



US00D607095S

(12) **United States Design Patent**
LeMay et al.

(10) **Patent No.:** **US D607,095 S**

(45) **Date of Patent:** **** Dec. 29, 2009**

(54) **DESKTOP DIFFUSER**

(75) Inventors: **Frank A. LeMay**, Sugar Creek, MO
(US); **Pedro J. Bermudez**, Olathe, KS
(US)

(73) Assignee: **Walnut Manufacturing LLC**, Kansas
City, KS (US)

(**) Term: **14 Years**

(21) Appl. No.: **29/344,011**

(22) Filed: **Sep. 22, 2009**

(51) **LOC (9) Cl.** **28-99**

(52) **U.S. Cl.** **D23/366**

(58) **Field of Classification Search** D23/355-369;
D28/5, 6; 261/DIG. 17, DIG. 42, DIG. 65,
261/DIG. 88, DIG. 89; 392/386, 390, 391,
392/392, 394, 395, 389, 393; 239/34, 35,
239/43-45, 53, 56, 57, 60, 326, 42, 50, 55

See application file for complete search history.

(56) **References Cited**

U.S. PATENT DOCUMENTS

D212,753 S *	11/1968	Tughan	D23/369
D254,930 S *	5/1980	Mandon et al.	D23/369
D254,931 S *	5/1980	Mandon et al.	D23/369
D255,263 S *	6/1980	Mandon et al.	D23/369
D323,383 S *	1/1992	Keays et al.	D23/366
D400,973 S *	11/1998	Hall et al.	D23/365
D431,075 S *	9/2000	Barraclough	D23/366
D441,441 S *	5/2001	Upton	D23/366
D443,924 S *	6/2001	Renella	D23/366
D490,886 S *	6/2004	Engerant	D23/366

D491,257 S *	6/2004	Picken, Jr.	D23/366
D493,515 S *	7/2004	Morillas	D23/366
D494,668 S *	8/2004	Morillas	D23/366
D497,423 S *	10/2004	Muir et al.	D23/366
D497,986 S *	11/2004	Morillas	D23/366
D498,836 S *	11/2004	Morillas	D23/366
D544,088 S *	6/2007	Wu	D23/368
D555,777 S *	11/2007	Aveldson et al.	D23/365
D583,037 S *	12/2008	Kenny	D23/366
D585,129 S *	1/2009	Huang	D23/366
D592,948 S *	5/2009	Mayer	D9/418
D596,731 S *	7/2009	Garcia Fabrega et al.	..	D23/366

* cited by examiner

Primary Examiner—Sandra Snapp

(74) *Attorney, Agent, or Firm*—Shook, Hardy & Bacon L.L.P.

(57) **CLAIM**

The ornamental design for a desktop diffuser, as shown and described.

DESCRIPTION

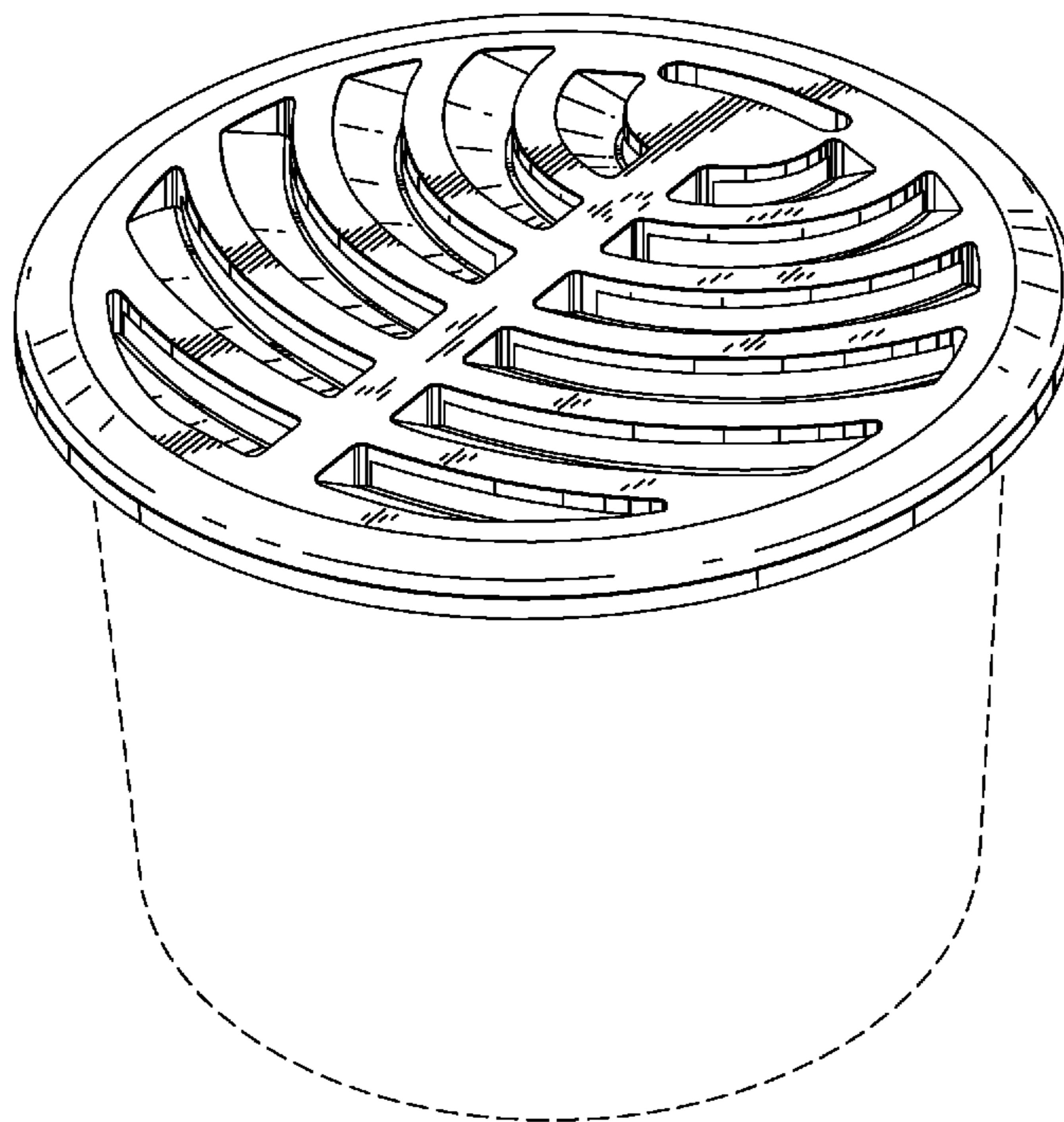
FIG. 1 is a top front perspective view of a desktop diffuser of the present invention;

FIG. 2 is a front side elevational view thereof, with left side, right side, and back side elevational views thereof being a mirror image of the front side elevational view; and,

FIG. 3 is a top plan view thereof.

A bottom plan view has been omitted as it does not form a portion of the claimed design. The broken lines shown in the drawings are directed to environment, are for informational purposes only, and form no part of the claimed design.

1 Claim, 2 Drawing Sheets



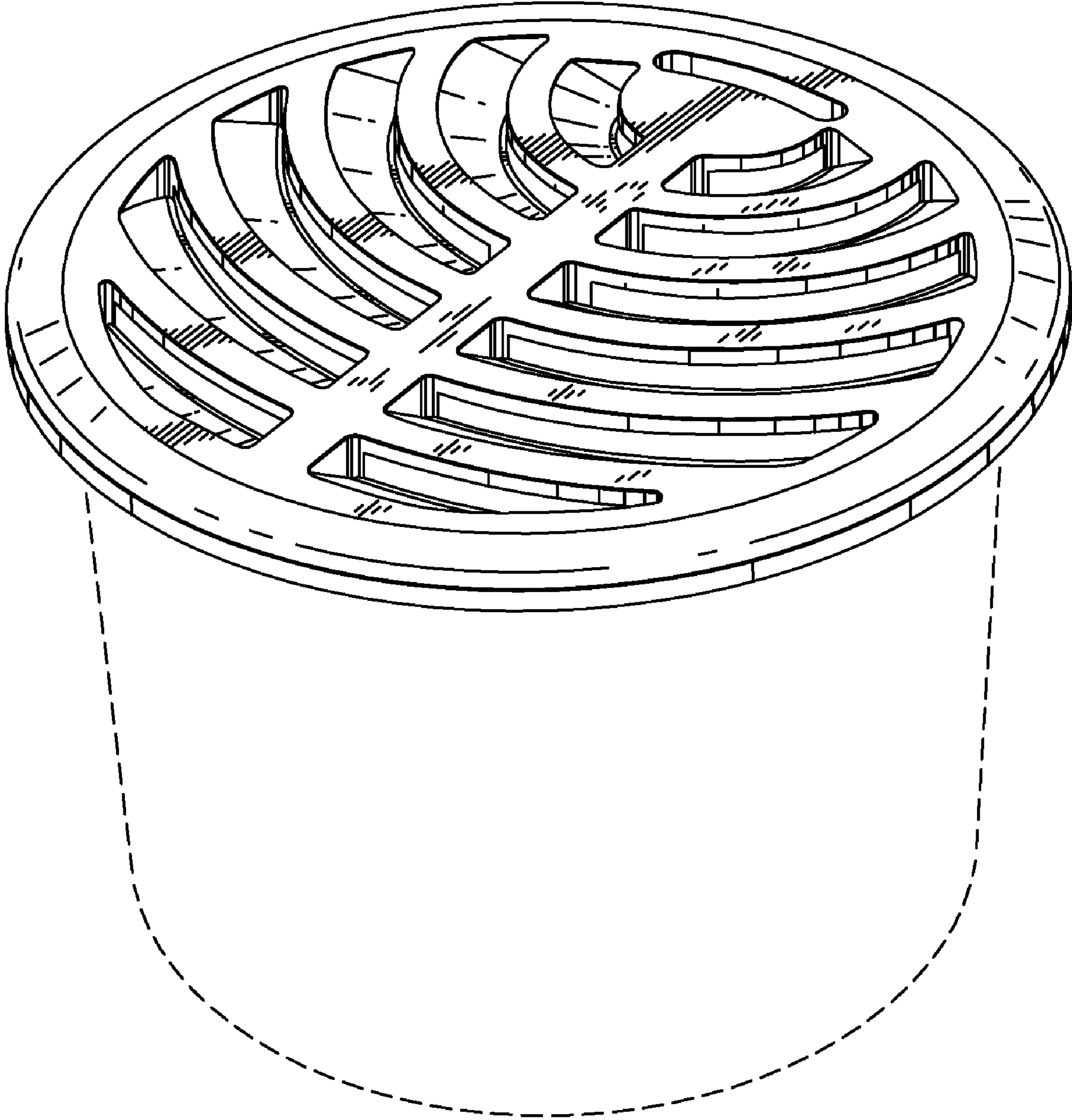


FIG. 1.

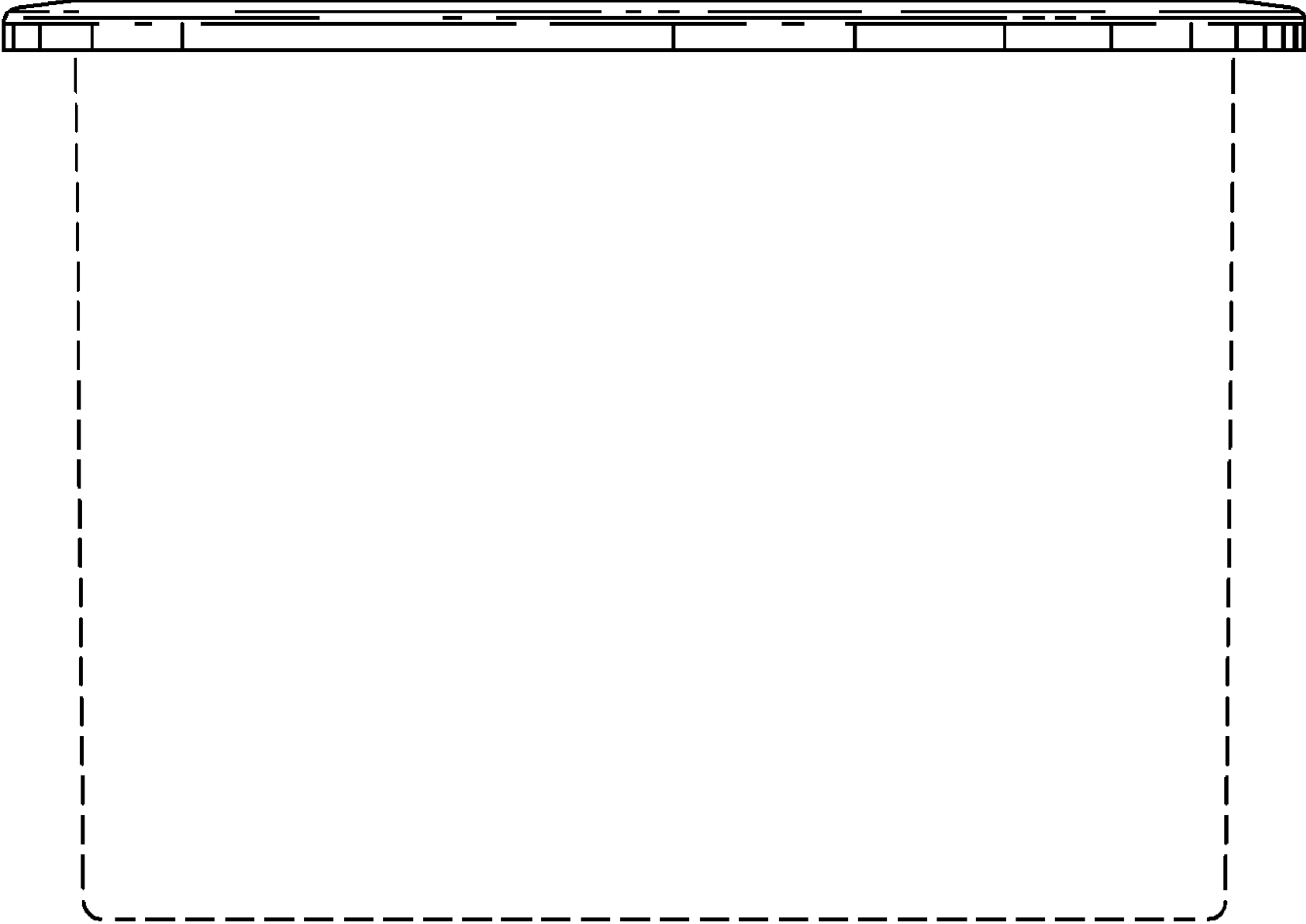


FIG. 2.

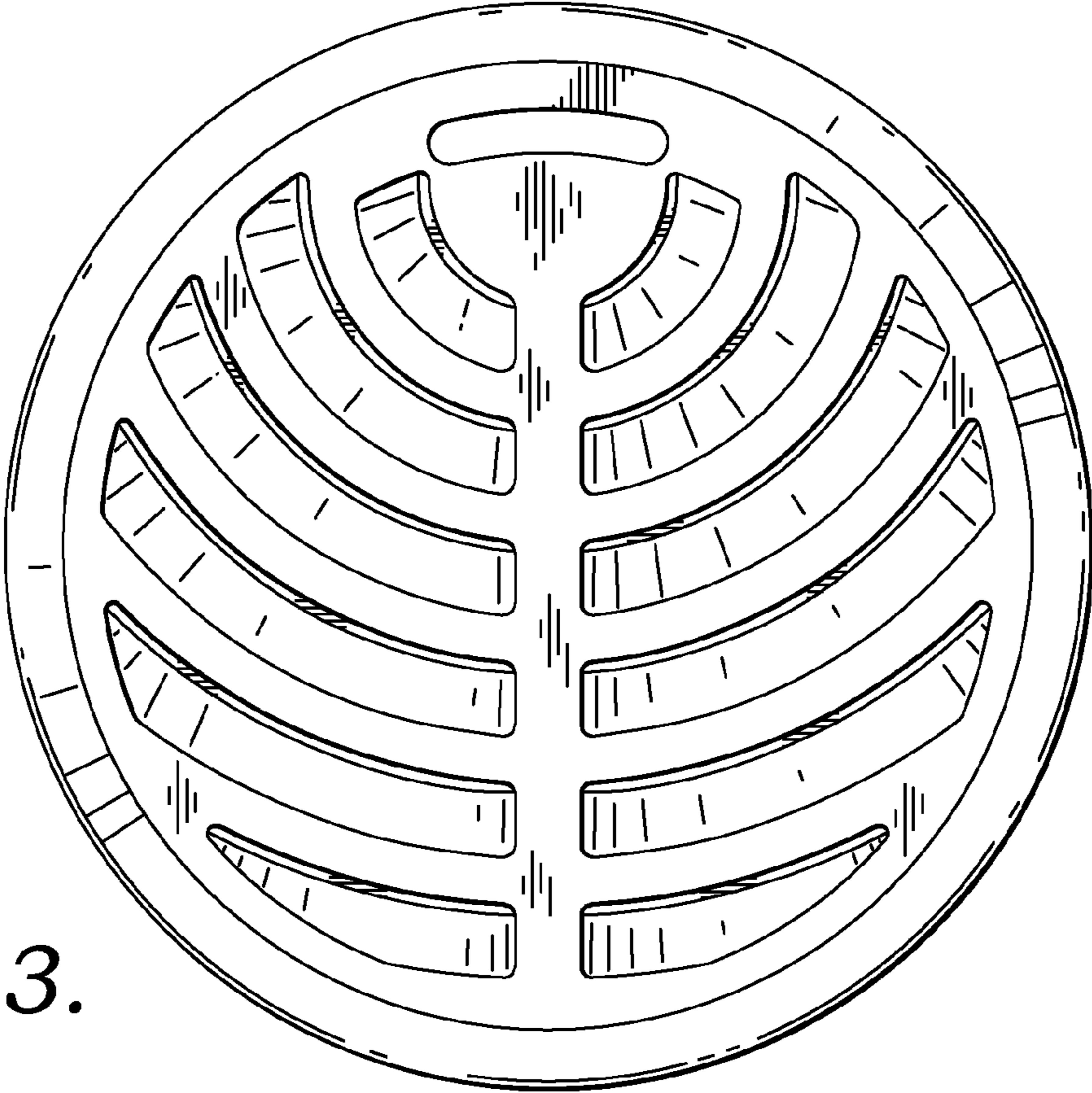


FIG. 3.