

US00D607094S

(12) **United States Design Patent**
Tanbour

(10) **Patent No.:** **US D607,094 S**

(45) **Date of Patent:** **** Dec. 29, 2009**

(54) **AIR INTAKE FOR A WATER HEATER**

D388,868 S * 1/1998 Vago et al. D23/318
D400,971 S * 11/1998 Vago et al. D23/318
6,578,530 B1 * 6/2003 Rodriguez et al. 122/13.01

(75) Inventor: **Emadeddin Y. Tanbour**, Johnson City,
TN (US)

* cited by examiner

(73) Assignee: **AOS Holding Company**, Wilmington,
DE (US)

Primary Examiner—T. Chase Nelson
Assistant Examiner—Ania K Dworzecka

(**) Term: **14 Years**

(74) *Attorney, Agent, or Firm*—Michael Best & Friedrich
LLP

(21) Appl. No.: **29/336,185**

(57) **CLAIM**

(22) Filed: **Apr. 29, 2009**

I claim the ornamental design for an air intake for a water heater, as shown and described.

Related U.S. Application Data

DESCRIPTION

(63) Continuation-in-part of application No. 11/865,378,
filed on Oct. 1, 2007.

FIG. 1 is a perspective view of an air intake according to the present invention.

(51) **LOC (9) Cl.** **23-03**

FIG. 2 is a perspective view of the air intake shown in FIG. 1.

(52) **U.S. Cl.** **D23/322**

FIG. 3 is a front view of the air intake shown in FIG. 1.

(58) **Field of Classification Search** D23/318,
D23/322, 319, 320, 321, 334; 126/361, 65 R;
122/13.2, 14, 15, 19.2, 13.01; 392/449, 451,
392/454

FIG. 4 is a rear view of the air intake shown in FIG. 1.

See application file for complete search history.

FIG. 5 is a left side view of the air intake shown in FIG. 1.

FIG. 6 is a right side view of the air intake shown in FIG. 1.

FIG. 7 is a top view of the air intake shown in FIG. 1; and,

FIG. 8 is a bottom view of the air intake shown in FIG. 1.

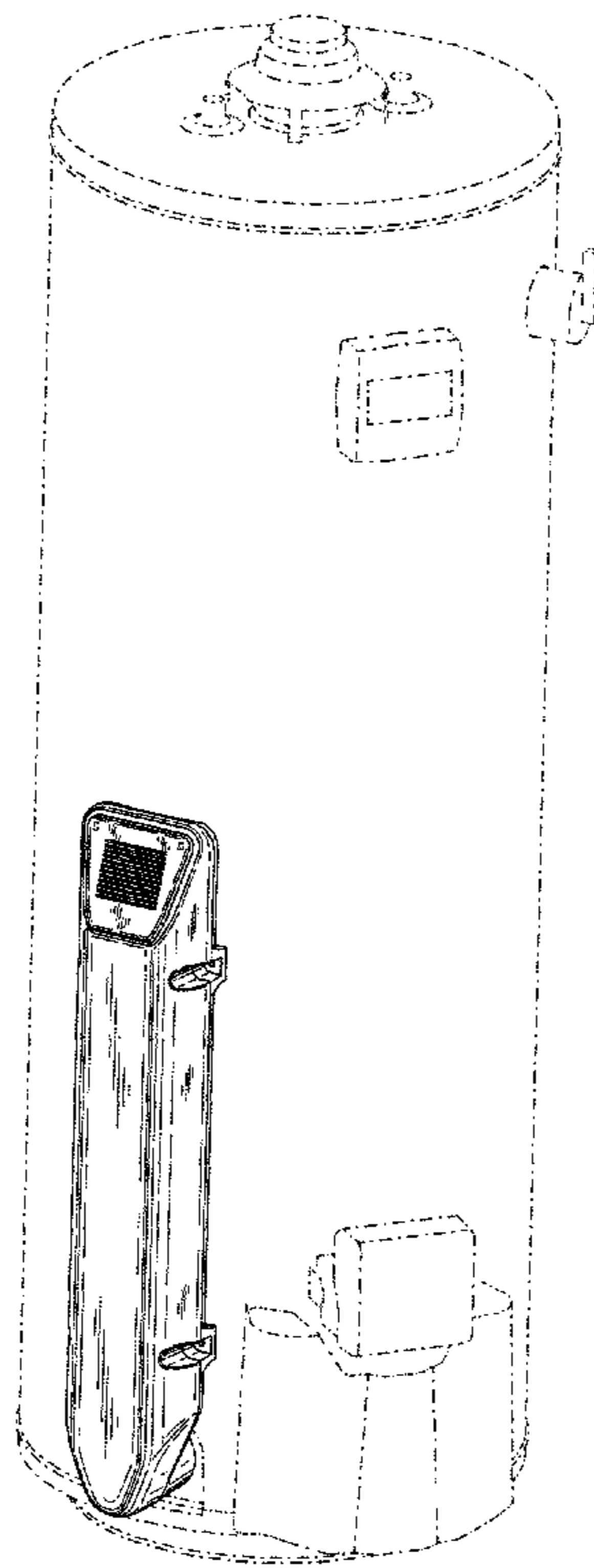
(56) **References Cited**

The present application is directed to the shape and contour of the design illustrated in the drawings. The broken line showing of the environment is for illustrative purposes only and forms no part of the claimed design.

U.S. PATENT DOCUMENTS

D108,706 S * 3/1938 Sands D23/318
D137,145 S * 1/1944 Koppel D23/320
D285,834 S * 9/1986 Morgan D23/373
D300,352 S * 3/1989 Ronvik D23/318
5,697,330 A * 12/1997 Yetman et al. 122/14.21

1 Claim, 7 Drawing Sheets



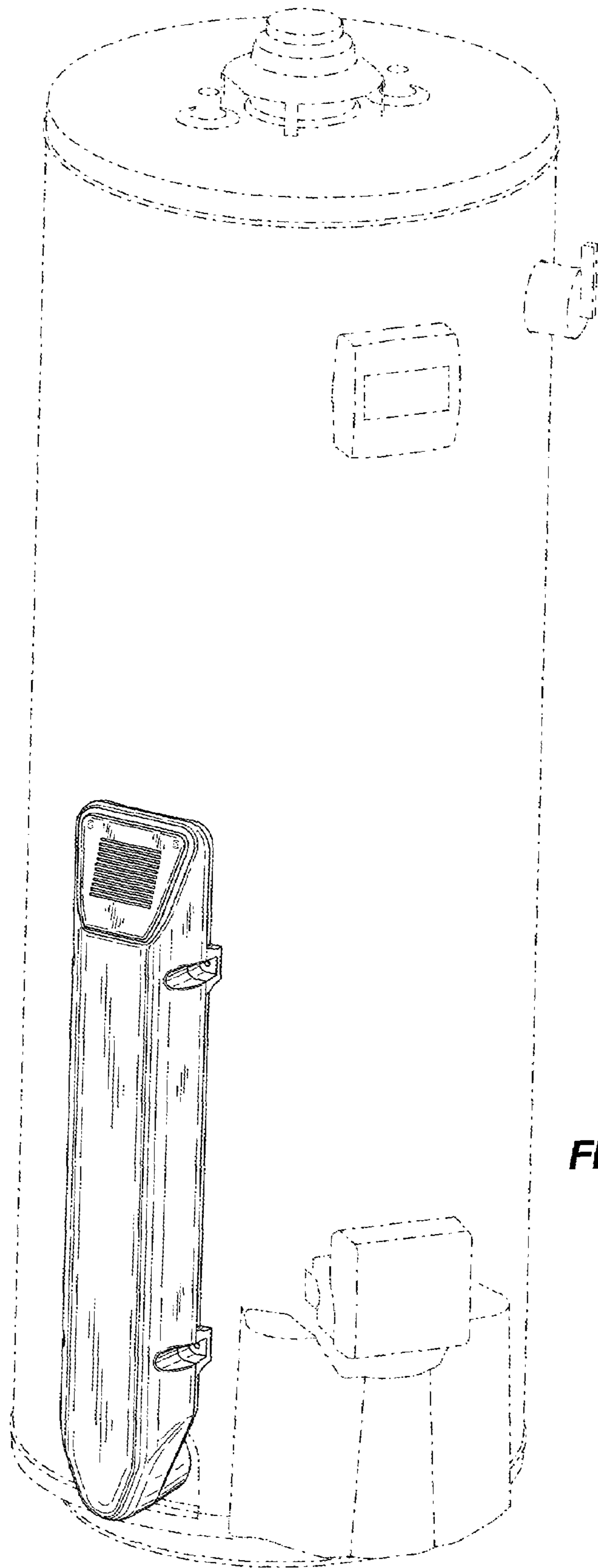


FIG. 1

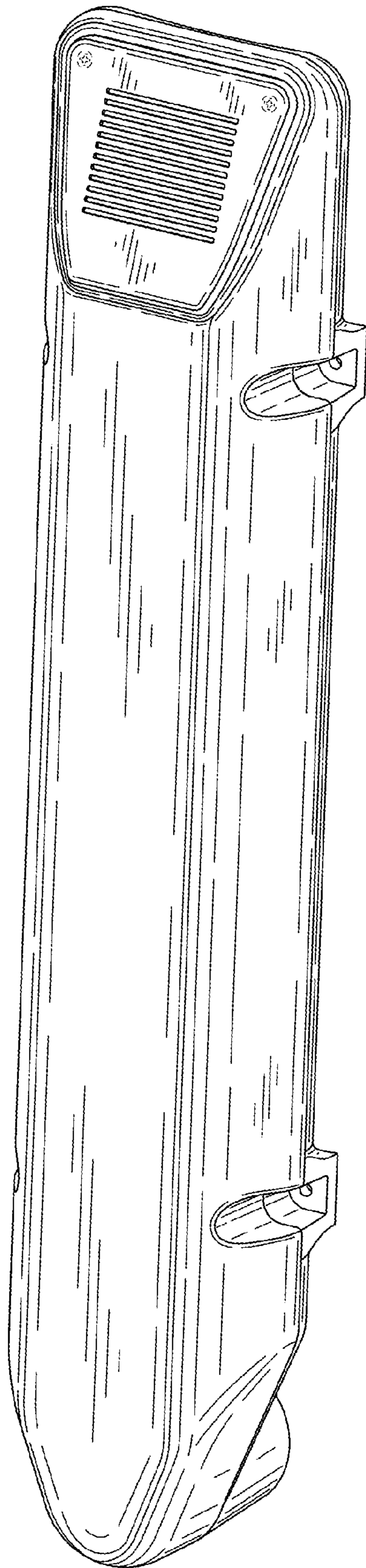


FIG. 2

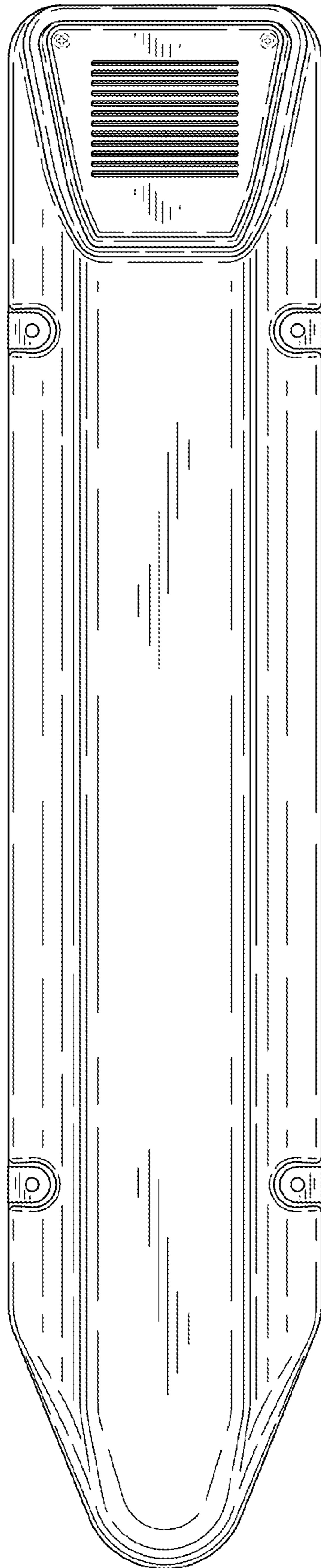


FIG. 3

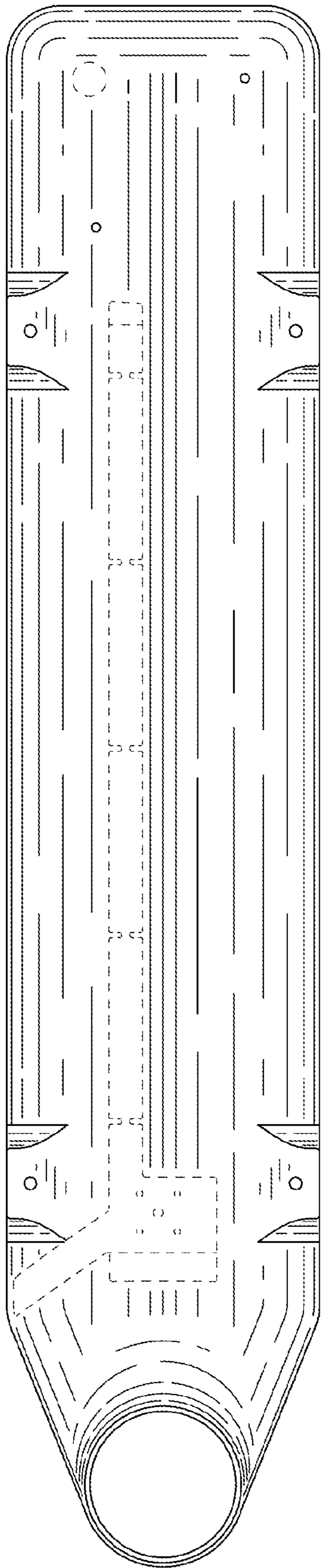


FIG. 4

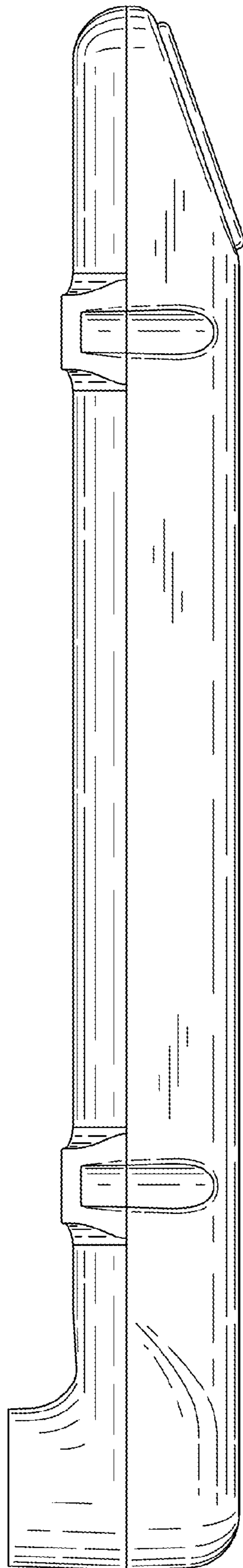


FIG. 5

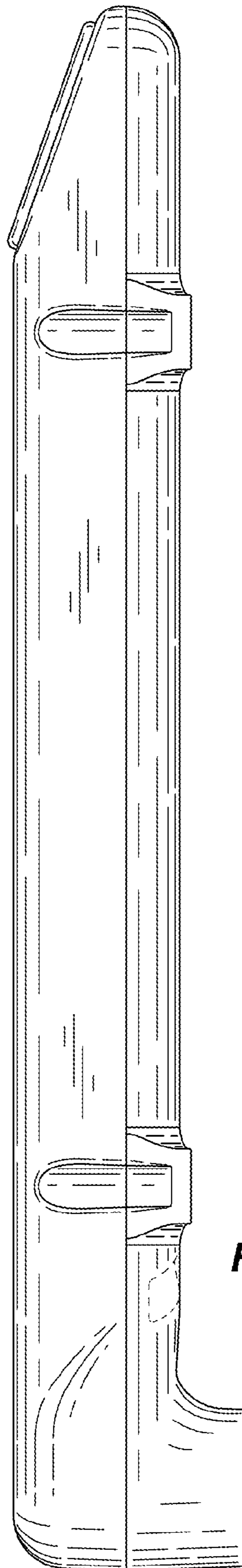


FIG. 6

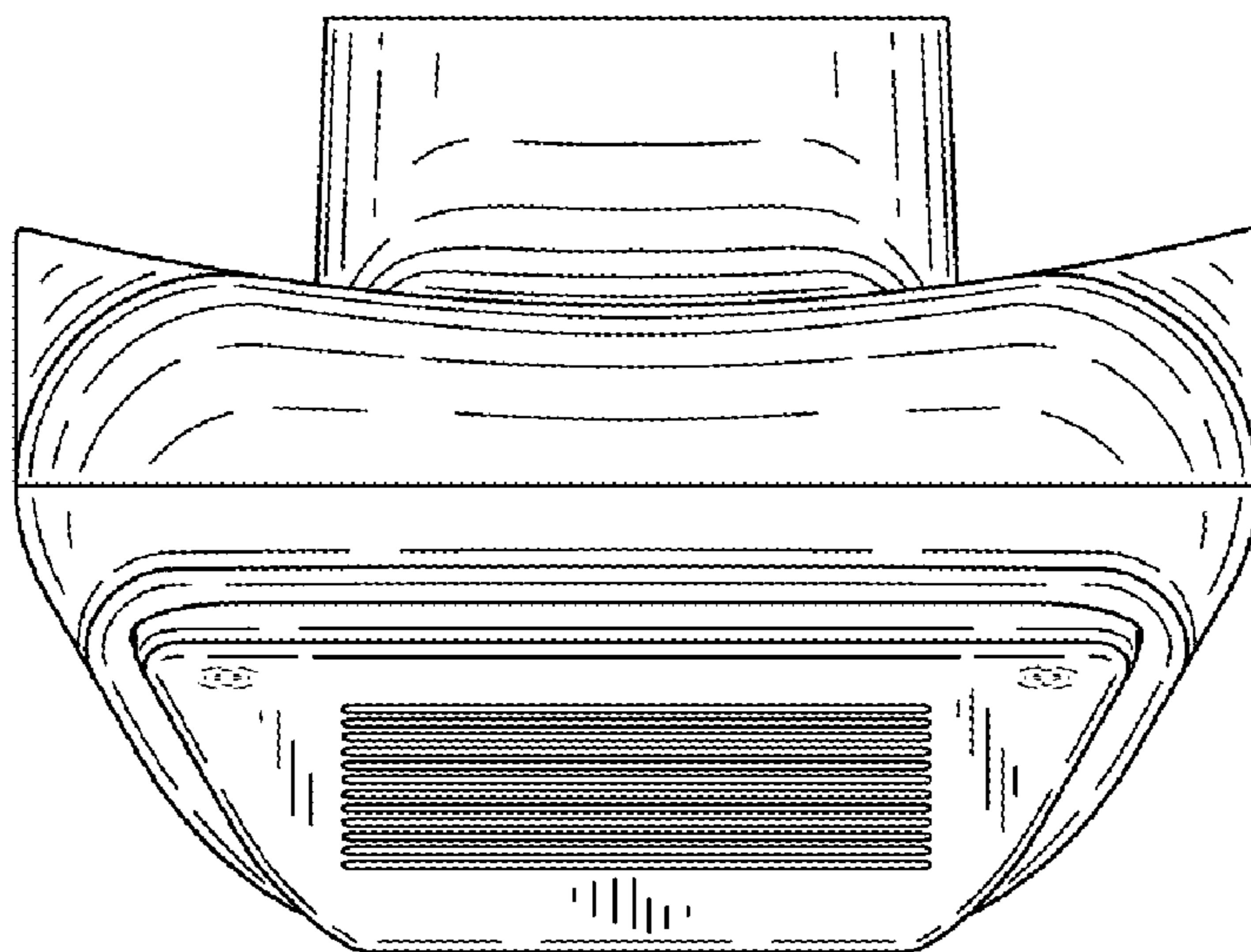


FIG. 7

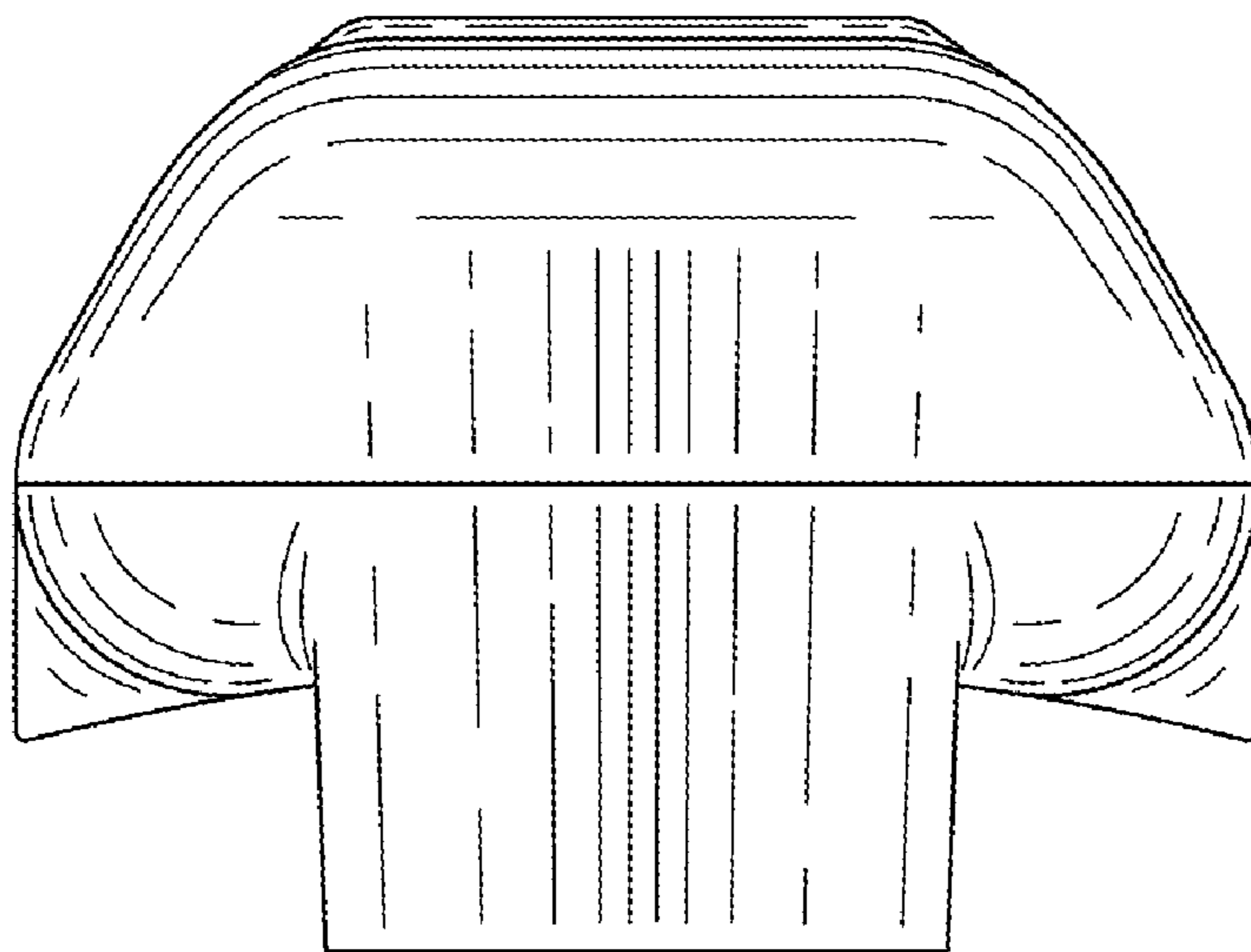


FIG. 8