



US00D607093S

(12) **United States Design Patent**
Yañez

(10) **Patent No.:** **US D607,093 S**

(45) **Date of Patent:** **** Dec. 29, 2009**

(54) **RADIATOR FOR HEATING**

(75) Inventor: **Jose Luis Martinez Yañez**, La Felguera (ES)

(73) Assignee: **Ingenieria Asturiana Termoelectronica, S.L.**, Asturias (ES)

(**) Term: **14 Years**

(21) Appl. No.: **29/329,447**

(22) Filed: **Dec. 15, 2008**

(51) **LOC (9) Cl.** **23-03**

(52) **U.S. Cl.** **D23/317; D23/332**

(58) **Field of Classification Search** D23/317, D23/314, 332, 333, 334, 335, 337, 342, 351, D23/355, 378, 370, 381, 364, 336, 341; 416/244 R, 416/247 R, 53.1-53.3; 392/365, 367
See application file for complete search history.

(56) **References Cited**

U.S. PATENT DOCUMENTS

D178,926 S *	10/1956	McEigin	D23/328
2,815,585 A *	12/1957	Thompson	34/621
D195,447 S *	6/1963	Ware	D23/389
D204,838 S *	5/1966	Allender et al.	D23/351
D224,224 S *	7/1972	Mango	D23/335
D224,226 S *	7/1972	Mango	D23/335
D224,227 S *	7/1972	Mango	D23/335
4,227,068 A *	10/1980	Carter	392/370
4,307,284 A *	12/1981	Perron	392/355
D278,848 S *	5/1985	Hoyle	D23/354
4,760,243 A *	7/1988	Tedioli	392/366
D311,951 S *	11/1990	Dubin	D23/335

D401,315 S *	11/1998	Boyle et al.	D23/335
D437,397 S *	2/2001	Ching	D23/335
D464,413 S *	10/2002	Shapiro et al.	D23/335
6,965,731 B2 *	11/2005	Huang et al.	392/373
D549,309 S *	8/2007	Stephant	D23/342
2005/0078952 A1 *	4/2005	Bain et al.	392/360

FOREIGN PATENT DOCUMENTS

ES D0506440-01 8/2008

* cited by examiner

Primary Examiner—T. Chase Nelson

Assistant Examiner—Ania K Dworzecka

(74) *Attorney, Agent, or Firm*—Bruzga & Associates; Charles E. Bruzga

(57) **CLAIM**

The ornamental design for a radiator for heating, as shown.

DESCRIPTION

FIG. 1 is a front, top perspective view of the radiator for heating showing our new design;

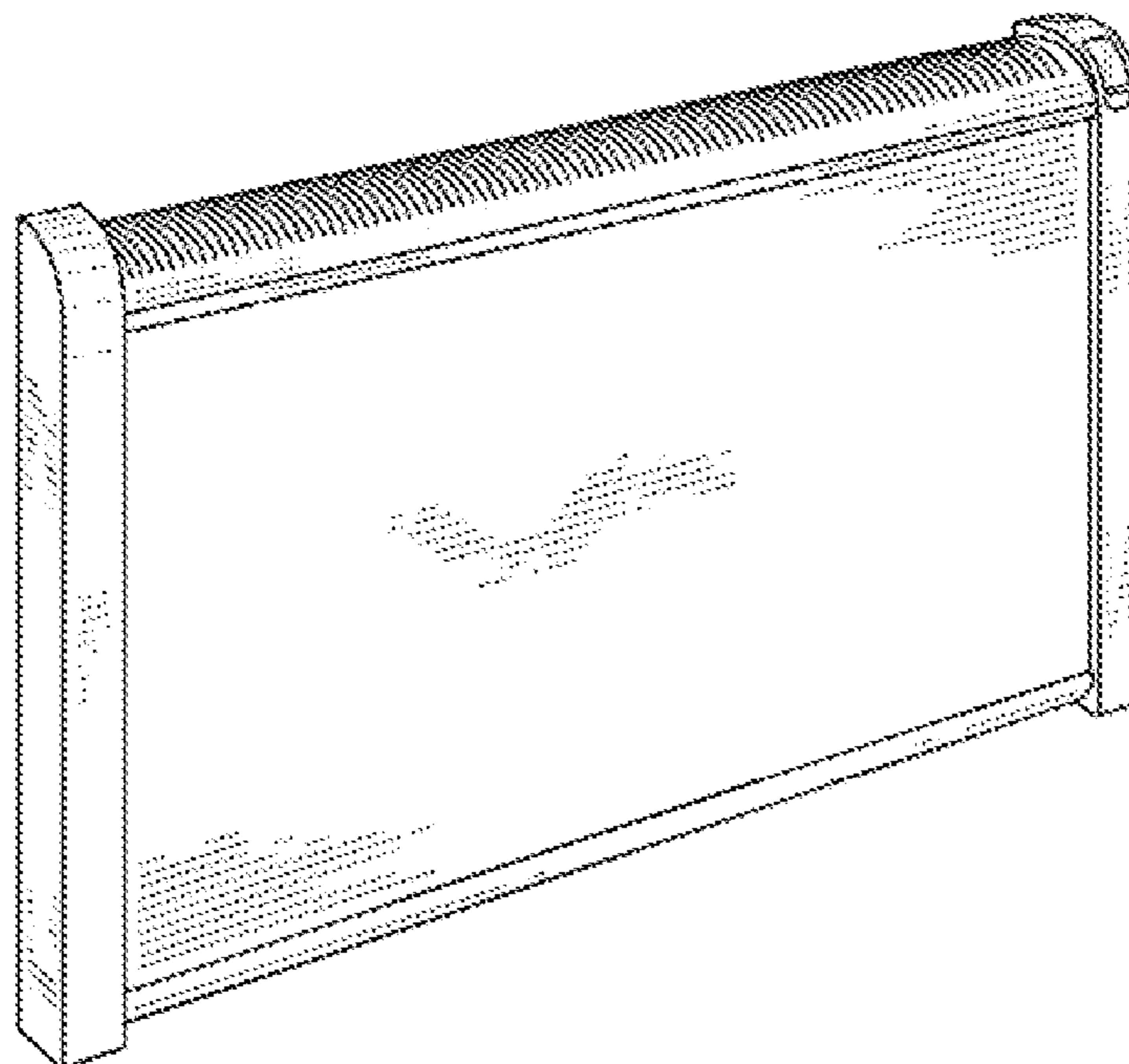
FIG. 2 is a front perspective view of the radiator for heating showing our new design;

FIG. 3 is a front perspective view of the radiator for heating having a dash-lined circle enclosing in area the radiator for heating to be enlarged in FIG. 4; and,

FIG. 4 is an enlarged top perspective view of the circled area shown in FIG. 3.

In the drawings, the broken lines shown in FIG. 4 depict environmental subject matter only and form no part of the claimed design.

1 Claim, 2 Drawing Sheets



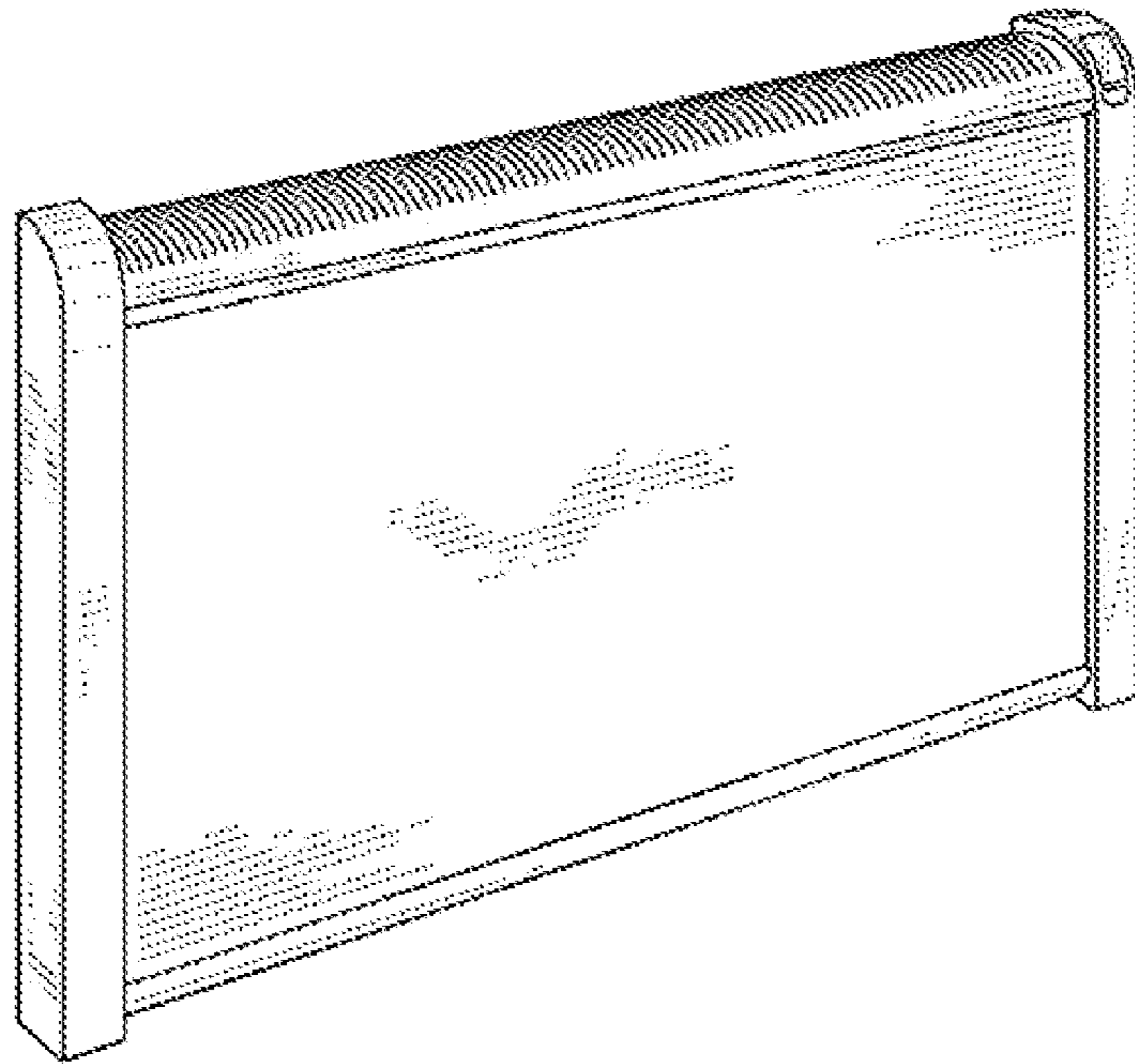


FIG. 1

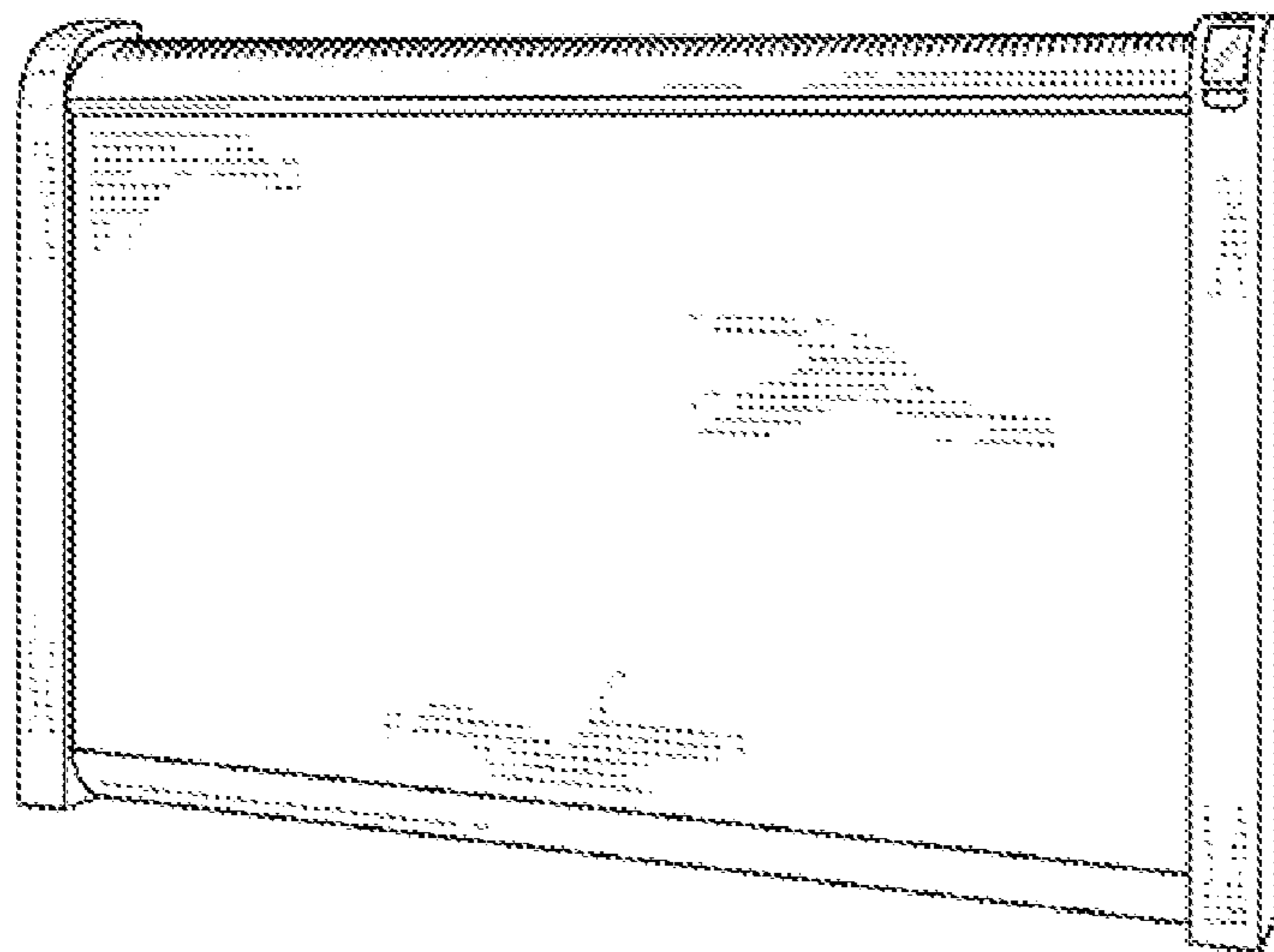


FIG. 2

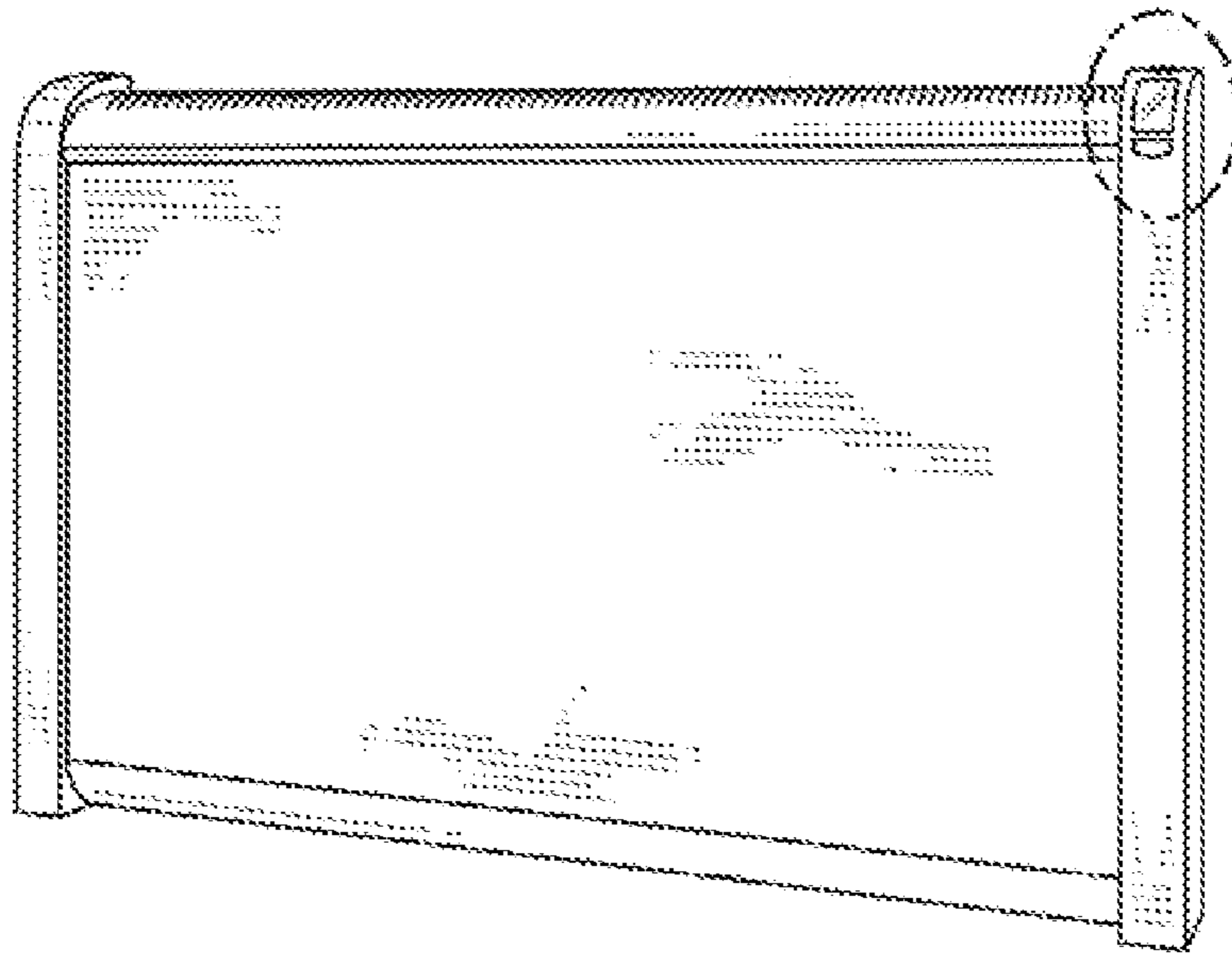


FIG. 3

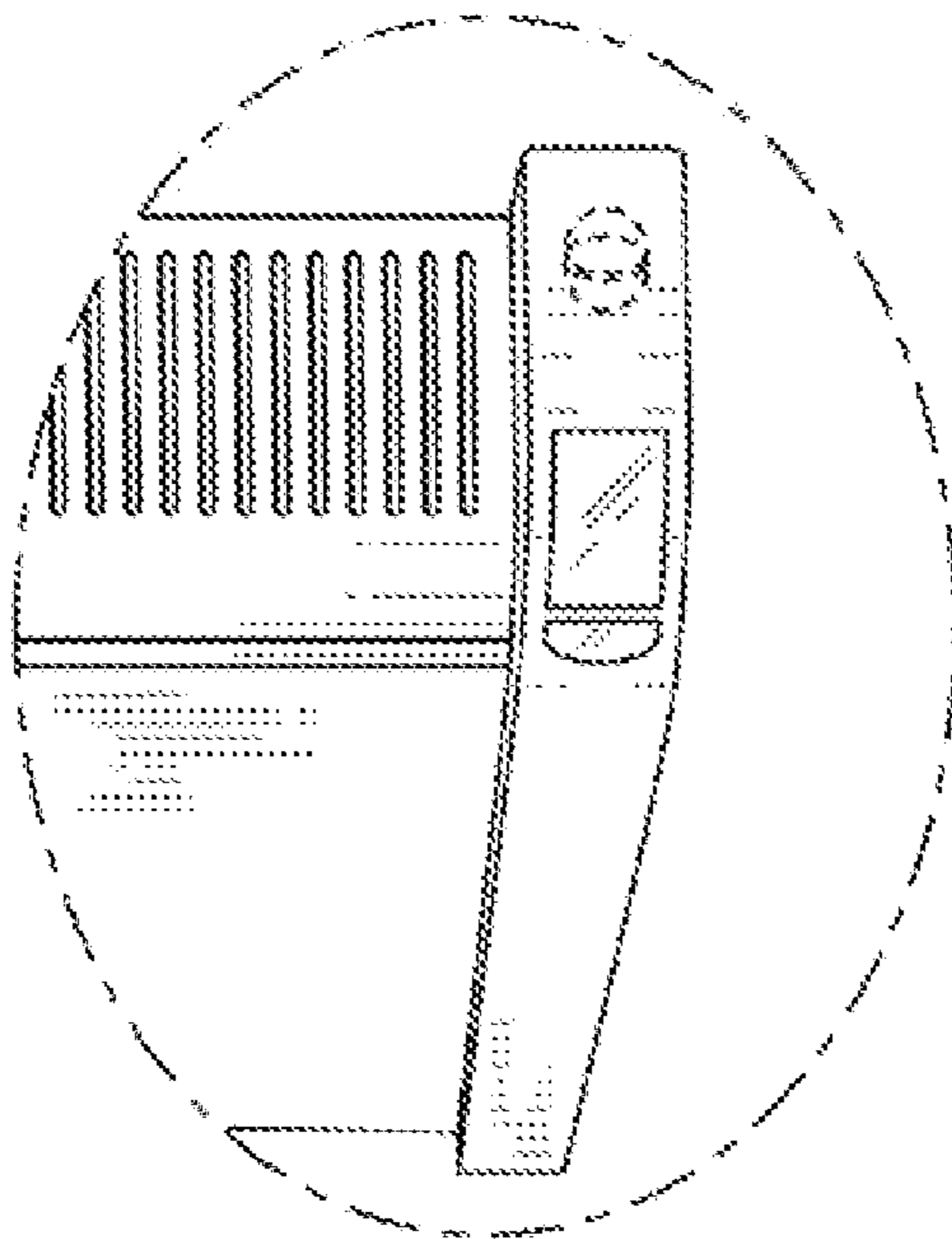


FIG. 4