



US00D607092S

(12) **United States Design Patent**  
**Cahill et al.**

(10) **Patent No.:** **US D607,092 S**

(45) **Date of Patent:** **\*\* Dec. 29, 2009**

(54) **LAVATORY SYSTEM**

D492,015 S \* 6/2004 Kergoet ..... D23/293.1  
D532,877 S \* 11/2006 Hisey ..... D23/304

(75) Inventors: **Michael Cahill**, Santa Fe, NM (US);  
**Michael Zimmer**, Santa Fe, NM (US)

\* cited by examiner

(73) Assignee: **Stone Forest, Inc.**, Santa Fe, NM (US)

*Primary Examiner*—Robert A Delehanty

(\*\*) Term: **14 Years**

(74) *Attorney, Agent, or Firm*—Janeen Vilven; Peacock Myers, P.C.

(21) Appl. No.: **29/335,211**

(57) **CLAIM**

(22) Filed: **Apr. 10, 2009**

The ornamental design for the lavatory system, as shown and described.

(51) **LOC (9) Cl.** ..... **23-02**

(52) **U.S. Cl.** ..... **D23/284**

(58) **Field of Classification Search** ..... D23/284–287,  
D23/290–293.1, 308; 4/619, 637, 639–640,  
4/642

See application file for complete search history.

**DESCRIPTION**

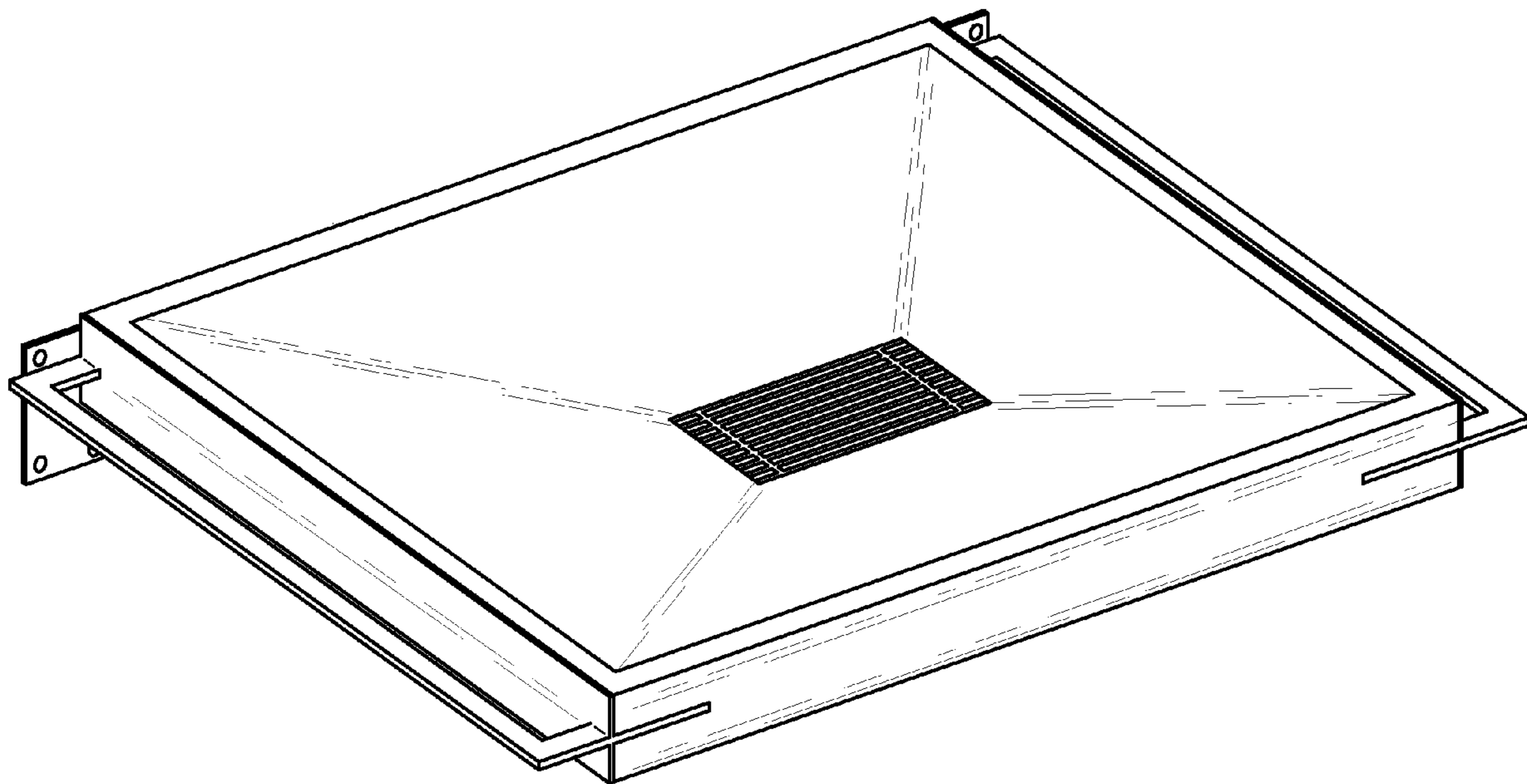
(56) **References Cited**

**U.S. PATENT DOCUMENTS**

456,067 A \* 7/1891 Seymour ..... 4/637  
2,035,000 A \* 3/1936 Swain ..... 4/642  
D472,966 S \* 4/2003 Molinaro ..... D23/308  
D473,293 S \* 4/2003 Piatt ..... D23/293.1

FIG. 1 is a perspective view of the claimed design;  
FIG. 2 is a bottom perspective view of the claimed design;  
FIG. 3 is a top view of the claimed design;  
FIG. 4 is a bottom view of the claimed design;  
FIG. 5 is a front view of the claimed design;  
FIG. 6 is a back view of the claimed design; and,  
FIG. 7 is a right side view of the claimed design with the left side being the same.

**1 Claim, 4 Drawing Sheets**



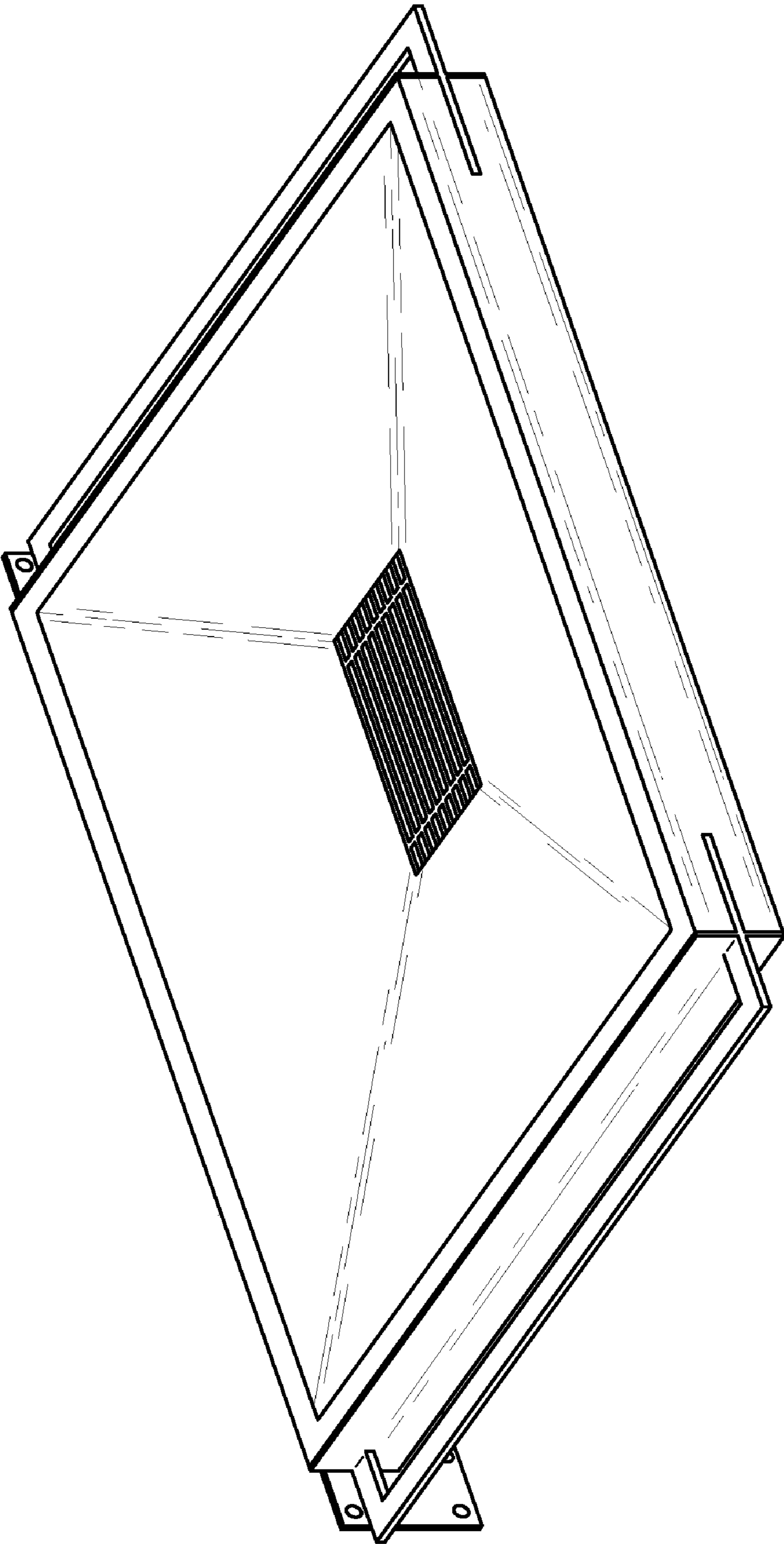


FIG. 1

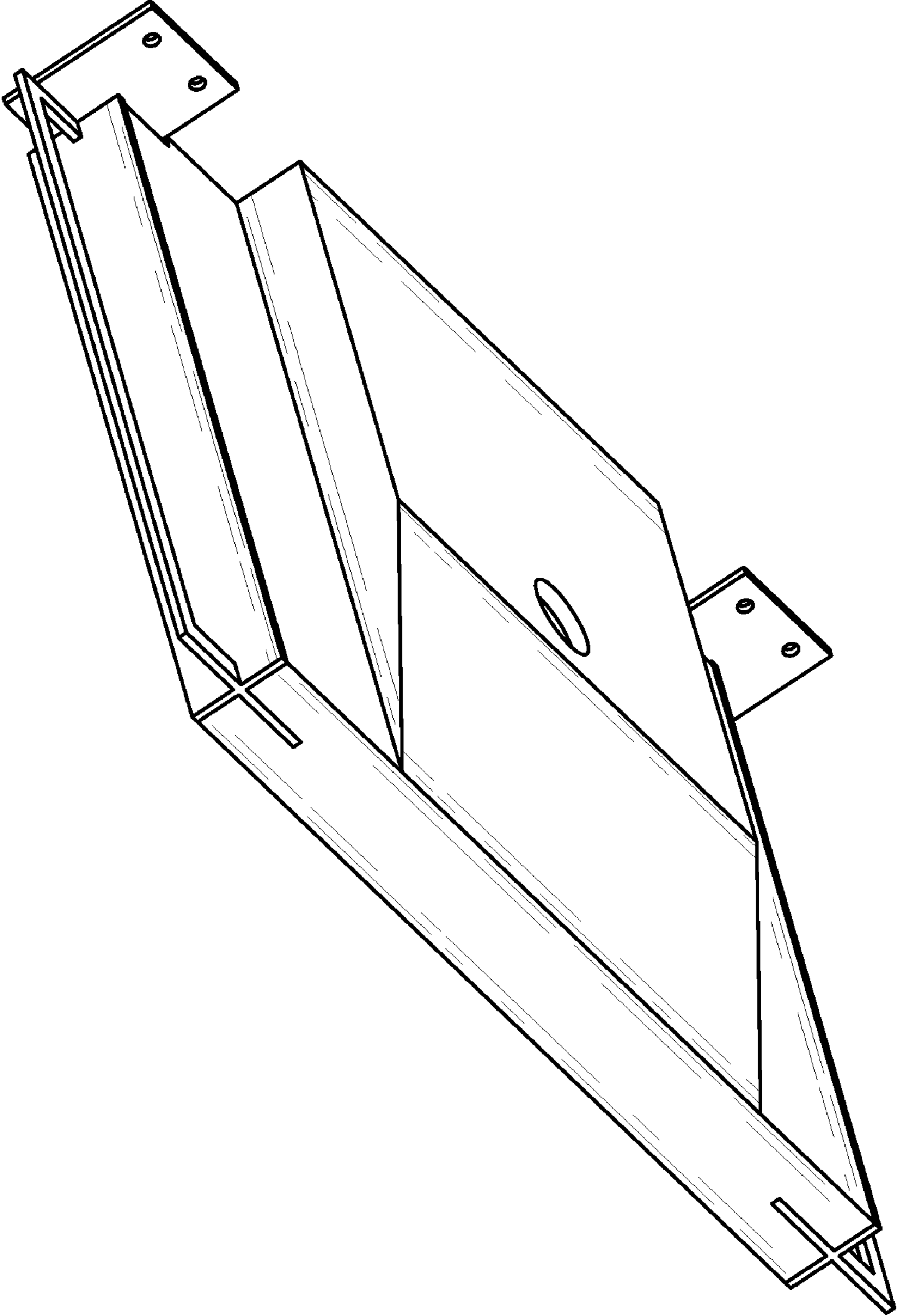
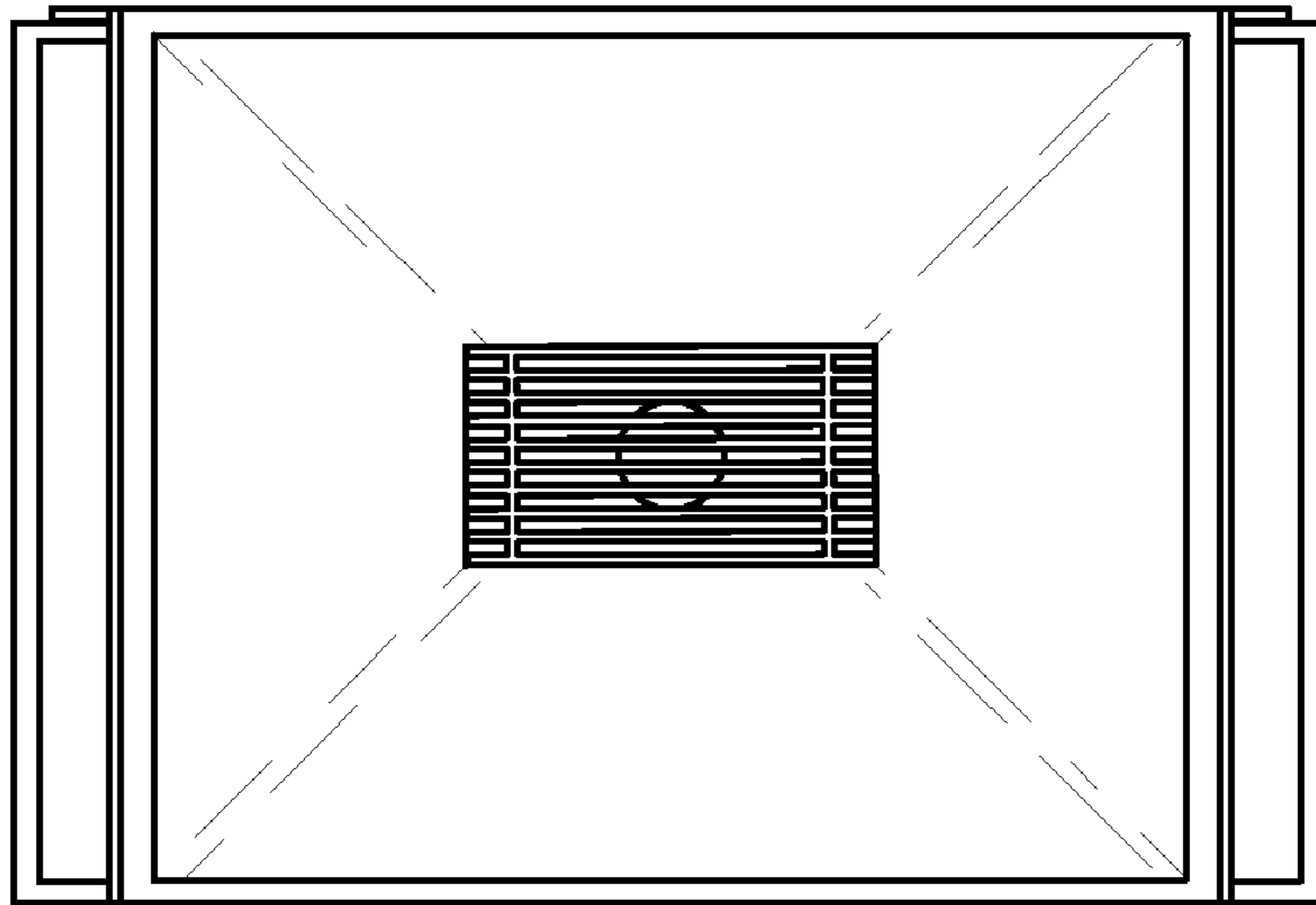
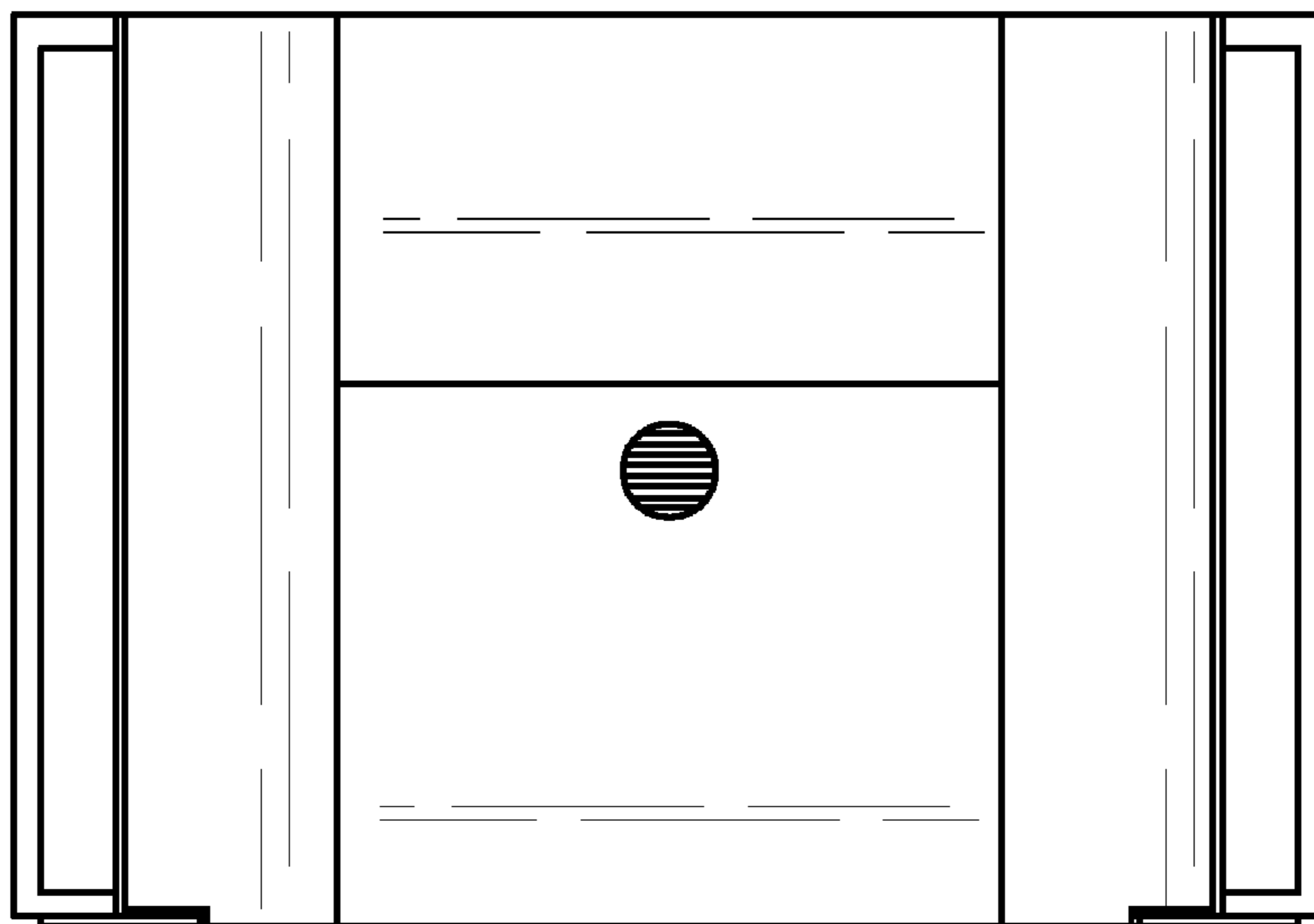


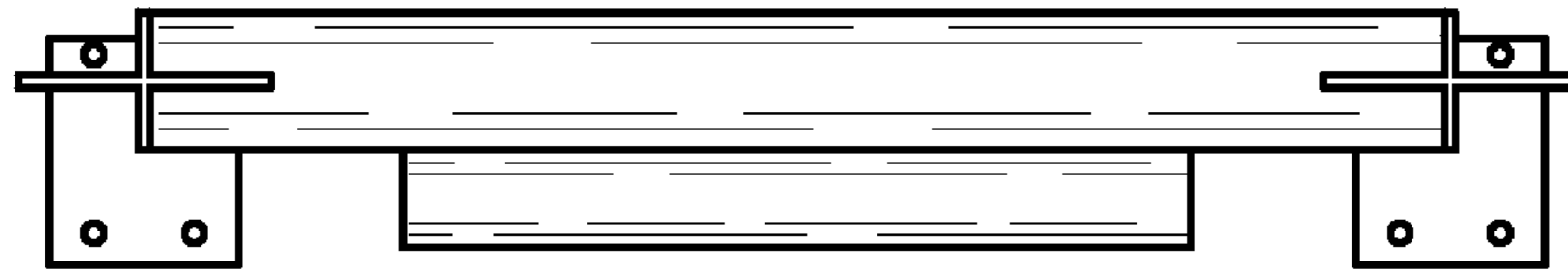
FIG. 2



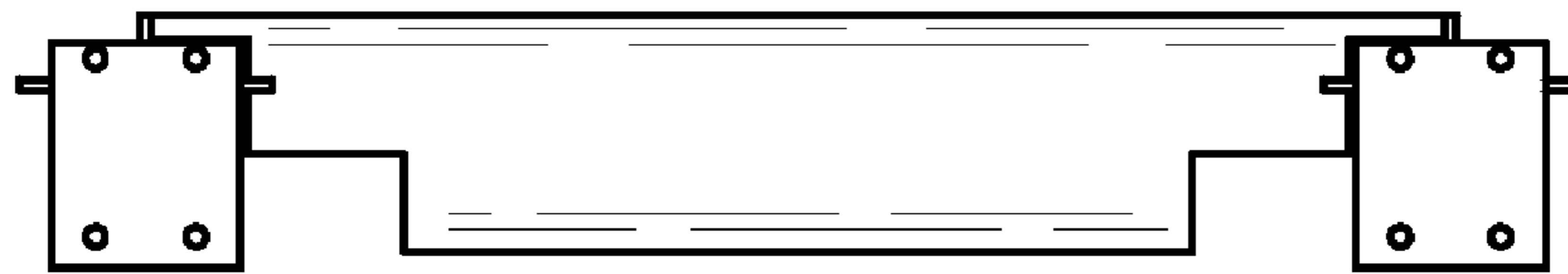
**FIG. 3**



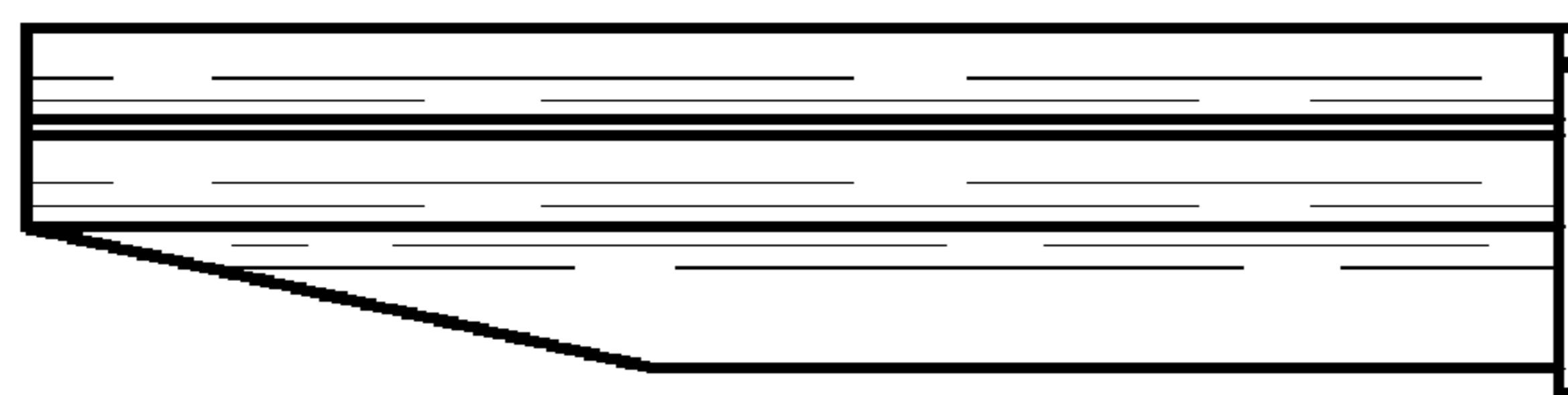
**FIG. 4**



**FIG. 5**



**FIG. 6**



**FIG. 7**