



US00D607088S

(12) **United States Design Patent**
Lammel et al.

(10) **Patent No.:** **US D607,088 S**

(45) **Date of Patent:** **** Dec. 29, 2009**

(54) **MIXING TAP**

(75) Inventors: **Michael Lammel**, Aachen (DE);
Michael Zeisel, Aachen (DE)

(73) Assignee: **Hansa Metallwerke AG** (DE)

(**) Term: **14 Years**

(21) Appl. No.: **29/325,865**

(22) Filed: **Oct. 7, 2008**

(30) **Foreign Application Priority Data**

Apr. 8, 2008 (EM) 000910369-0001

(51) **LOC (9) Cl.** **23-01**

(52) **U.S. Cl.** **D23/242**

(58) **Field of Classification Search** D23/200,
D23/238-257; D6/512, 546, 550; D8/300,
D8/306-308, 310, 312, 321; 4/675-678;
137/801; 16/110.1, 441

See application file for complete search history.

(56) **References Cited**

U.S. PATENT DOCUMENTS

D273,512 S * 4/1984 Arnolds D23/242
D362,899 S * 10/1995 Jans D23/242
D466,982 S * 12/2002 Gerlach D23/241
D469,513 S * 1/2003 Marshall D23/242
D469,853 S * 2/2003 Ouyoung D23/242
D475,125 S * 5/2003 Marinov D23/243

D477,053 S * 7/2003 Schonherr et al. D23/242
D477,054 S * 7/2003 Schonherr et al. D23/242
D538,400 S * 3/2007 Miyamoto D23/241
D538,401 S * 3/2007 Miyamoto D23/241
D540,916 S * 4/2007 Toyohara D23/241

* cited by examiner

Primary Examiner—T. Chase Nelson

Assistant Examiner—Mark Cavanna

(74) *Attorney, Agent, or Firm*—Factor & Lake

(57) **CLAIM**

The ornamental design for mixing tap, as shown and described.

DESCRIPTION

This application is related to U.S. patent application Ser. Nos. 29/325,866, titled Mixing Tap; 29/325,869, titled Mixing Tap; 29/325,873, titled Mixing Tap; and, 29/325,878, titled Mixing Tap—all of which were simultaneously filed on Oct. 7, 2008.

FIG. 1 is a perspective view of a mixing tap showing our new design;

FIG. 2 is a front view thereof;

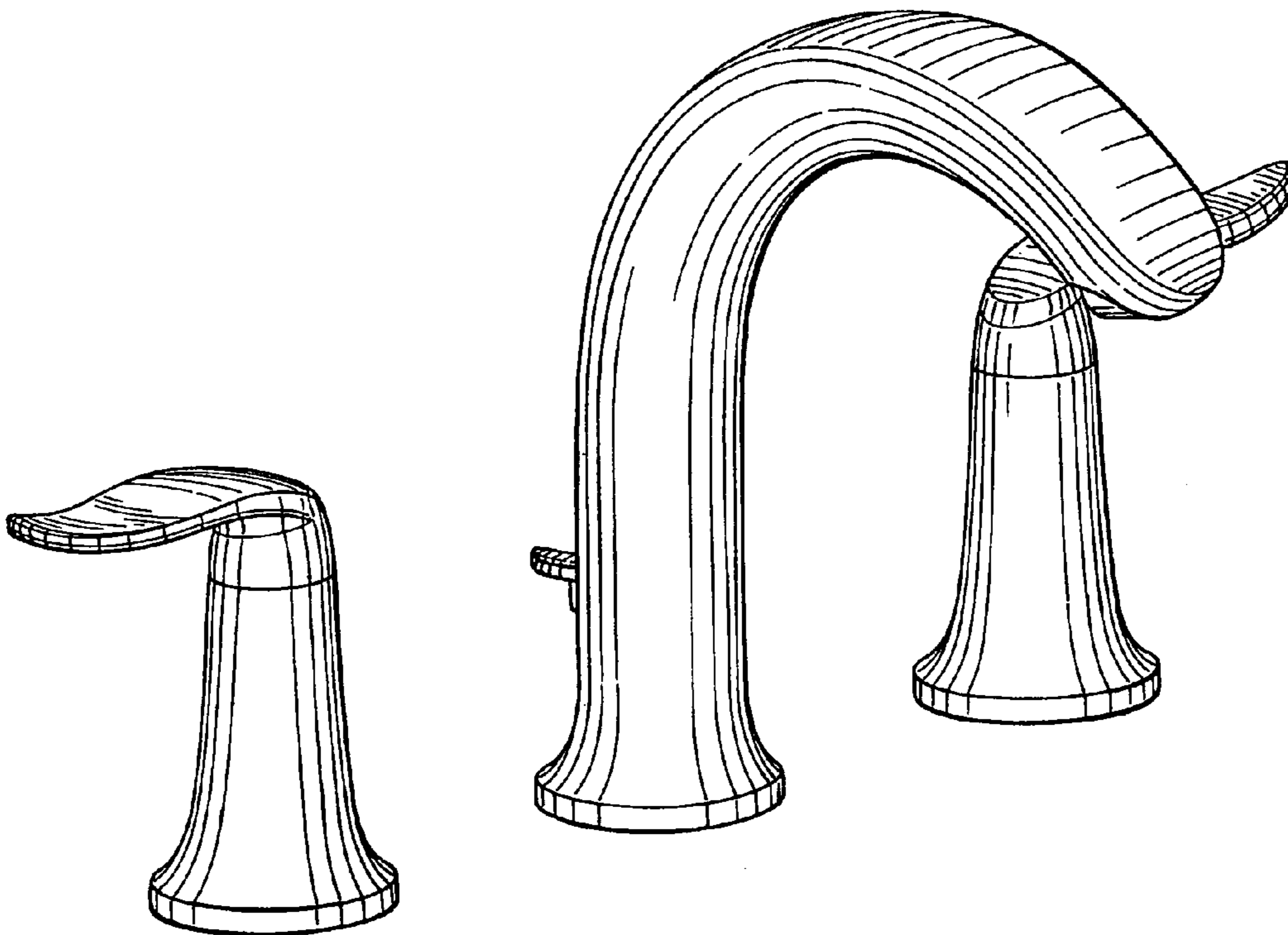
FIG. 3 is a rear view thereof;

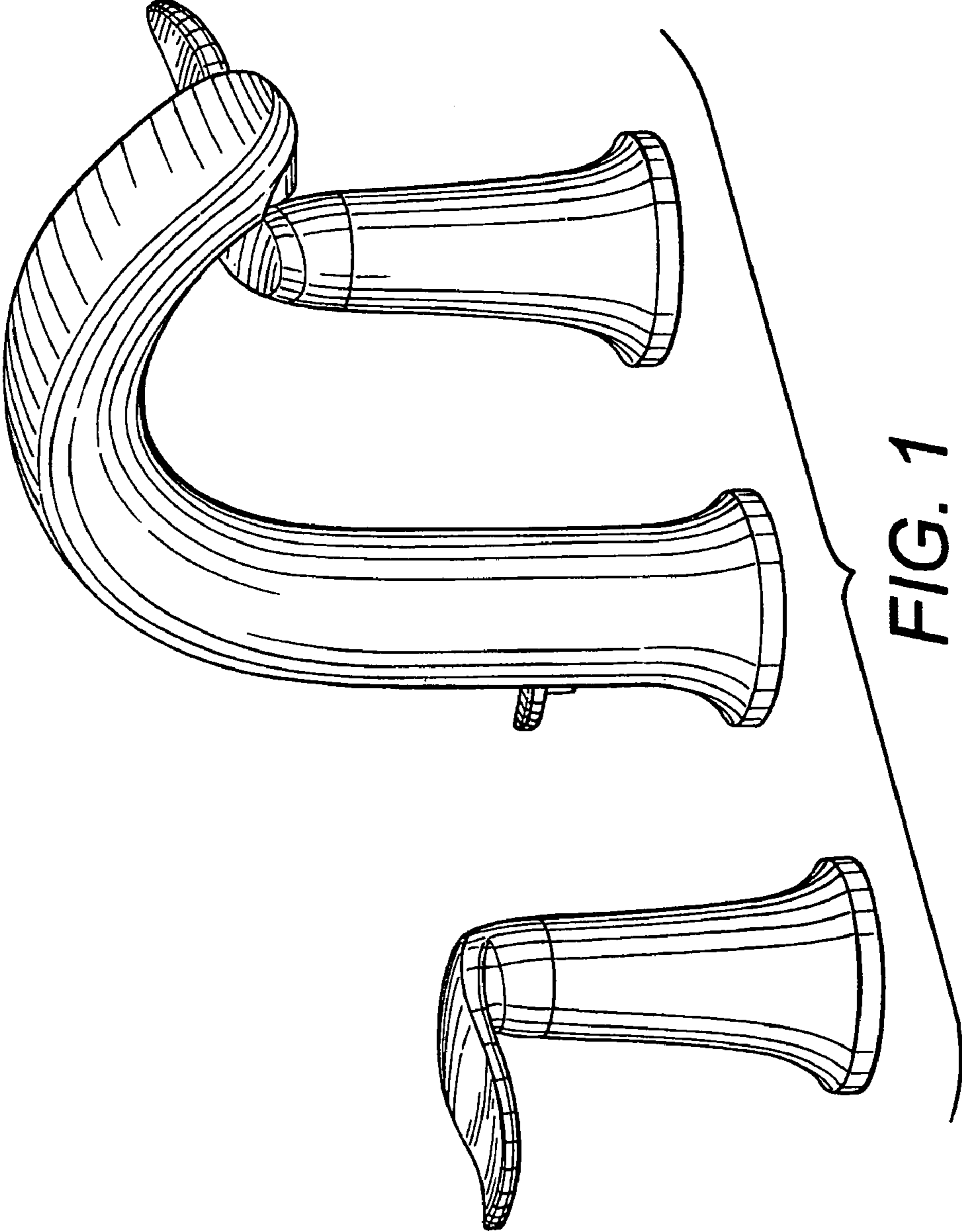
FIG. 4 is a left side view thereof;

FIG. 5 is a right side view thereof; and,

FIG. 6 is a top view thereof.

1 Claim, 5 Drawing Sheets





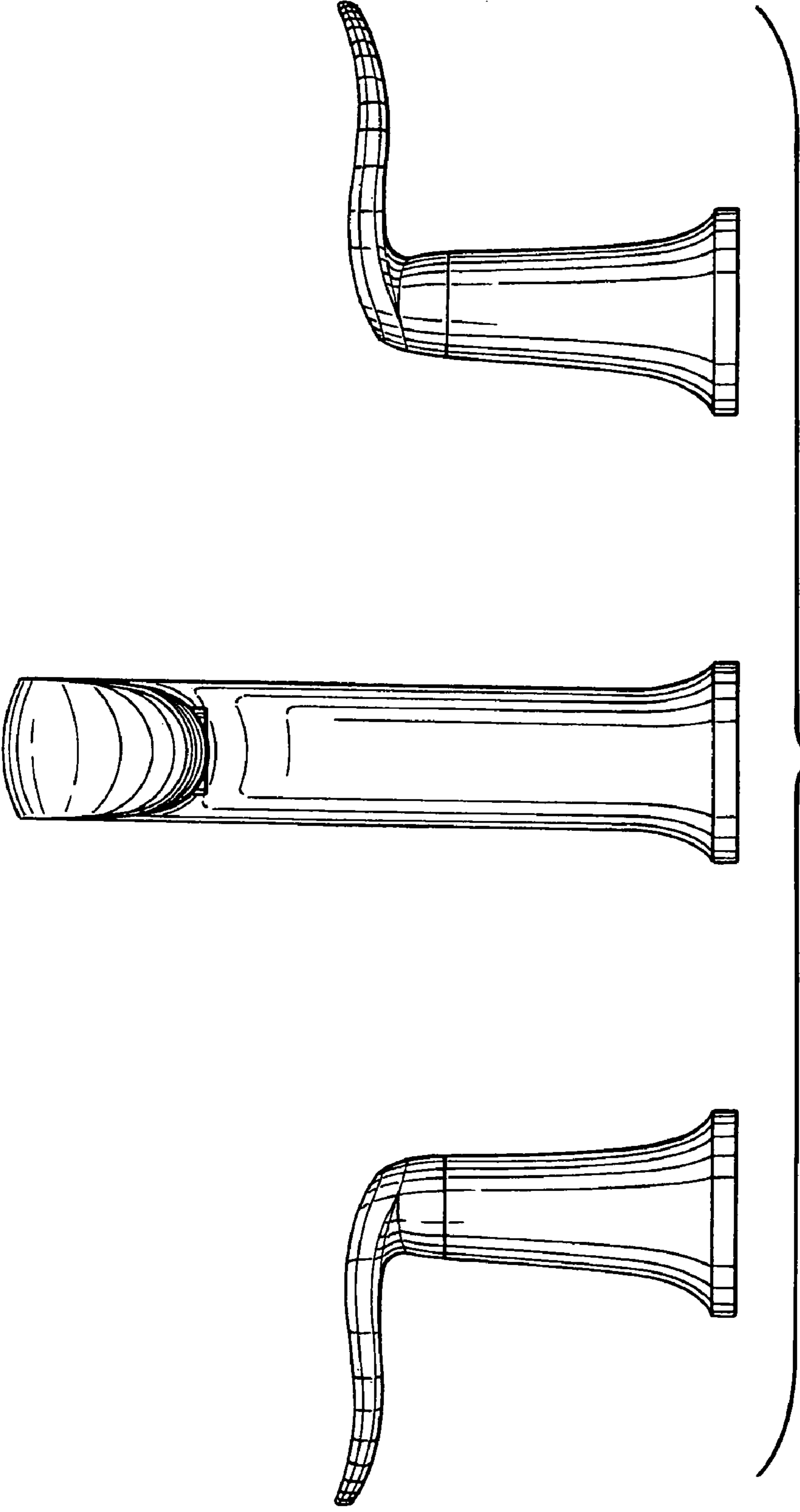


FIG. 2

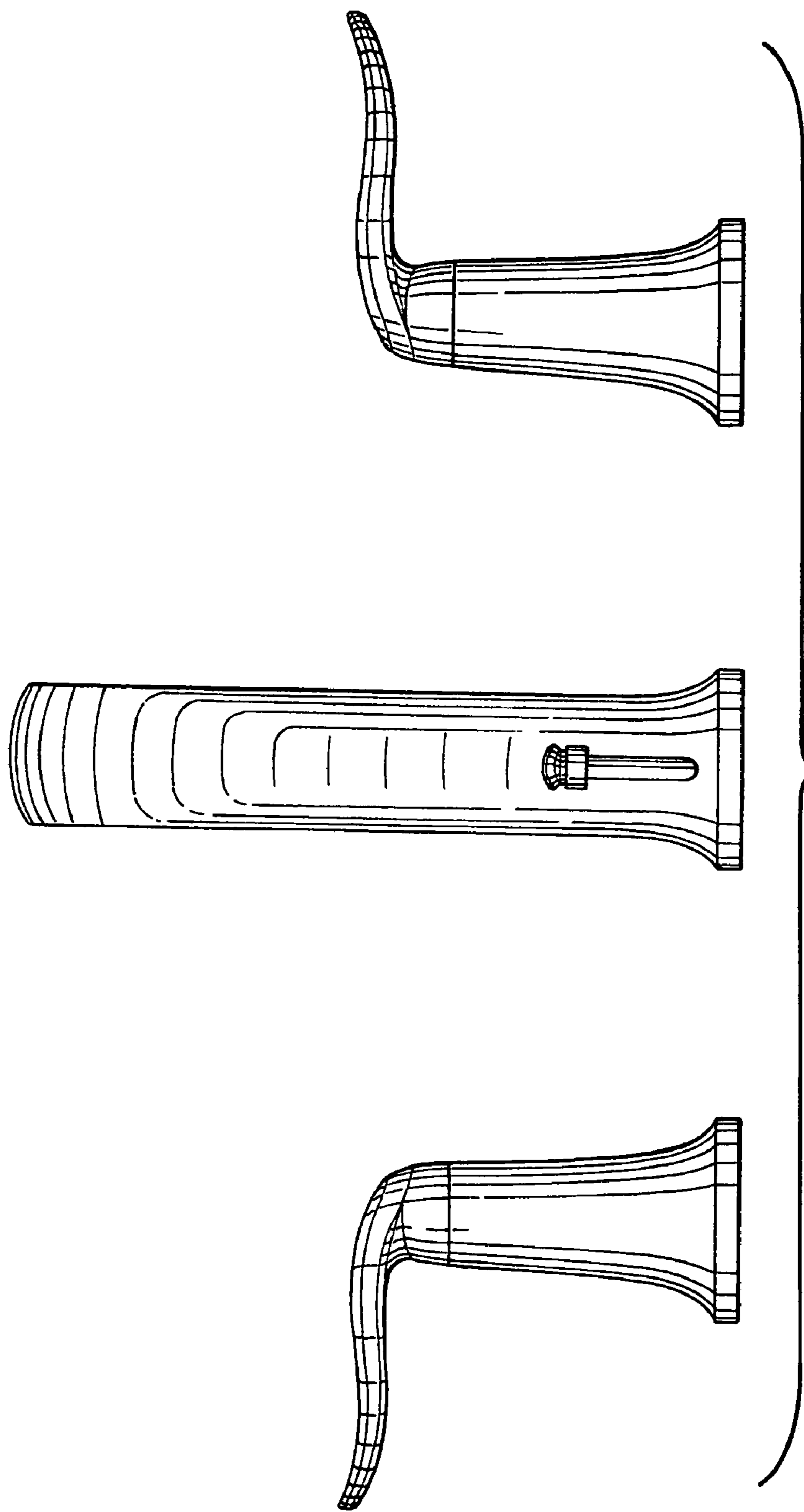


FIG. 3

FIG. 5

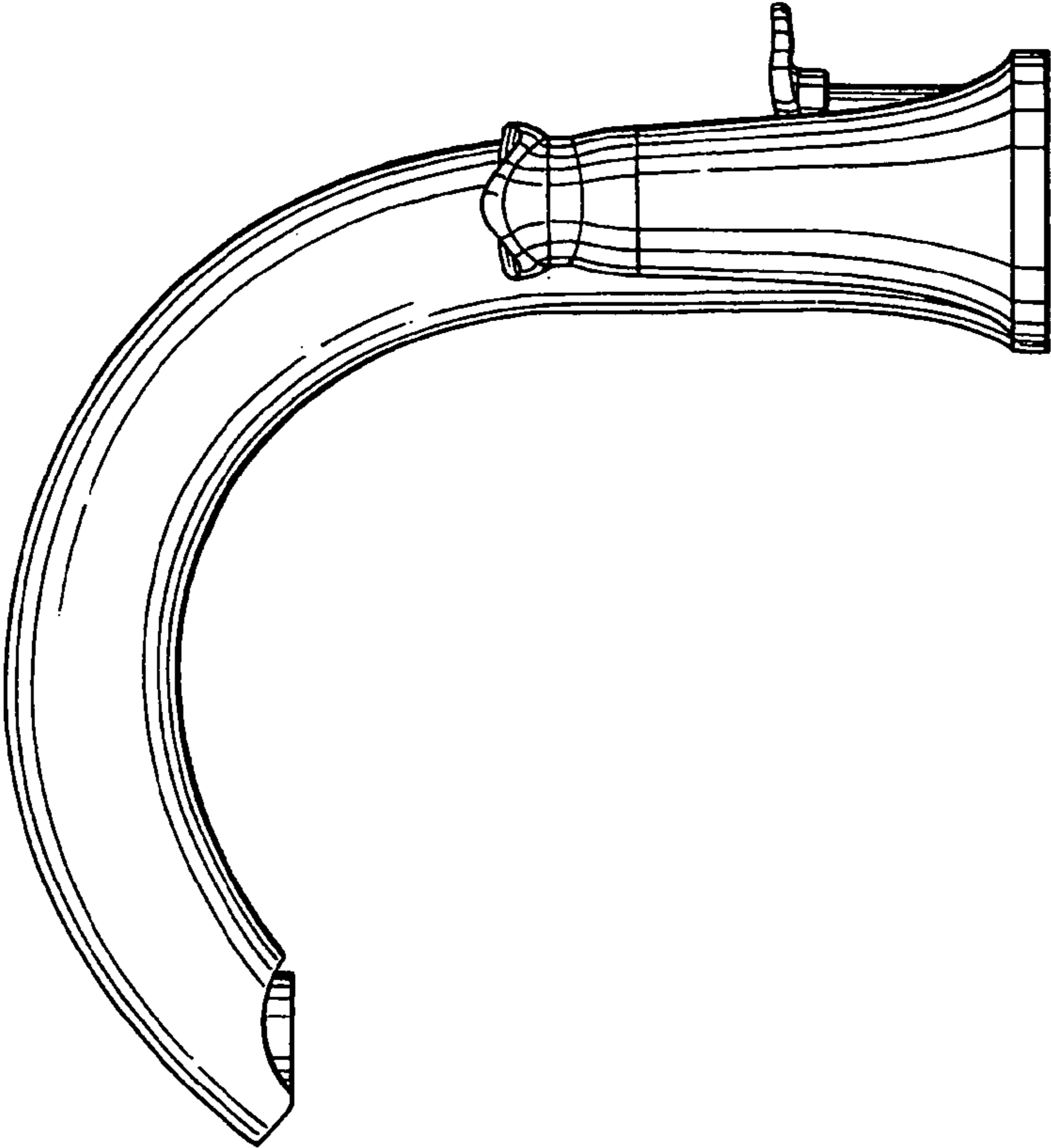


FIG. 4

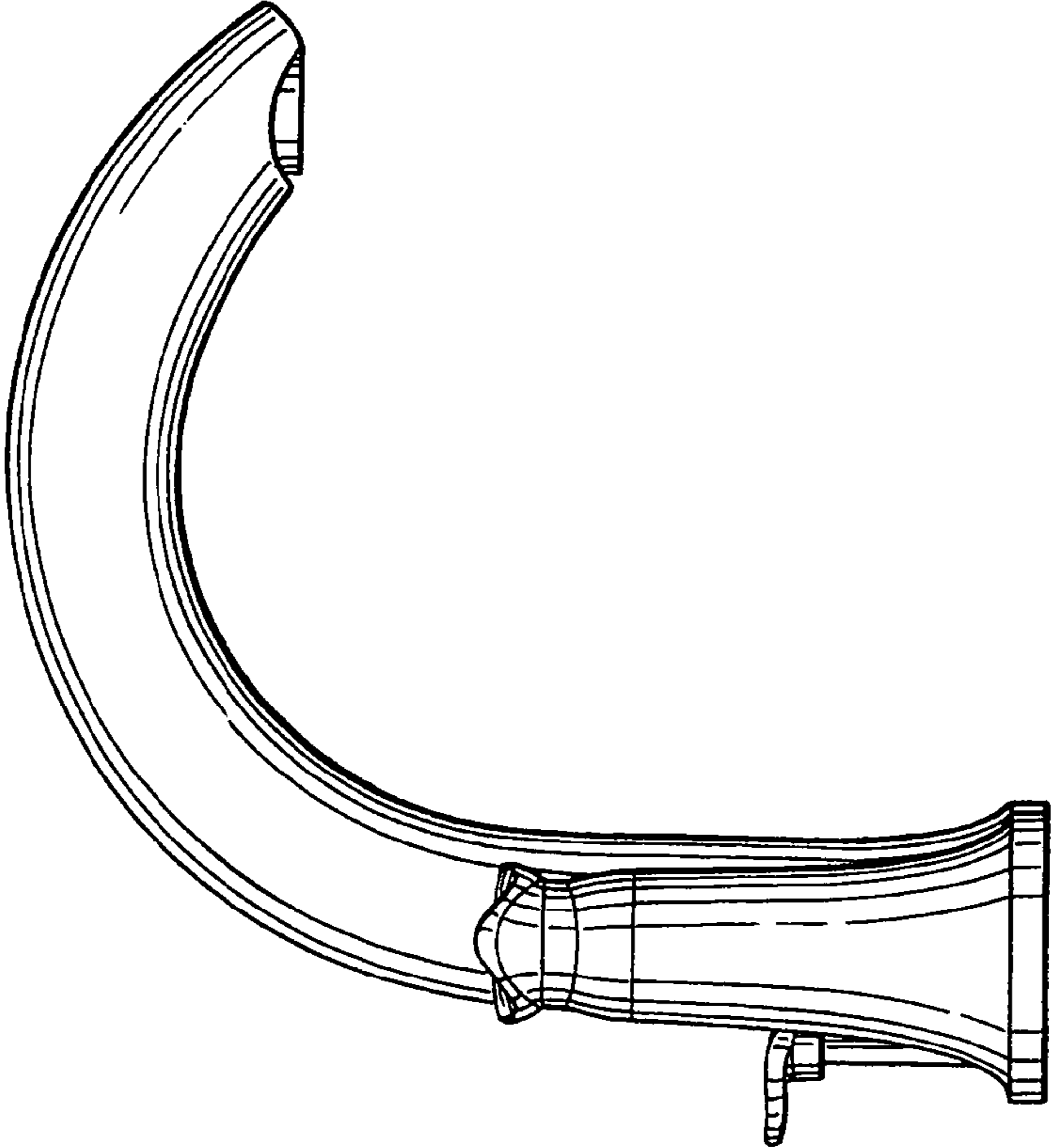


FIG. 6

