



US00D607087S

(12) **United States Design Patent**  
**Bobby et al.**

(10) **Patent No.:** **US D607,087 S**

(45) **Date of Patent:** **\*\* Dec. 29, 2009**

(54) **VALVE BODY**

(75) Inventors: **Brian Bobby**, North Ridgeville, OH (US); **Travis Ramler**, Elyria, OH (US)

(73) Assignee: **Bendix Commercial Vehicle Systems LLC**, Elyria, OH (US)

(\*\*) Term: **14 Years**

(21) Appl. No.: **29/257,620**

(22) Filed: **Apr. 7, 2006**

(51) **LOC (9) Cl.** ..... **23-01**

(52) **U.S. Cl.** ..... **D23/233**

(58) **Field of Classification Search** ..... D23/233–237, D23/244–249; D15/5; 137/882, 883, 885, 137/885.3, 454.2, 331; 251/309, 310, 314, 251/315.14, 335.5, 318–334, 356–368

See application file for complete search history.

(56) **References Cited**

**U.S. PATENT DOCUMENTS**

D297,256 S *	8/1988	Schwarz	.....	D23/233
D360,459 S	7/1995	Tschaeppler		
5,622,544 A	4/1997	Shamine et al.		
5,853,024 A *	12/1998	Life	.....	137/359
6,094,836 A	8/2000	Mahoney et al.		
D430,647 S *	9/2000	Bergum et al.	.....	D23/233
6,581,297 B1	6/2003	Ginder		
6,585,806 B2	7/2003	Quinn et al.		
D482,435 S	11/2003	Kawakami et al.		
6,701,709 B2	3/2004	Isaac, Jr. et al.		
6,730,143 B1	5/2004	Nichols et al.		
D499,172 S *	11/2004	Tripp et al.	.....	D23/245
6,824,594 B2	11/2004	Larsson		
6,878,194 B2	4/2005	Hoffman et al.		
D513,786 S *	1/2006	Montano et al.	.....	D23/233
D518,874 S *	4/2006	Takeda et al.	.....	D23/233
D519,188 S *	4/2006	Hay	.....	D23/233
7,100,305 B2	9/2006	Hoffman et al.		
D542,888 S *	5/2007	Ye et al.	.....	D23/233
D546,419 S *	7/2007	Steinberg	.....	D23/233
D546,920 S *	7/2007	Fulkerson	.....	D23/233

7,273,072 B2 *	9/2007	Muller	.....	137/885
D574,940 S	8/2008	Quinn et al.		
D597,630 S *	8/2009	Easton	.....	D23/233
7,568,496 B2 *	8/2009	Kraenzle	.....	137/454.2
2002/0017283 A1	2/2002	Furuya		
2004/0083893 A1	5/2004	Larsson		
2007/0084348 A1	4/2007	Hoffman et al.		

**FOREIGN PATENT DOCUMENTS**

EP	214 373	3/1987
WO	WO 89/11054	11/1989

**OTHER PUBLICATIONS**

Bendix Service Data SD-03-824, Bendix TC-7 Trailer Control Brake Valve, 4 pgs., Mar. 2004, printed USA.

Bendix Service Data SD-03-821, Bendix TC-6 Trailer Control Brake Valve, 3 pgs., Mar. 2004, printed USA.

Bendix Air System Components 03, Brake Valves, 4 pgs., Mar. 2004, printed USA.

\* cited by examiner

*Primary Examiner*—Cathron C. Brooks

*Assistant Examiner*—Maurice Stevens

(74) *Attorney, Agent, or Firm*—Calfee, Halter & Griswold LLP

(57) **CLAIM**

We claim the ornamental design for a valve body, as shown and described.

**DESCRIPTION**

FIG. 1 is a perspective view of a valve body, showing our new design;

FIG. 2 is a first side view of the valve body of FIG. 1;

FIG. 3 is a second side view of the valve body of FIG. 1;

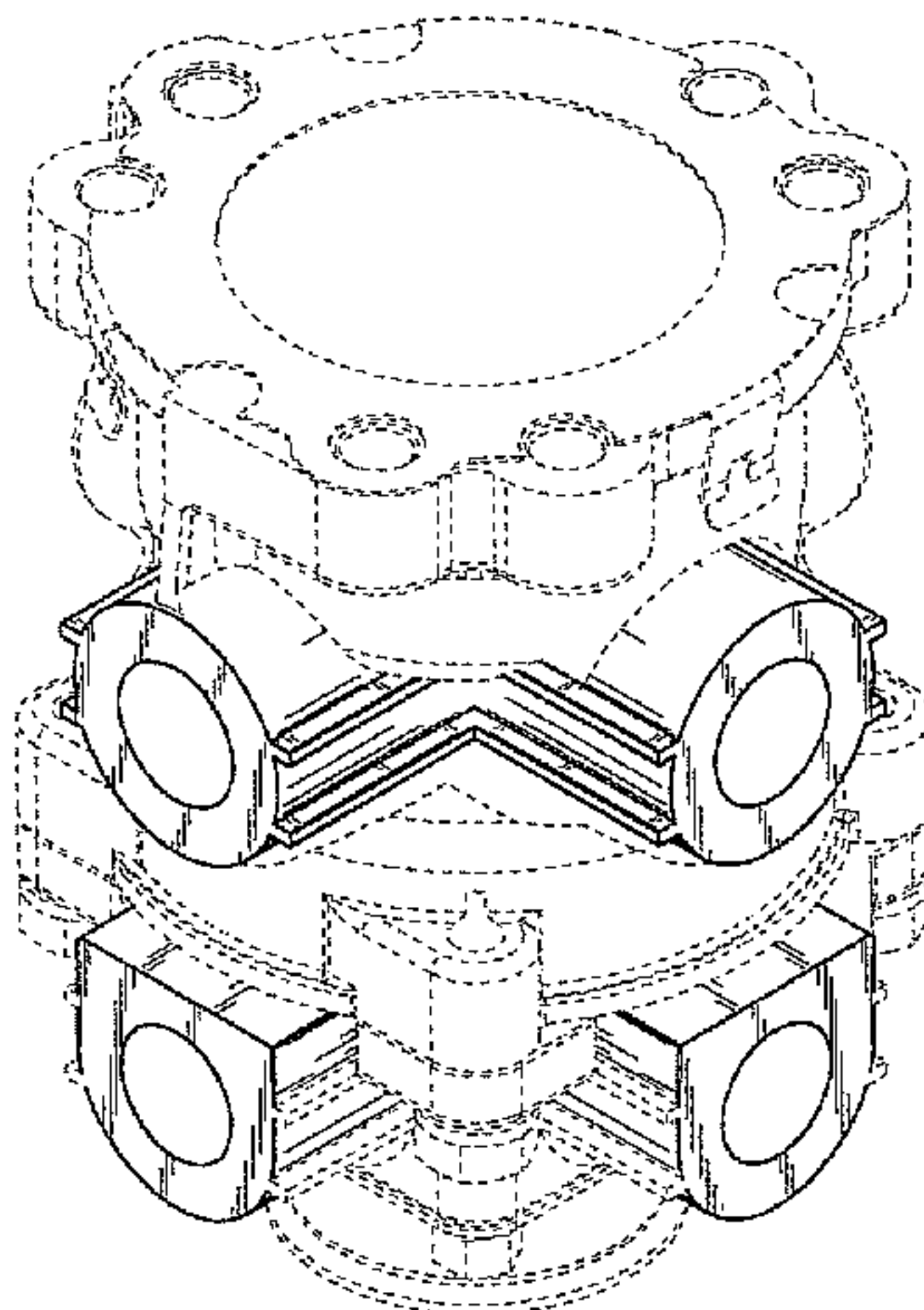
FIG. 4, is a third side view of the valve body of FIG. 1, the fourth side being a mirror image;

FIG. 5, is a top view of the valve body of FIG. 1; and,

FIG. 6, is a bottom view of the valve body of FIG. 1.

The portions of the Figures shown in phantom lines are not part of the claimed design and are for illustration only.

**1 Claim, 3 Drawing Sheets**



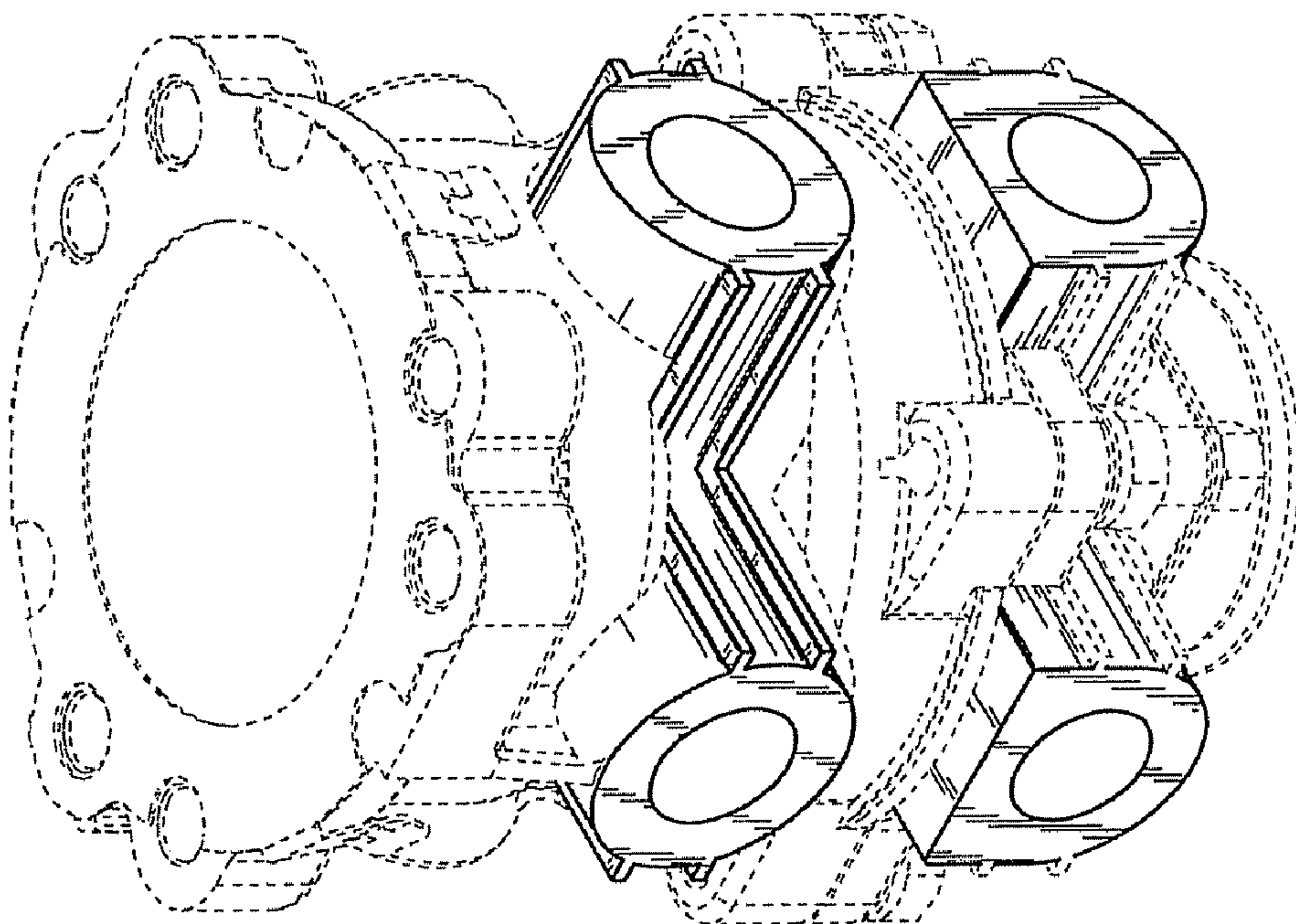


Fig.1

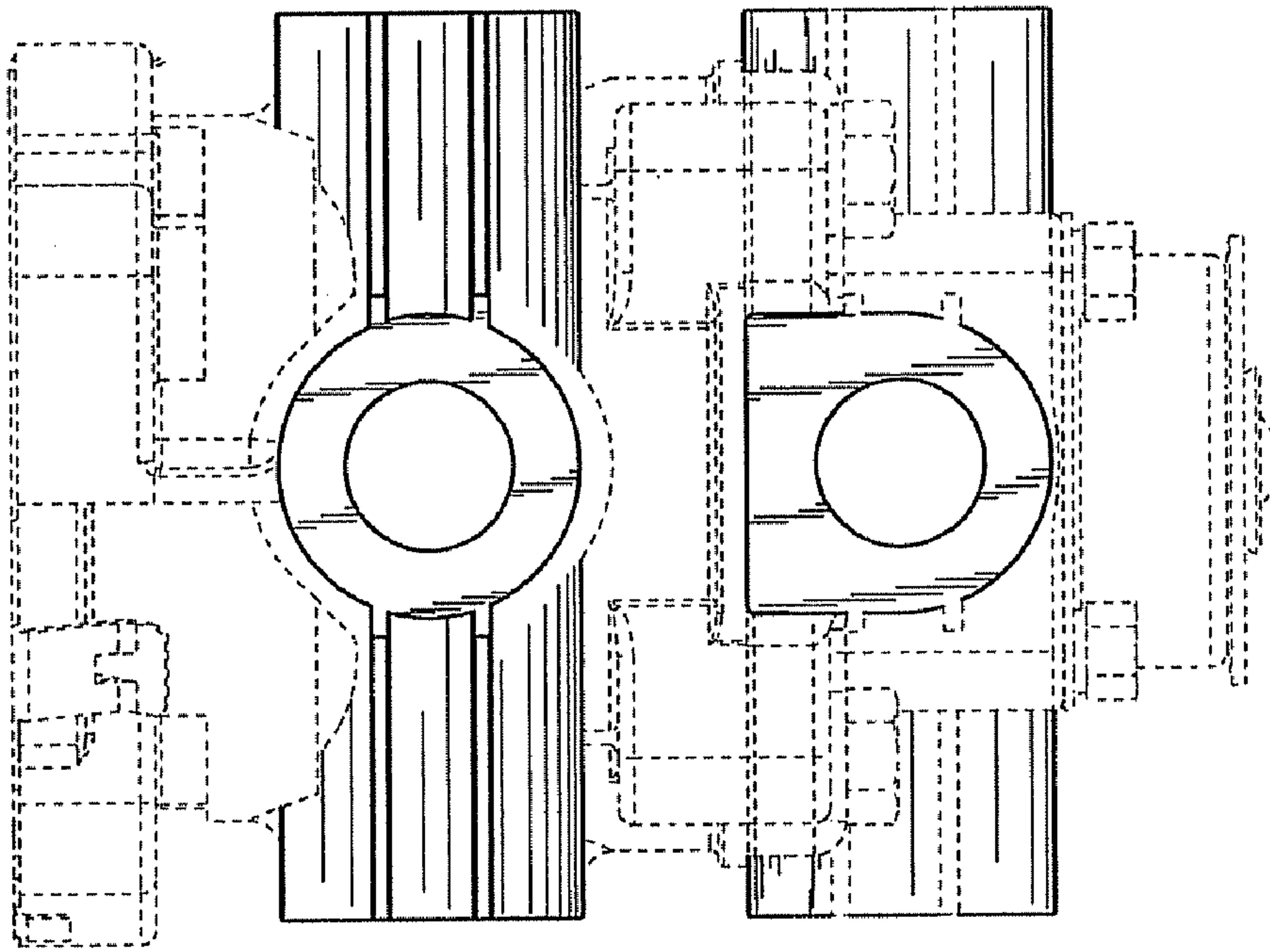


Fig.2



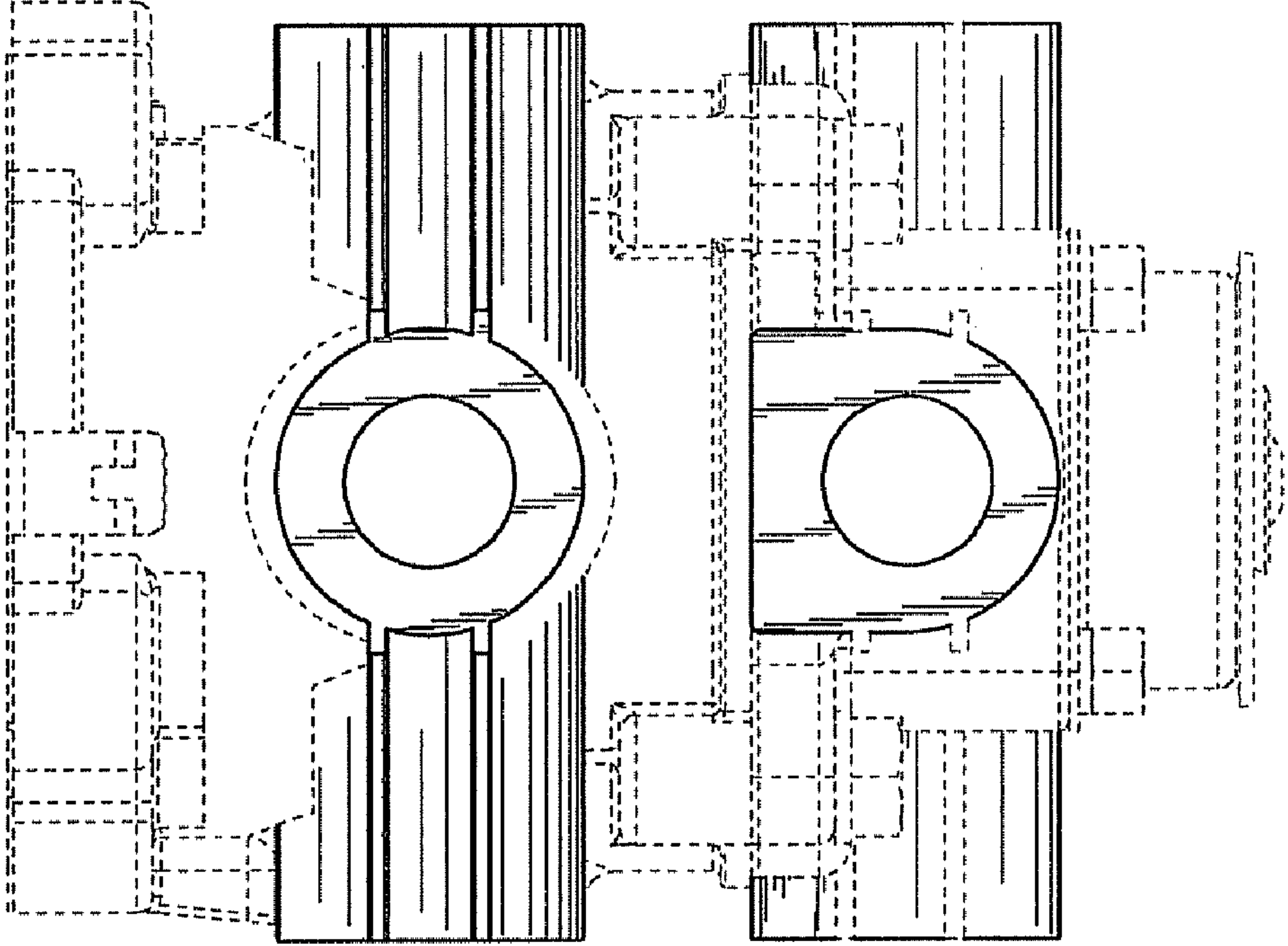


Fig.4

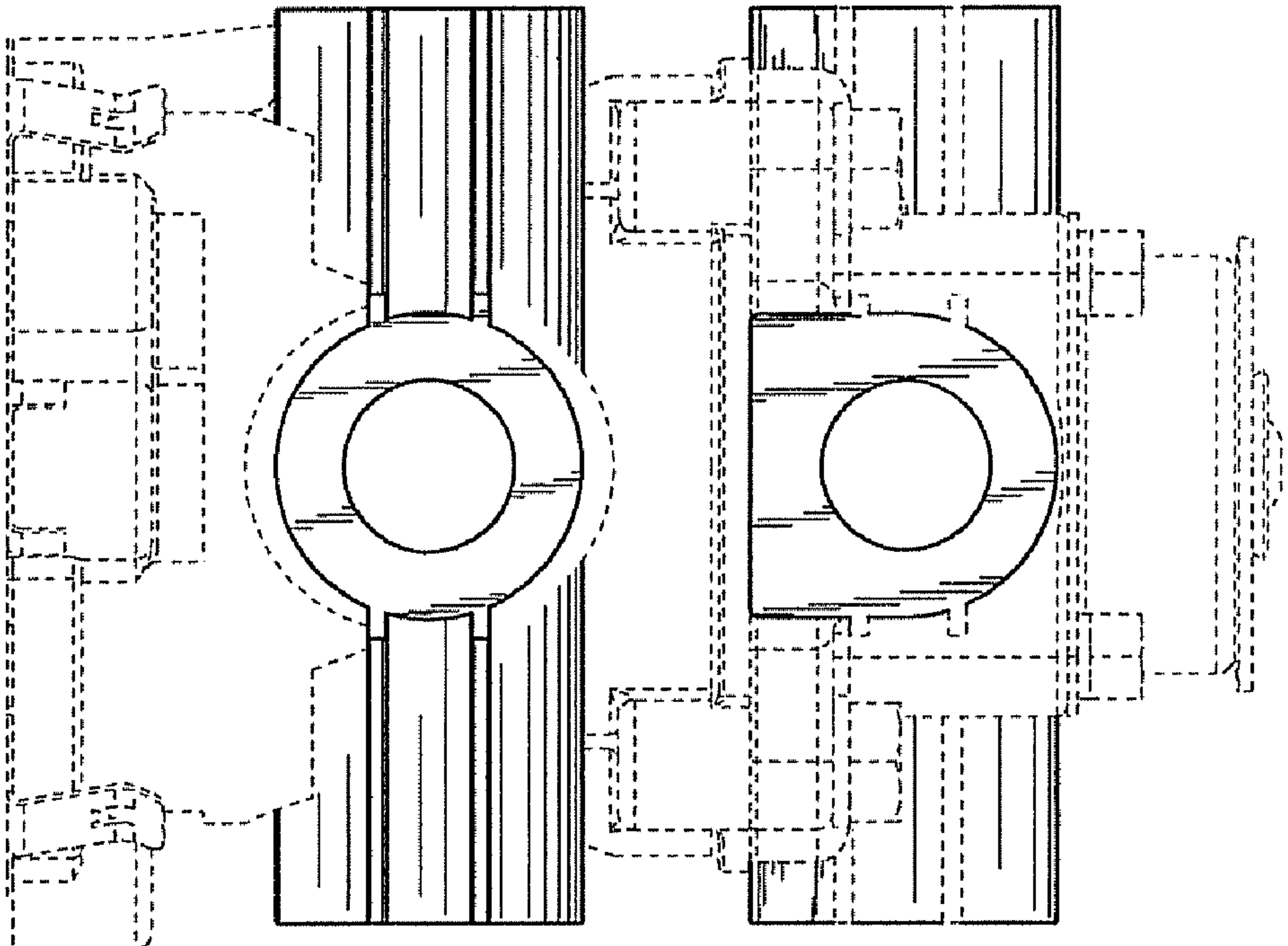


Fig.3

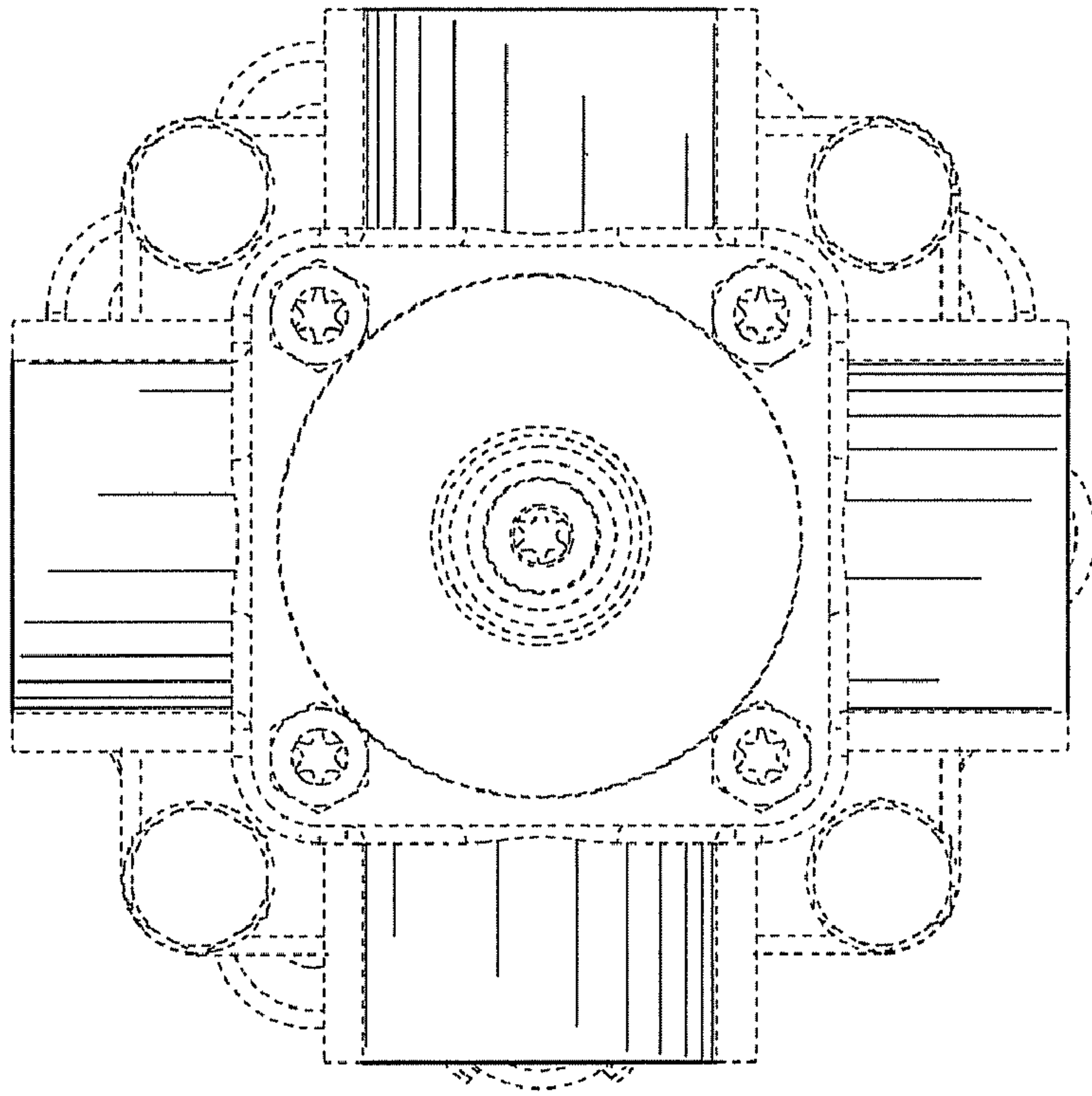


Fig.6

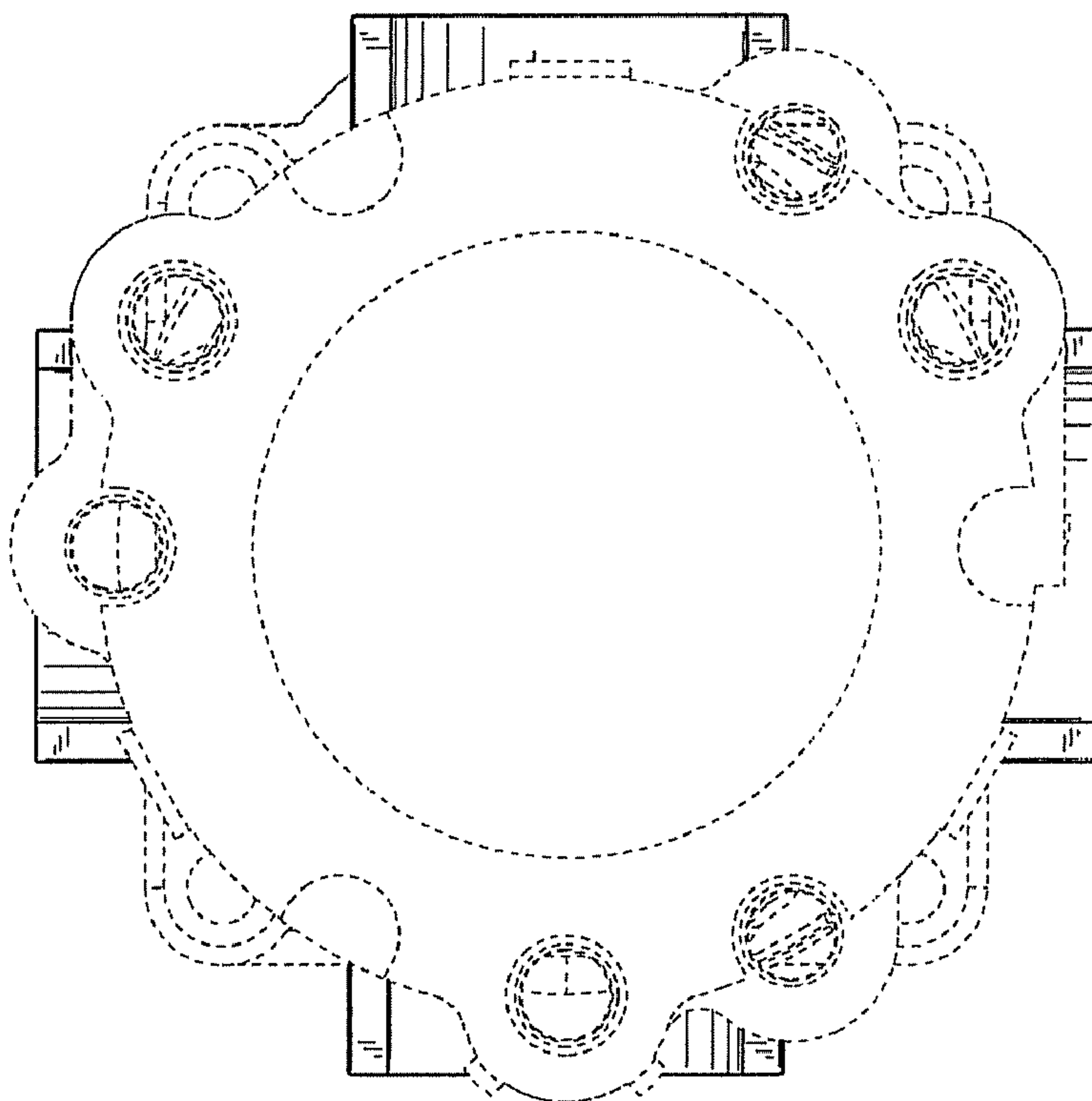


Fig.5