

US00D607086S

(12) **United States Design Patent**
Kosaka

(10) **Patent No.:** **US D607,086 S**
(45) **Date of Patent:** **** Dec. 29, 2009**

- (54) **HAND-HELD AIR SPRAY GUN**
- (75) Inventor: **Shozo Kosaka**, Yokohama (JP)
- (73) Assignee: **Anest Iwata Corporation**,
Kanagawa-Ken (JP)
- (**) Term: **14 Years**
- (21) Appl. No.: **29/343,783**
- (22) Filed: **Sep. 18, 2009**

D409,719 S * 5/1999 Kaneko D23/226
 D563,505 S * 3/2008 Schmon et al. D23/226
 D575,374 S * 8/2008 Huang D23/226

* cited by examiner

Primary Examiner—Robin V Webster
 (74) *Attorney, Agent, or Firm*—Wenderoth, Lind & Ponack,
 L.L.P.

(57) **CLAIM**

The ornamental design for a hand-held air spray gun, as shown and described.

Related U.S. Application Data

- (62) Division of application No. 29/311,689, filed on May 22, 2009.

Foreign Application Priority Data

- (30) Nov. 28, 2008 (JP) 2008-030567
- Nov. 28, 2008 (JP) 2008-030576

- (51) **LOC (9) Cl.** **23-01**
- (52) **U.S. Cl.** **D23/226**
- (58) **Field of Classification Search** D23/213,
D23/223, 226; 239/525–526, 600–601, 291
See application file for complete search history.

(56) **References Cited**

U.S. PATENT DOCUMENTS

D405,503 S * 2/1999 Endo D23/226

DESCRIPTION

FIG. 1 is a perspective view of a hand held air spray gun in accordance with the present design;
 FIG. 2 is a front view thereof;
 FIG. 3 is a back view thereof;
 FIG. 4 is a side view, generally taken from the left side of FIG. 1;
 FIG. 5 is a side view of the opposite side thereof;
 FIG. 6 is a top view thereof; and,
 FIG. 7 is a bottom view thereof.

1 Claim, 5 Drawing Sheets

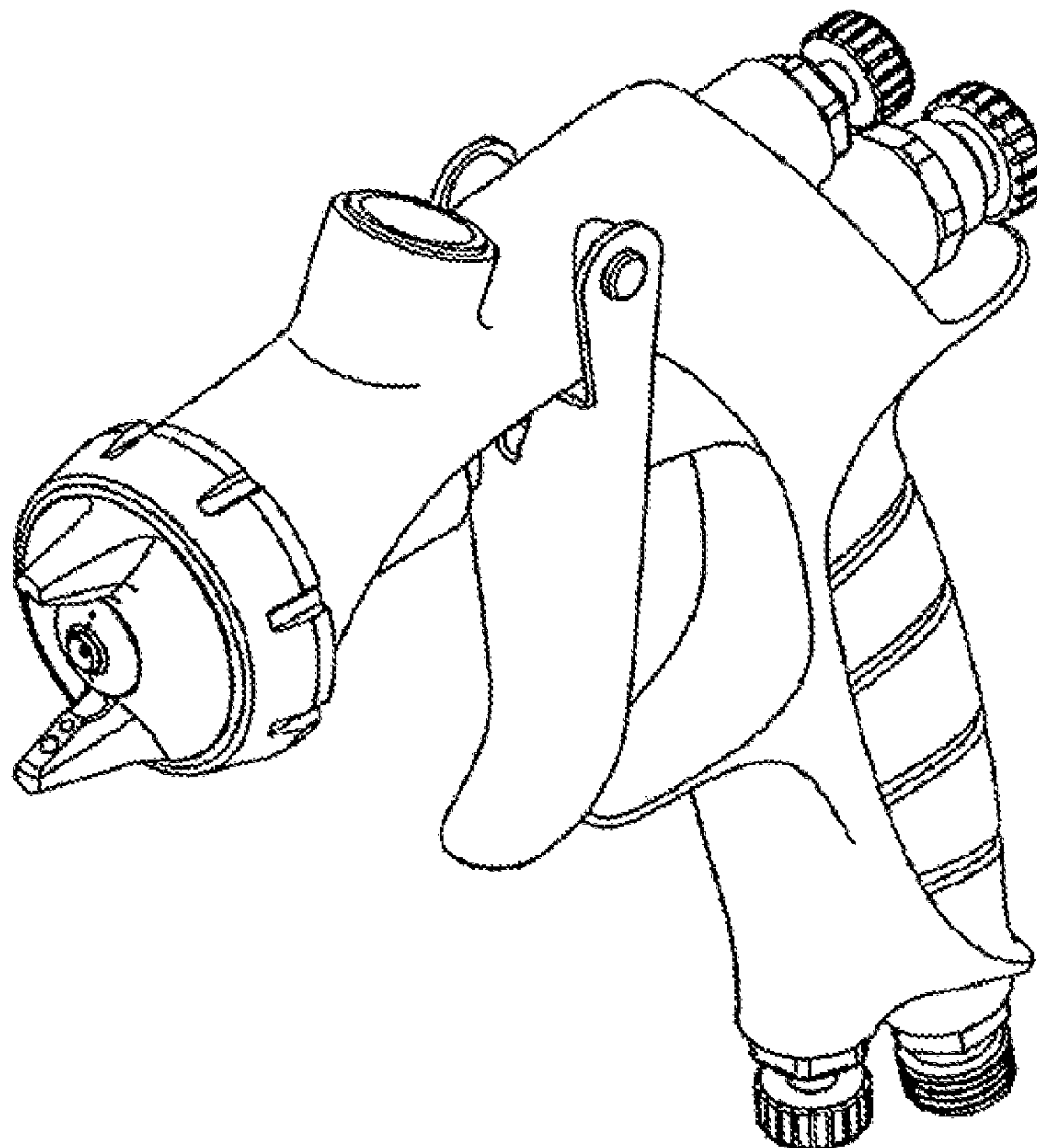


FIG. 1

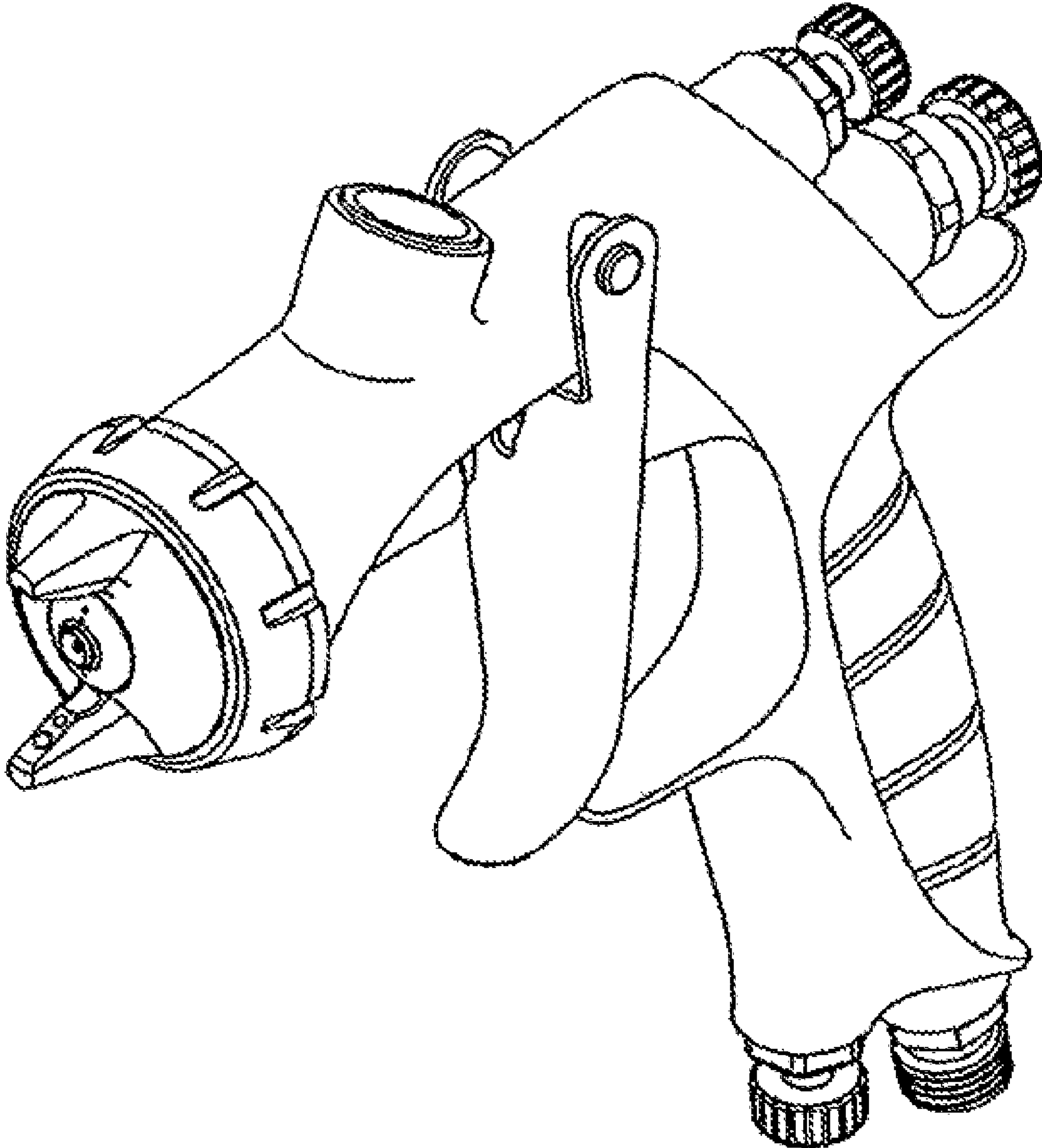


FIG. 2

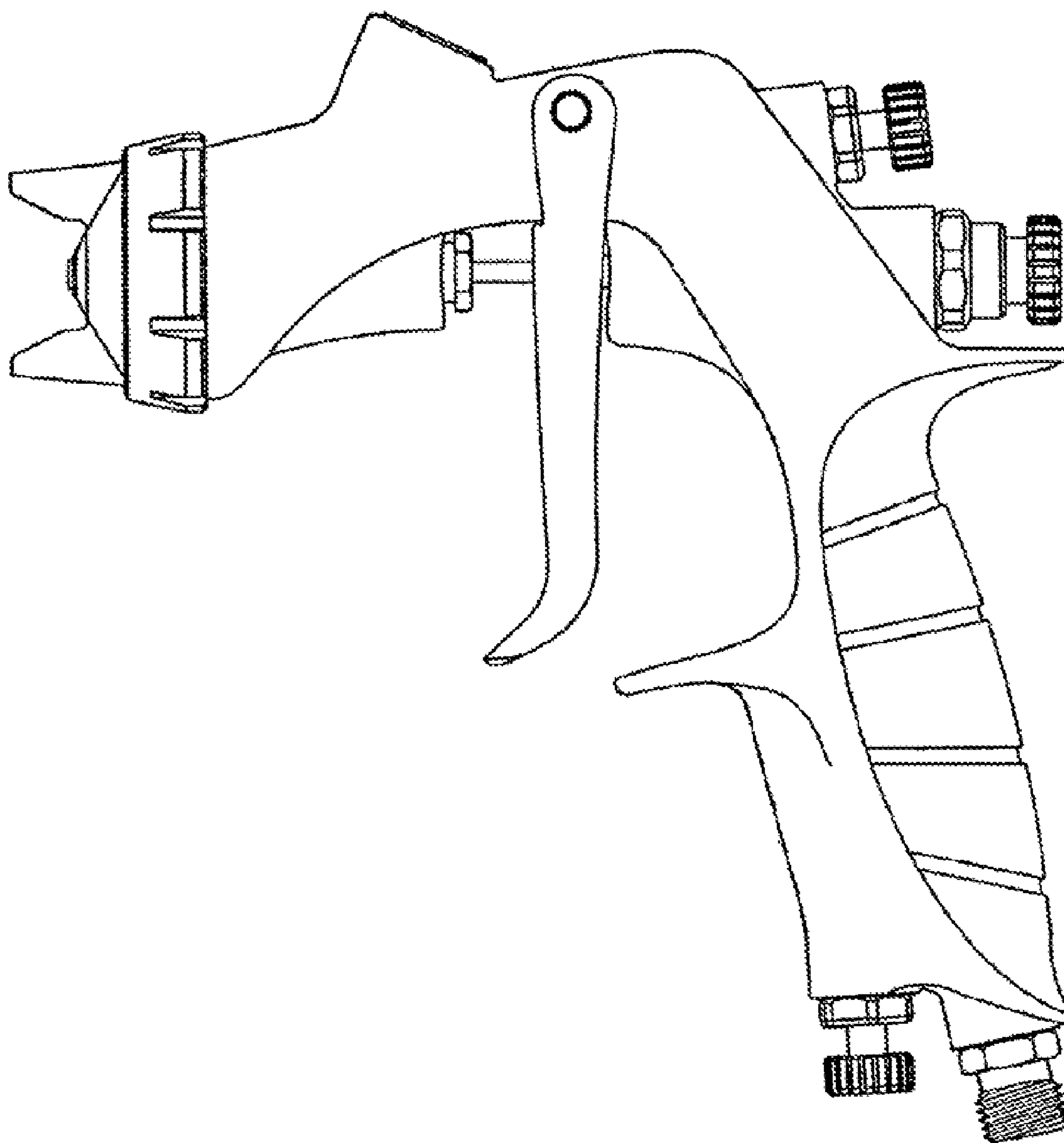


FIG. 3

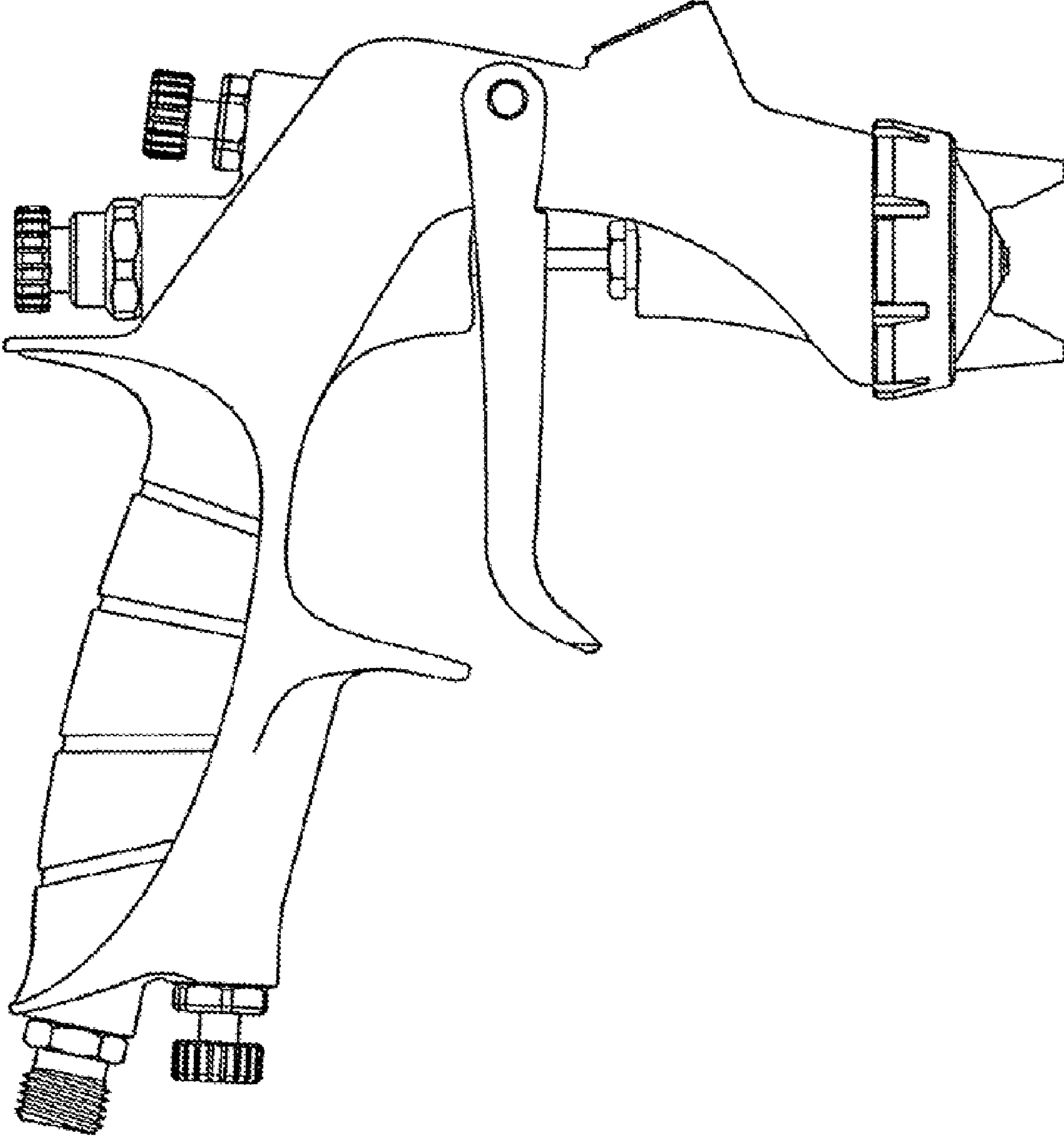


FIG. 4

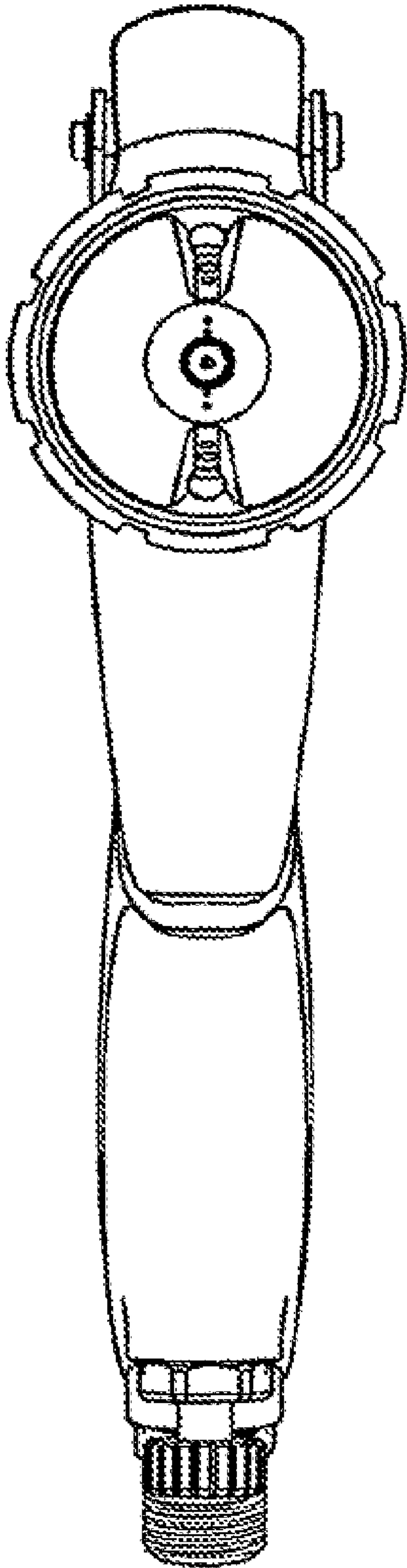


FIG. 5

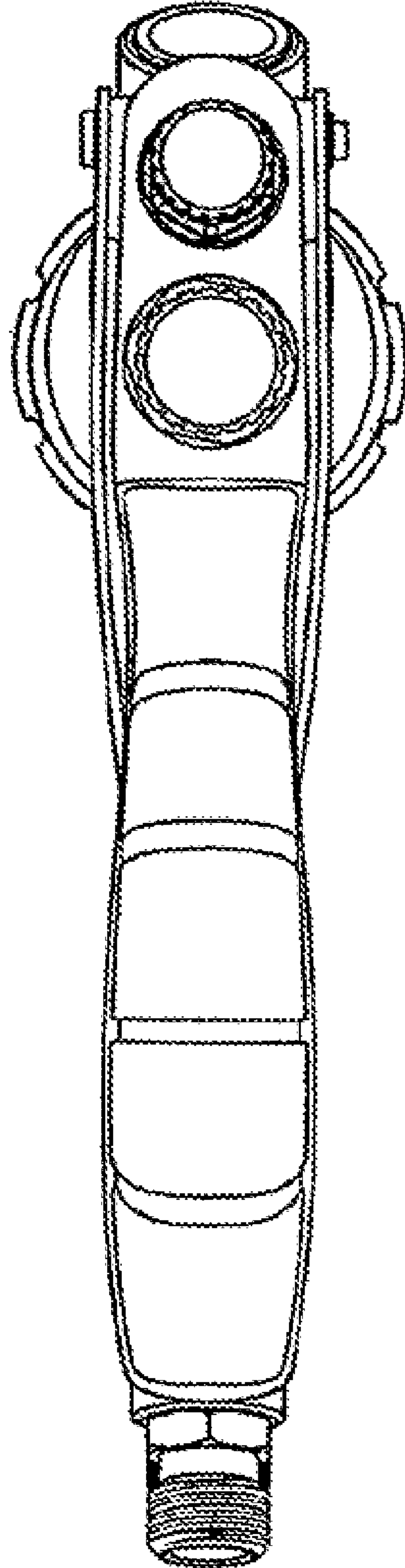


FIG. 6

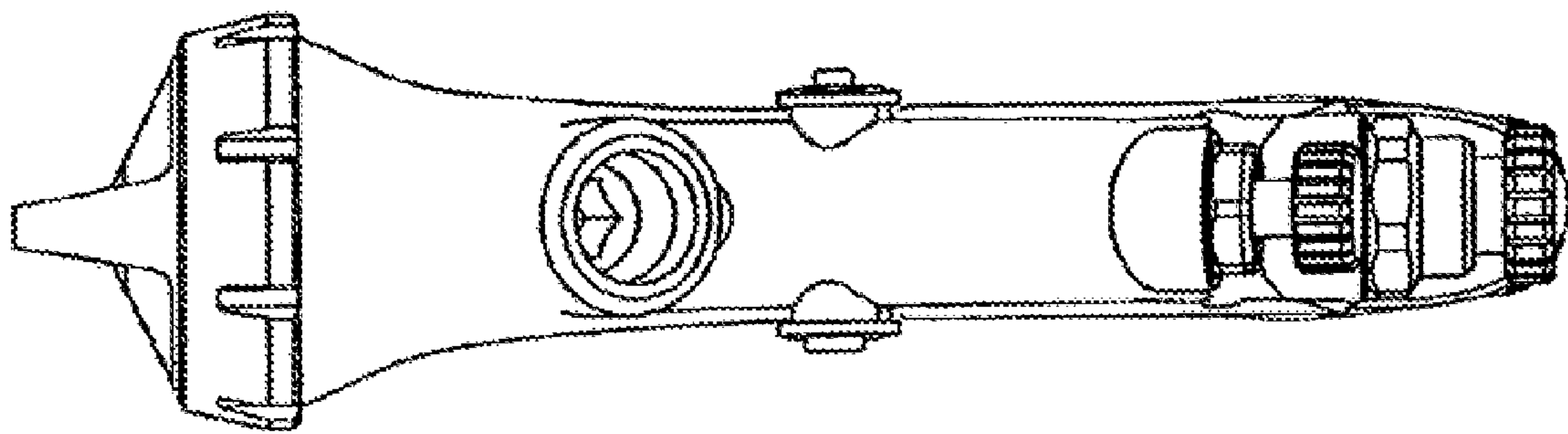


FIG. 7

