



US00D607085S

(12) **United States Design Patent**  
**Nies et al.**

(10) **Patent No.:** **US D607,085 S**  
(45) **Date of Patent:** **\*\* Dec. 29, 2009**

(54) **VARIABLE RANGE ROTARY SPRINKLER APPARATUS**

*Primary Examiner*—Robin V Webster  
(74) *Attorney, Agent, or Firm*—Westerman, Hattori, Daniels & Adrian, LLP

(75) Inventors: **Juergen Nies**, Winchester, VA (US); **Ha Van Duong**, Winchester, VA (US); **Vicky Ann Michael**, Winchester, VA (US)

(57) **CLAIM**

The ornamental design for a variable range rotary sprinkler apparatus, as shown and described.

(73) Assignee: **Melnor, Inc.**, Winchester, VA (US)

(\*\*) Term: **14 Years**

**DESCRIPTION**

(21) Appl. No.: **29/336,363**

FIG. 1 is a perspective view of a variable rotary sprinkler apparatus;

(22) Filed: **May 1, 2009**

FIG. 2 is a front view of the variable rotary sprinkler apparatus;

(51) **LOC (9) Cl.** ..... **23-01**

(52) **U.S. Cl.** ..... **D23/214**

FIG. 3 is a rear view of the variable rotary sprinkler apparatus;

(58) **Field of Classification Search** ..... D23/213,  
D23/214, 217, 218; 239/237, 210, 542, 204,  
239/206, DIG. 1

FIG. 4 is a left side view of the variable rotary sprinkler apparatus;

See application file for complete search history.

FIG. 5 is a top view of the variable rotary sprinkler apparatus; and,

(56) **References Cited**

**U.S. PATENT DOCUMENTS**

FIG. 6 is a bottom view of the variable rotary sprinkler apparatus.

D445,870 S \* 7/2001 Palestrant ..... D23/213

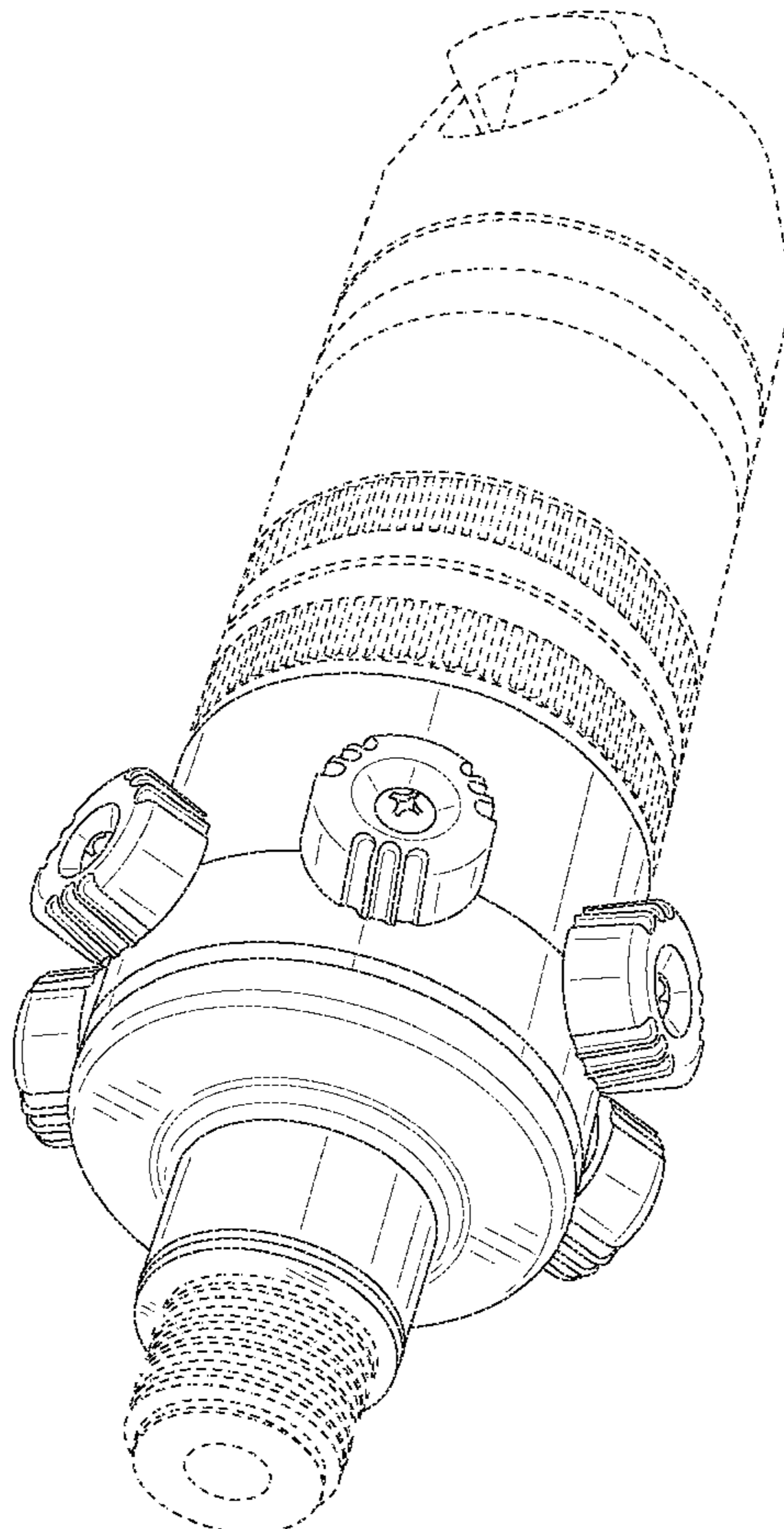
D449,370 S \* 10/2001 Palestrant ..... D23/213

D500,838 S \* 1/2005 Pavlik ..... D23/213

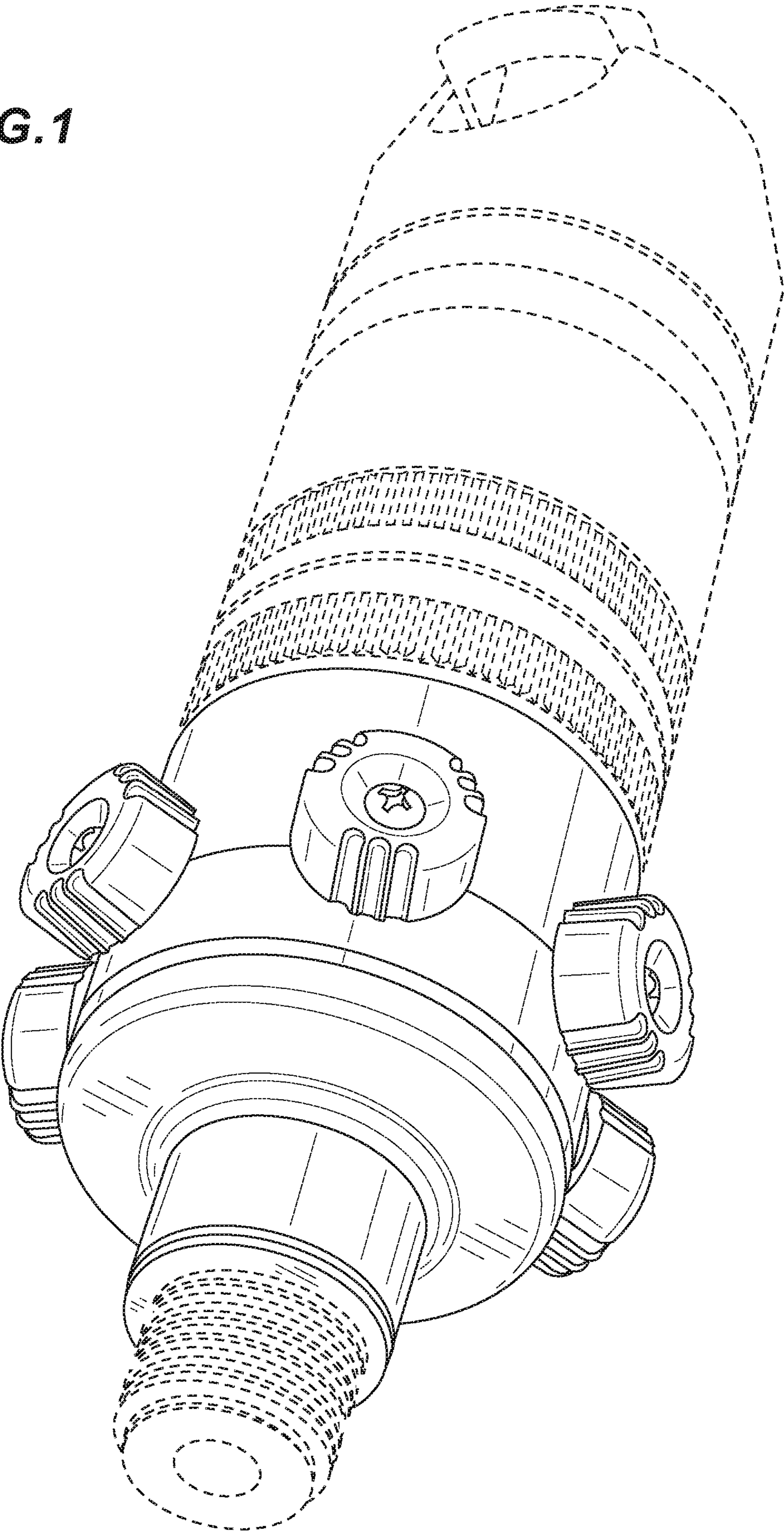
The broken line showing of is included for the purpose of illustrating and forms no part of the claimed design.

\* cited by examiner

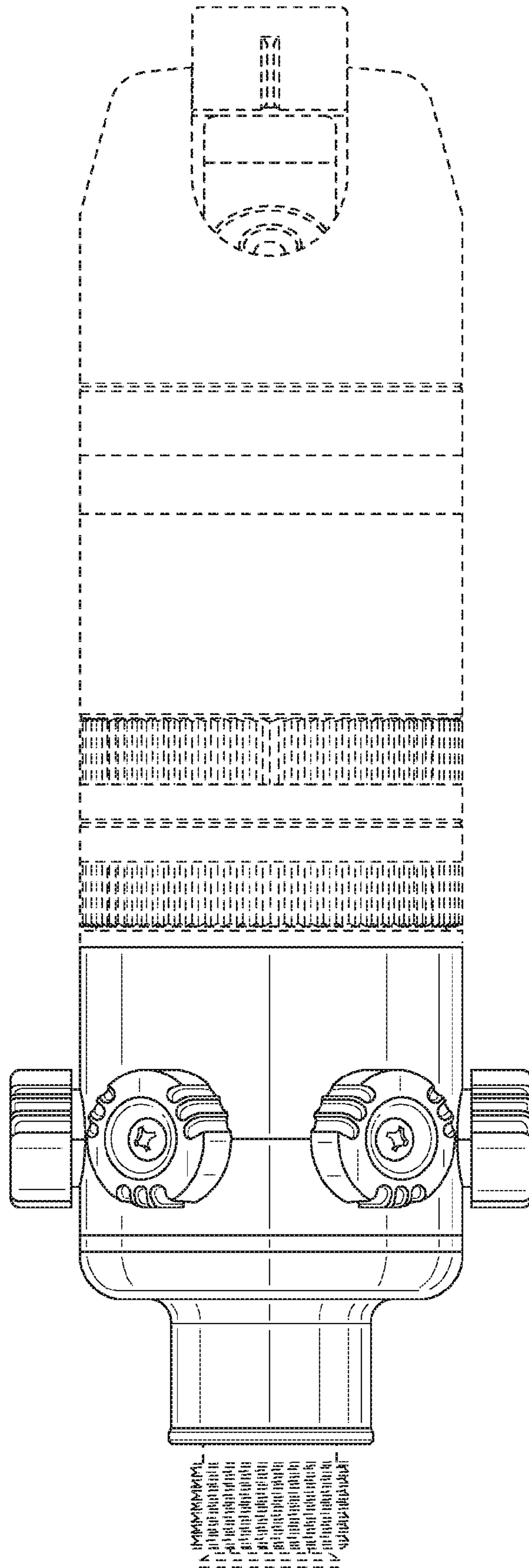
**1 Claim, 5 Drawing Sheets**



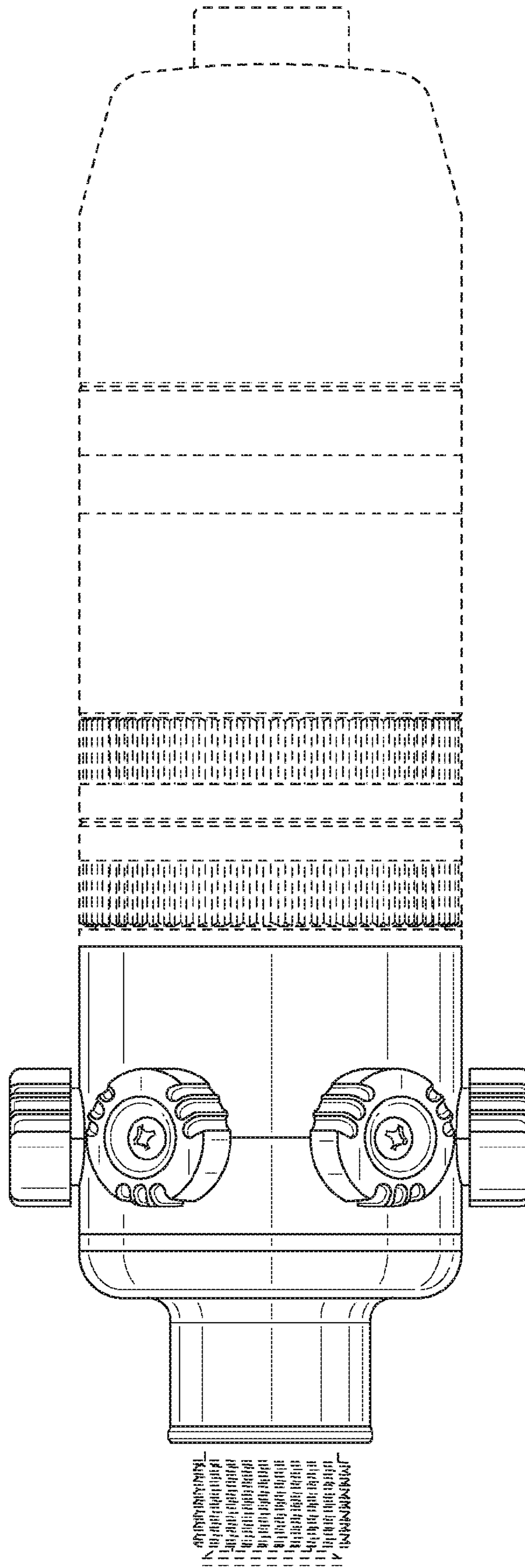
**FIG. 1**



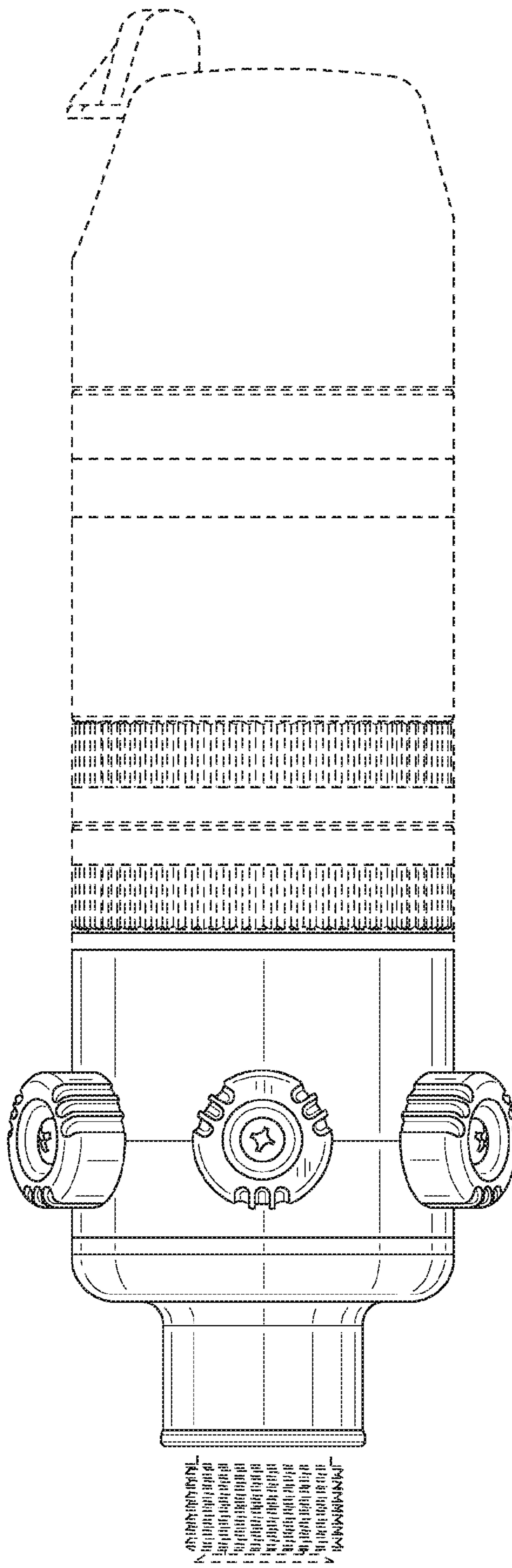
**FIG. 2**



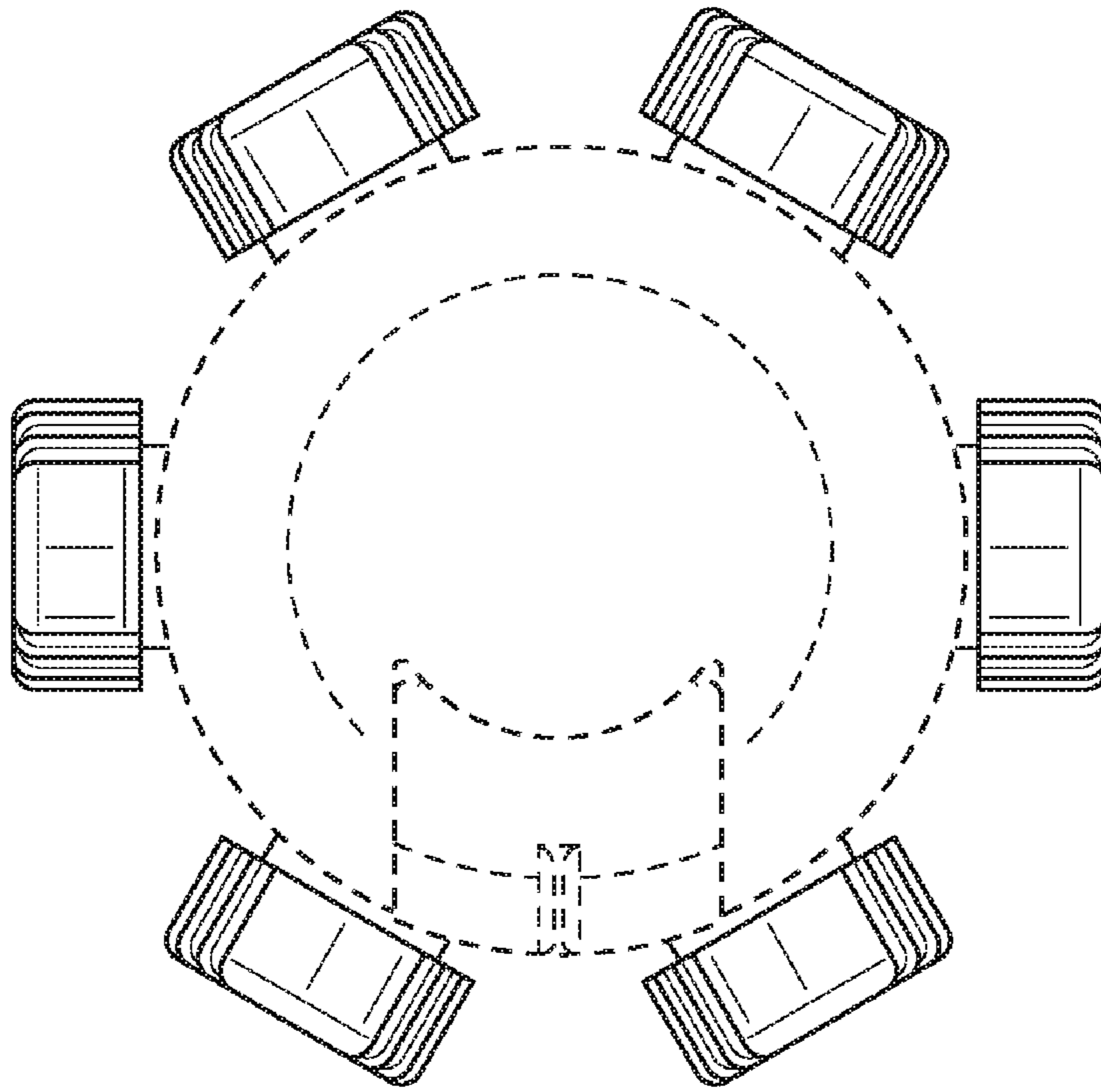
**FIG. 3**



**FIG. 4**



**FIG. 5**



**FIG. 6**

