

US00D607083S

(12) **United States Design Patent**  
**Kojima**

(10) **Patent No.:** **US D607,083 S**

(45) **Date of Patent:** **\*\* Dec. 29, 2009**

(54) **MOTIONLESS MIXER**

7,137,731 B2 \* 11/2006 Carlson ..... 366/337

(75) Inventor: **Hisao Kojima**, Kanagawa (JP)

FOREIGN PATENT DOCUMENTS

(73) Assignee: **Anemos Company Ltd.**, Tokyo (JP)

JP 2003-181256 A 7/2003

JP 2005-219036 A 8/2005

WO WO-00/24502 A1 5/2000

(\*\*) Term: **14 Years**

\* cited by examiner

(21) Appl. No.: **29/267,140**

*Primary Examiner*—Robin V Webster

(22) Filed: **Oct. 6, 2006**

(74) *Attorney, Agent, or Firm*—Ditthavong Mori & Steiner, P.C.

(30) **Foreign Application Priority Data**

(57) **CLAIM**

Apr. 6, 2006 (JP) ..... D2006-011653

The ornamental design for a motionless mixer, as shown.

(51) **LOC (9) Cl.** ..... **23-01**

(52) **U.S. Cl.** ..... **D23/200**

(58) **Field of Classification Search** ..... D23/200,

D23/207, 266, 263; 138/37, 39, 42; 366/336–340

See application file for complete search history.

**DESCRIPTION**

FIG. 1 is a front side elevational view of a motionless mixer showing my new design, the rear side elevational view being the same image thereof;

(56) **References Cited**

U.S. PATENT DOCUMENTS

4,183,682 A \* 1/1980 Lieffers ..... 366/339

4,466,741 A 8/1984 Kojima

4,514,095 A \* 4/1985 Ehrfeld et al. .... 366/340

4,643,584 A \* 2/1987 Allocca ..... 366/337

4,824,614 A \* 4/1989 Jones ..... 261/76

4,850,705 A \* 7/1989 Horner ..... 366/339

5,758,967 A \* 6/1998 King ..... 366/337

6,109,781 A \* 8/2000 Ogasawara et al. .... 366/336

D436,647 S \* 1/2001 Etschel et al. .... D23/200

FIG. 2 is a left side elevational view thereof, the right side elevational view being the same image thereof;

FIG. 3 is a top plan view thereof; and

FIG. 4 is a bottom plan view thereof.

FIG. 5 is a reference front elevational view thereof, showing a line VI—VI; and,

FIG. 6 is a reference cross-sectional view thereof, taken along the line VI—VI in a direction of arrows of FIG. 5.

**1 Claim, 6 Drawing Sheets**

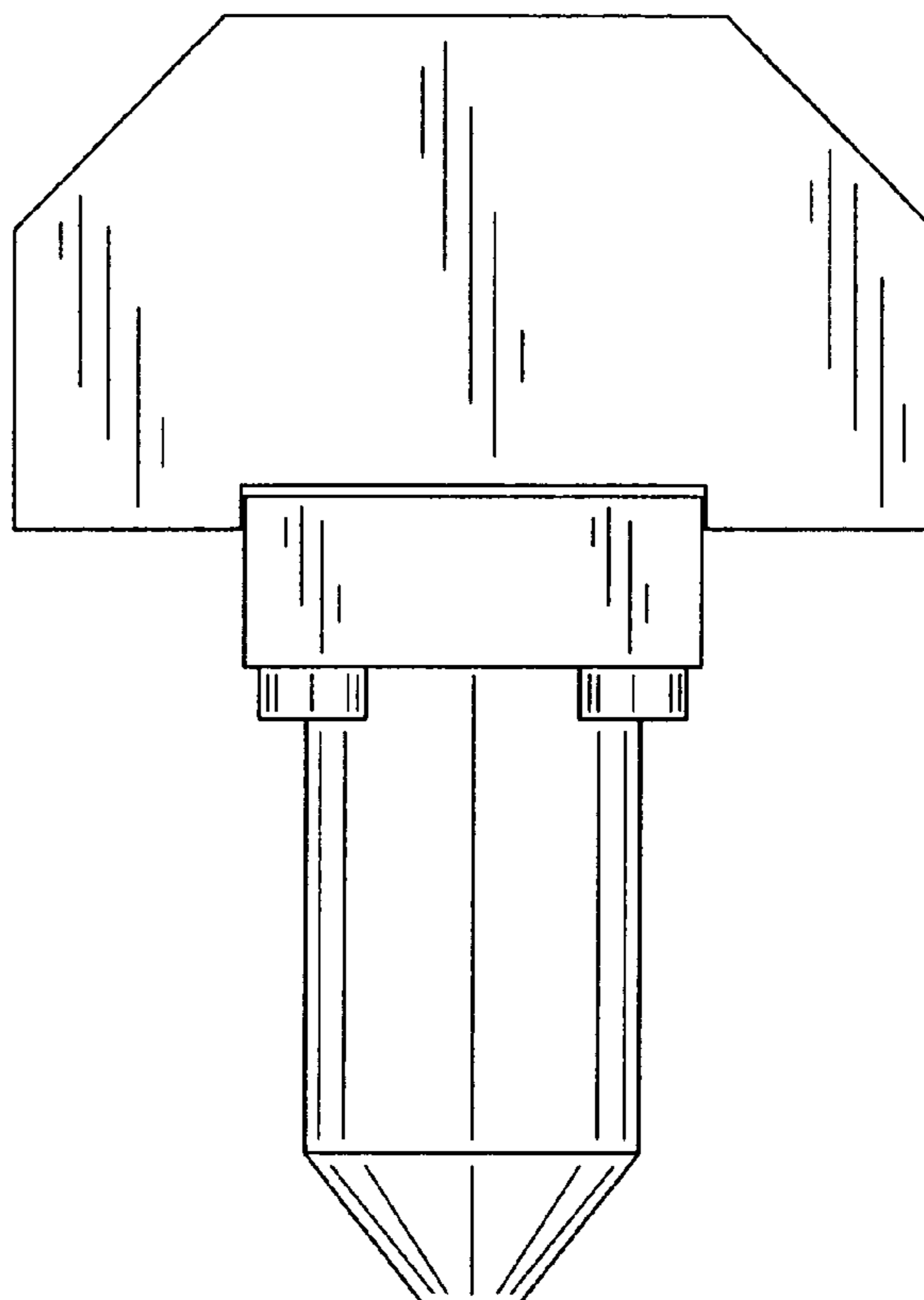


Fig. 1

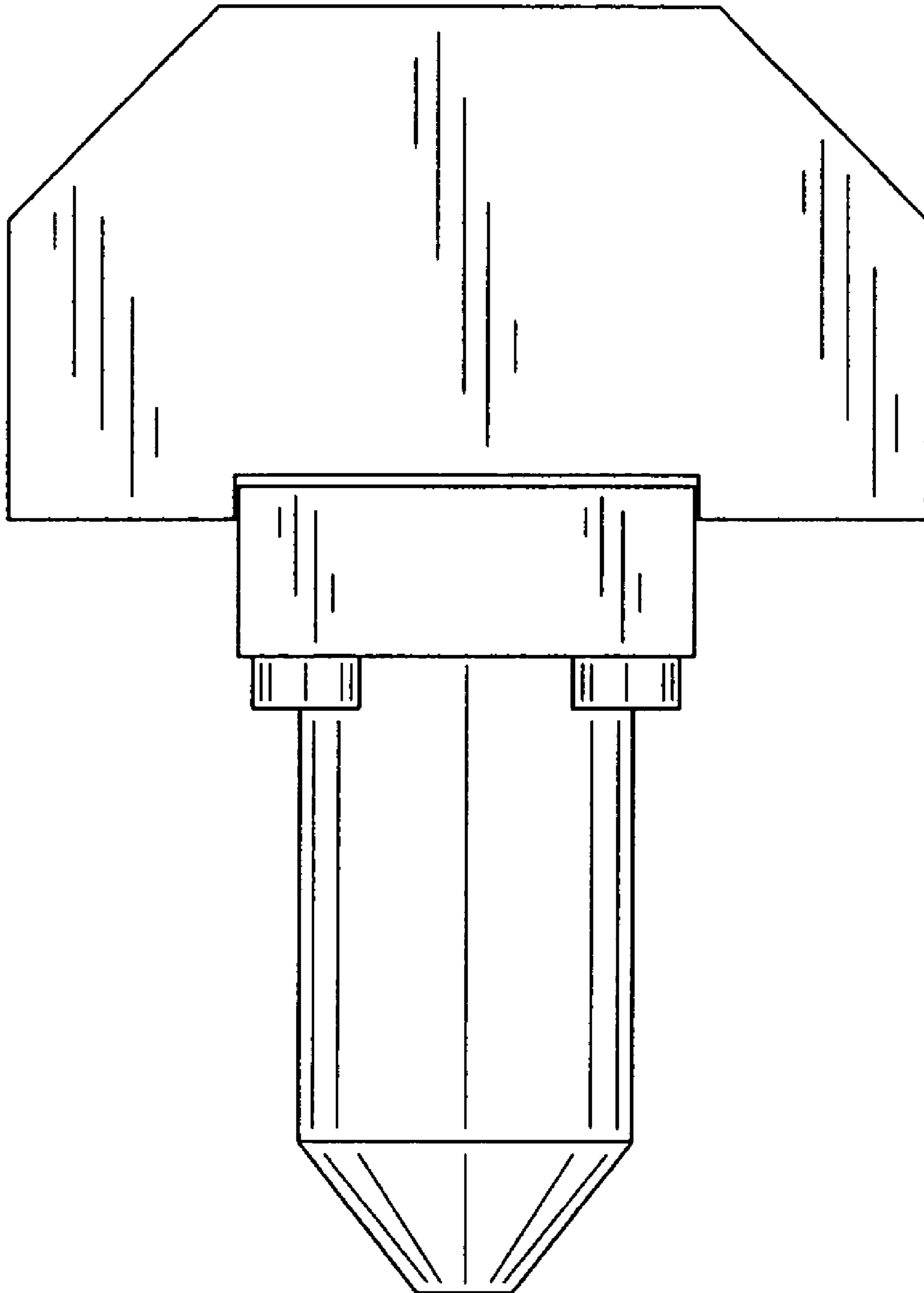


Fig.2

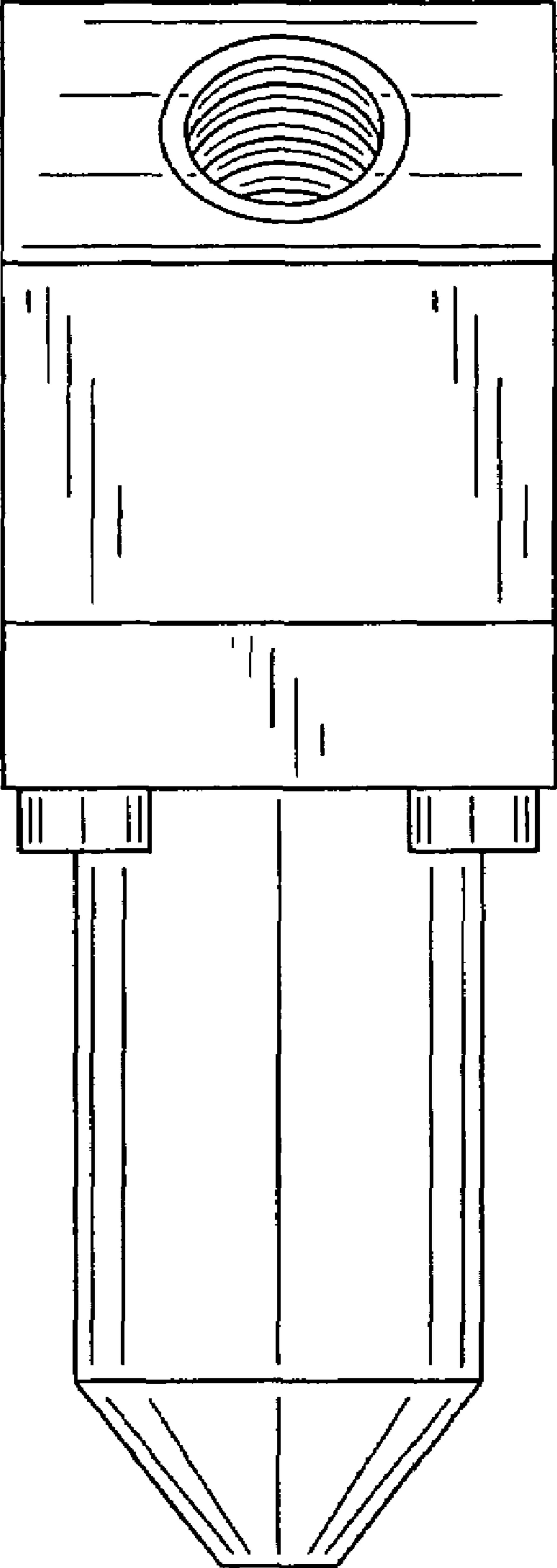


Fig.3

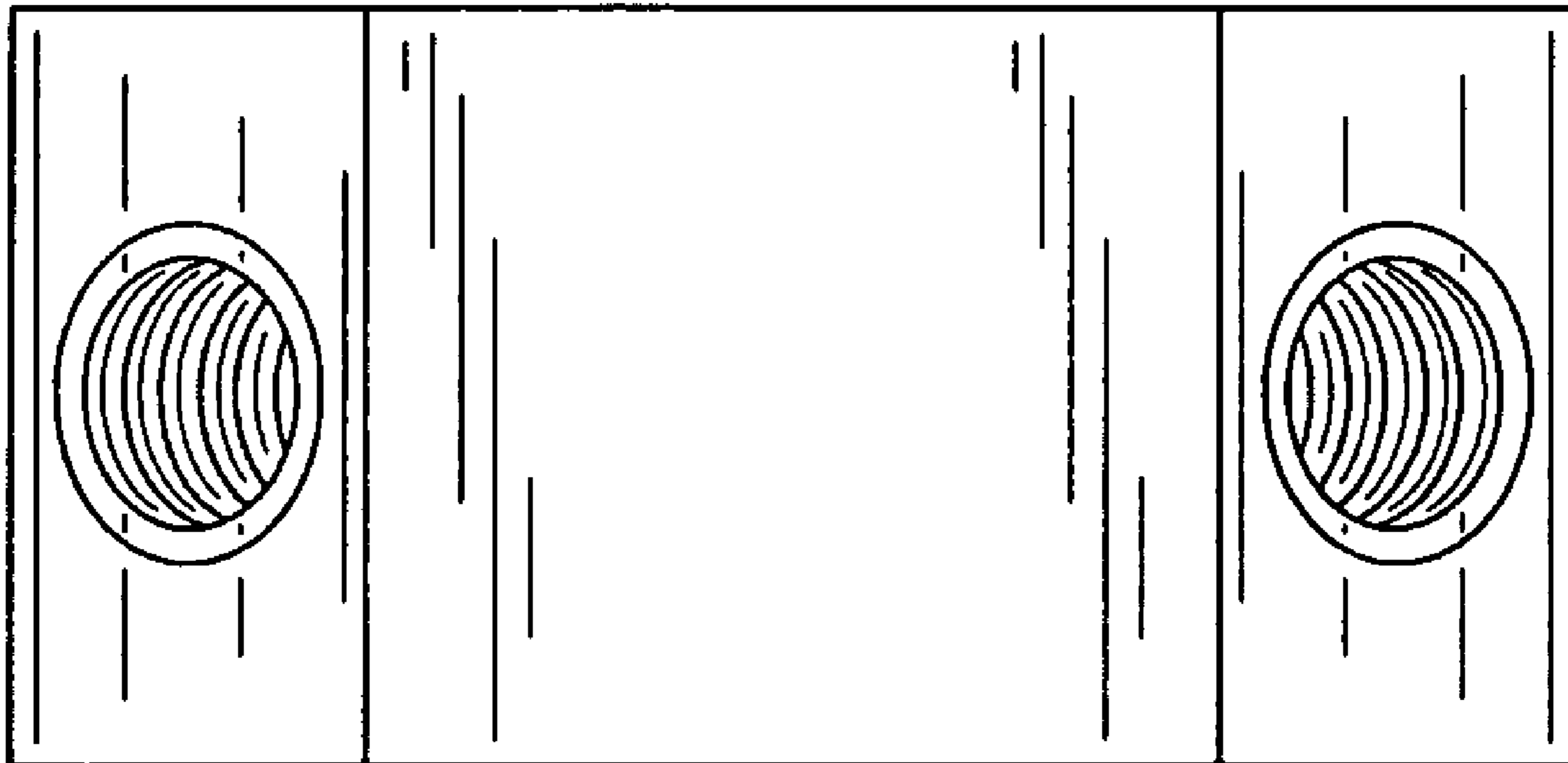


Fig.4

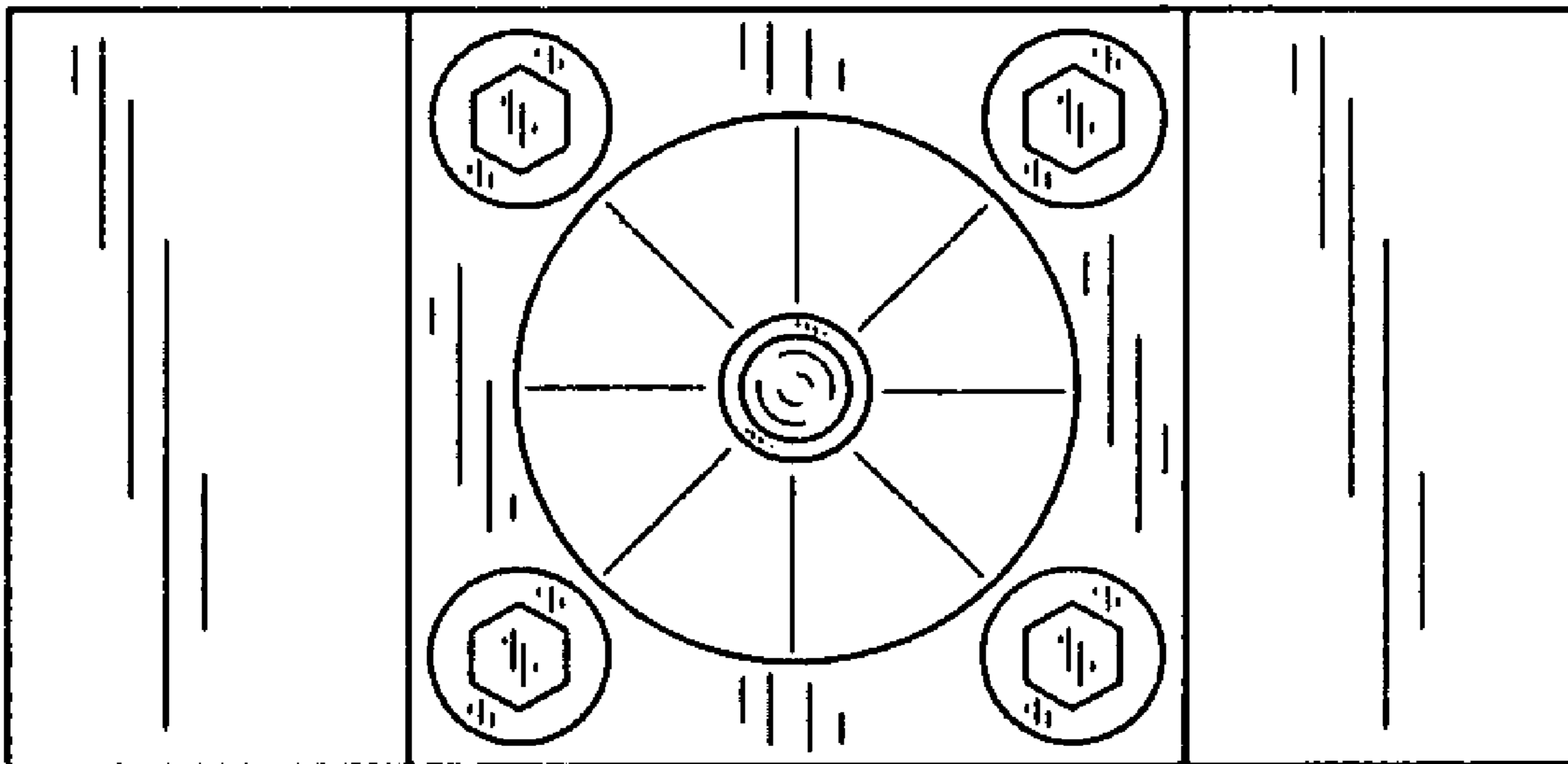


Fig.5

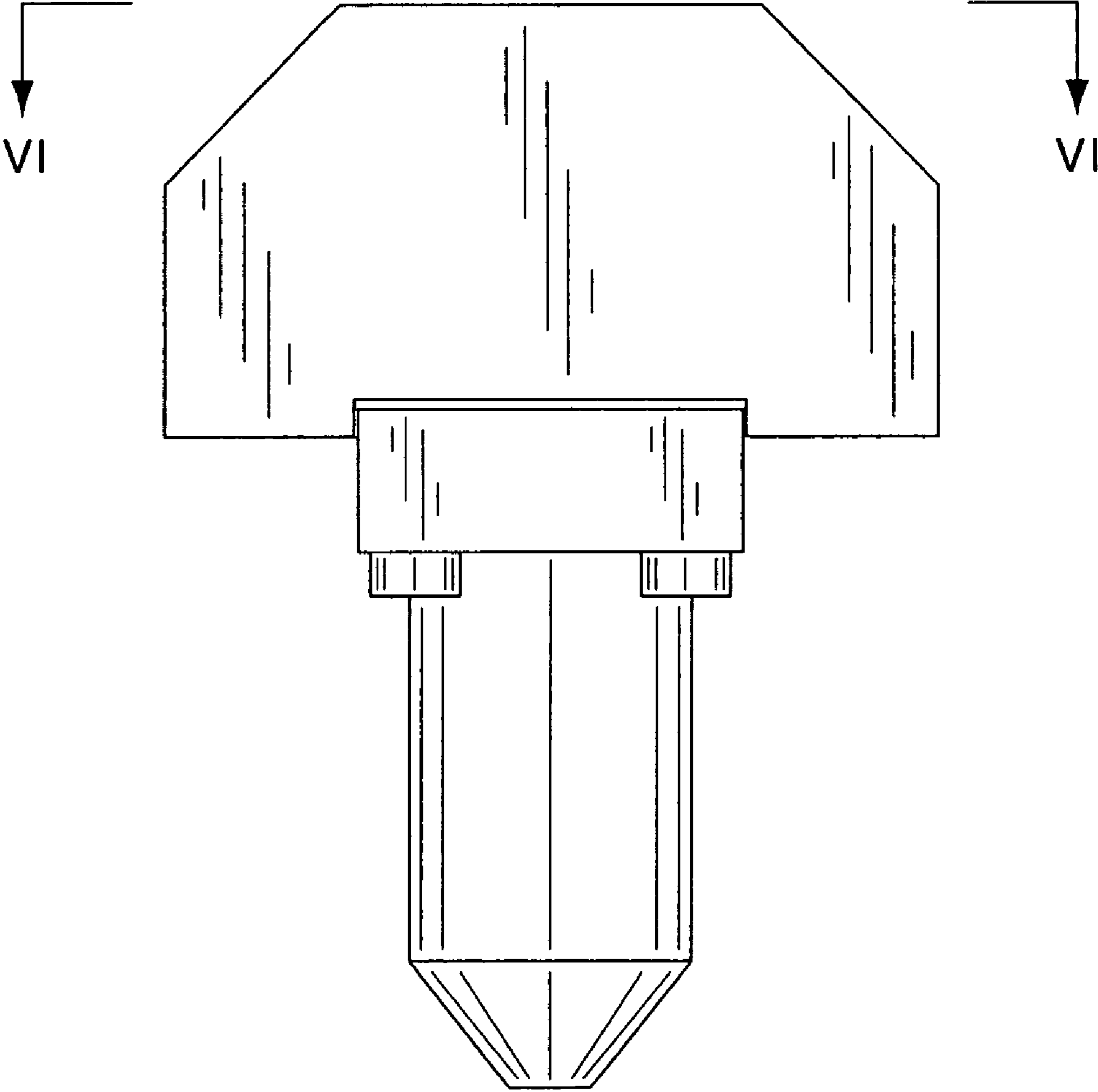


Fig.6

