



US00D607082S

(12) **United States Design Patent**
Harper et al.

(10) **Patent No.:** **US D607,082 S**
(45) **Date of Patent:** **** Dec. 29, 2009**

- (54) **ARTIFICIAL REEF**
- (75) Inventors: **Larry Harper**, Clinton, KY (US); **Steve Larkin**, Columbus, KY (US)
- (73) Assignee: **Cedars, Ltd.**, Fulton, KY (US)
- (**) Term: **14 Years**
- (21) Appl. No.: **29/336,907**
- (22) Filed: **May 12, 2009**

- 3,655,063 A 4/1972 Landry
- 3,661,121 A 5/1972 Zielin
- 3,779,623 A 12/1973 Motohashi
- 3,864,049 A 2/1975 Ono
- 3,898,958 A 8/1975 Pranis, Jr.
- 3,907,116 A 9/1975 Wolf et al.
- 3,991,576 A 11/1976 Tazaki et al.
- 4,065,195 A 12/1977 Fahmie
- 4,129,975 A 12/1978 Gabriel
- 4,196,694 A 4/1980 Buchanan
- 4,439,058 A 3/1984 Le Mehaute
- 4,452,005 A 6/1984 Poirot
- 4,471,552 A 9/1984 McIntosh et al.

Related U.S. Application Data

- (63) Continuation-in-part of application No. 11/154,859, filed on Jun. 16, 2005, now abandoned, which is a continuation-in-part of application No. 10/765,225, filed on Jan. 26, 2004, now abandoned.

(Continued)

- (51) **LOC (9) Cl.** **22-99**
- (52) **U.S. Cl.** **D22/199**
- (58) **Field of Classification Search** D22/199;
256/1; 446/126; 434/211; 273/DIG. 2; 119/221;
405/24-25, 29, 33
See application file for complete search history.

OTHER PUBLICATIONS

Habitat Artificial Fish Attractor; Website jandjhabitat.com (7 print-outs).

Primary Examiner—Catherine R Oliver
(74) *Attorney, Agent, or Firm*—Fraser Clemens; Martin & Miller LLC; Donald R. Fraser

(56) **References Cited**

U.S. PATENT DOCUMENTS

- 1,198,263 A * 9/1916 Pajaeu 446/126
- 1,639,387 A 8/1927 Seward
- 1,669,185 A 5/1928 Beiger
- 1,800,052 A 4/1931 Brumbaugh
- 2,142,371 A 1/1939 Peles
- 2,803,113 A * 8/1957 Hoad 405/29
- 2,845,896 A 8/1958 Copeland
- 3,008,719 A 11/1961 Misko
- 3,080,662 A 3/1963 Brumlik
- 3,181,922 A 5/1965 McBean
- 3,199,683 A 8/1965 Graswish
- 3,267,679 A 8/1966 Morse
- 3,286,391 A 11/1966 Mengerlinghausen
- 3,323,310 A 6/1967 Arpin
- 3,399,535 A 9/1968 O'Neill
- 3,517,912 A * 6/1970 Foley 256/1
- 3,600,825 A 8/1971 Pearce

(57) **CLAIM**

The ornamental design for an artificial reef, as shown and described.

DESCRIPTION

FIG. 1 is a perspective view of an artificial reef embodying the features of the new design;

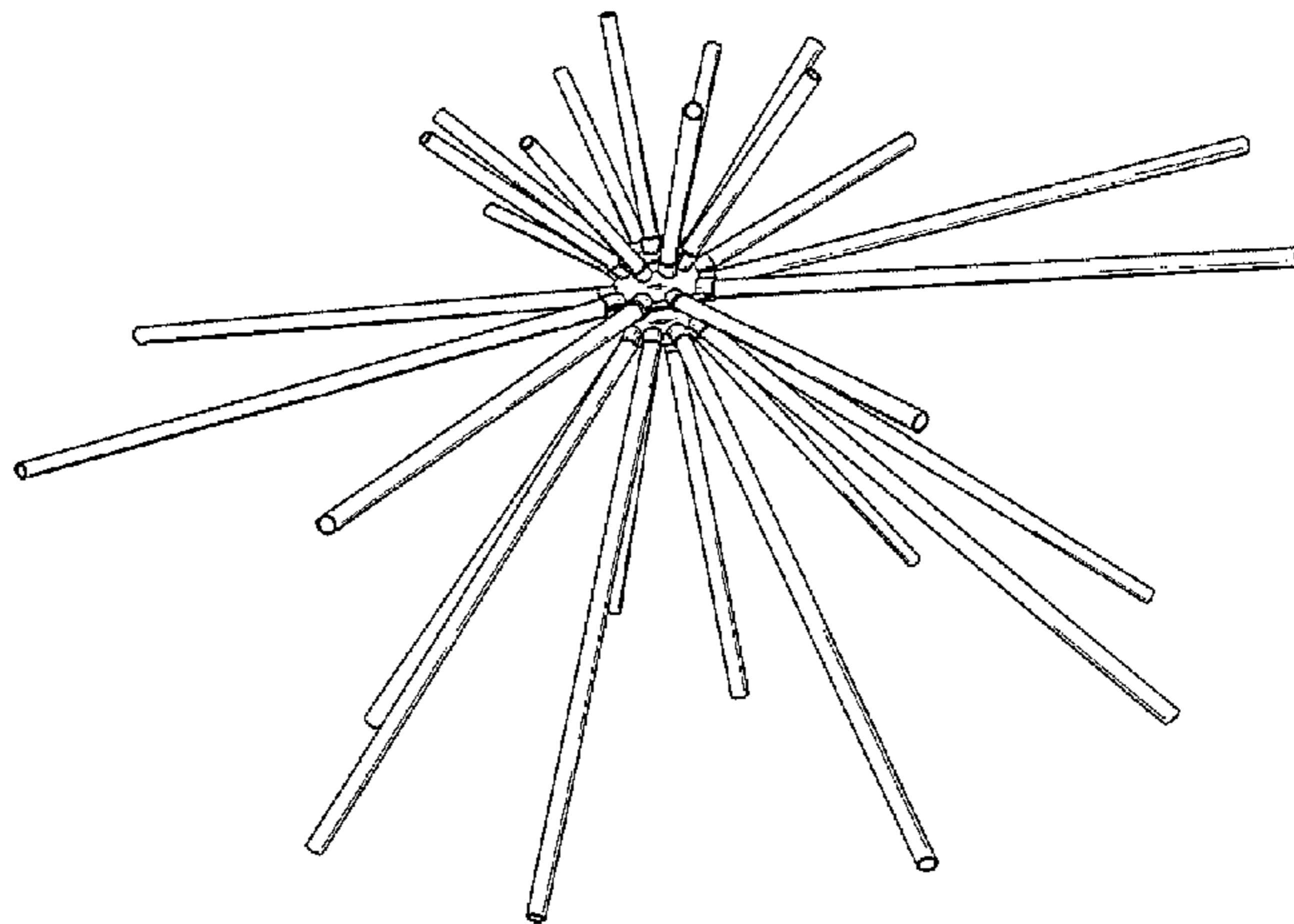
FIG. 2 is a front elevational view thereof, the left side elevational view, the right side elevational view, and the rear elevational view are identical to FIG. 2;

FIG. 3 is an elevational view of the artificial reef midway between adjacent outwardly extending members to more clearly illustrate the new design;

FIG. 4 is a top plan view thereof; and,

FIG. 5 is a bottom plan view thereof.

1 Claim, 3 Drawing Sheets



US D607,082 S

Page 2

U.S. PATENT DOCUMENTS

4,502,741 A	3/1985	DeVries et al.	D359,094 S	6/1995	Brovelli
4,579,401 A	4/1986	Mears	5,427,049 A	6/1995	Mardikian
4,651,713 A	3/1987	Ondrasik, II	5,472,270 A	12/1995	Czarnecky et al.
4,658,759 A	4/1987	Brown	5,555,670 A	9/1996	Troutman, Jr.
4,699,089 A	10/1987	Teschke	5,651,209 A	7/1997	Rainey
4,727,672 A	3/1988	Hill et al.	5,678,954 A	10/1997	Bestmann
4,916,845 A	4/1990	Aydelette et al.	5,823,710 A	10/1998	Dooley
4,947,791 A	8/1990	Laier et al.	D425,727 S	5/2000	Ishikawa
4,976,223 A	12/1990	Pierce	6,234,715 B1	5/2001	Ono
4,993,362 A	2/1991	Jimbo	D446,611 S	8/2001	Gunter
5,000,124 A	3/1991	Bergen	6,269,582 B1	8/2001	Feld
5,054,431 A	10/1991	Coviello	6,422,673 B1	7/2002	Bienick
RE33,785 E	12/1991	Hildebrandt et al.	6,464,429 B2 *	10/2002	Moore 405/24
5,109,796 A	5/1992	Monus	6,523,497 B2	2/2003	Smith
5,174,681 A	12/1992	Atkinson et al.	6,626,509 B2	9/2003	Remmers
5,180,323 A	1/1993	Justice	6,641,453 B1	11/2003	Morales et al.
D335,007 S	4/1993	McPhee	6,692,091 B2	2/2004	Mulaw
5,201,136 A	4/1993	LaMorte et al.	6,726,032 B2	4/2004	Sullivan
5,238,325 A	8/1993	Krenzler	6,840,699 B2	1/2005	Rogers et al.
5,272,829 A	12/1993	Roberts et al.	6,851,776 B2	2/2005	Bienick
5,340,349 A	8/1994	Berg-Fernstrum	D506,294 S	6/2005	Boje
5,345,706 A	9/1994	Brown	6,920,986 B2	7/2005	Lacombe et al.
5,400,552 A	3/1995	Negre	2002/0119006 A1	8/2002	Moore

* cited by examiner

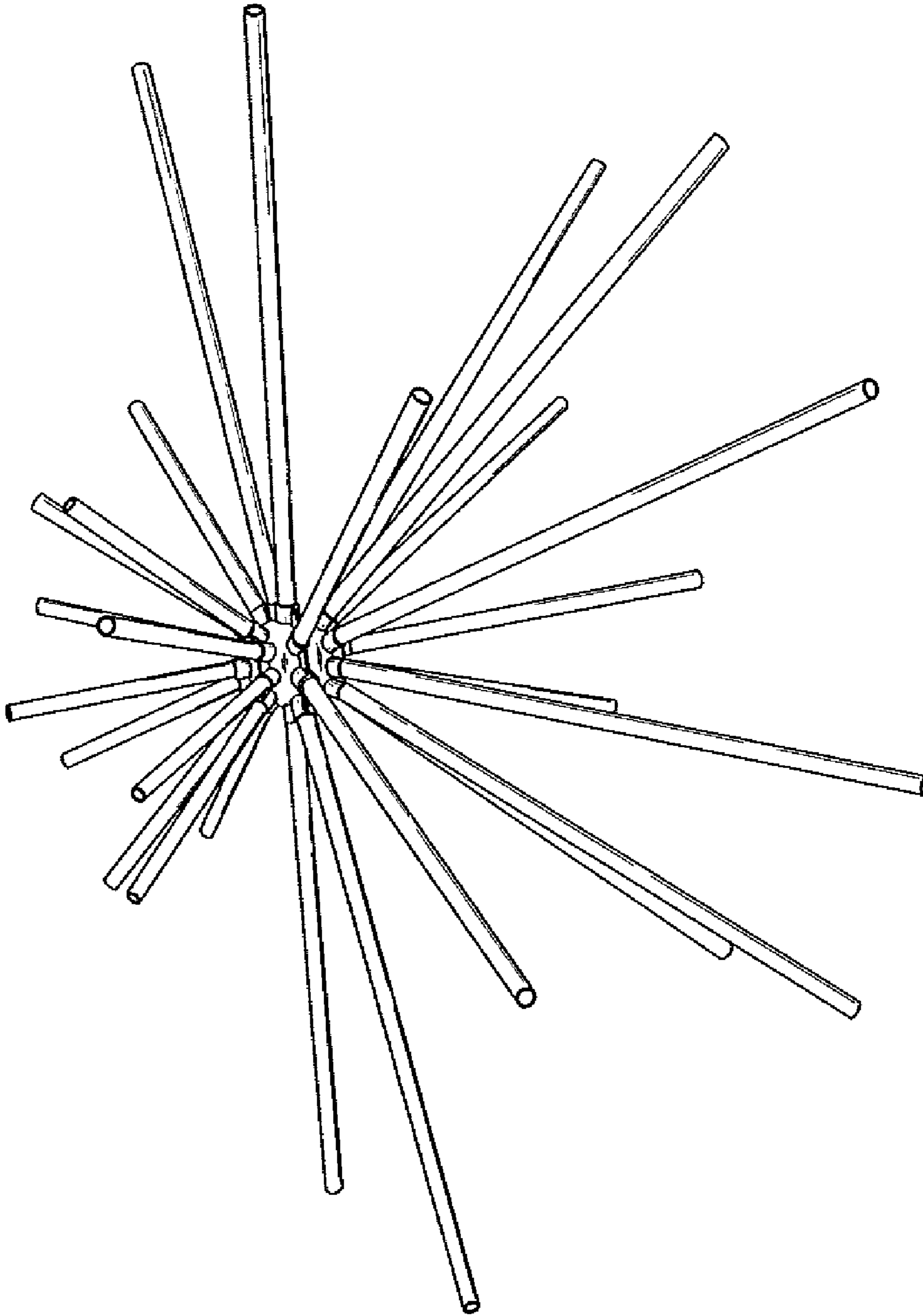


FIG. 1

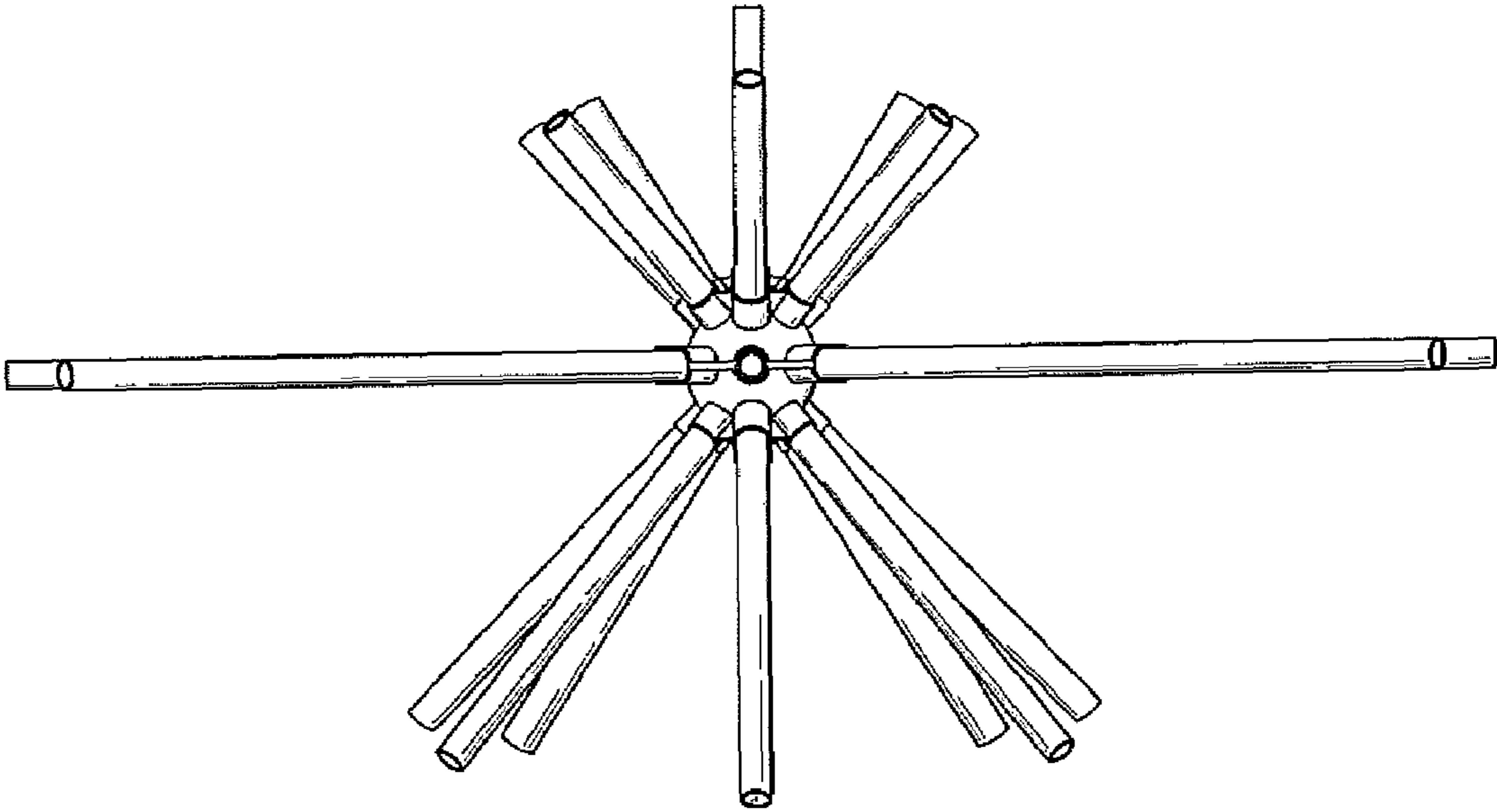


FIG. 2

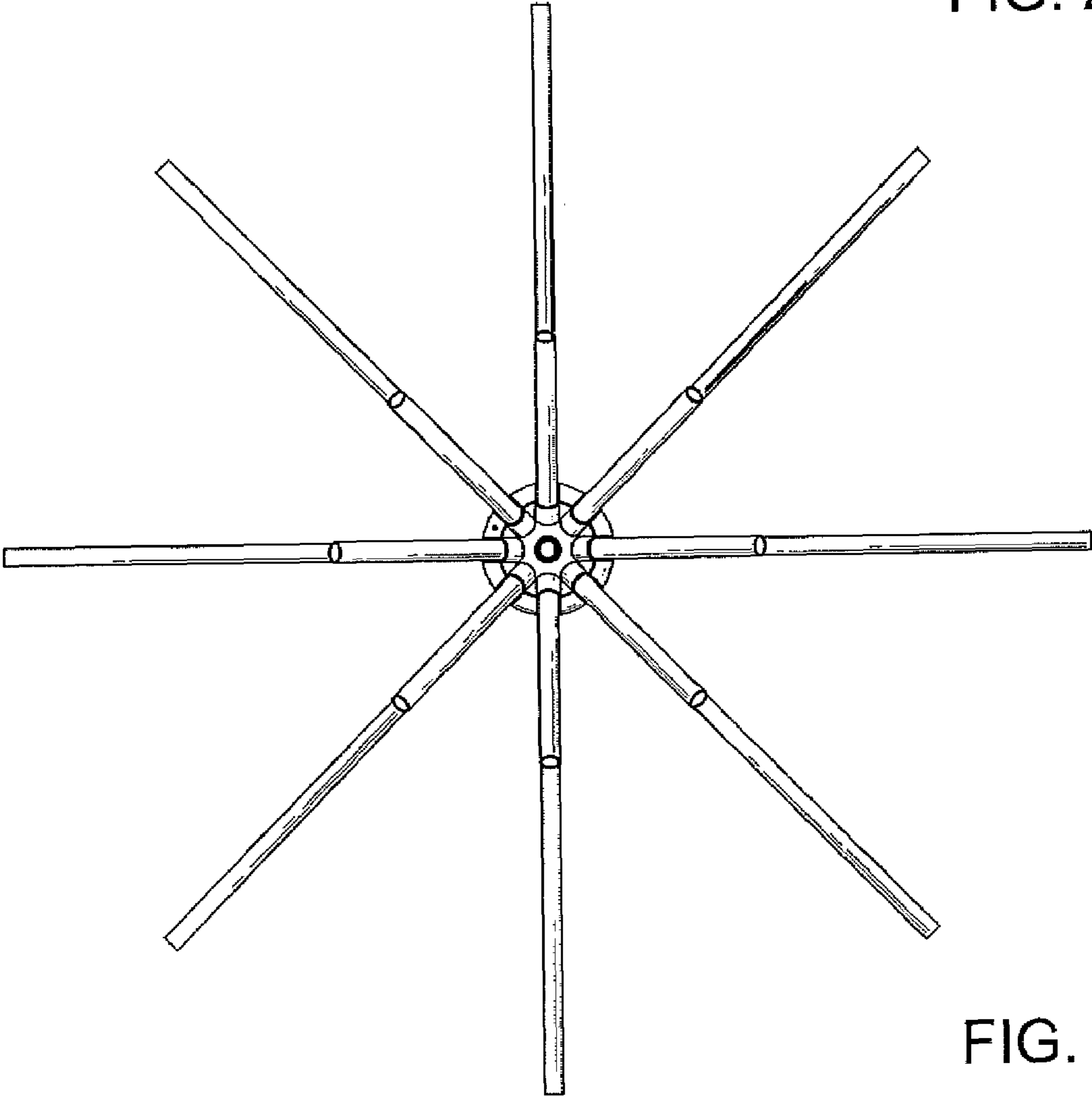


FIG. 4

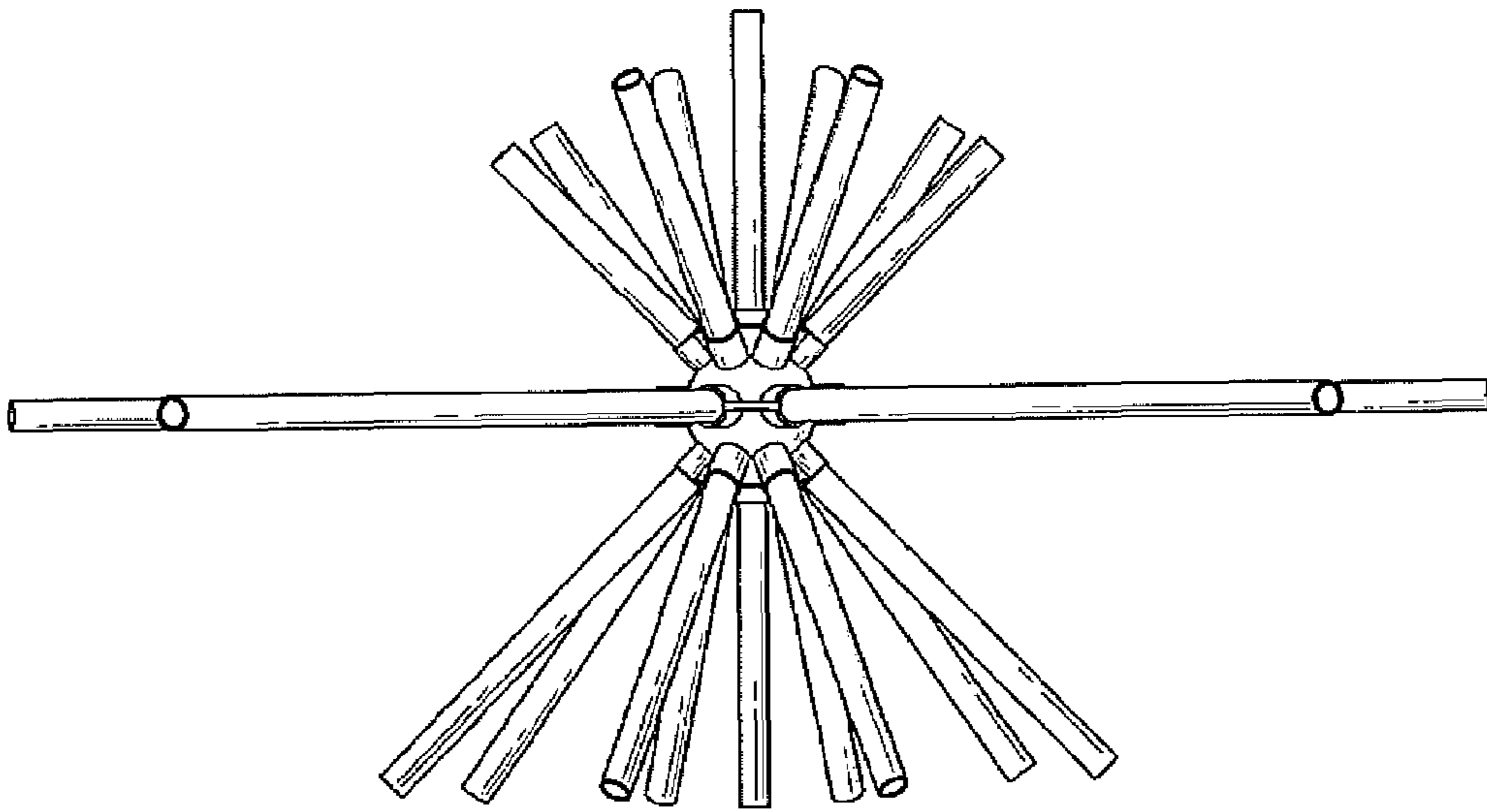


FIG. 3

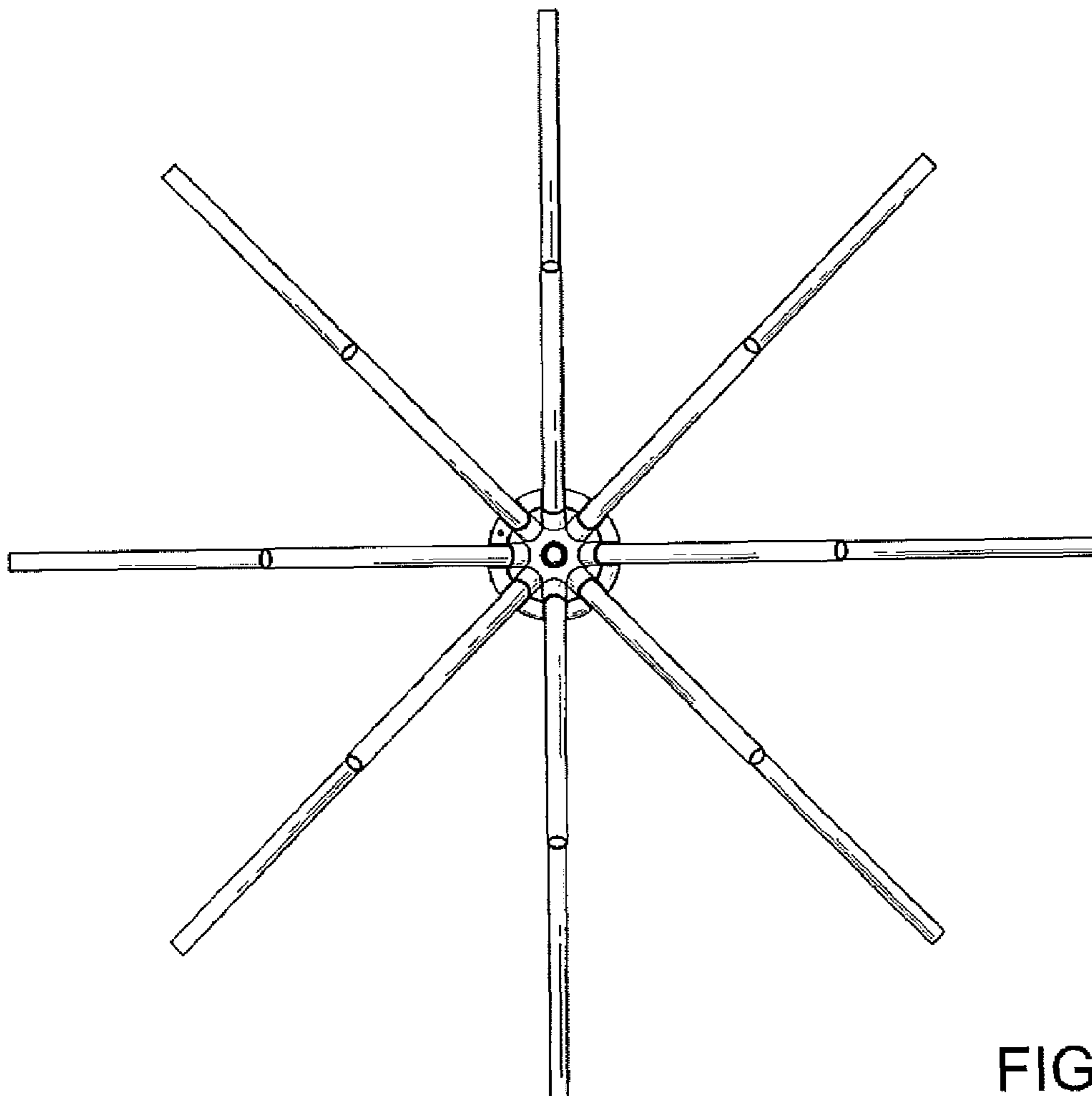


FIG. 5