



US00D607080S

(12) **United States Design Patent**  
**Lovelace**

(10) **Patent No.:** **US D607,080 S**

(45) **Date of Patent:** **\*\* Dec. 29, 2009**

(54) **MOUSETRAP COVER**

(75) Inventor: **Jon W. Lovelace**, Earlham, IA (US)

(73) Assignee: **Kness Mfg. Co., Inc.**, Albia, IA (US)

(\*\*) Term: **14 Years**

(21) Appl. No.: **29/336,771**

(22) Filed: **May 8, 2009**

(51) **LOC (9) Cl.** ..... **22-05**

(52) **U.S. Cl.** ..... **D22/119**

(58) **Field of Classification Search** ..... D22/119-124;  
43/58, 60-61, 68, 76, 81, 112-114, 124,  
43/131, 132.1; D23/335, 342

See application file for complete search history.

(56) **References Cited**

**U.S. PATENT DOCUMENTS**

2,225,251	A *	12/1940	Andrick	.....	43/61
4,400,905	A	8/1983	Brown		
4,541,198	A	9/1985	Sherman		
D346,199	S *	4/1994	Spragins et al.	.....	D22/119
D382,048	S *	8/1997	Bennett	.....	D23/335
6,266,917	B1	7/2001	Hight		
6,370,813	B1	4/2002	Nelson et al.		

6,389,738	B1	5/2002	Denny et al.		
D459,428	S *	6/2002	Johnson et al.	.....	D22/119
6,622,422	B2	9/2003	Gehret et al.		
D590,040	S *	4/2009	Jovic et al.	.....	D22/119
2005/0102887	A1	5/2005	Lang et al.		

\* cited by examiner

*Primary Examiner*—Catherine R Oliver

(74) *Attorney, Agent, or Firm*—McKee, Voorhees & Sease, P.L.C.

(57) **CLAIM**

I claim the ornamental design for a mousetrap cover, substantially as shown.

**DESCRIPTION**

FIG. 1 is a front perspective view of the mousetrap cover of the present invention.

FIG. 2 is a front elevational view thereof.

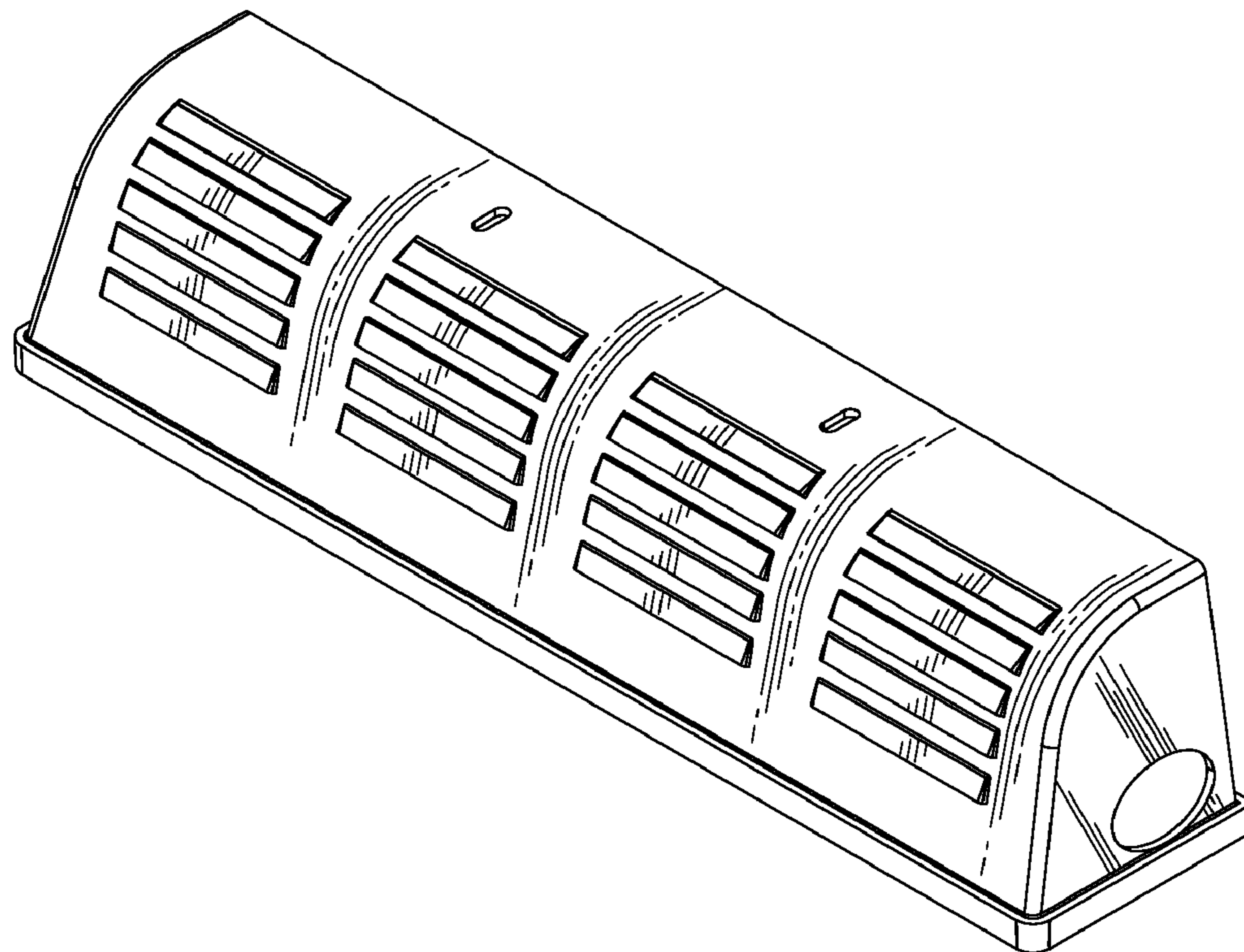
FIG. 3 is a rear elevational view thereof.

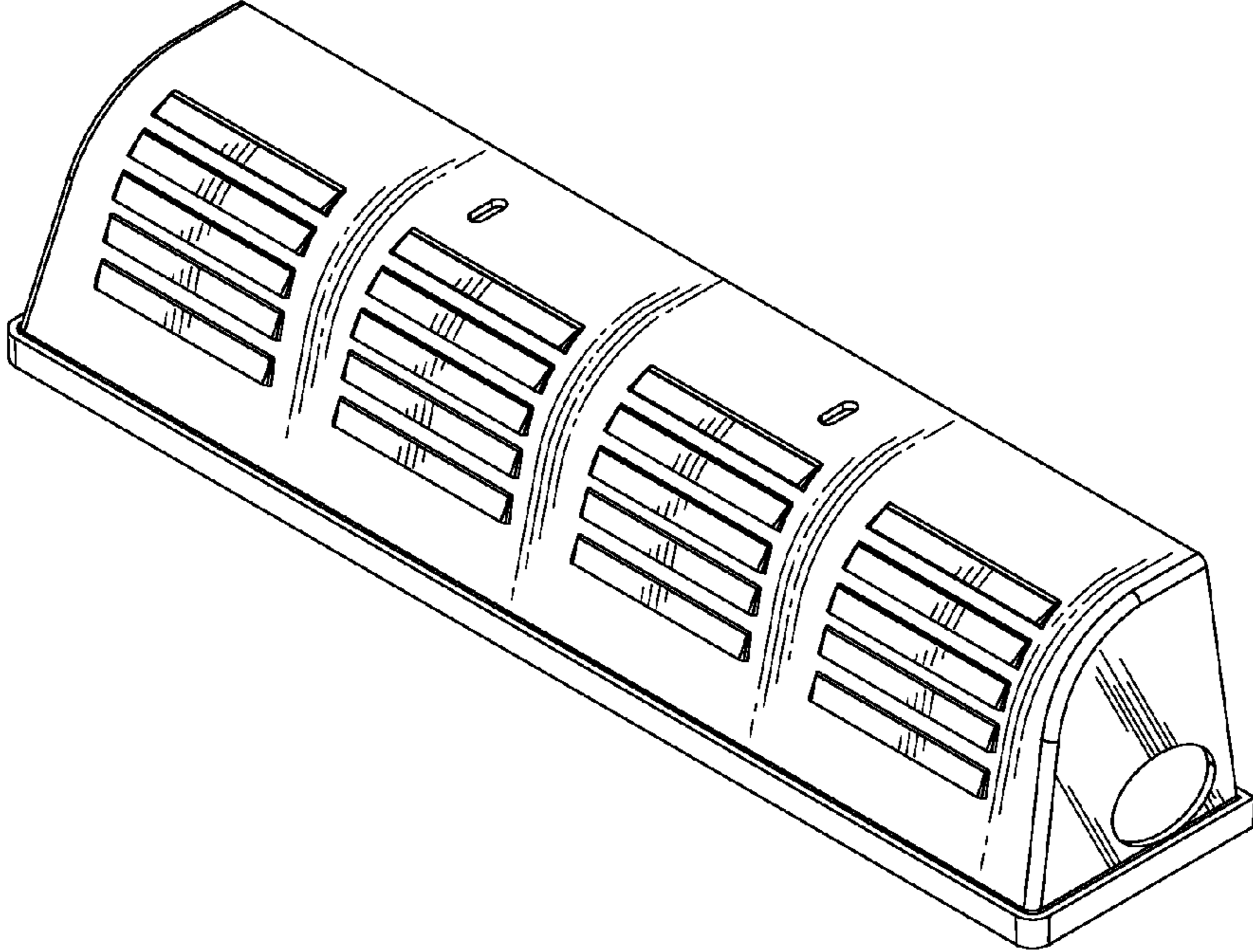
FIG. 4 is a left-side elevational view of the mousetrap cover, the right-side elevational view being a mirror image thereof.

FIG. 5 is a top plan view thereof; and,

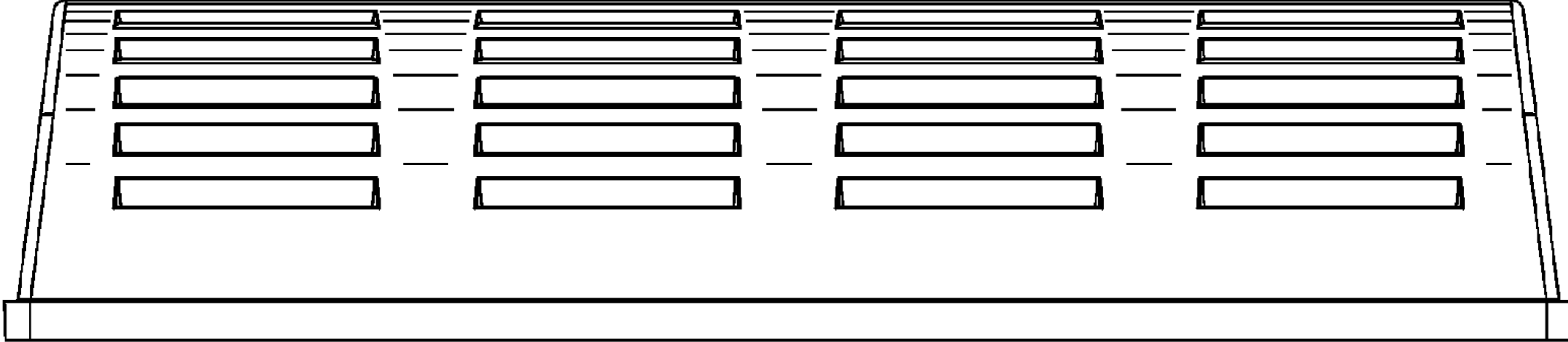
FIG. 6 is a bottom plan view thereof.

**1 Claim, 3 Drawing Sheets**

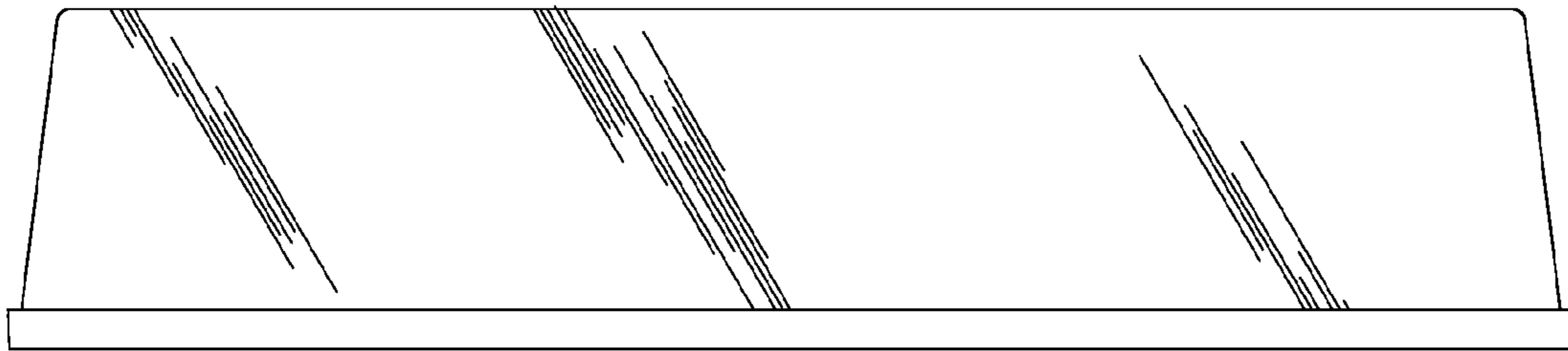




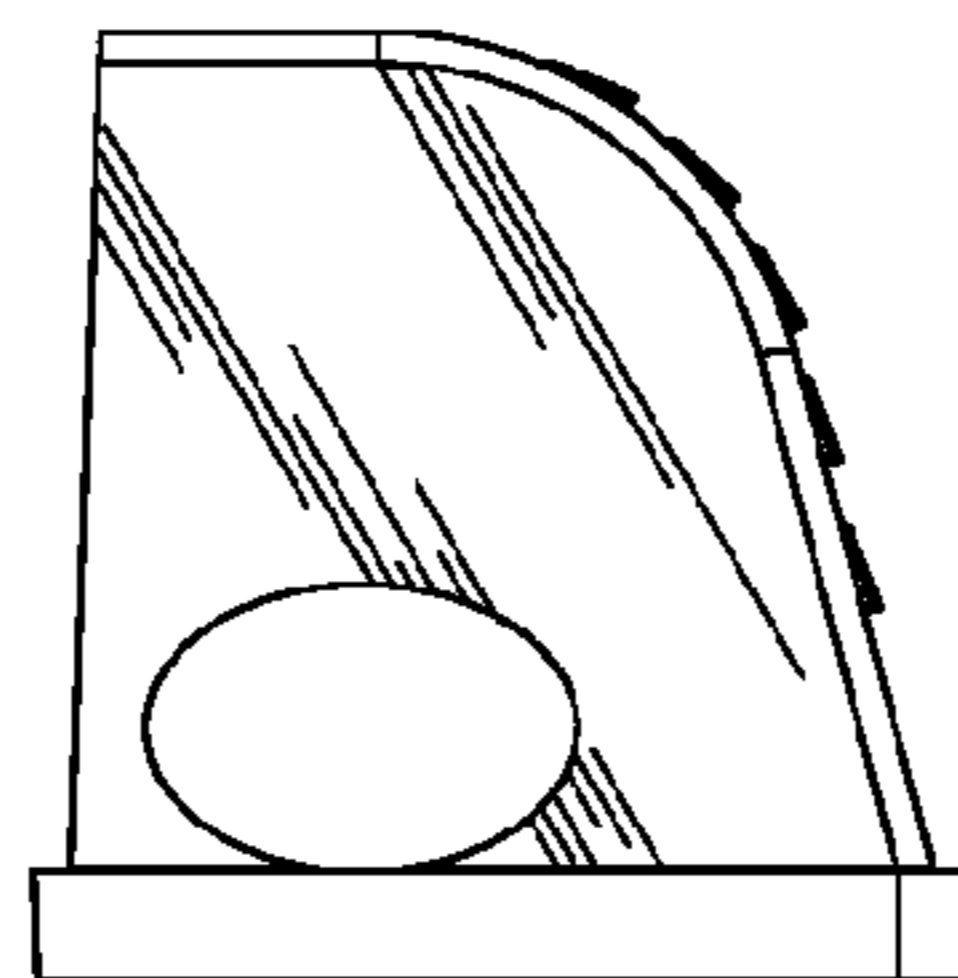
*Fig. 1*



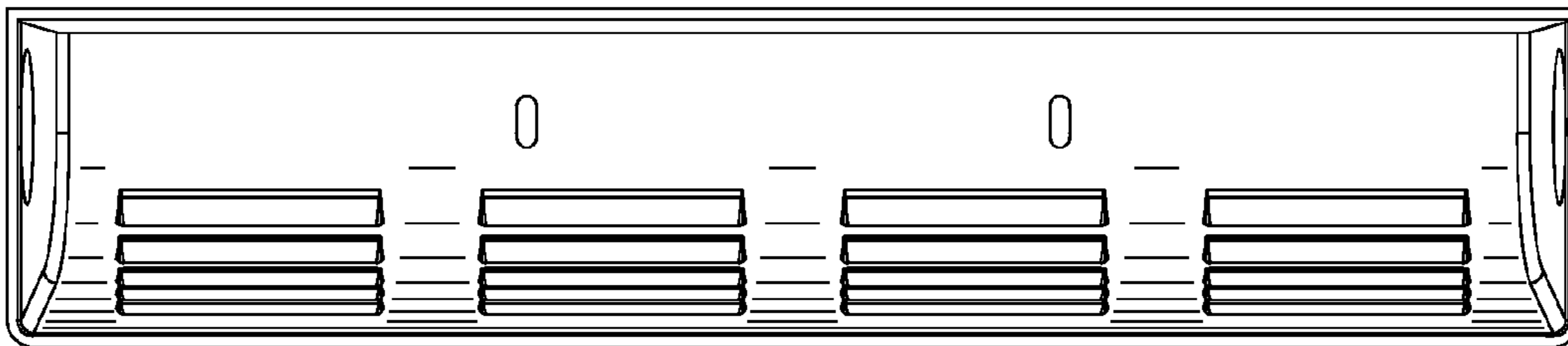
*Fig. 2*



*Fig. 3*



*Fig. 4*



*Fig. 5*



*Fig. 6*