



US00D607079S

(12) **United States Design Patent**
Moody et al.

(10) **Patent No.:** **US D607,079 S**
(45) **Date of Patent:** **** Dec. 29, 2009**

(54) **RAIL MOUNT FOR VERTICAL FORE GRIPS**

- (75) Inventors: **Joseph R. Moody**, Jacksonville, FL (US); **Joseph D. Gaddini**, Ashville, NC (US)
- (73) Assignee: **Grip Pod Systems, L.L.C.**, Jacksonville, FL (US)
- (**) Term: **14 Years**
- (21) Appl. No.: **29/299,849**
- (22) Filed: **Jan. 4, 2008**

Related U.S. Application Data

- (63) Continuation-in-part of application No. 29/296,039, filed on Oct. 12, 2007, now Pat. No. Des. 594,925, which is a continuation-in-part of application No. 11/652,337, filed on Jan. 11, 2007, now Pat. No. 7,568,304, which is a continuation-in-part of application No. 11/485,762, filed on Jul. 13, 2006, now Pat. No. 7,490,429, which is a continuation-in-part of application No. 10/725,082, filed on Dec. 2, 2003, now Pat. No. 7,111,424.
- (51) **LOC (9) Cl.** **22-01**
- (52) **U.S. Cl.** **D22/109**
- (58) **Field of Classification Search** D22/100, D22/108, 109, 110, 199; 42/11, 72, 75.02, 42/71.01, 85, 90, 106, 114, 113, 116, 119, 42/124, 125, 127, 145, 128; 248/201, 205.1
See application file for complete search history.

(56) **References Cited**

U.S. PATENT DOCUMENTS

- 271,251 A 1/1883 Leerbech, et al.
- 575,529 A 1/1897 Stephens

(Continued)

FOREIGN PATENT DOCUMENTS

- FR 2623595 5/1989

OTHER PUBLICATIONS

Denis H.R. Archer, M.A., *Jane's Infantry Weapons*, (1976) pp. 1-3.

(Continued)

Primary Examiner—T. Chase Nelson

Assistant Examiner—Michael A Pratt

(74) *Attorney, Agent, or Firm*—Brian S. Steinberger; Law Offices of Brian S. Steinberger, P.A.

(57) **CLAIM**

The ornamental design for rail mount for vertical fore grips, as shown and described.

DESCRIPTION

FIG. 1 is an upper front left perspective of an accessory rail mount design for a foregrip.

FIG. 2 is an upper front right perspective view of the design of FIG. 1.

FIG. 3 is an upper rear right perspective view of the design of FIG. 1.

FIG. 4 is an upper rear left perspective view of the design of FIG. 1.

FIG. 5 is a lower front left perspective view of the design of FIG. 1.

FIG. 6 is a lower front right perspective view of the design of FIG. 1.

FIG. 7 is a front view of the design of FIG. 1.

FIG. 8 is a rear view of the design of FIG. 1.

FIG. 9 is a top view of the design of FIG. 1.

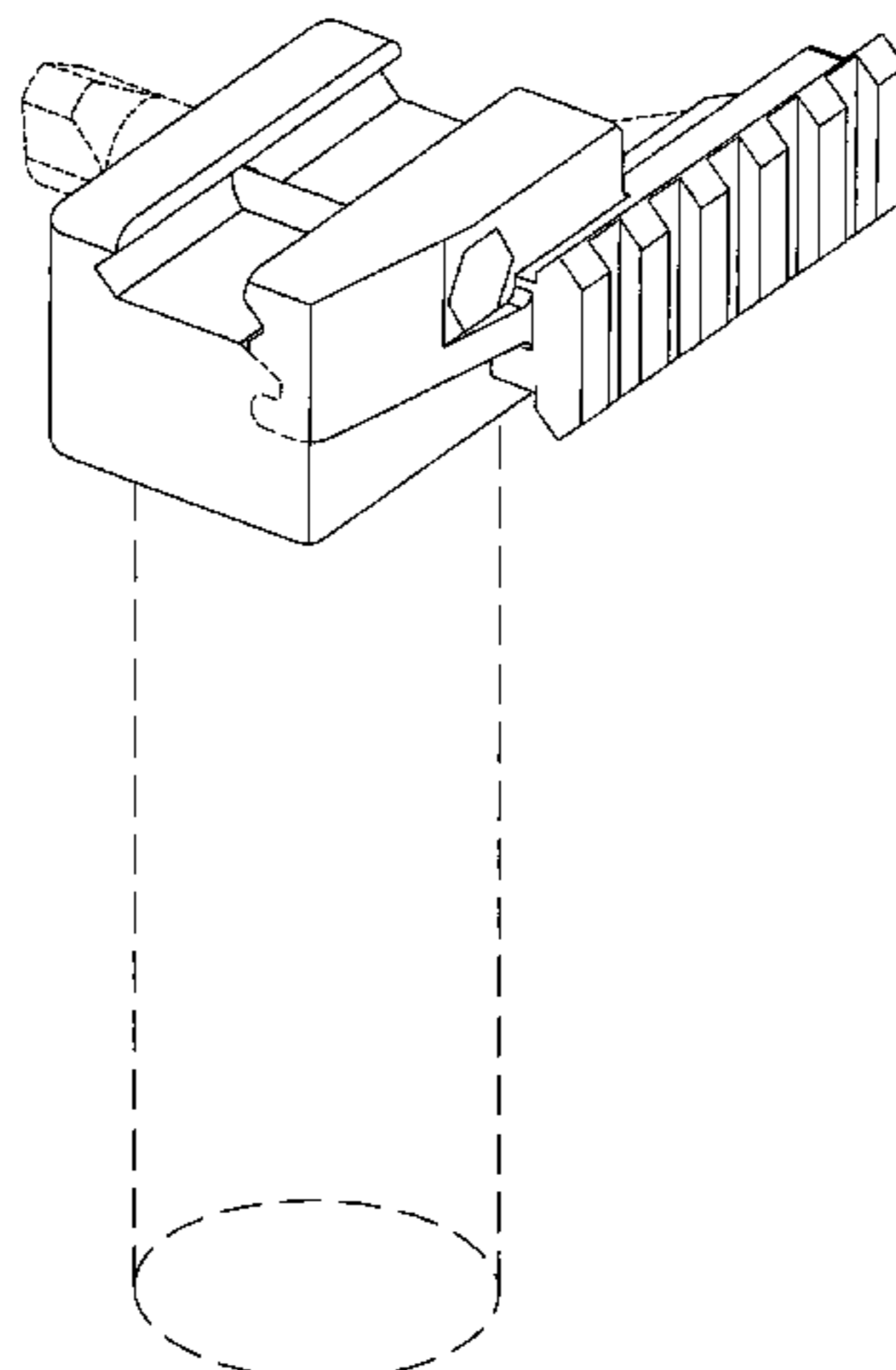
FIG. 10 is a bottom view of the design of FIG. 1.

FIG. 11 is a left side view of the design of FIG. 1; and,

FIG. 12 is a right side view of the design of FIG. 1.

The broken lines in FIGS. 1–12 are for illustrative purposes and form no part of the claimed design.

1 Claim, 11 Drawing Sheets



US D607,079 S

Page 2

U.S. PATENT DOCUMENTS

721,425 A 2/1903 Clyde
1,295,688 A 2/1919 Butler
1,355,660 A 10/1920 Farquhar, et al.
1,382,409 A 6/1921 Butler
1,580,406 A 4/1926 Browning
2,386,802 A 10/1945 Johnson
2,420,267 A 5/1947 Sefried
2,436,349 A 2/1948 Adams
2,489,283 A 11/1949 Garand
2,763,456 A 9/1956 Breer
3,235,997 A 2/1966 Stoner
3,632,073 A 1/1972 Nakatani
4,121,799 A 10/1978 Michio
4,545,660 A 10/1985 Rudolf
5,345,706 A 9/1994 Brown
5,384,609 A 1/1995 Ogawa et al.
5,438,786 A 8/1995 Hilderbrand
6,289,622 B1 9/2001 Desch, Jr. et al.
6,487,807 B1 12/2002 Kopman et al.
7,222,451 B2 * 5/2007 Keng et al. 42/94
D566,220 S * 4/2008 Moody et al. D22/108

2004/0000083 A1* 1/2004 Grant, Jr. 42/112
2004/0103577 A1* 6/2004 Compton 42/85
2005/0011104 A1* 1/2005 Oz 42/124
2005/0241206 A1 11/2005 Teetzel et al.
2006/0277809 A1* 12/2006 Moody et al. 42/72

OTHER PUBLICATIONS

Brugger & Thonnet Unipod, Forward grip with retractable bipod, [online] DSA Inc. Systems Second to None, DSA Order Center, 1 page, [Retrieved on Oct. 18, 2006] Retrieved from: <http://www.dsarms.com/item-detail.cfm?ID=BT21830A&storeid=1&image=bt21830A.gif>.

Command Arms Accessories, Flashlight Grip Adaptor, [online] Products, Grips, Pistol Grips, Forward Grips, 3 pages, [Retrieved on Jan. 4, 2008] Retrieved from: <http://www.commandarms.com/product.asp?plD=225&cID=12>.

KZ Tactical Foregrip Rail, The Ultimate Vertical Grip, [online] BotachTactical.com, KZ Tactical Foregrip Rail, 5 pages. [Retrieved on Jan. 4, 2008] Retrieved from: <http://www.botachtactical.com/kzozeplgr.html>.

* cited by examiner

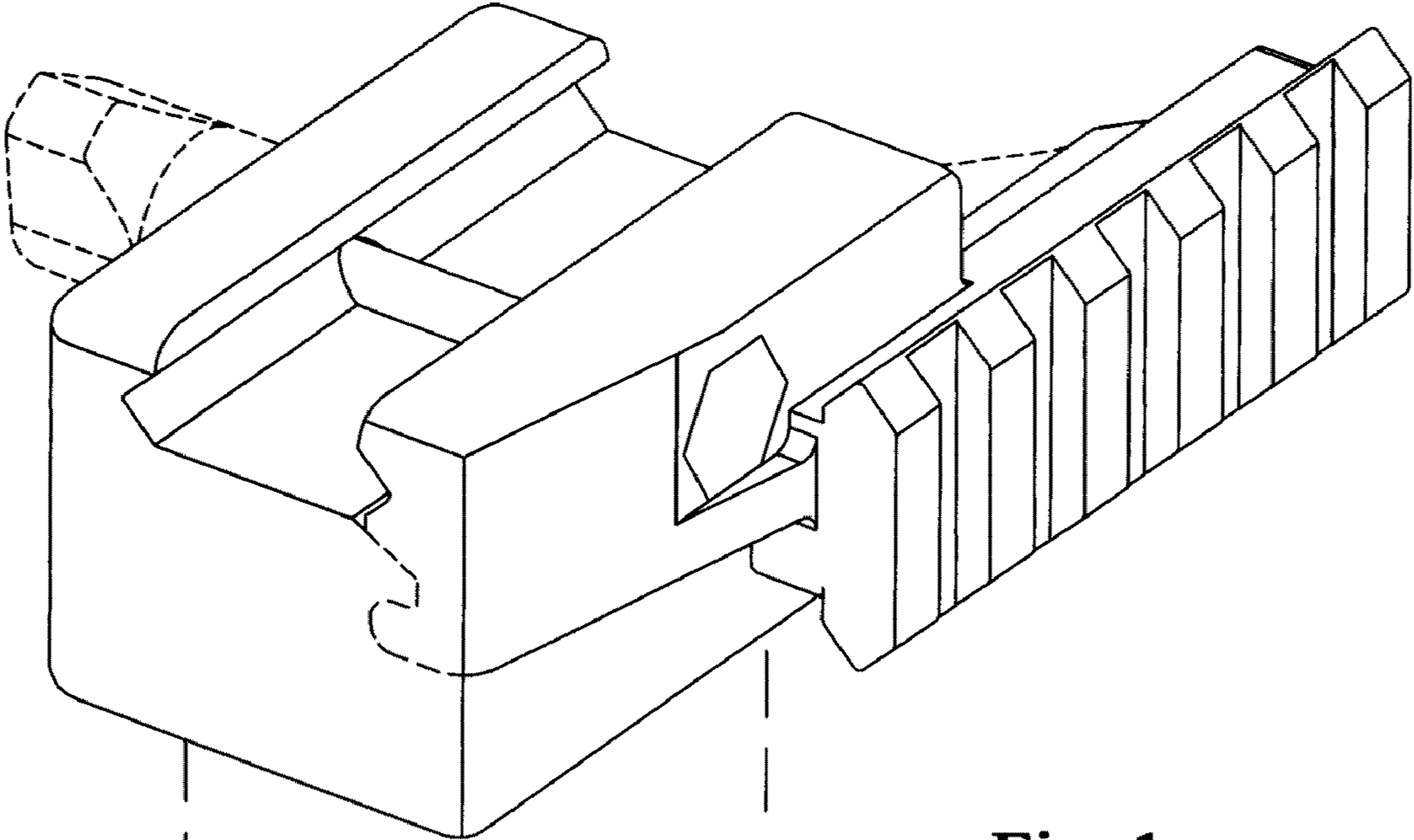


Fig. 1

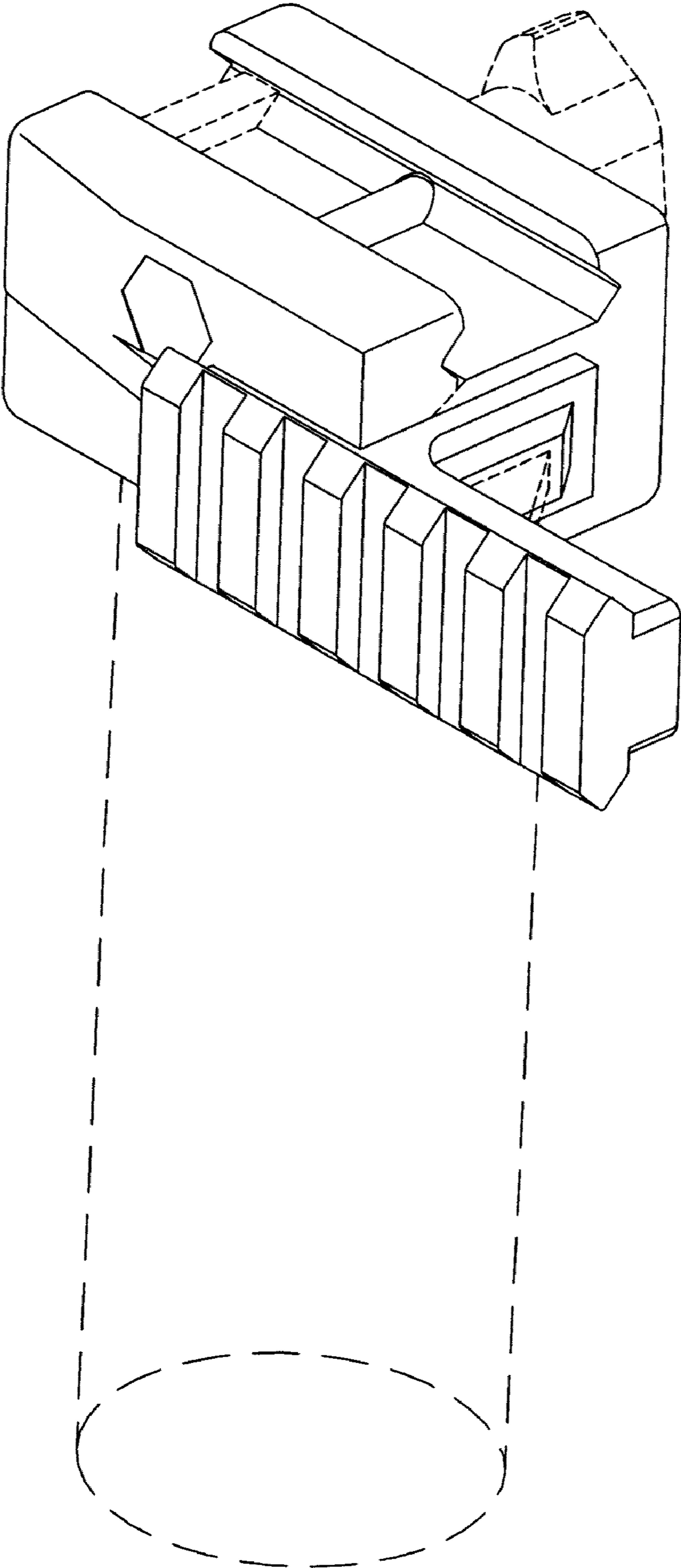


Fig. 2

Fig. 3

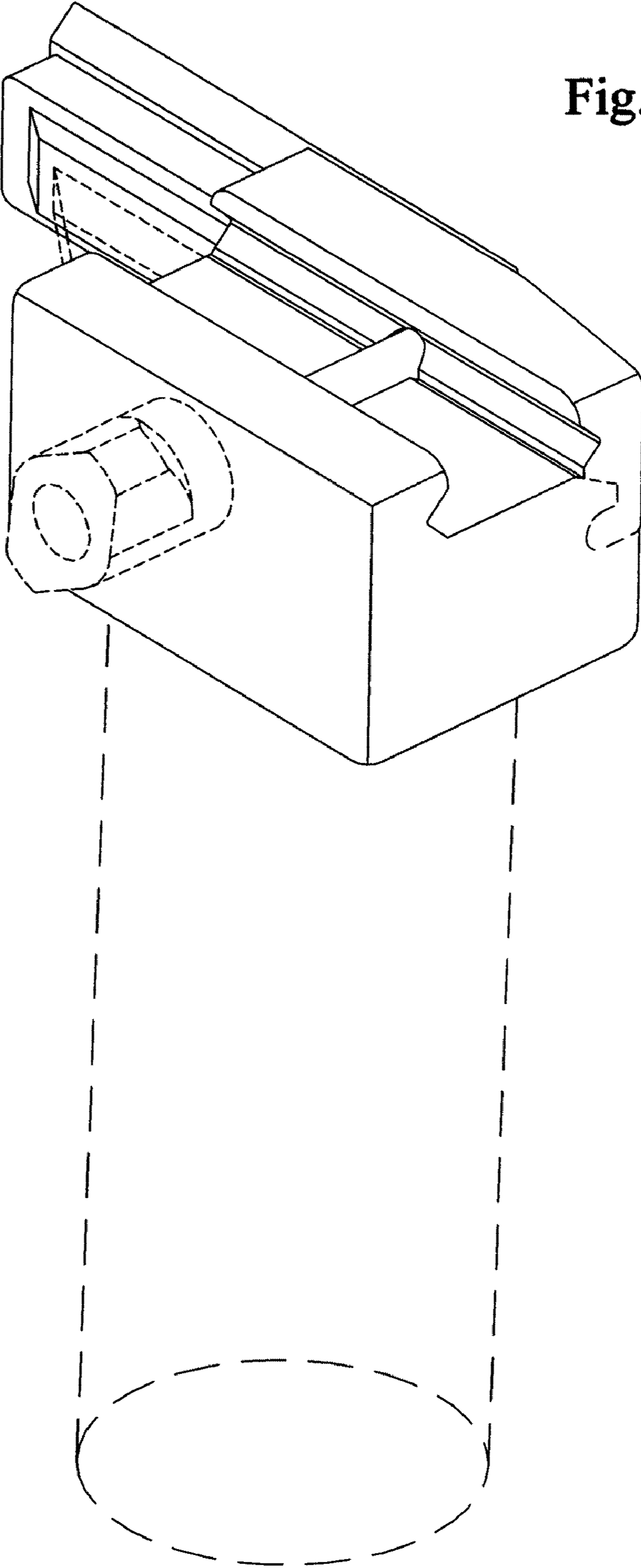


Fig. 4

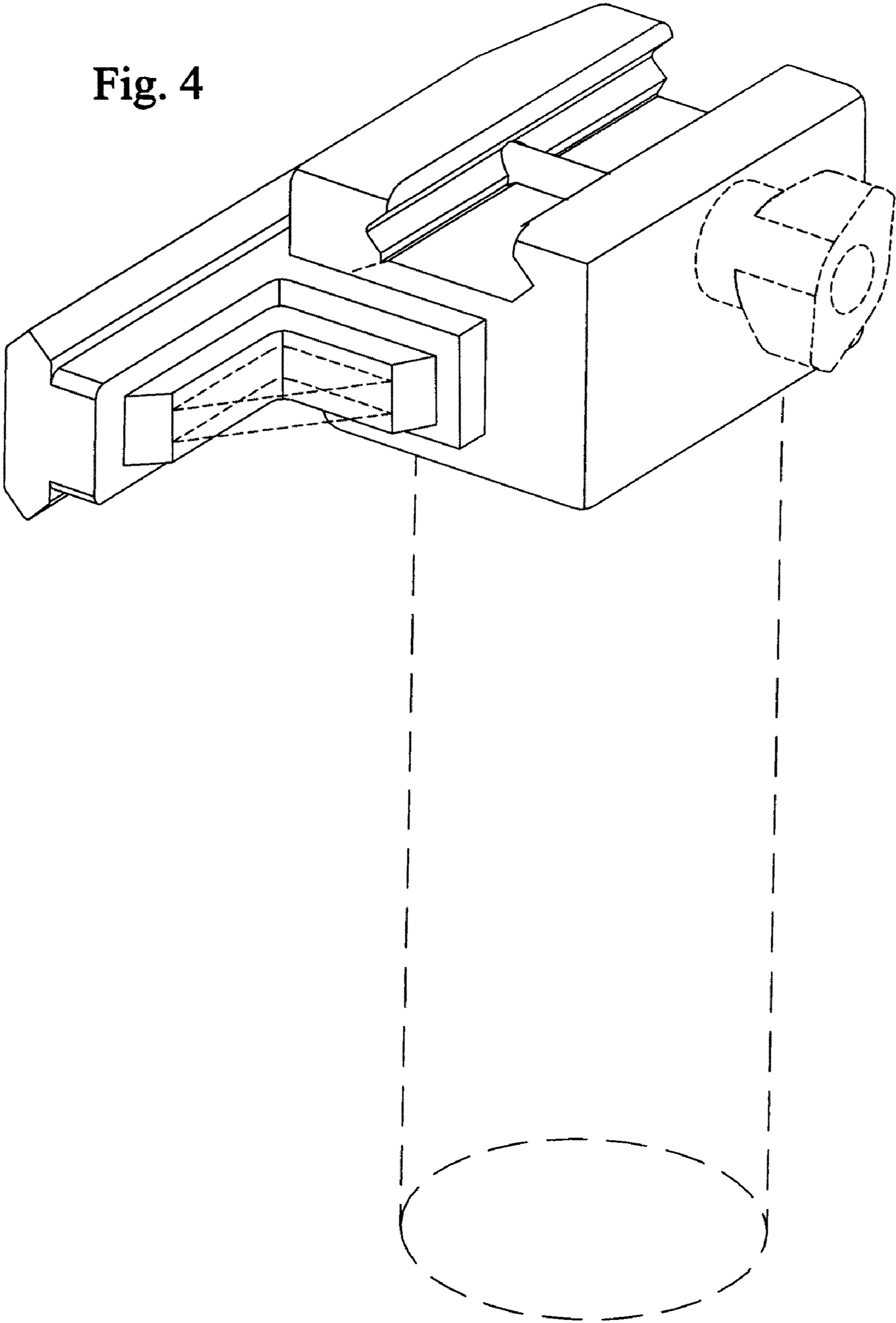


FIG. 5

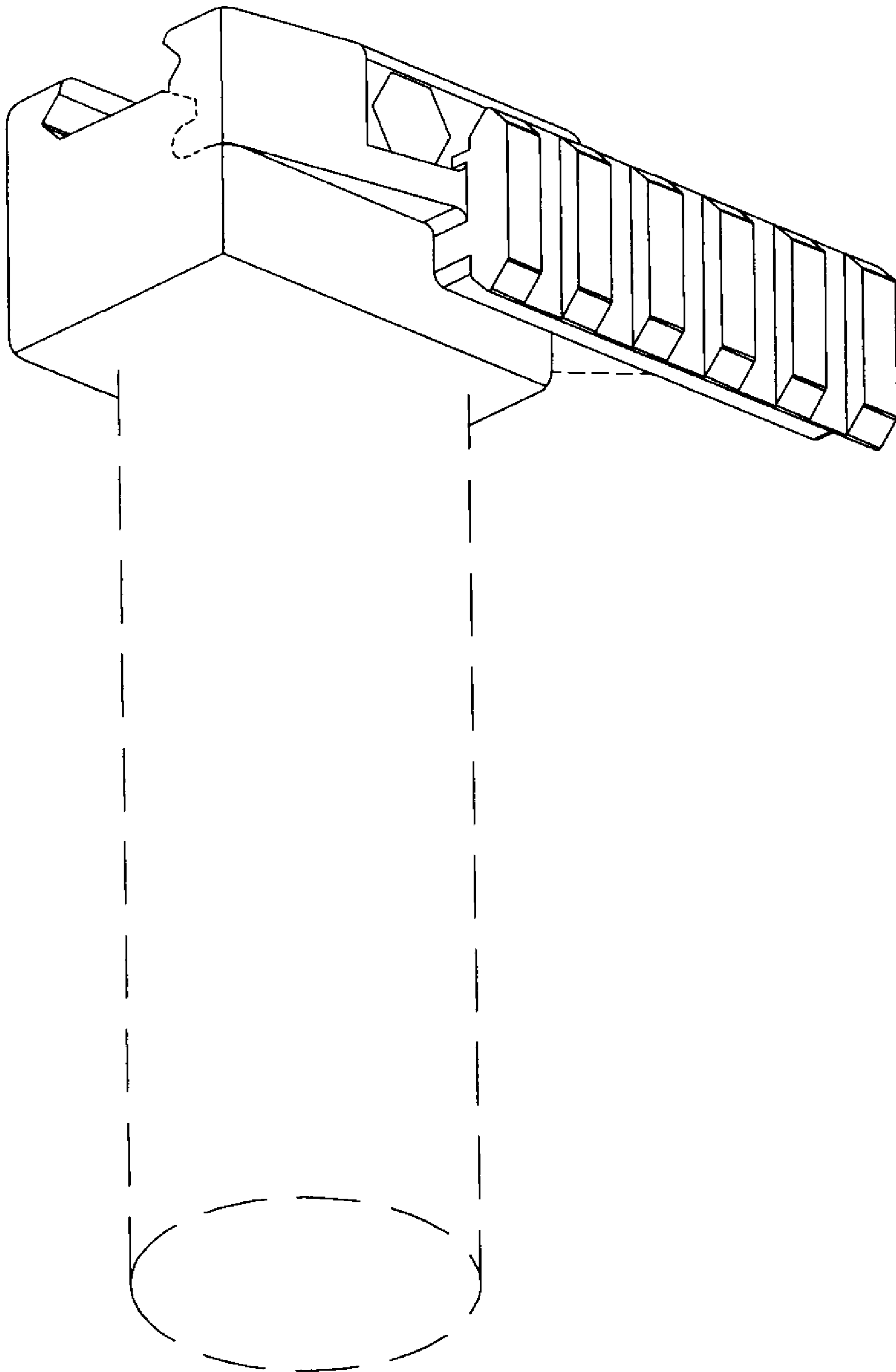


FIG. 6

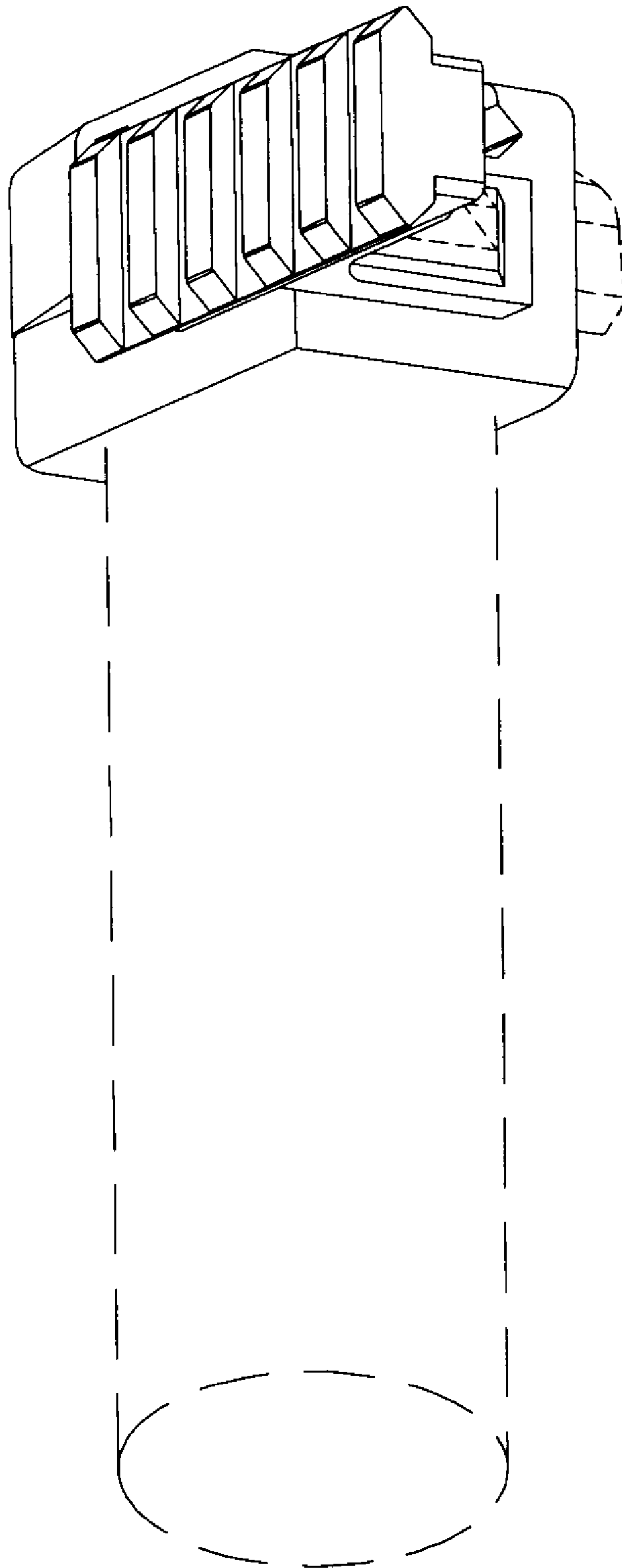


FIG. 7

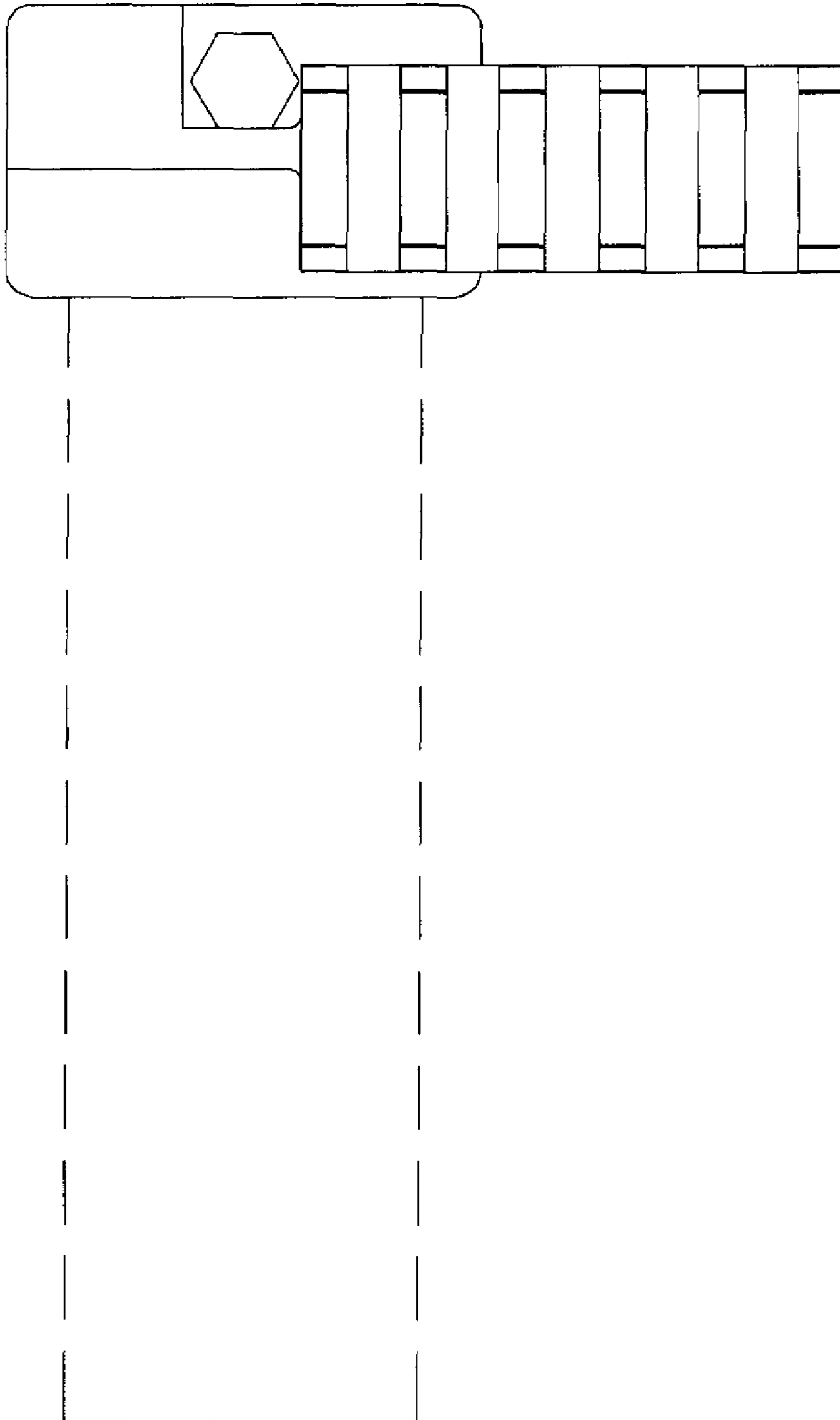
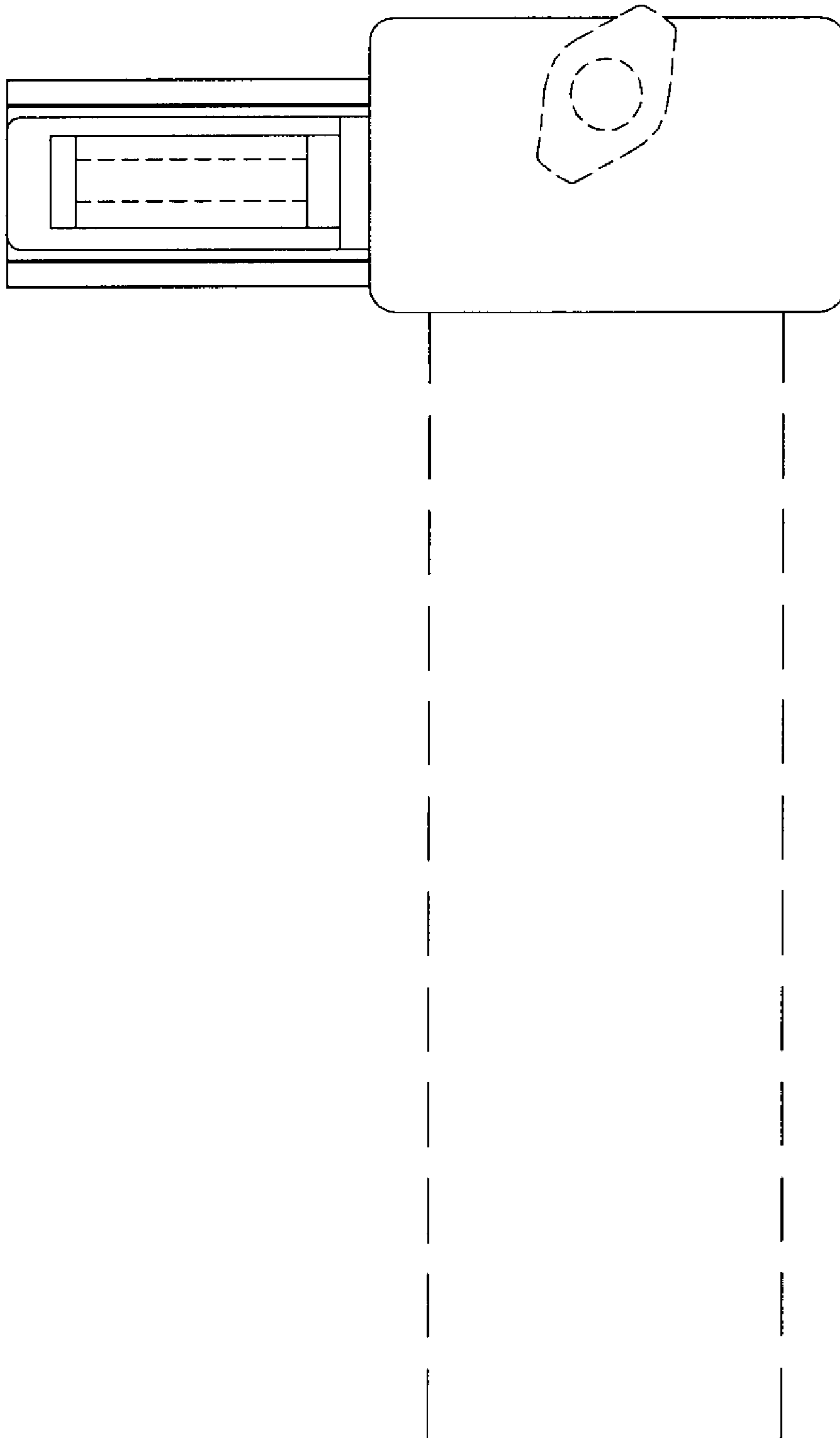


FIG. 8



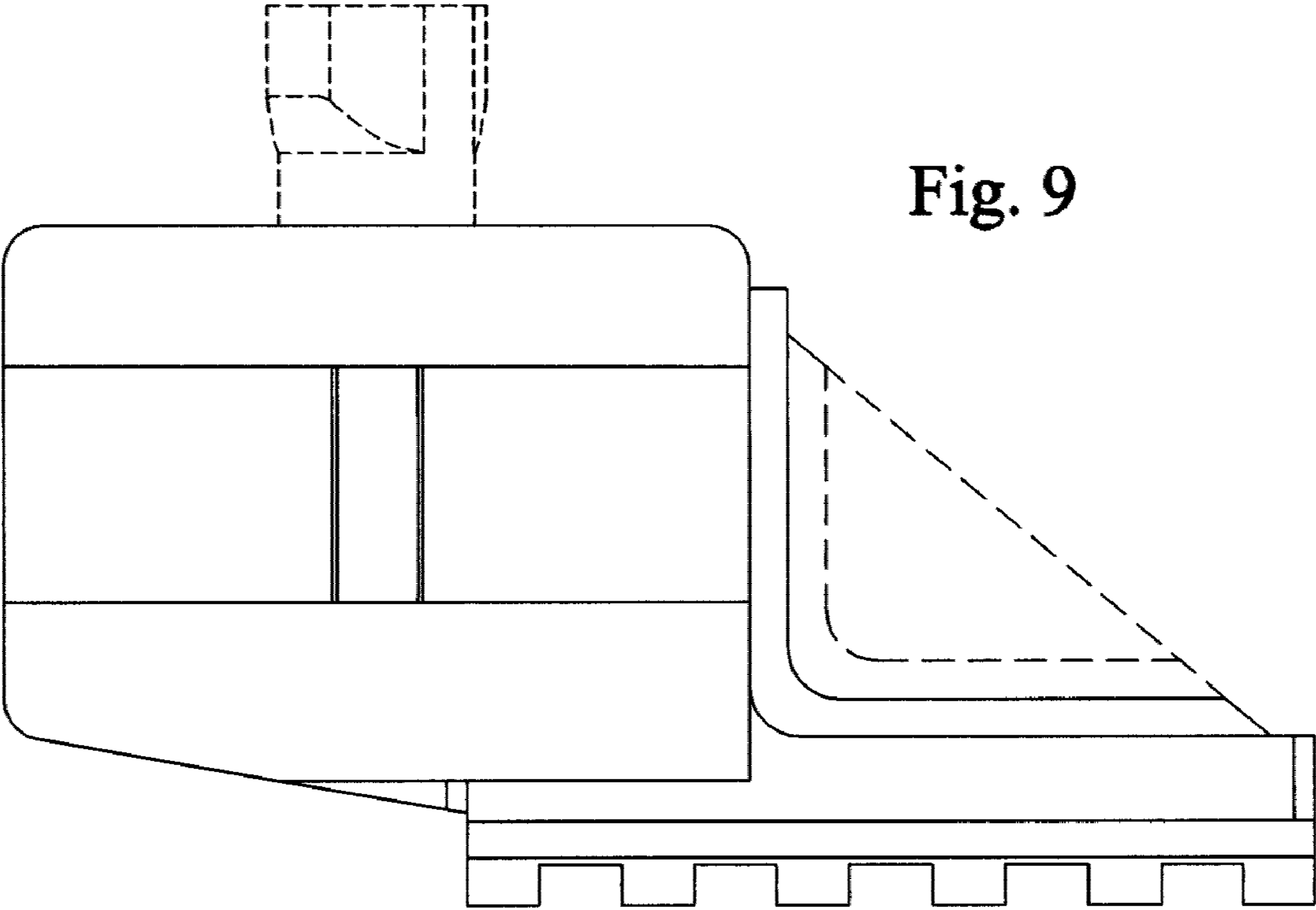


Fig. 9

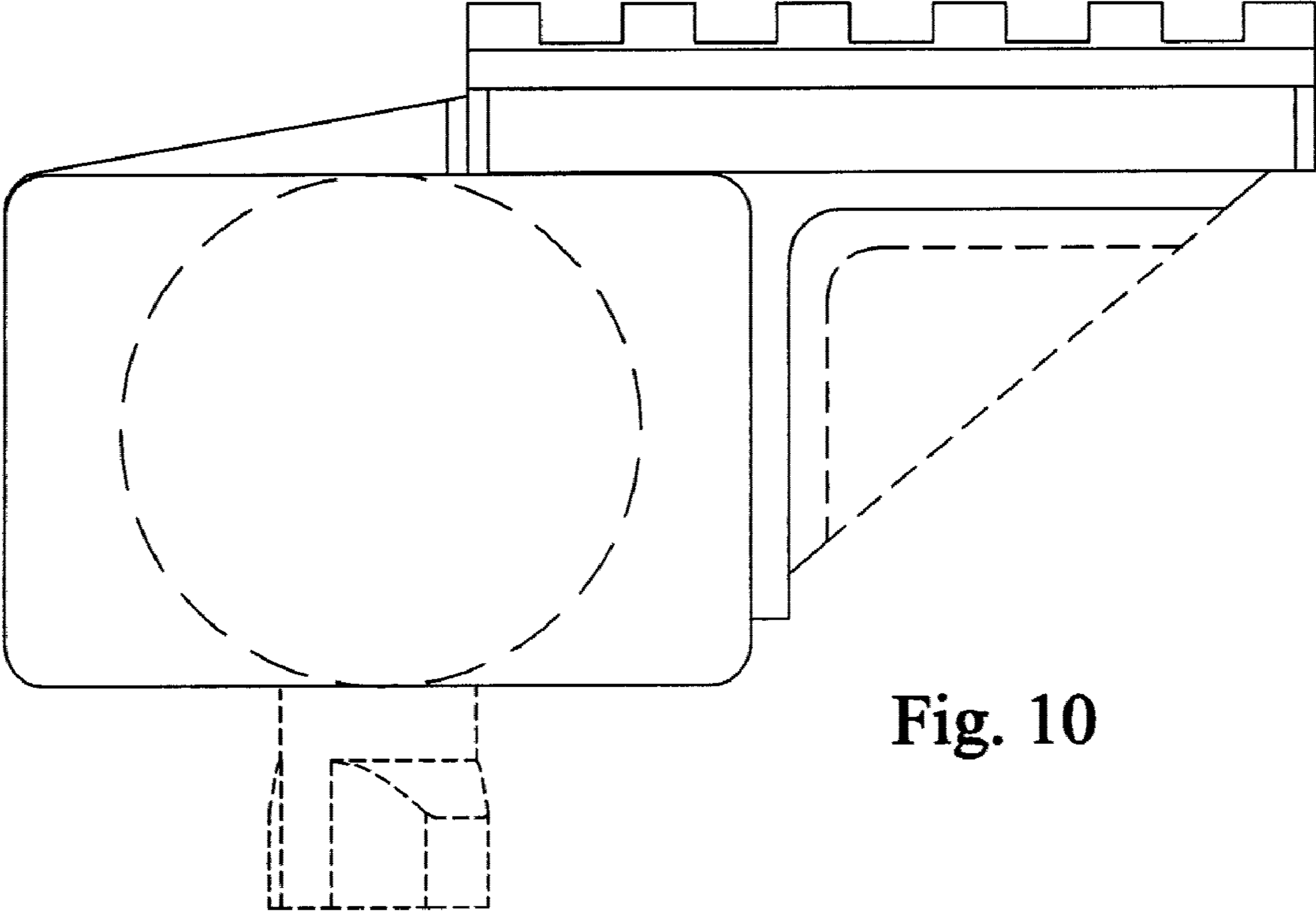


Fig. 10

FIG. 11

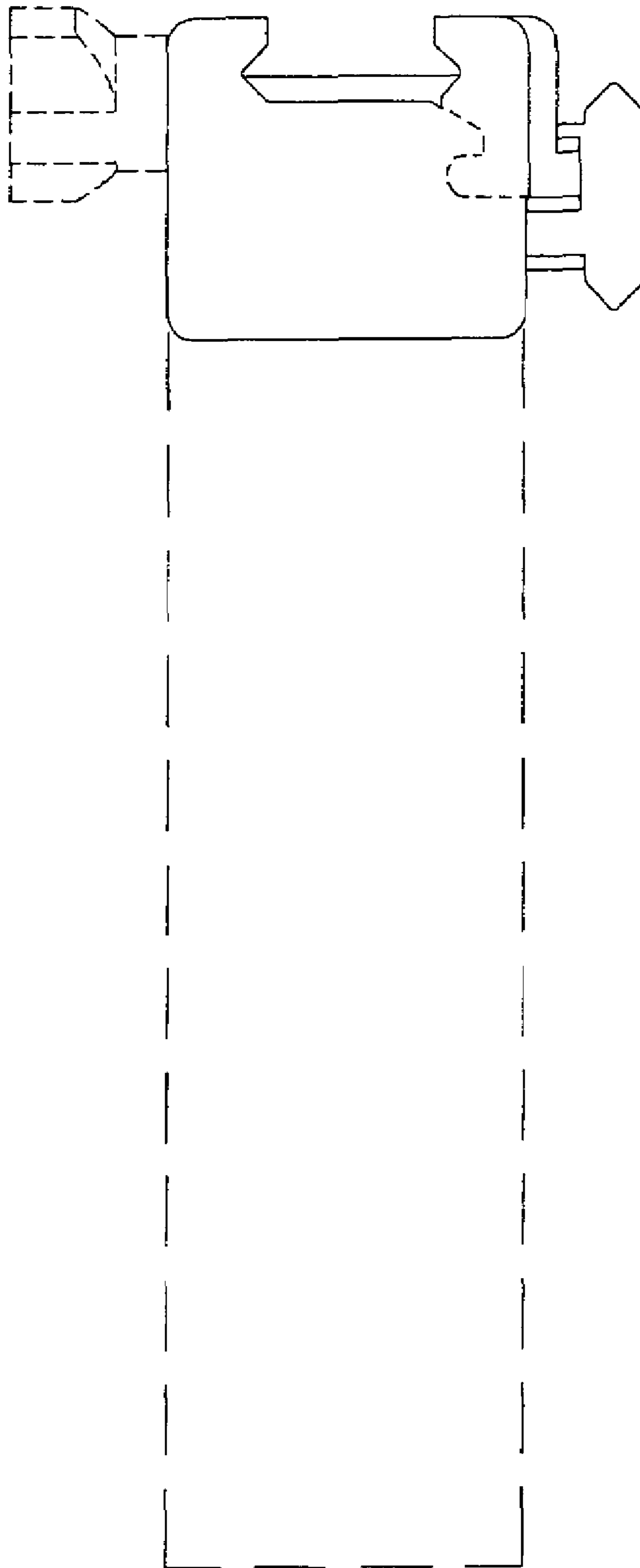


Fig. 12

