



US00D607078S

(12) **United States Design Patent**
Chu

(10) **Patent No.:** **US D607,078 S**

(45) **Date of Patent:** **** Dec. 29, 2009**

(54) **BUTTSTOCK ASSEMBLY**

(76) Inventor: **Chen-Tang Chu**, No.6, Lane 205,
Dongzhou Rd., Shengang Shiang,
Taichung County (TW)

(**) Term: **14 Years**

(21) Appl. No.: **29/297,347**

(22) Filed: **Nov. 8, 2007**

(51) **LOC (9) Cl.** **22-01**

(52) **U.S. Cl.** **D22/109**

(58) **Field of Classification Search** D22/100,
D22/108, 109, 110, 199; 42/11, 72, 75.02,
42/71.01, 85, 90, 106, 114, 113, 116, 119,
42/124, 125, 127, 145, 128; 248/201, 205.1
See application file for complete search history.

(56) **References Cited**

U.S. PATENT DOCUMENTS

6,598,330	B2 *	7/2003	Garrett et al.	42/85
6,637,141	B1 *	10/2003	Weatherby et al.	42/75.03
D517,637	S *	3/2006	Murello et al.	D22/103
7,162,823	B2 *	1/2007	Schoppman et al.	42/75.01
2008/0028662	A1 *	2/2008	Abraham et al.	42/73
2008/0168695	A1 *	7/2008	Nakayama	42/75.02
2008/0236016	A1 *	10/2008	Fitzpatrick et al.	42/71.01

2008/0236017 A1* 10/2008 Fitzpatrick et al. 42/73

* cited by examiner

Primary Examiner—T. Chase Nelson

Assistant Examiner—Michael A Pratt

(74) *Attorney, Agent, or Firm*—Apex Juris, pllc; Tracy M Heims

(57) **CLAIM**

The ornamental design for “buttstock assembly,” as shown and described.

DESCRIPTION

FIG. 1 is a perspective view of “buttstock assembly” showing my new design thereof;

FIG. 2 is a front side elevational view thereof;

FIG. 3 is a rear plan view thereof;

FIG. 4 is a left side elevational view thereof;

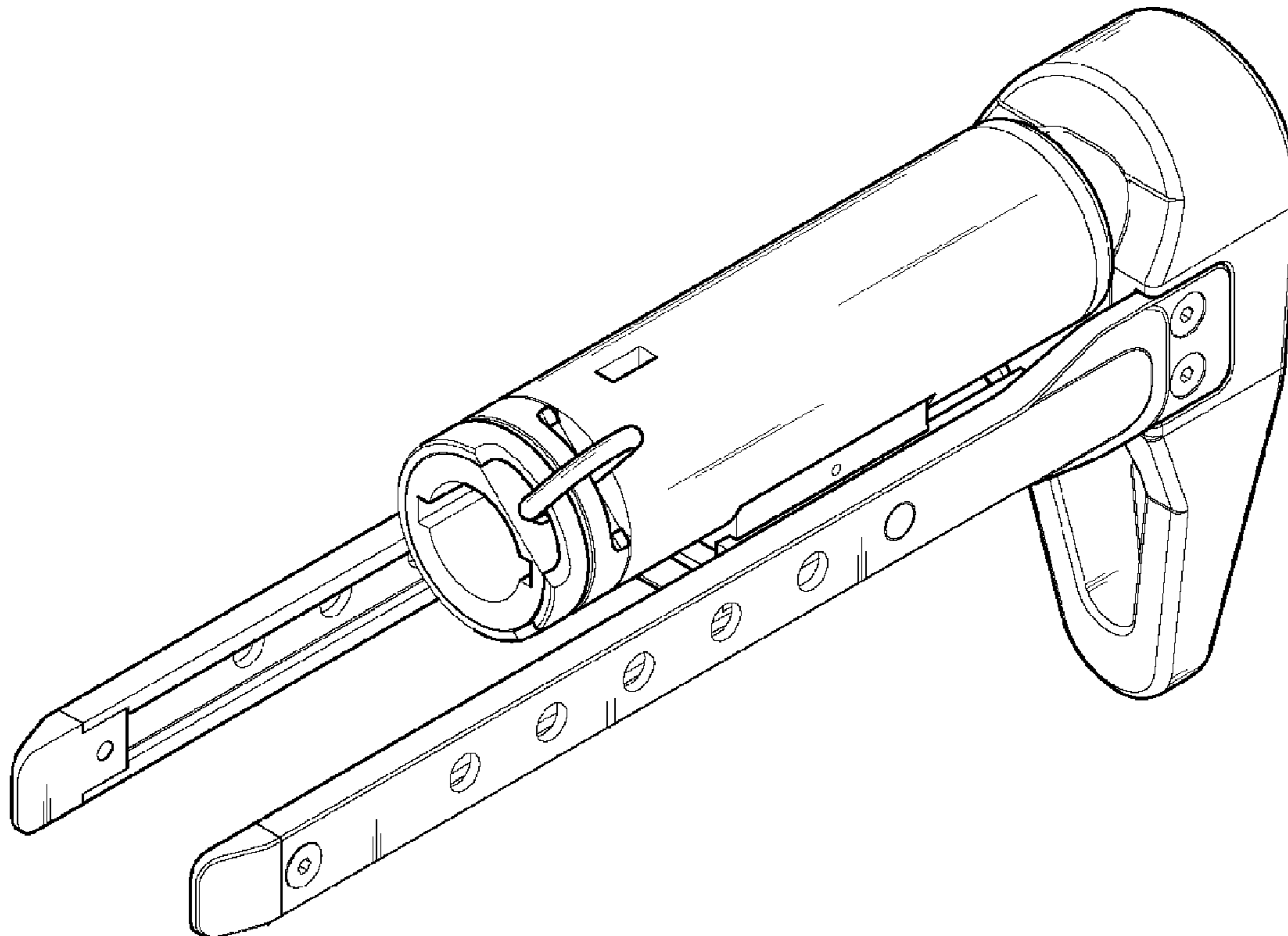
FIG. 5 is a right plan view thereof;

FIG. 6 is a top side elevational view thereof; and,

FIG. 7 is a bottom side elevational view thereof.

The broken line showing of portions of the butt stock assembly in the figures is included for the purpose of illustrating environment and forms no part of the claimed design.

1 Claim, 6 Drawing Sheets



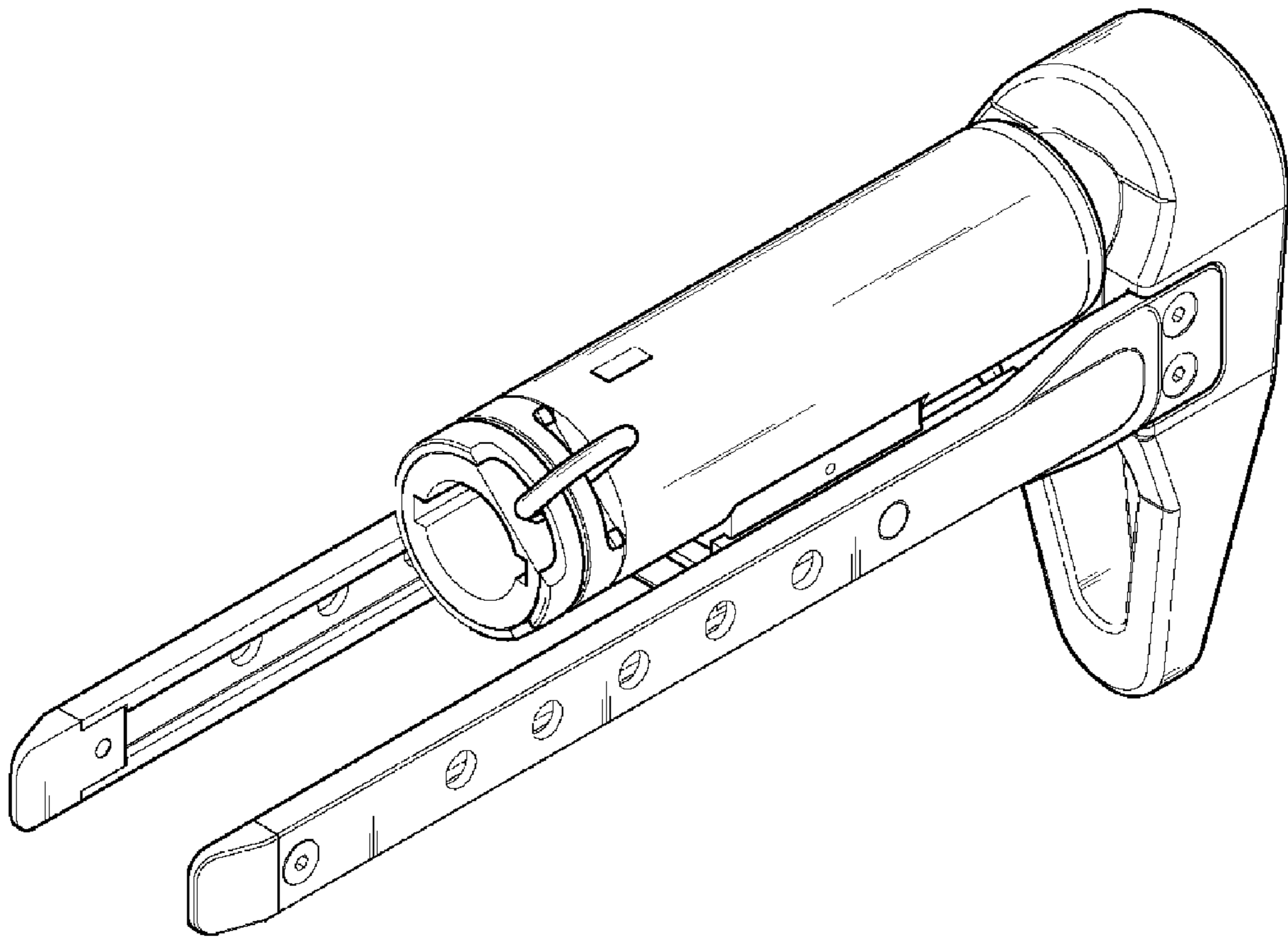


Fig . 1

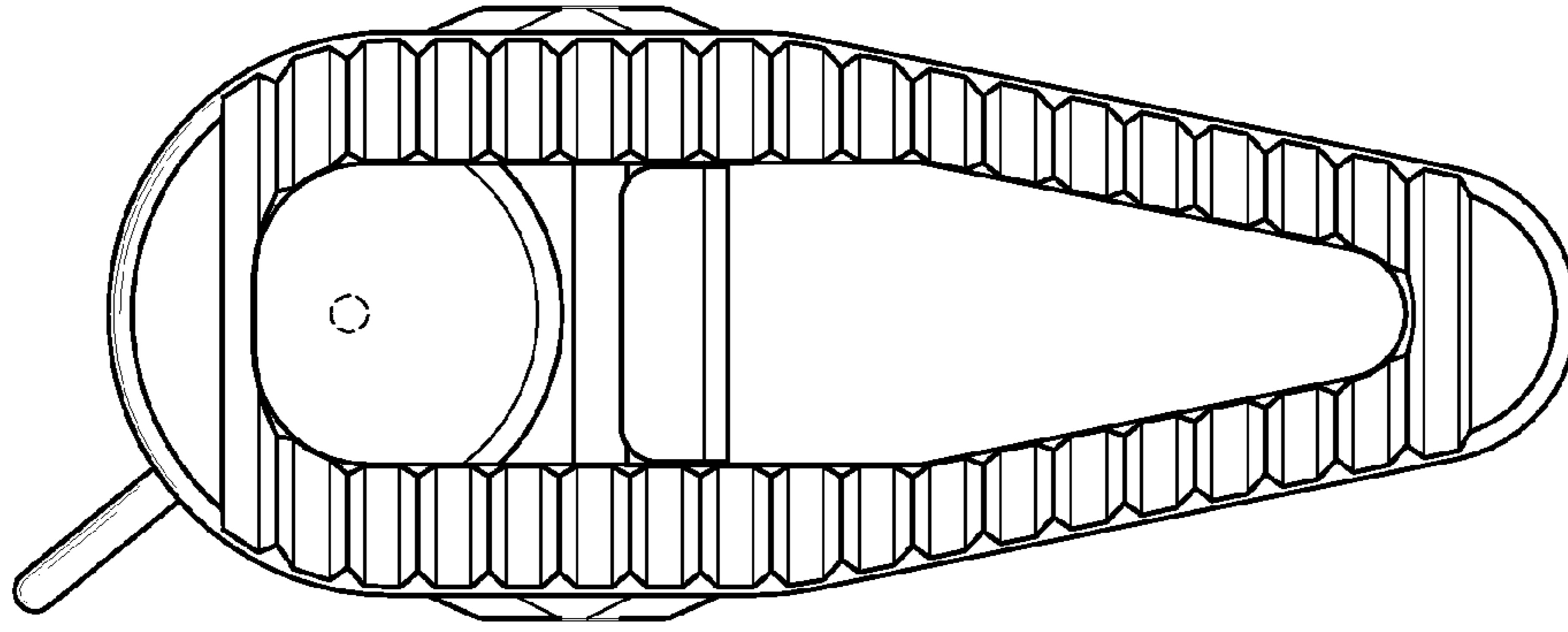


Fig. 3

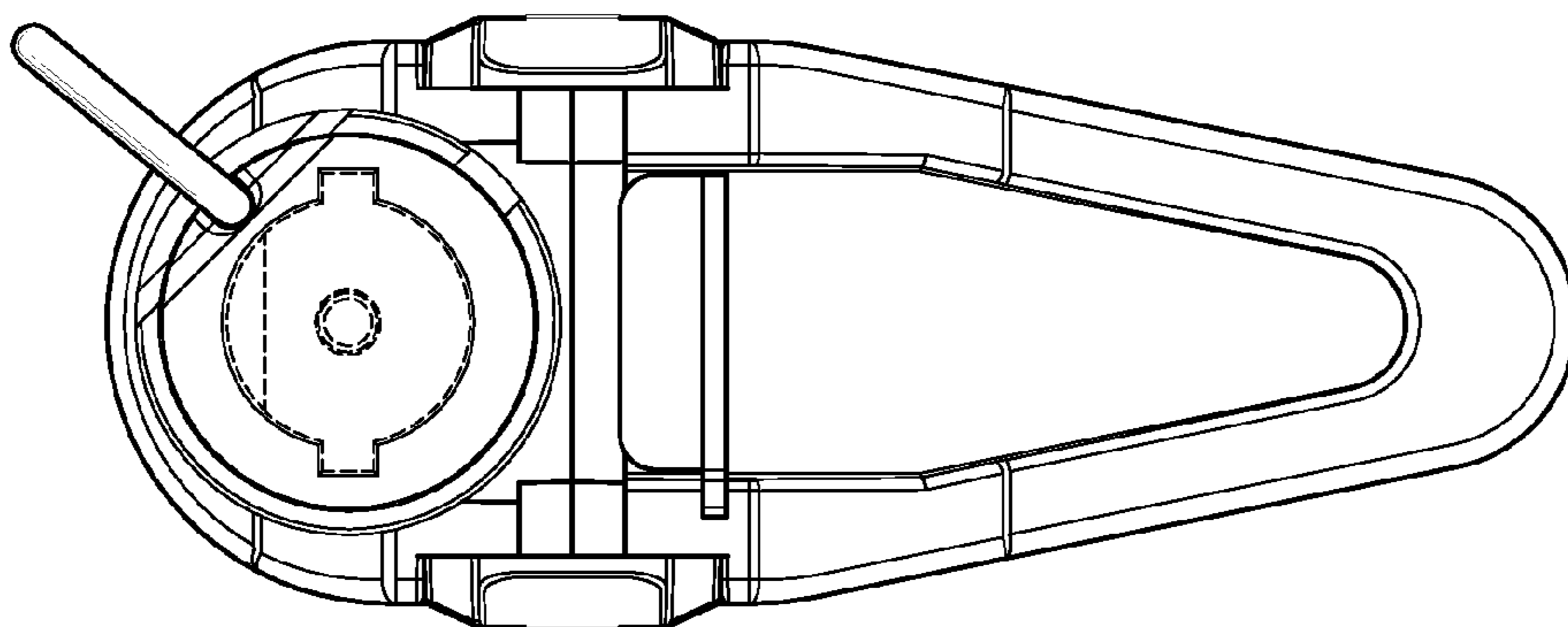


Fig. 2

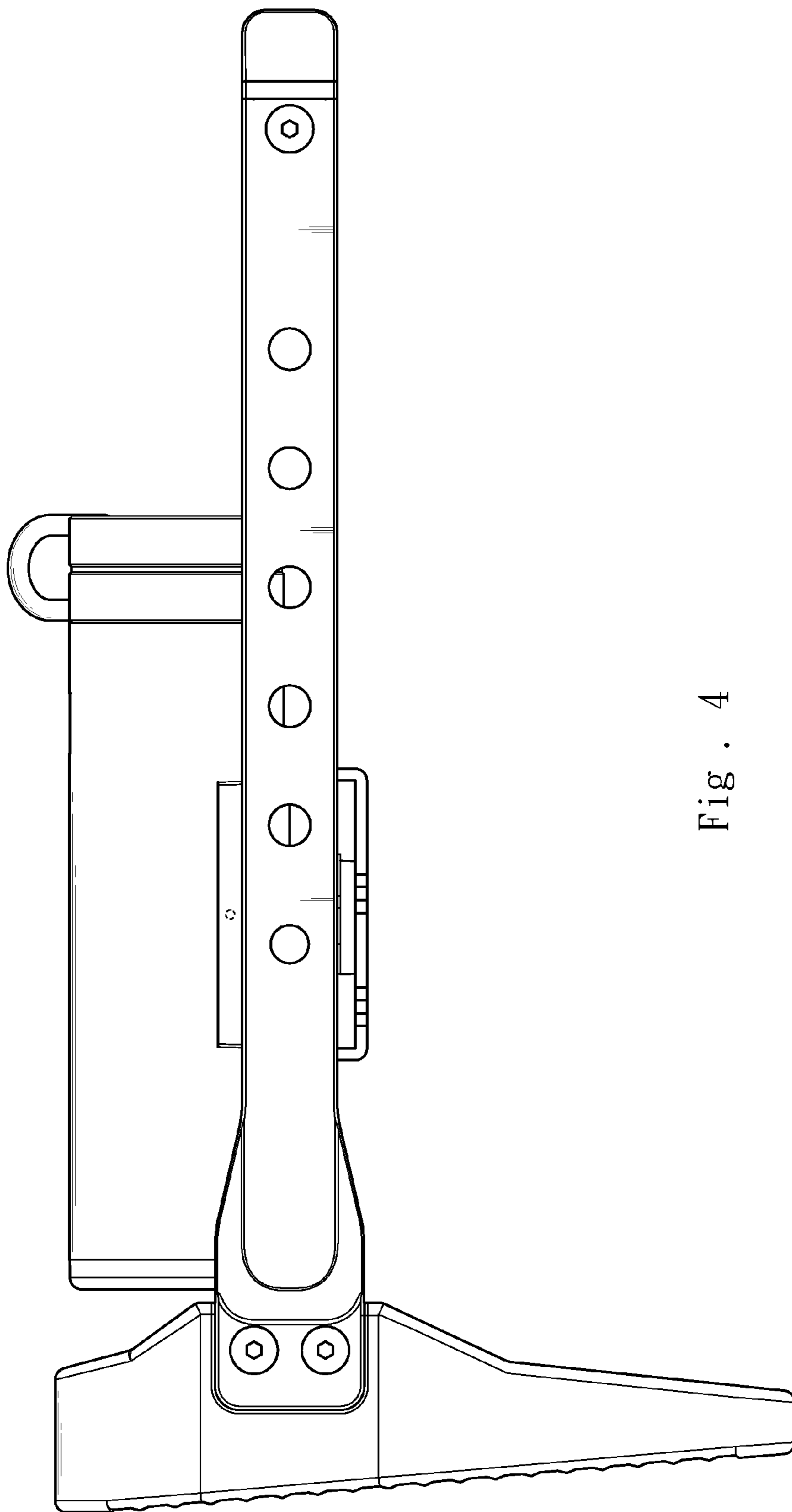


Fig . 4

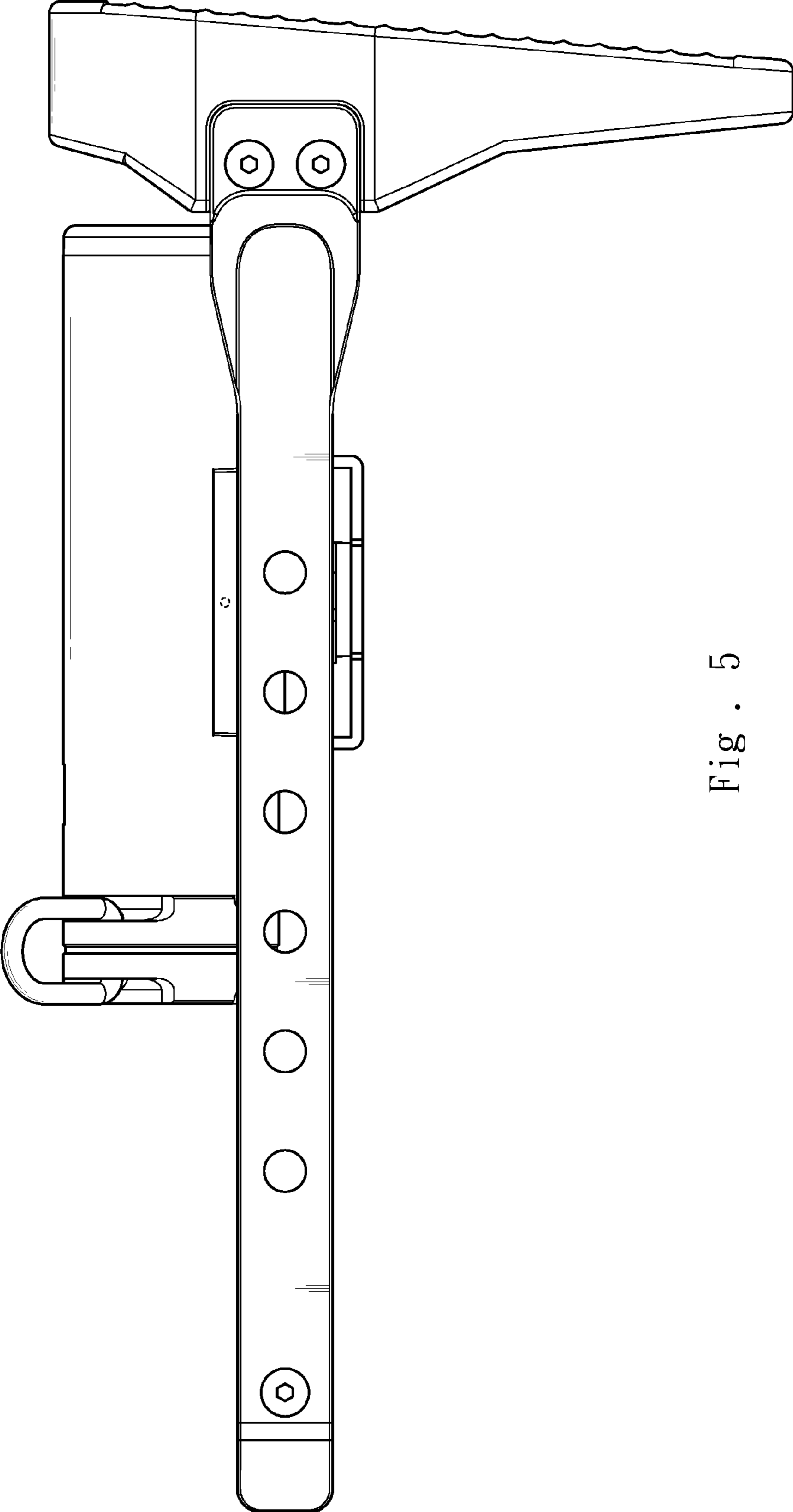


Fig . 5

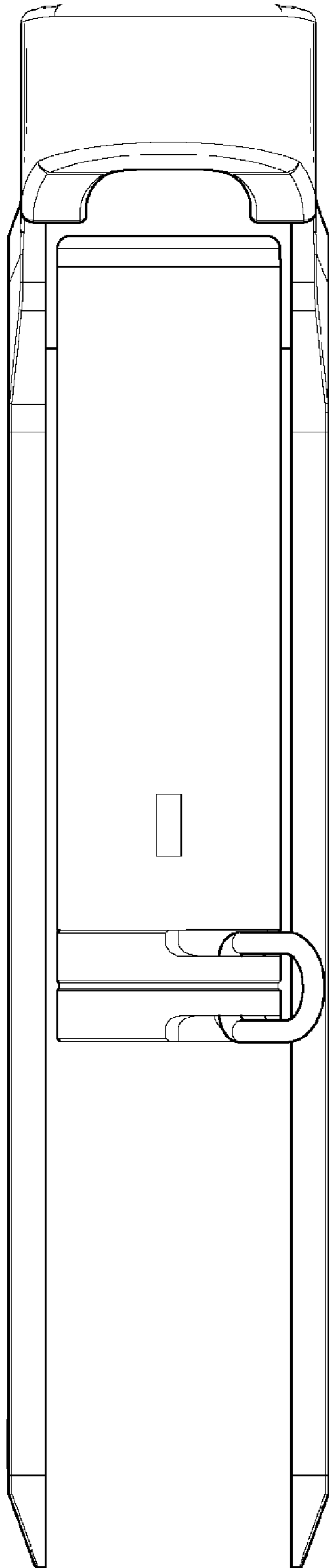


Fig . 6

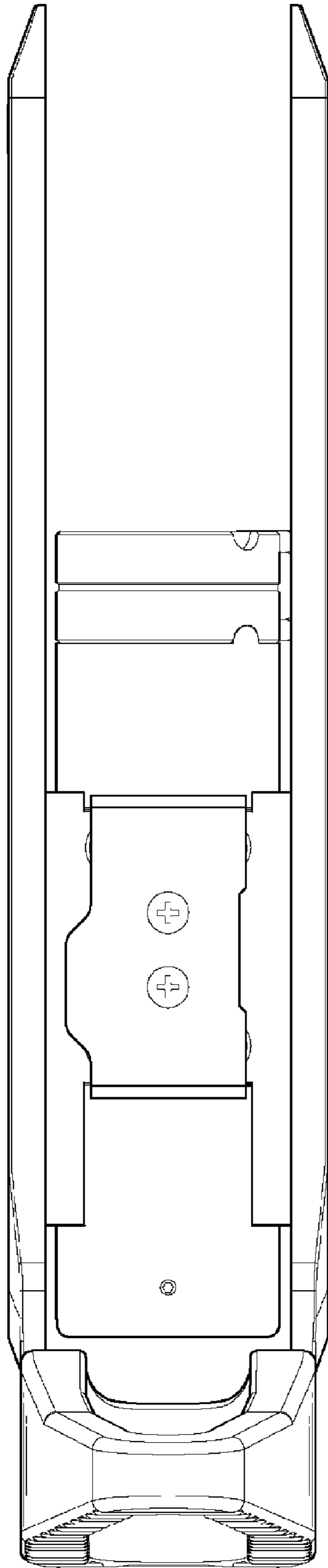


Fig . 7