



US00D607075S

(12) **United States Design Patent**
McDonald

(10) **Patent No.:** **US D607,075 S**

(45) **Date of Patent:** **** Dec. 29, 2009**

(54) **PITCHING PRACTICE MANNEQUIN**

(76) **Inventor:** **Dar'Rell McDonald**, 1555 Avenue S -
Suite 104, Grand Prairie, TX (US) 75050

(**) **Term:** **14 Years**

(21) **Appl. No.:** **29/308,764**

(22) **Filed:** **Jul. 7, 2008**

(51) **LOC (9) Cl.** **21-02**

(52) **U.S. Cl.** **D21/780; D20/31**

(58) **Field of Classification Search** D21/621,
D21/635, 698, 699, 706, 780; D20/19, 31;
473/415-504; 273/317.6-317.9, 348, 406,
273/407, 409, 410; 40/411, 418-420, 421,
40/538, 539, 606.01, 606.15, 606.18

See application file for complete search history.

(56) **References Cited**

U.S. PATENT DOCUMENTS

1,685,428	A *	9/1928	Lowry	273/317.7
3,552,749	A *	1/1971	Piggotte	473/448
3,658,329	A *	4/1972	Ciccarello	473/454
4,262,905	A *	4/1981	Lyons	273/317.9
D322,288	S *	12/1991	Coleman	D21/780

D376,396	S *	12/1996	Nelson	D21/780
D414,815	S *	10/1999	McDonald	D20/31
6,322,461	B1 *	11/2001	Walsh	473/422
6,350,211	B1 *	2/2002	Kolmar	473/454
7,380,360	B2 *	6/2008	Evans et al.	40/538

* cited by examiner

Primary Examiner—Catherine Tuttle

(74) *Attorney, Agent, or Firm*—Jack A. Kanz

(57) **CLAIM**

The ornamental design for a pitching practice mannequin, as shown.

DESCRIPTION

FIG. 1 is a front perspective view showing my new design for a pitching practice mannequin;

FIG. 2 is a rear elevational view thereof;

FIG. 3 is a front elevational view thereof;

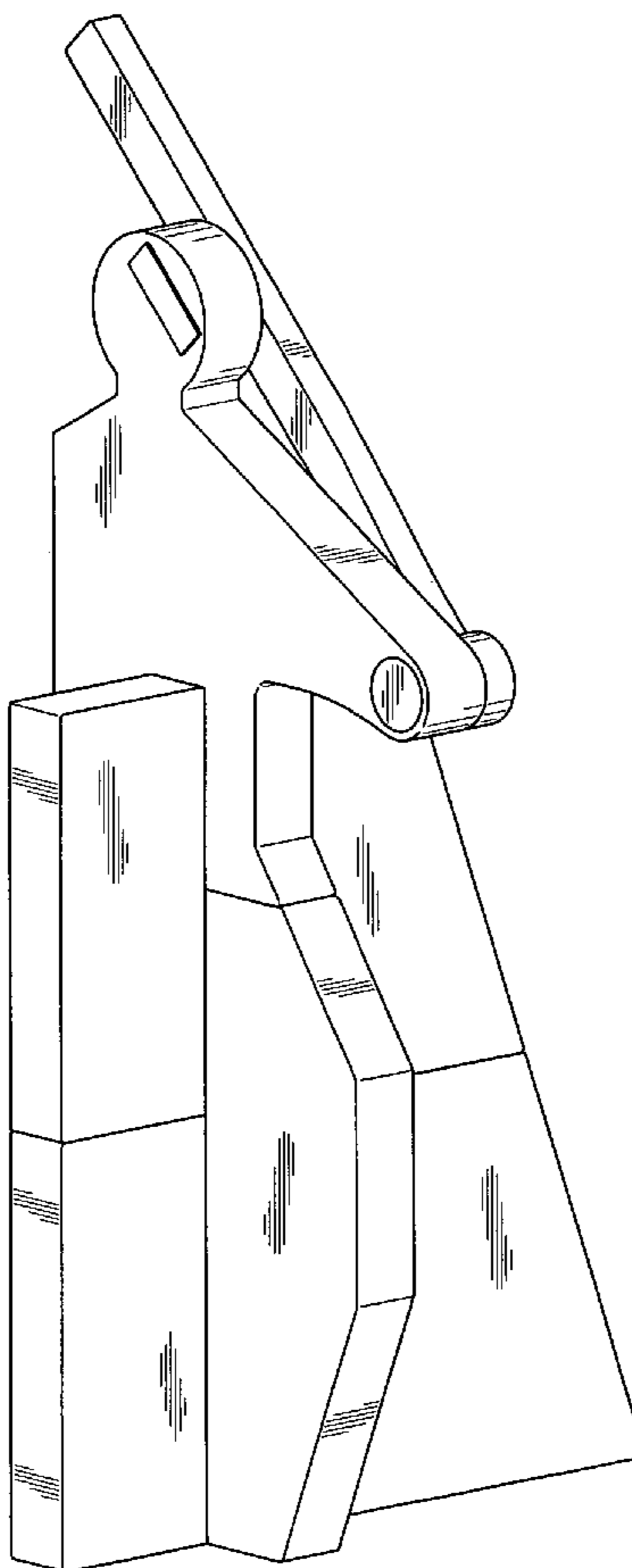
FIG. 4 is a side elevational view of the left-hand side thereof;

FIG. 5 is a side elevational view of the right-hand side thereof;

FIG. 6 is a top plan view thereof; and,

FIG. 7 is a bottom plan view thereof.

1 Claim, 6 Drawing Sheets



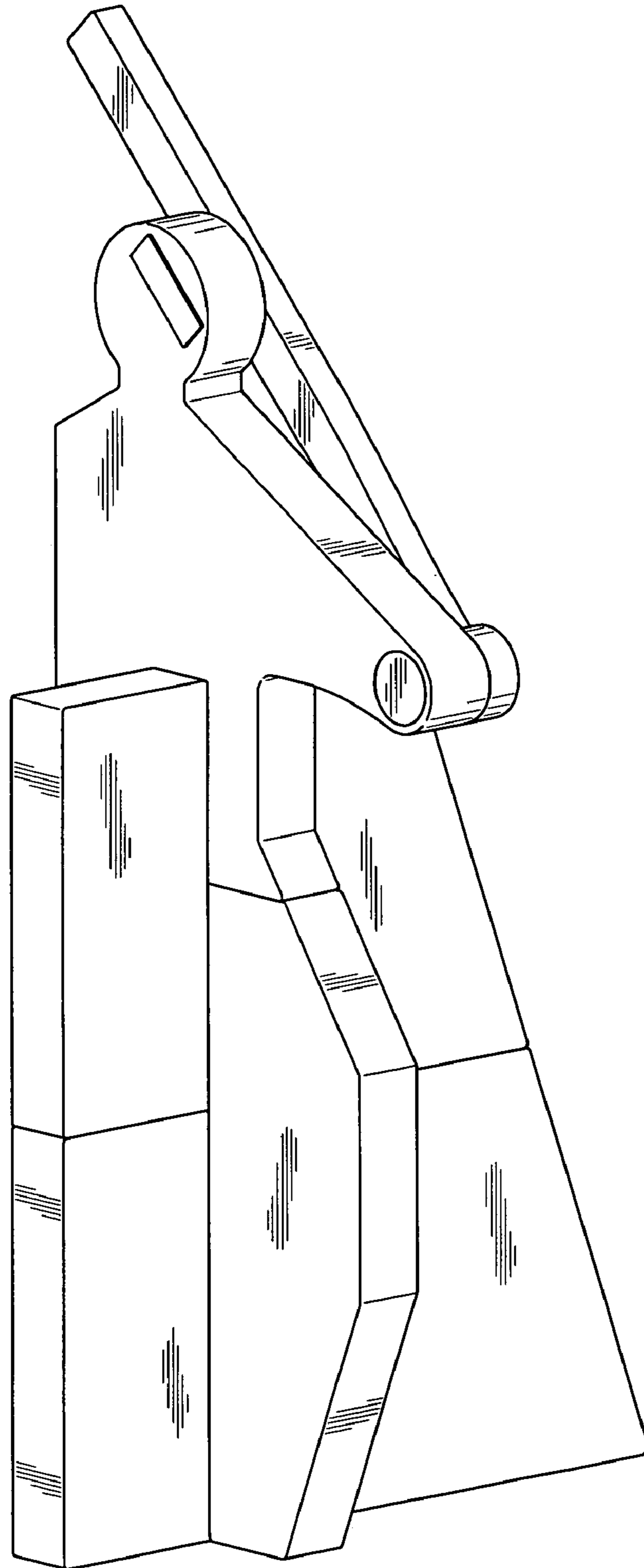


FIG. 1

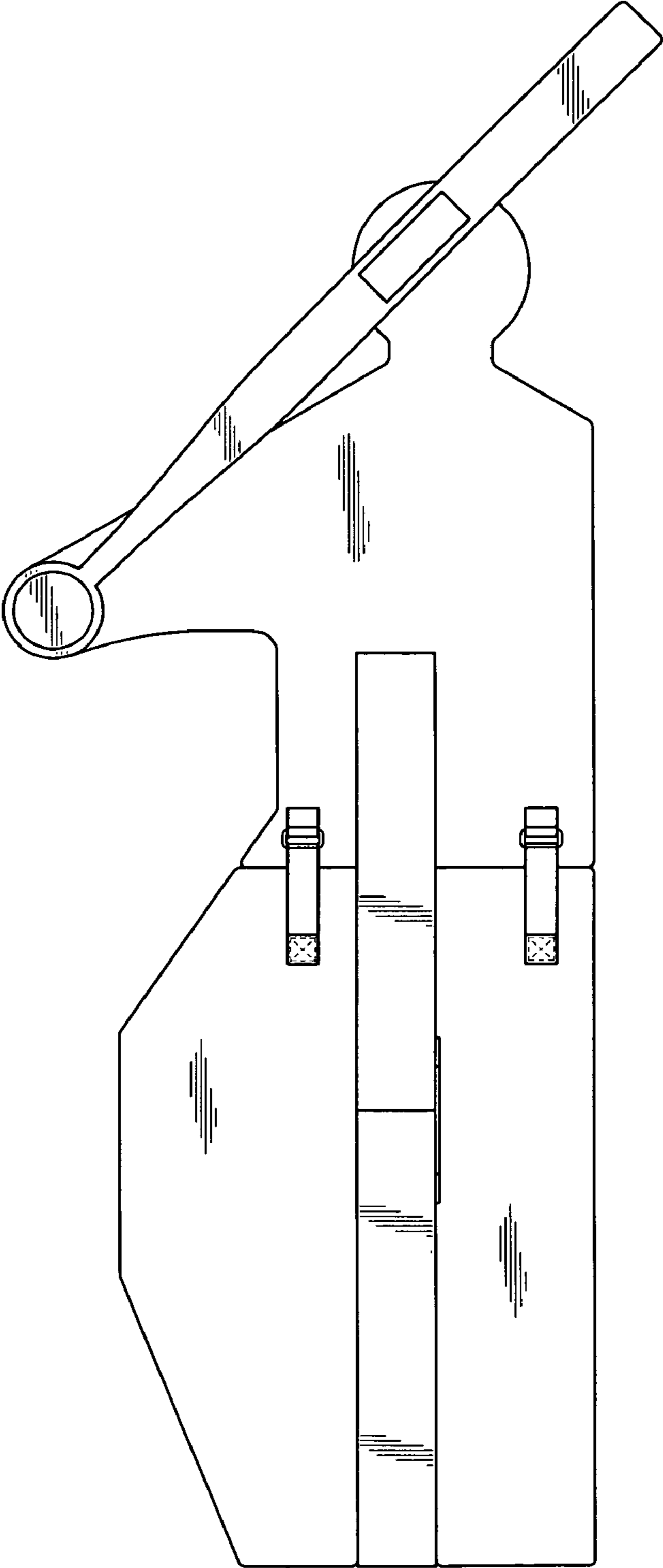


FIG. 2

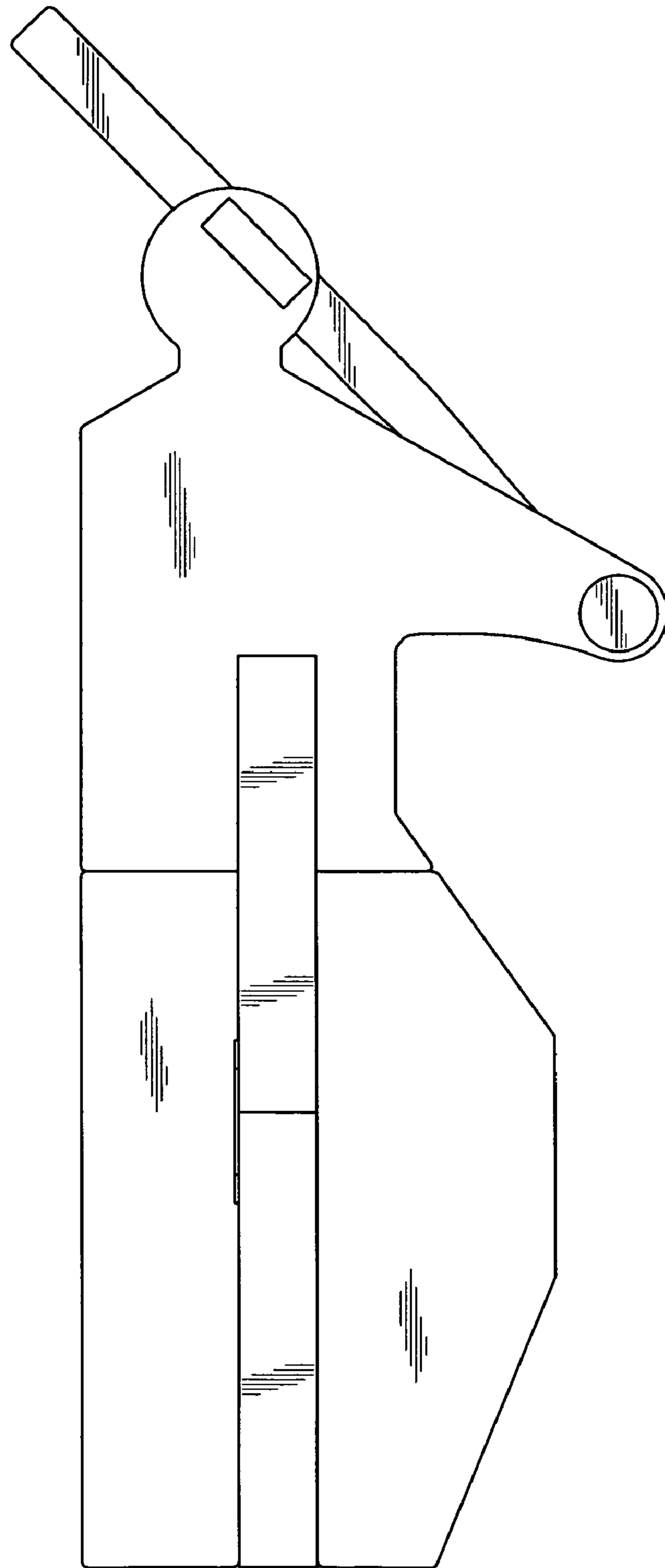


FIG. 3

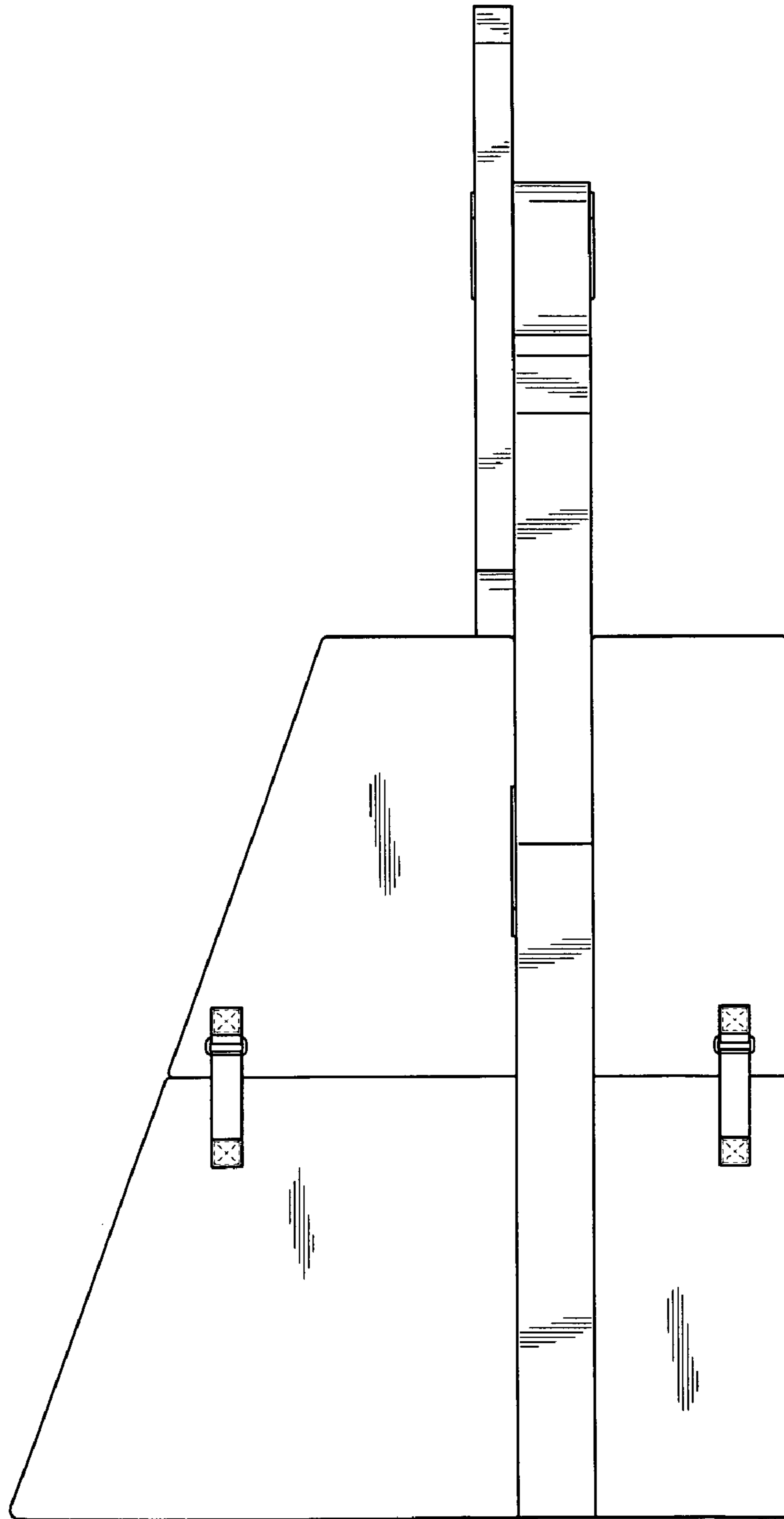


FIG. 4

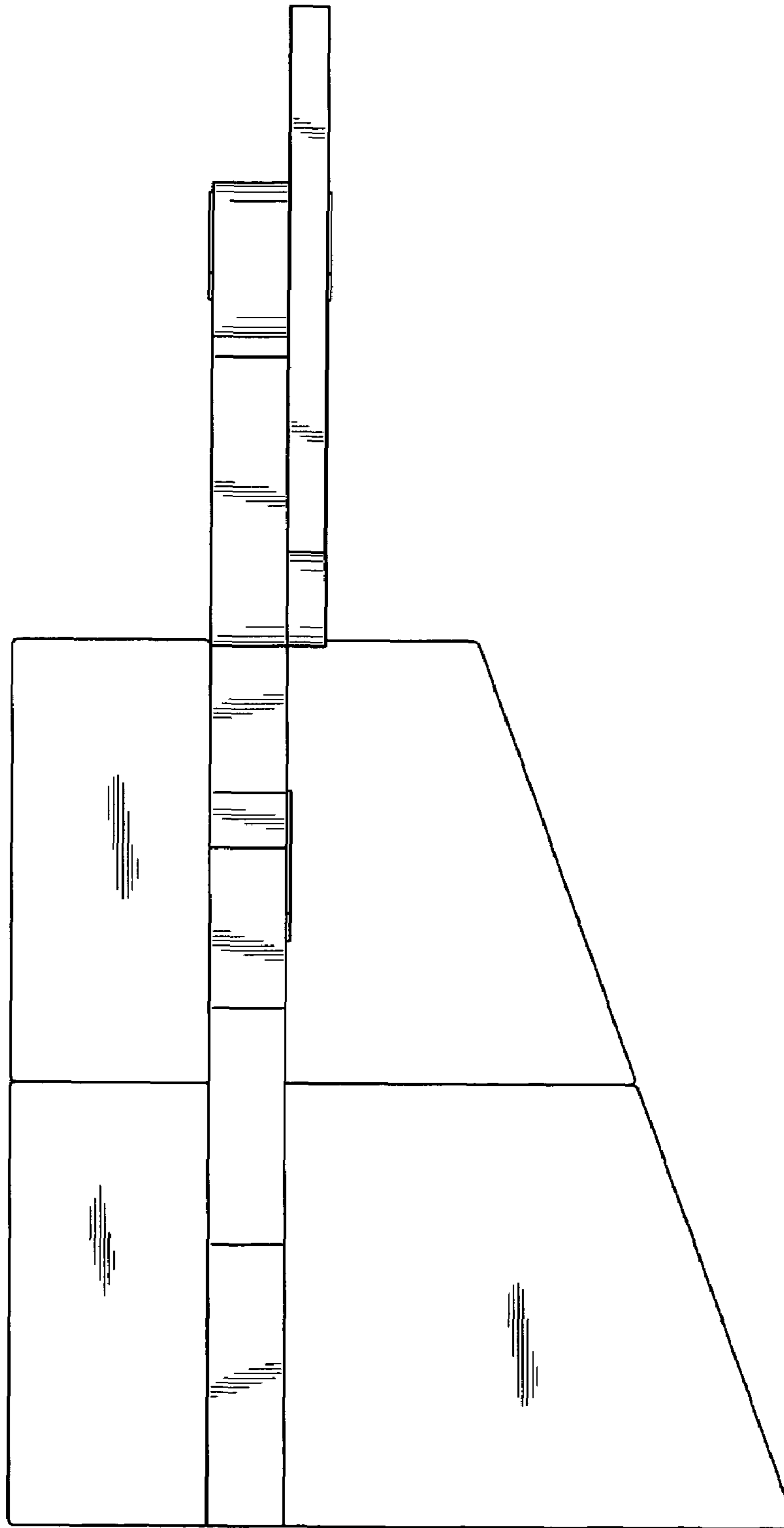


FIG. 5

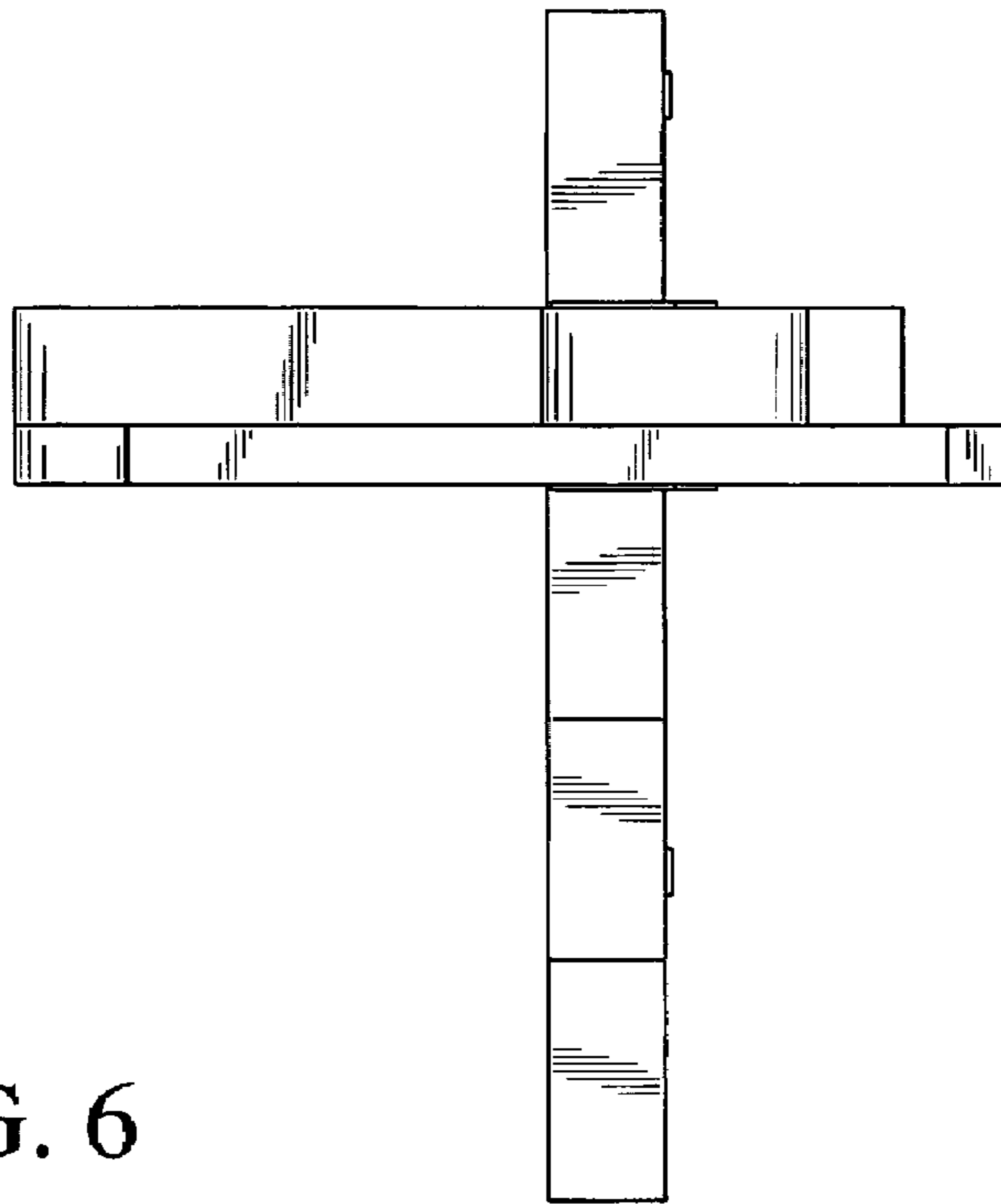


FIG. 6

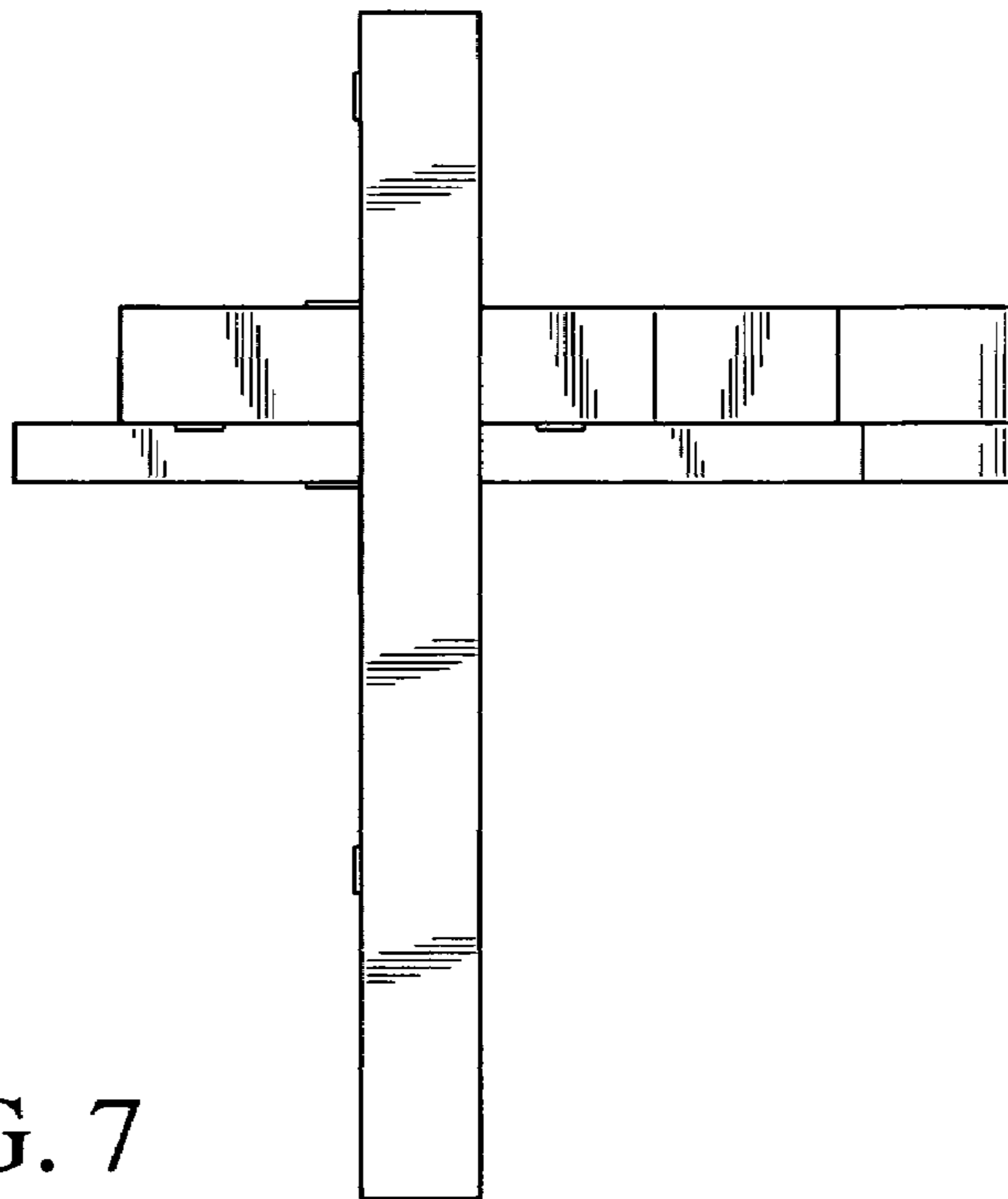


FIG. 7