

US00D607073S

(12) **United States Design Patent**  
**Jertson et al.**

(10) **Patent No.:** **US D607,073 S**  
(45) **Date of Patent:** **\*\* Dec. 29, 2009**

(54) **GOLF CLUB HEAD**  
(75) Inventors: **Marty R. Jertson**, Cave Creek, AZ  
(US); **Xiaojian Chen**, Phoenix, AZ (US)  
(73) Assignee: **Karsten Manufacturing Corporation**,  
Phoenix, AZ (US)  
(\*\*) Term: **14 Years**  
(21) Appl. No.: **29/342,029**  
(22) Filed: **Aug. 17, 2009**  
(51) **LOC (9) Cl.** ..... **21-02**  
(52) **U.S. Cl.** ..... **D21/759**  
(58) **Field of Classification Search** ..... D21/747-751;  
473/324-331, 350

D388,486 S 12/1997 Mahaffey  
D392,356 S 3/1998 Burrows  
D398,687 S 9/1998 Miyajima et al.  
D400,943 S \* 11/1998 Ezaki ..... D21/747  
D411,272 S 6/1999 Burrows  
5,921,869 A 7/1999 Blough et al.  
D422,043 S 3/2000 Kubica et al.  
D428,635 S 7/2000 Nagai et al.  
D429,298 S 8/2000 Butler  
D429,299 S 8/2000 Kubica et al.  
D437,902 S 2/2001 Persinger  
D437,906 S 2/2001 Gilbert  
D442,659 S 5/2001 Kubica et al.  
D443,008 S 5/2001 Kubica et al.  
D444,195 S 6/2001 Wahl et al.  
D458,328 S 6/2002 Solheim et al.  
D465,253 S 11/2002 Best  
D473,605 S 4/2003 Petersen et al.

See application file for complete search history.

(Continued)

*Primary Examiner*—Mitchell I Siegel

(56) **References Cited**  
U.S. PATENT DOCUMENTS

D55,278 S 5/1920 Kraeuter  
D234,608 S 3/1975 Raymont  
D240,841 S 8/1976 Solheim  
D256,264 S 8/1980 Solheim  
4,355,808 A 10/1982 Jernigan et al.  
D276,644 S 12/1984 Solheim  
5,014,993 A 5/1991 Antonious  
D318,512 S 7/1991 Piotrowski  
5,048,834 A 9/1991 Gorman  
D330,577 S 10/1992 Solheim  
D332,812 S 1/1993 Solheim  
D344,778 S 3/1994 Solheim  
D357,293 S 4/1995 Solheim  
D357,294 S 4/1995 Solheim  
D362,481 S \* 9/1995 Takahashi et al. .... D21/749  
D368,127 S 3/1996 Solheim  
D379,393 S 5/1997 Kubica et al.  
D383,819 S 9/1997 Takahashi et al.  
5,665,013 A 9/1997 Kobayashi  
5,676,605 A 10/1997 Kobayashi

(57) **CLAIM**

The ornamental design for a golf club head, as shown and described.

**DESCRIPTION**

FIG. 1 is an elevational view of a first embodiment of the rear of a golf club head;

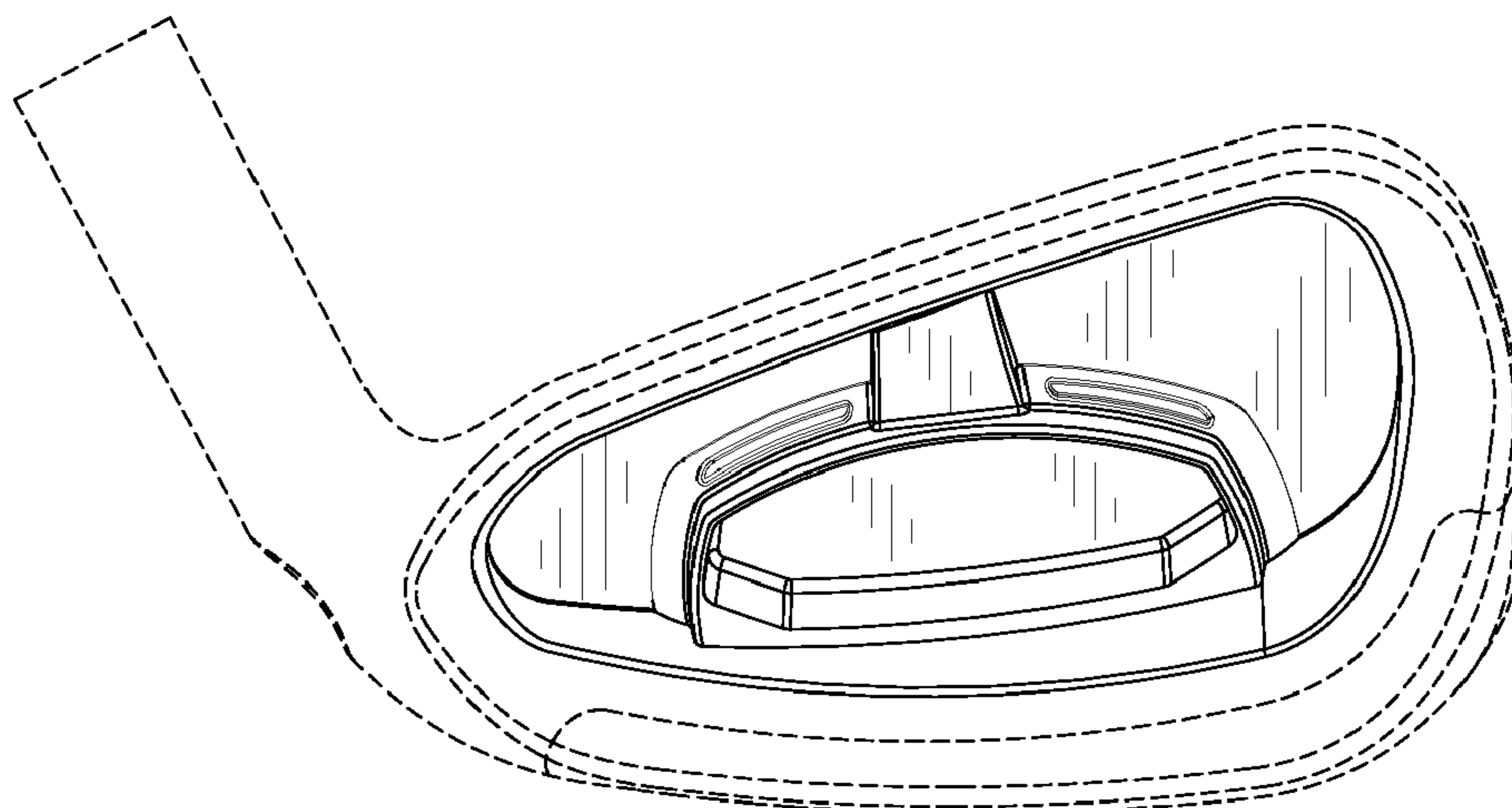
FIG. 2 is an inverted perspective view of the golf club head of FIG. 1;

FIG. 3 is an elevational view of a second embodiment of the rear of a golf club head; and,

FIG. 4 is an inverted perspective view of the golf club head of FIG. 3.

The broken lines shown in one or more of the figures are for illustrative purposes only and form no part of the claimed design.

**1 Claim, 2 Drawing Sheets**



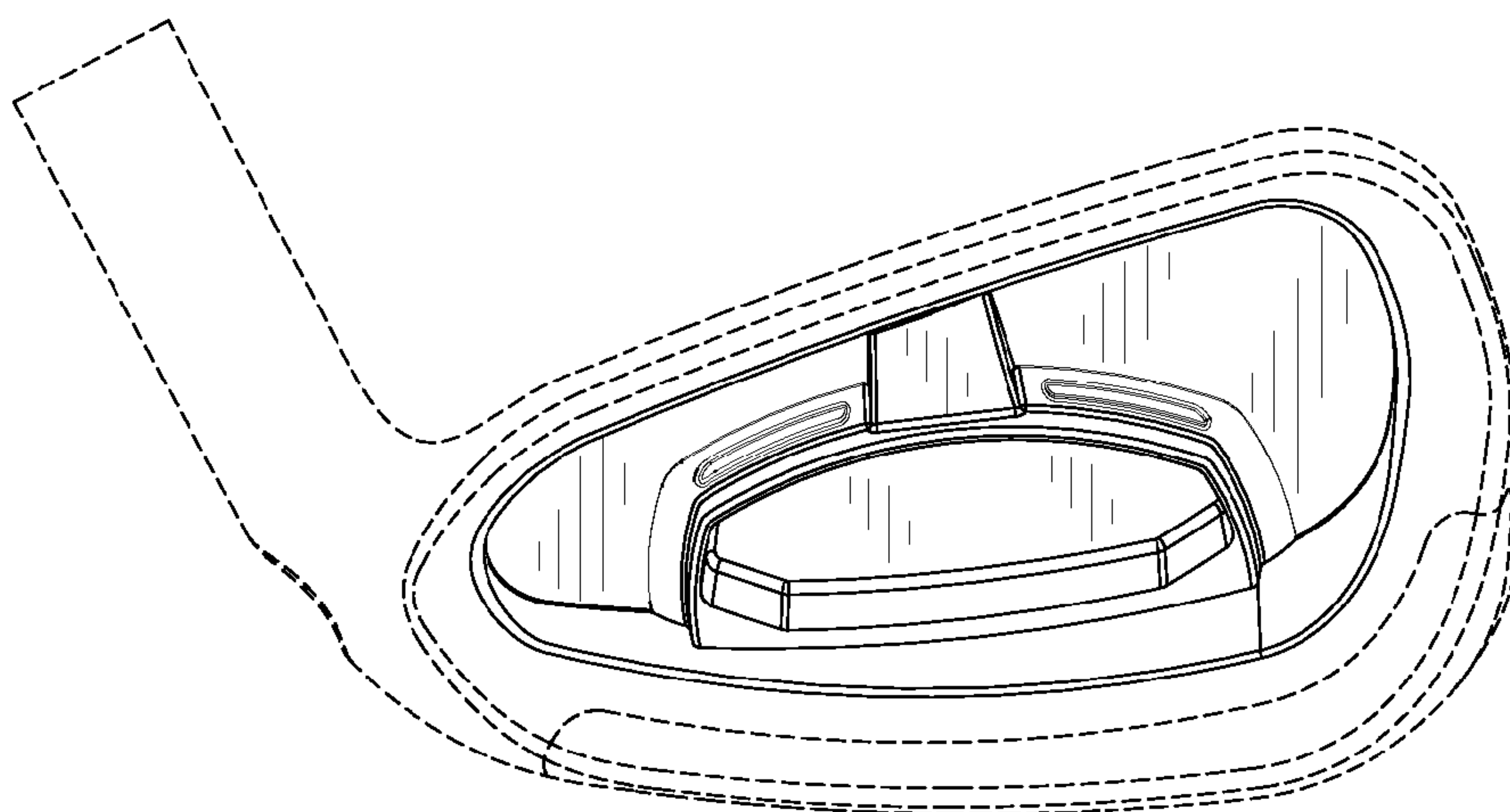
# US D607,073 S

Page 2

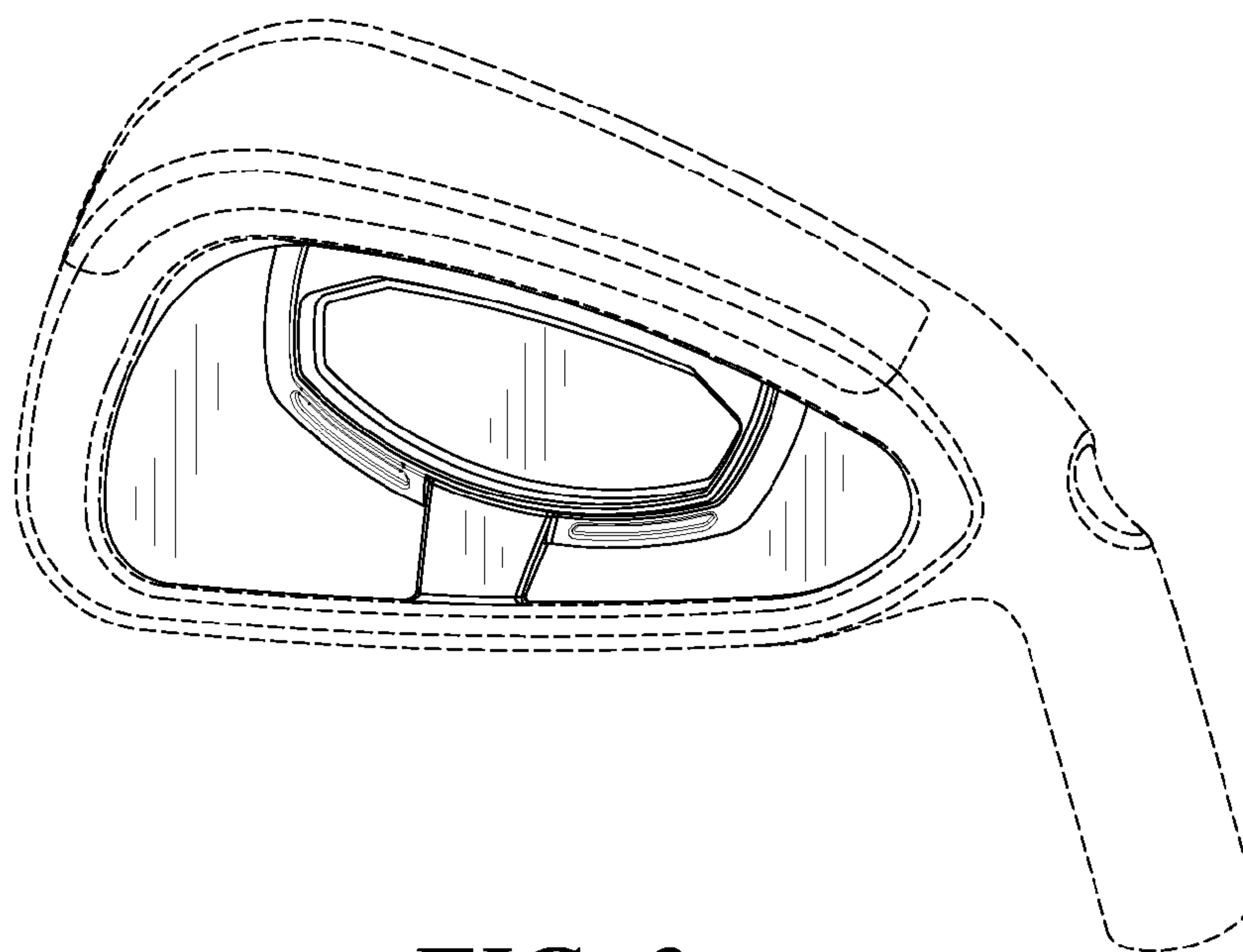
## U.S. PATENT DOCUMENTS

D475,108 S	5/2003	Madore	D539,864 S	4/2007	Nicolette et al.
D492,376 S	6/2004	Nicolette et al.	D540,898 S	4/2007	Solheim et al.
D494,648 S	8/2004	Schweigert et al.	D541,360 S	4/2007	Schweigert et al.
D500,350 S	12/2004	Schweigert et al.	D544,056 S	6/2007	Nicolette et al.
D500,351 S	12/2004	Schweigert et al.	D554,212 S	10/2007	Nunez et al.
D502,237 S	2/2005	Schweigert et al.	D554,218 S	10/2007	Ruggiero et al.
D502,975 S	3/2005	Schweigert et al.	D559,931 S	1/2008	Roach et al.
D503,204 S	3/2005	Nicolette et al.	D561,855 S	2/2008	Schweigert et al.
D504,925 S	5/2005	Schweigert et al.	D562,925 S	2/2008	Schweigert et al.
D505,171 S	5/2005	Schweigert et al.	D570,435 S	6/2008	Sanchez et al.
D507,614 S	7/2005	Schweigert et al.	D570,935 S	6/2008	Nicolette et al.
6,921,344 B2	7/2005	Gilbert et al.	D570,936 S	6/2008	Schweigert et al.
D508,099 S	8/2005	Schweigert et al.	D571,422 S	6/2008	Schweigert et al.
D514,183 S	1/2006	Schweigert et al.	D571,881 S	6/2008	Nicolette et al.
D516,152 S	2/2006	Madore	D572,326 S	7/2008	Schweigert et al.
D517,625 S	3/2006	Sanchez et al.	D572,329 S	7/2008	Nicolette et al.
D518,538 S	4/2006	Ines et al.	D573,219 S	7/2008	Schweigert et al.
D519,179 S	4/2006	Roberts et al.	D577,783 S	9/2008	Schweigert et al.
D523,501 S	6/2006	Nicolette et al.	D578,590 S	10/2008	Schweigert et al.
D530,759 S	10/2006	Nicolette et al.	D581,000 S	11/2008	Nicolette et al.
D530,760 S	10/2006	Schweigert et al.	D596,256 S *	7/2009	Schweigert et al. .... D21/759
7,125,343 B2	10/2006	Imamoto	D596,257 S *	7/2009	Jertson et al. .... D21/759
D532,849 S	11/2006	Nicolette et al.	D596,258 S *	7/2009	Jertson et al. .... D21/759
D534,228 S	12/2006	Nicolette et al.	D597,158 S	7/2009	Schweigert et al.
D534,595 S	1/2007	Hasebe	2003/0119602 A1	6/2003	Kennedy, III et al.
D534,597 S	1/2007	Nicolette et al.	2005/0096156 A1	5/2005	Chen
D536,759 S	2/2007	Schweigert et al.	2006/0258480 A1	11/2006	Hou et al.
D537,494 S	2/2007	Jertson et al.	2007/0117653 A1	5/2007	Yoneyama
D538,366 S	3/2007	Nicolette et al.	2009/0118033 A1	5/2009	Nakamura
D539,862 S	4/2007	Nunez et al.	2009/0149277 A1	6/2009	Deng et al.

\* cited by examiner

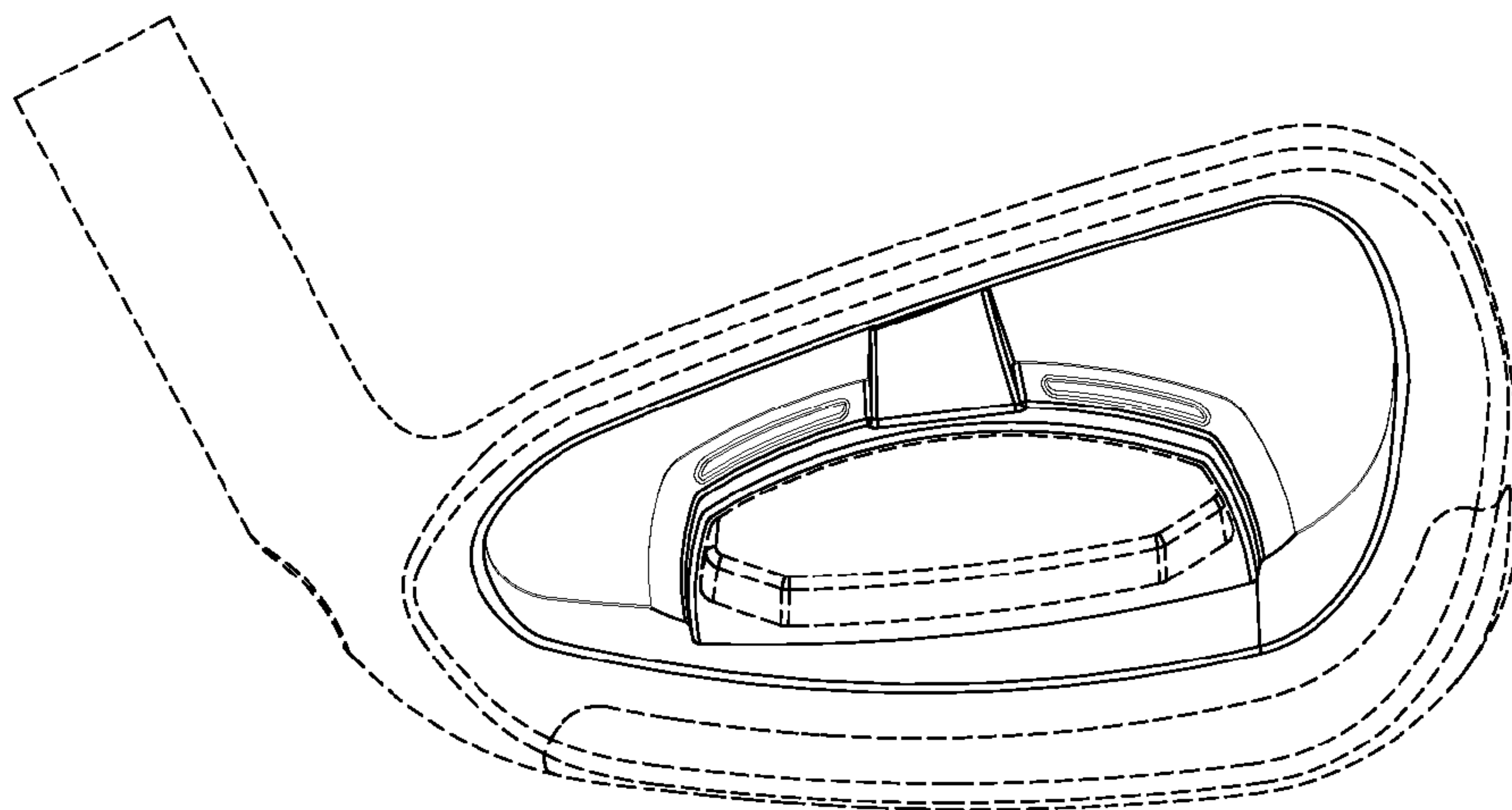


*FIG. 1*

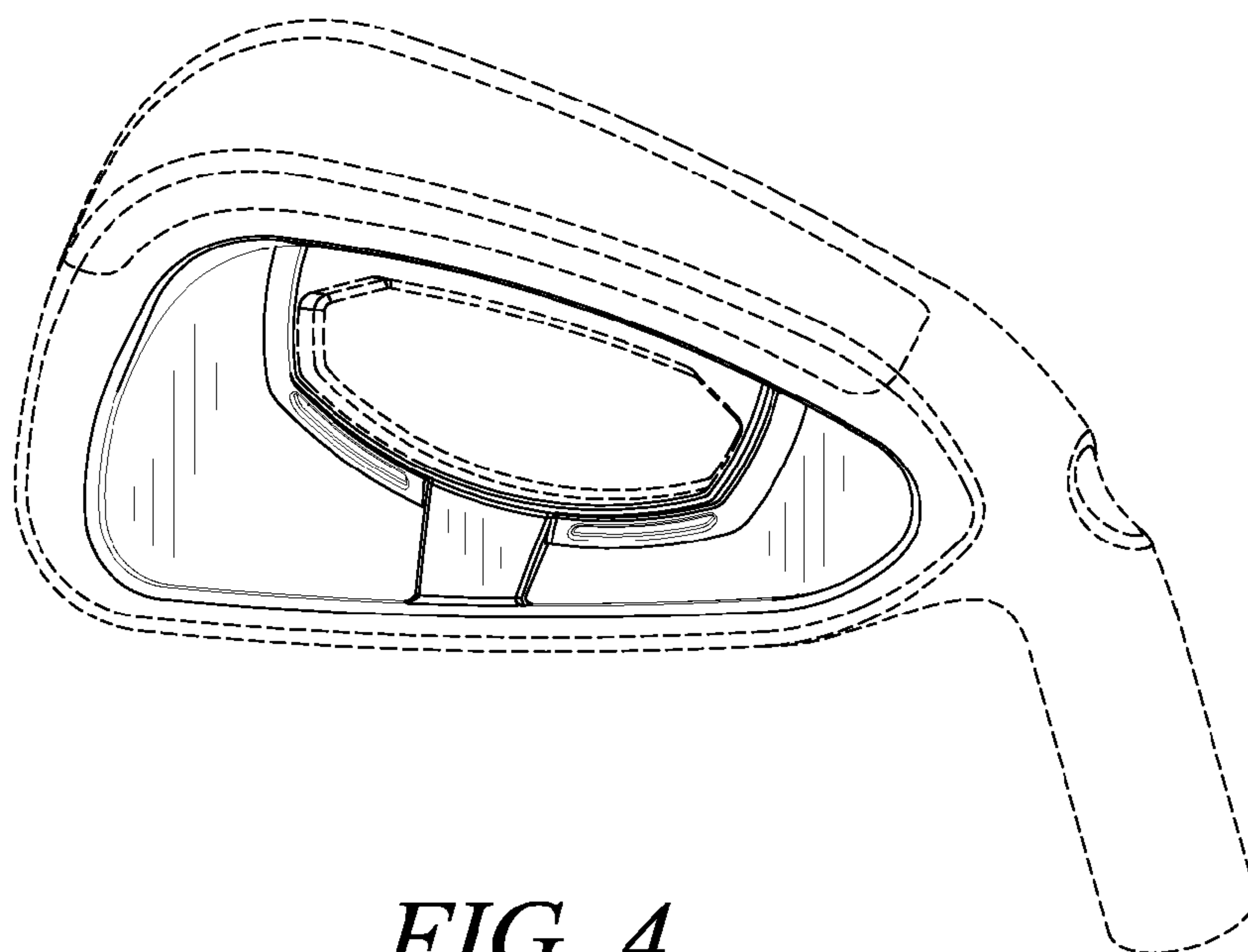


*FIG. 2*





*FIG. 3*



*FIG. 4*