



US00D607069S

(12) **United States Design Patent**
Baxter et al.

(10) **Patent No.:** **US D607,069 S**

(45) **Date of Patent:** **** Dec. 29, 2009**

(54) **LACROSSE STICKS SHAFT HAVING A PLURALITY OF CAVITIES THEREIN**

(75) Inventors: **Stuart Robertson Baxter**, Eden Prairie, MN (US); **Yvonne Margareta Kukora**, Reading, PA (US); **Michael Scott Tabb, Jr.**, Potomac, MD (US); **Robert Andrew Klink**, Collegeville, PA (US); **Whitney Edna Cameron Clark**, Ridgewood, NJ (US); **Gregory Andrew Furst**, Indianapolis, IN (US)

(73) Assignee: **Henson Company, Inc.**, Sinking Spring, PA (US)

(**) Term: **14 Years**

(21) Appl. No.: **29/334,097**

(22) Filed: **Mar. 20, 2009**

(51) **LOC (9) Cl.** **21-02**

(52) **U.S. Cl.** **D21/724**

(58) **Field of Classification Search** D21/724,
D21/759; 473/505–515, 549
See application file for complete search history.

(56) **References Cited**

U.S. PATENT DOCUMENTS

5,749,798	A *	5/1998	Kuebler et al.	473/549
6,752,730	B1 *	6/2004	Brine et al.	473/513
D534,227	S *	12/2006	Lee	D21/724
D538,362	S *	3/2007	Carroll	D21/724
D544,932	S *	6/2007	Scott	D21/724
D558,289	S *	12/2007	Main	D21/757

7,371,196	B2 *	5/2008	Morrow et al.	473/513
D581,474	S *	11/2008	Dickie et al.	D21/757
D581,475	S *	11/2008	Dickie et al.	D21/757
7,485,054	B2 *	2/2009	Rigoli	473/513
D589,099	S *	3/2009	Purnell	D21/724
D589,101	S *	3/2009	Dickie et al.	D21/757
D589,102	S *	3/2009	Dickie et al.	D21/757
7,556,574	B2 *	7/2009	Morrow et al.	473/513

* cited by examiner

Primary Examiner—Mitchell I Siegel

(74) *Attorney, Agent, or Firm*—Sand & Sebolt

(57) **CLAIM**

The ornamental design for the lacrosse stick shaft having a plurality of cavities therein, as shown and described.

DESCRIPTION

FIG. 1 is a perspective view of a lacrosse stick shaft showing the design and with the head and end cap of the lacrosse stick illustrated in phantom as they do not constitute part of the design;

FIG. 2 is a right side view of the design shown in FIG. 1;

FIG. 3 is a left side view of the design shown in FIG. 1;

FIG. 4 is a top view of the design shown in FIG. 1;

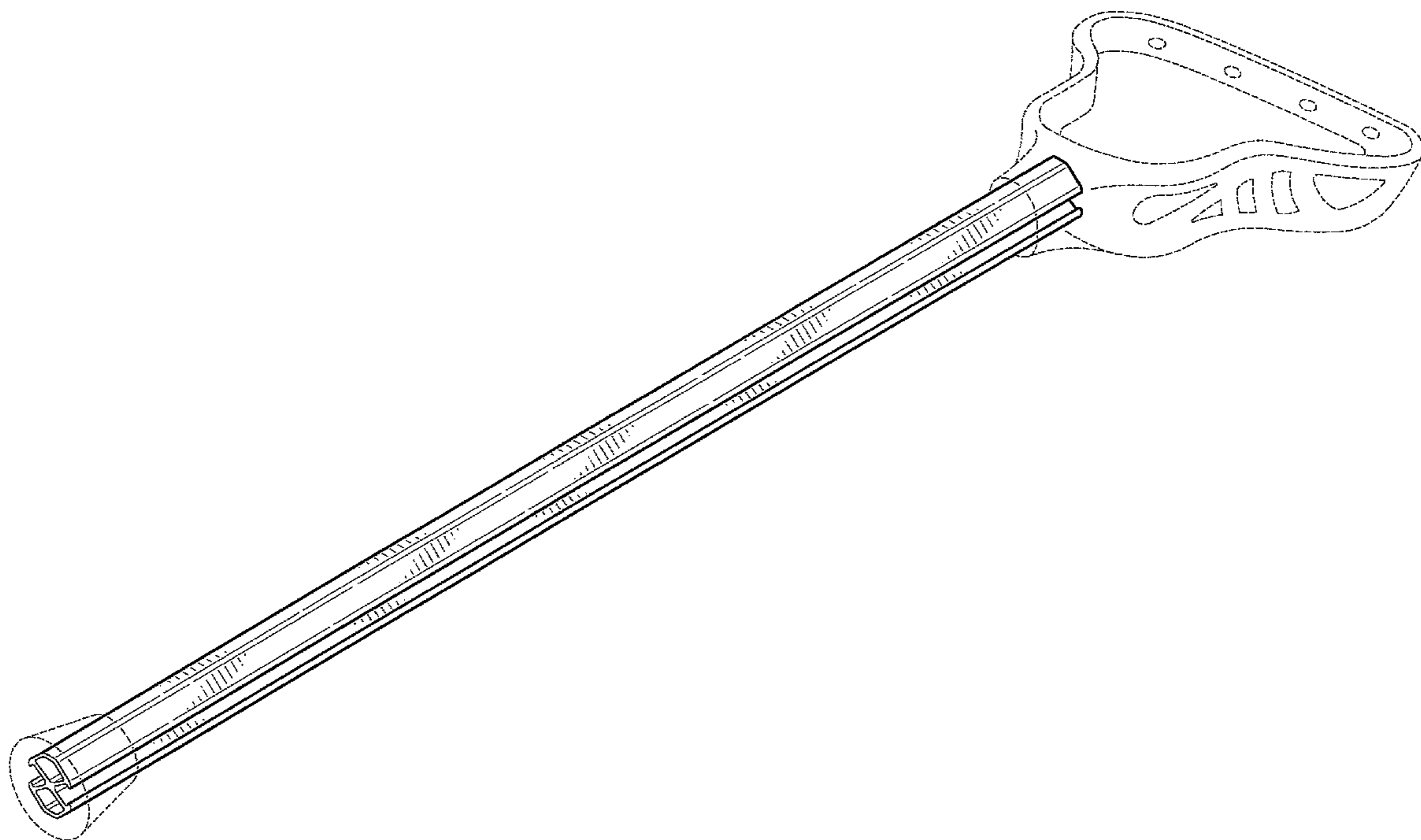
FIG. 5 is a bottom view of the design shown in FIG. 1;

FIG. 6 is a front end view of the design shown in FIG. 1; and,

FIG. 7 is a rear end view of the design shown in FIG. 1.

The broken away section of FIGS. 2–5 is shown for ease of illustration.

1 Claim, 4 Drawing Sheets



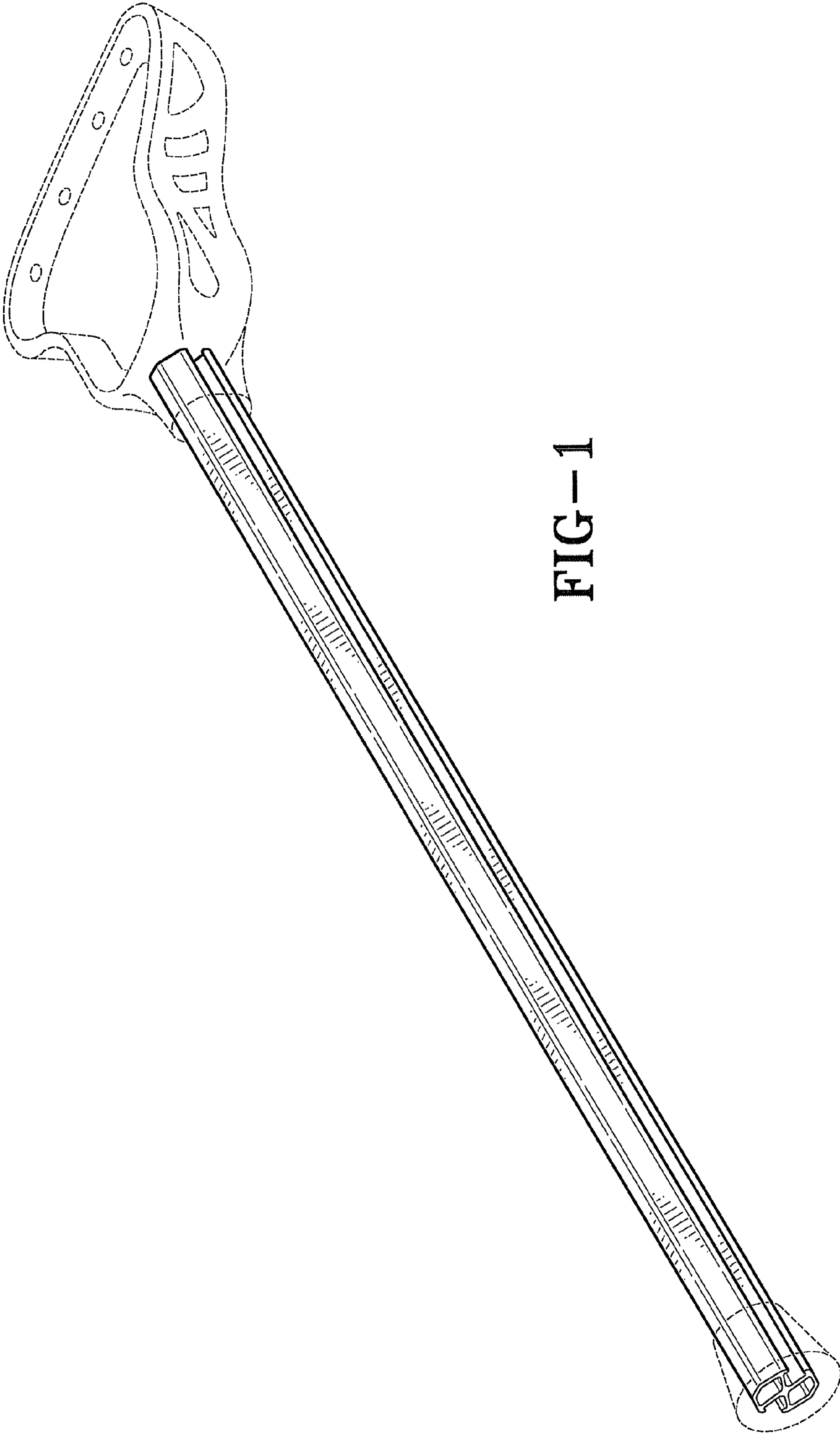


FIG-1

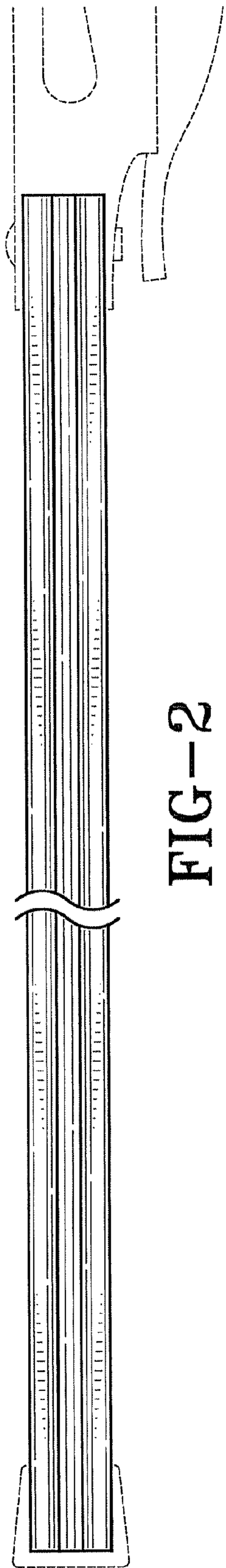


FIG-2

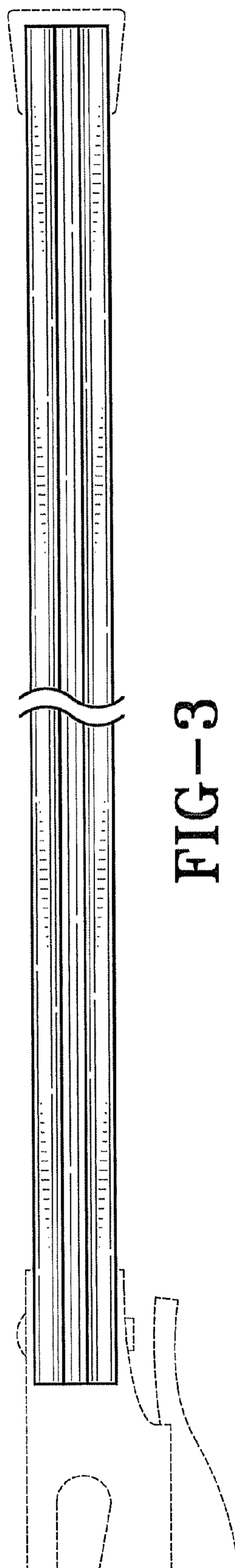


FIG-3

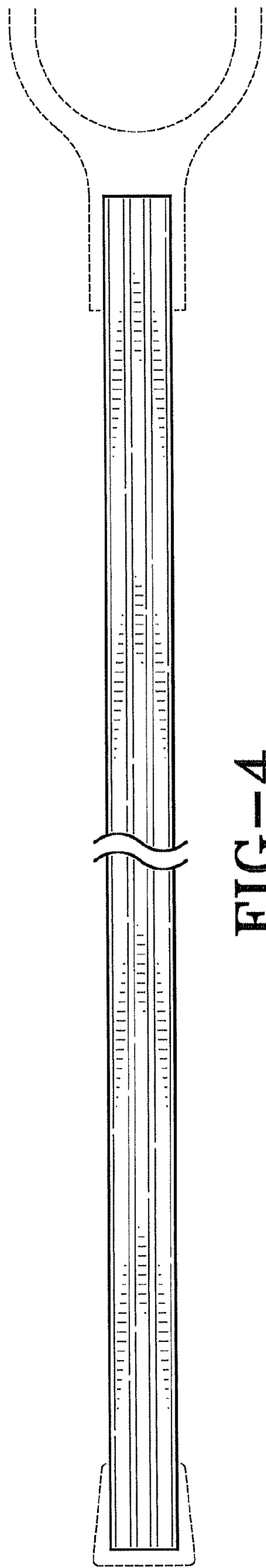


FIG-4

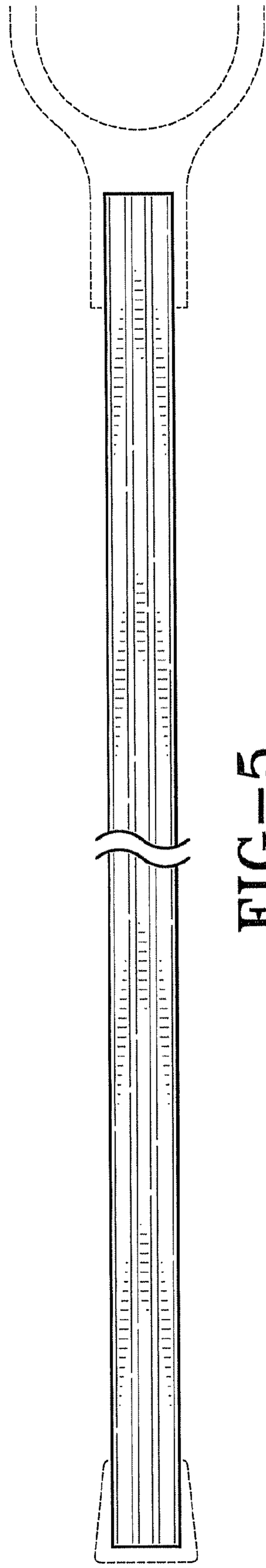


FIG-5

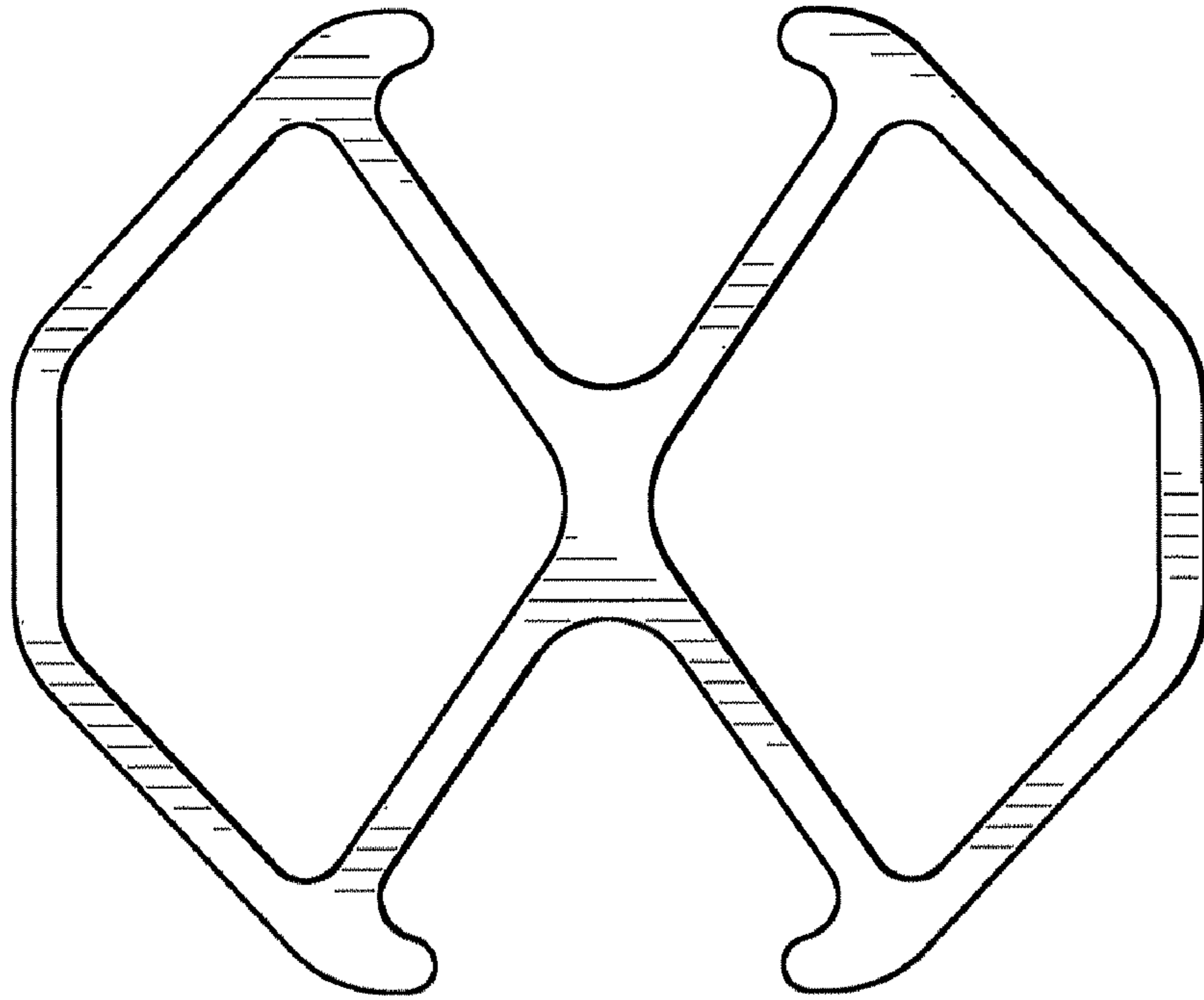


FIG-7

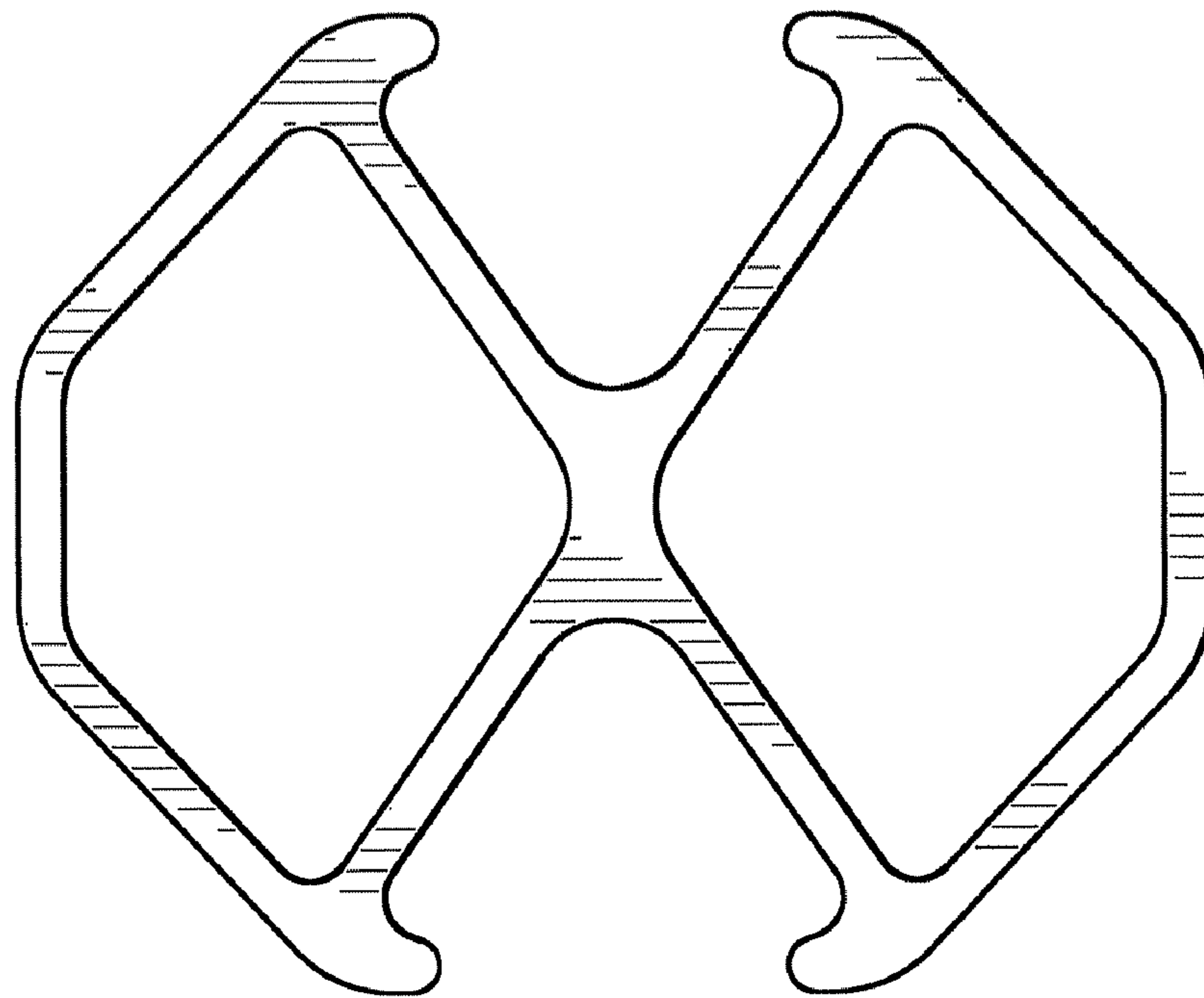


FIG-6