



US00D607067S

(12) **United States Design Patent**  
**Wu**

(10) **Patent No.:** **US D607,067 S**  
(45) **Date of Patent:** **\*\* Dec. 29, 2009**

(54) **FOLDABLE TREADMILL**

(75) Inventor: **Shen-Yi Wu**, Taichung (TW)

(73) Assignee: **Strength Master Fitness Tech. Co., Ltd.**, Taichung (TW)

(\*\*) Term: **14 Years**

(21) Appl. No.: **29/311,623**

(22) Filed: **May 4, 2009**

(30) **Foreign Application Priority Data**

Jan. 7, 2009 (TW) ..... 98300045

(51) **LOC (9) Cl.** ..... **21-02**

(52) **U.S. Cl.** ..... **D21/669**

(58) **Field of Classification Search** ..... D21/662,  
D21/669, 668, 670; 482/51, 52, 54, 70  
See application file for complete search history.

(56) **References Cited**

**U.S. PATENT DOCUMENTS**

D333,330 S \* 2/1993 Clem ..... D21/669  
D355,227 S \* 2/1995 Summers et al. .... D21/669  
D369,843 S \* 5/1996 Wang et al. .... D21/669  
D416,298 S \* 11/1999 Onuma et al. .... D21/669  
6,019,706 A \* 2/2000 Wang et al. .... 482/54

6,050,922 A \* 4/2000 Wang ..... 482/54  
6,126,576 A \* 10/2000 Wang ..... 482/54  
6,171,216 B1 \* 1/2001 Wang et al. .... 482/54  
D500,348 S \* 12/2004 Parise ..... D21/669  
6,945,914 B1 \* 9/2005 Cheng ..... 482/54

\* cited by examiner

*Primary Examiner*—Philip S Hyder

(74) *Attorney, Agent, or Firm*—Rosenberg, Klein & Lee

(57) **CLAIM**

The ornamental design for a foldable treadmill, as shown and described.

**DESCRIPTION**

FIG. 1 is a perspective view of a foldable treadmill showing my new design;

FIG. 2 is a front elevational view thereof;

FIG. 3 is a rear elevational view thereof;

FIG. 4 is a left side view thereof;

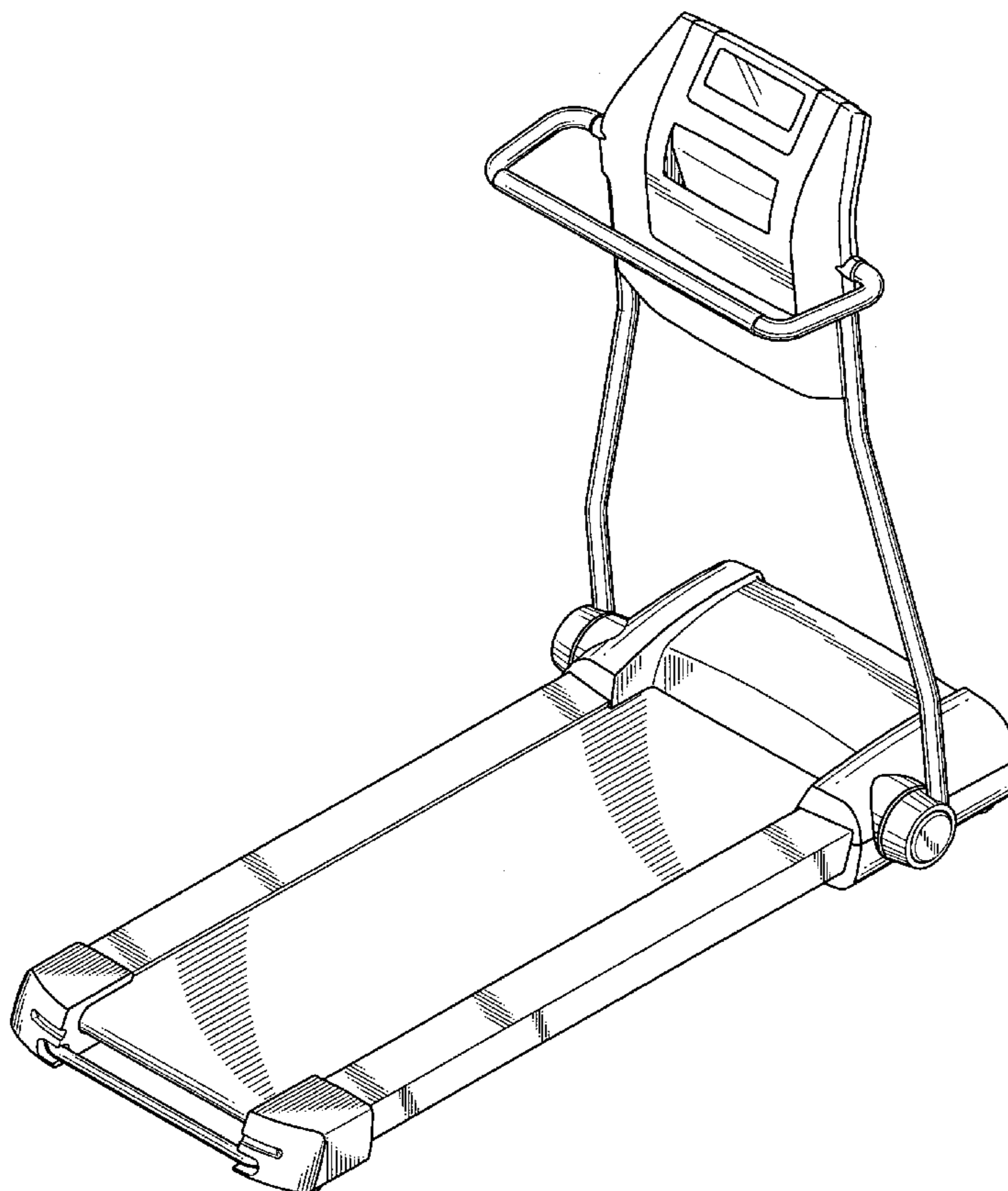
FIG. 5 is a right side view thereof;

FIG. 6 is a top plain view thereof; and,

FIG. 7 is a bottom plain view thereof.

The elements depicted by broken lines in FIG. 7 form no part of the claimed design.

**1 Claim, 6 Drawing Sheets**



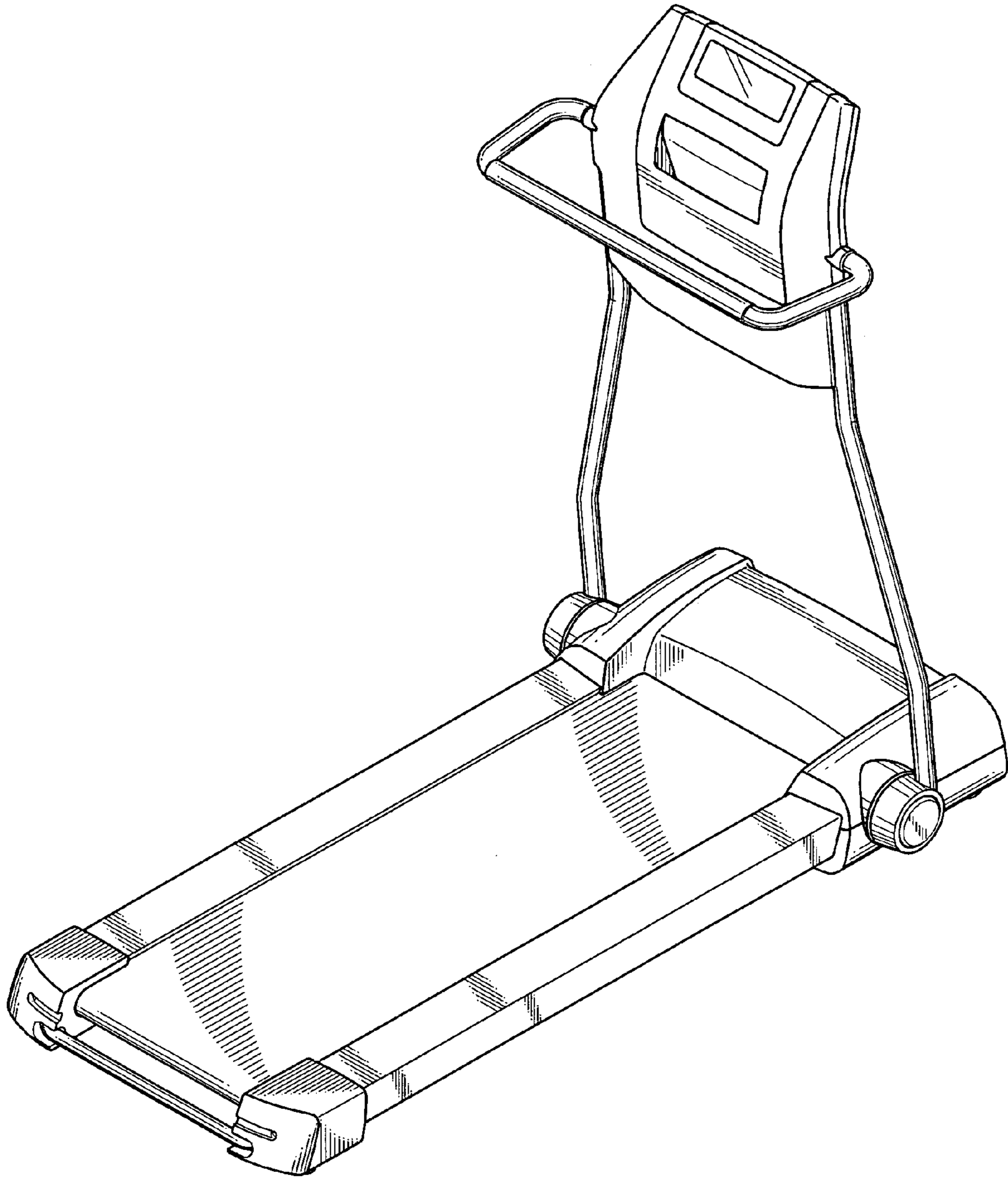


FIG. 1

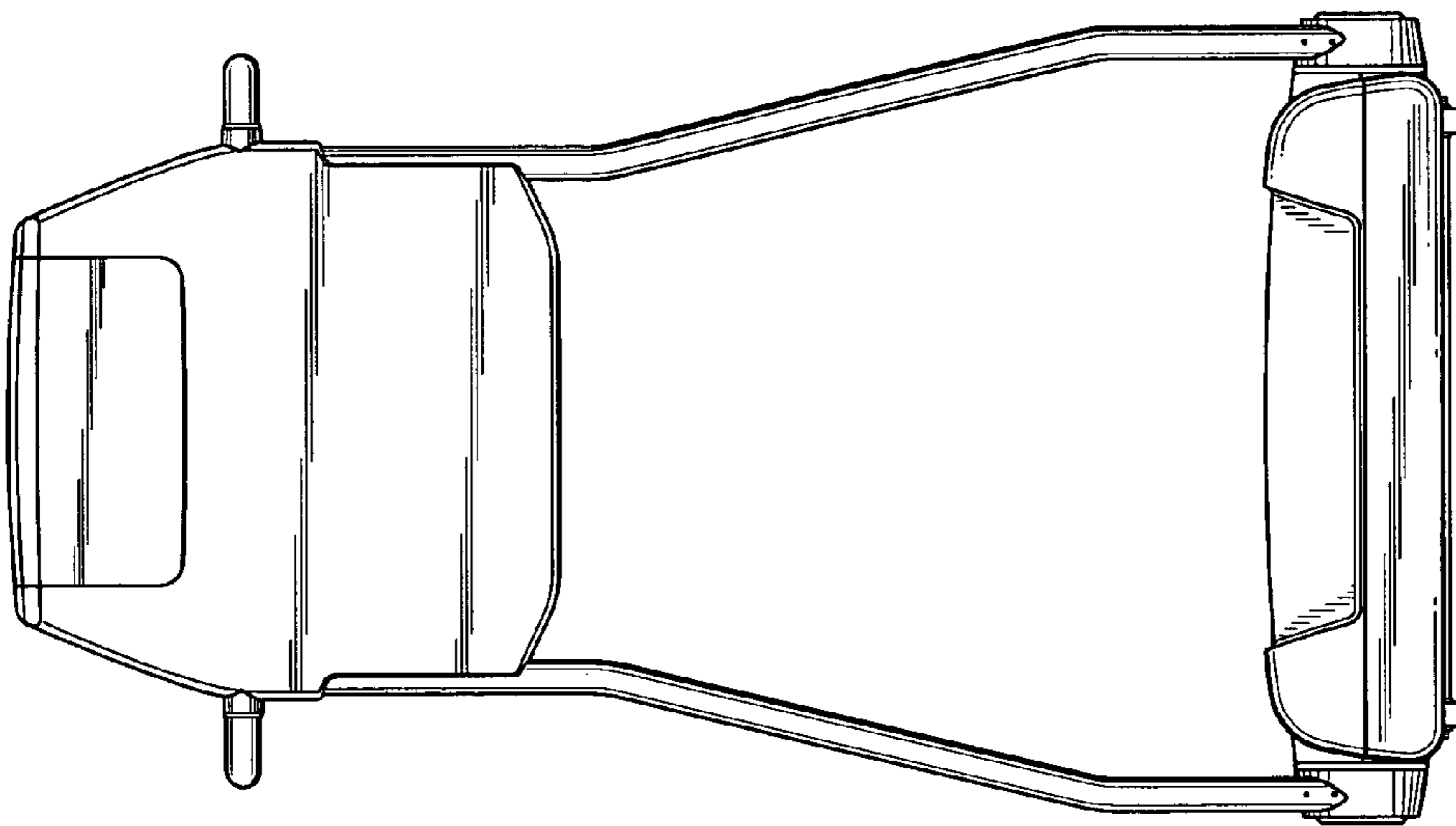


FIG. 3

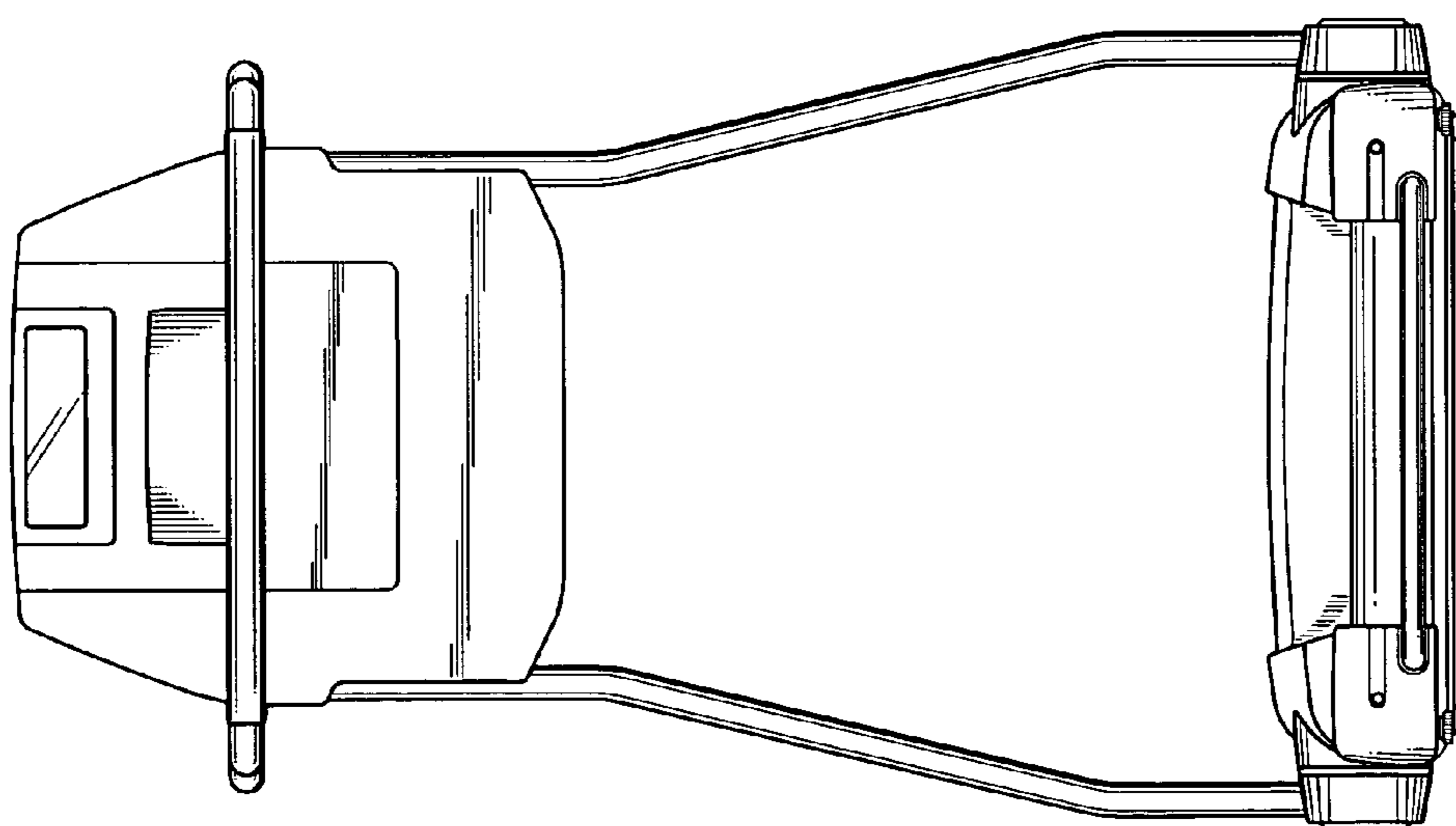


FIG. 2

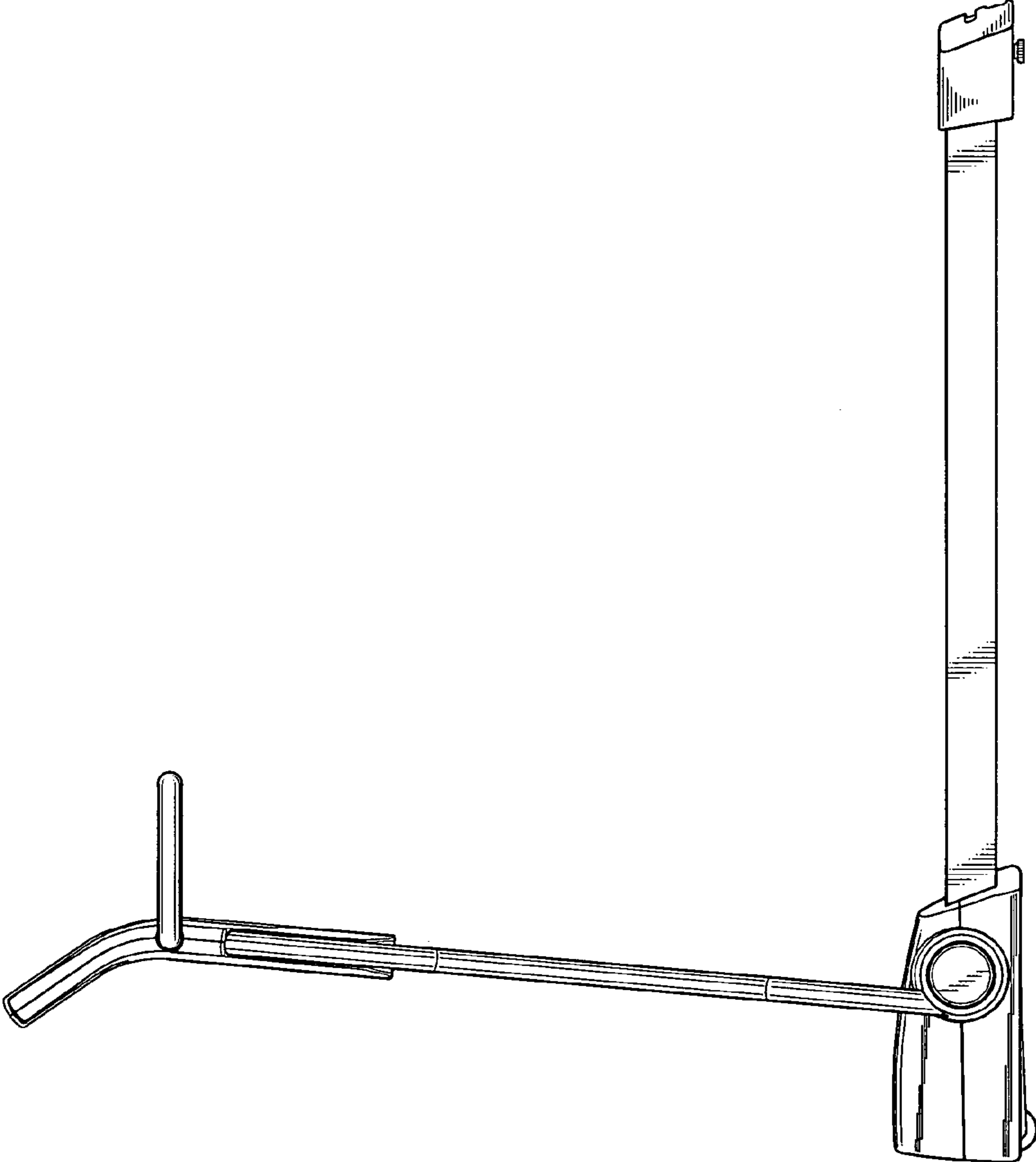


FIG. 4

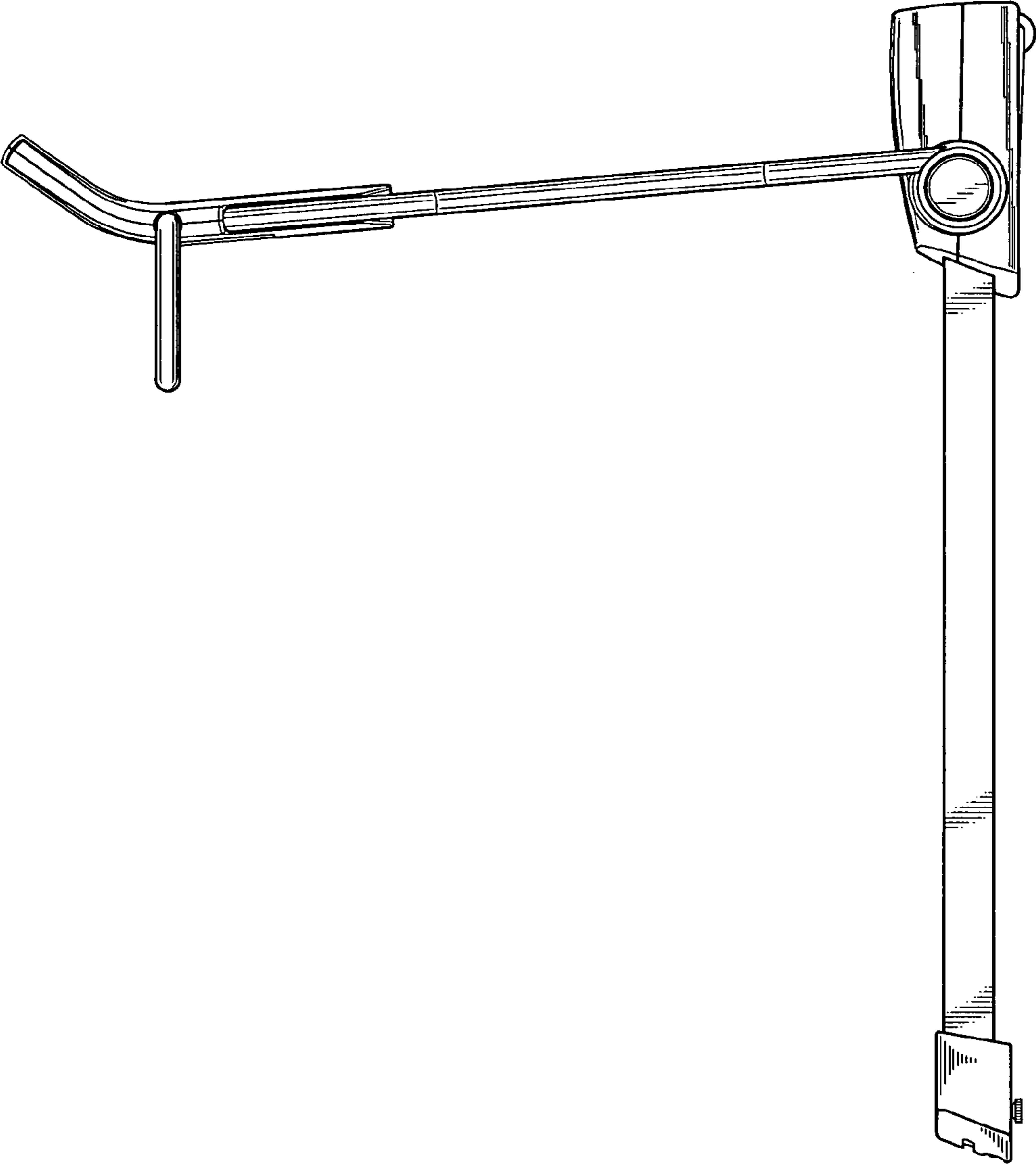


FIG. 5

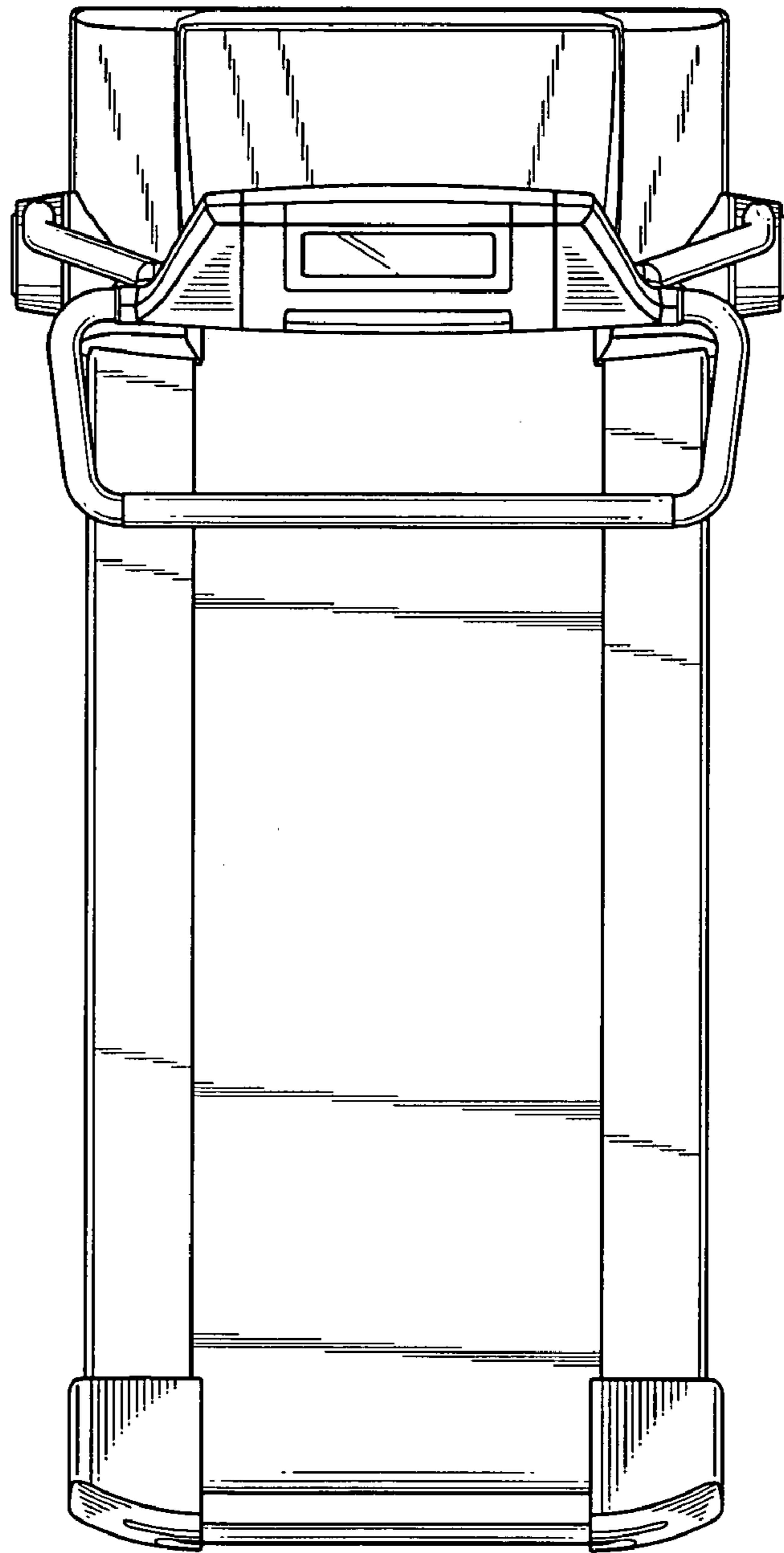


FIG. 6

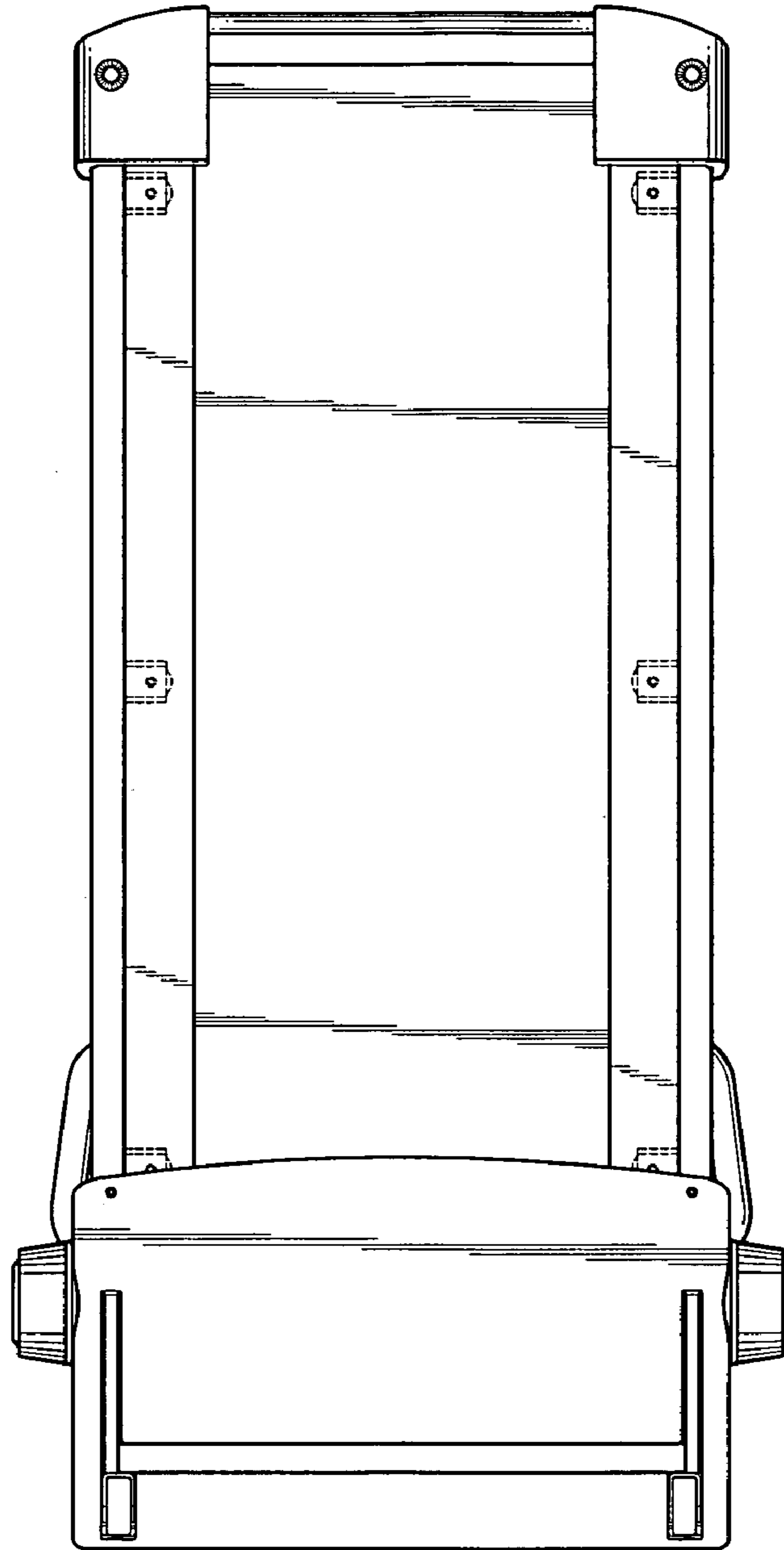


FIG. 7