



US00D607062S

(12) **United States Design Patent**  
**Stancik**

(10) **Patent No.:** **US D607,062 S**

(45) **Date of Patent:** **\*\* Dec. 29, 2009**

(54) **GAME TICKET**

(75) Inventor: **Robert G. Stancik**, Chagrin Falls, OH (US)

(73) Assignee: **Arrow International, Inc.**, Cleveland, OH (US)

(\*\*) Term: **14 Years**

(21) Appl. No.: **29/322,312**

(22) Filed: **Aug. 1, 2008**

(51) **LOC (9) Cl.** ..... **21-01**

(52) **U.S. Cl.** ..... **D21/377**

(58) **Field of Classification Search** ..... D19/11;  
D20/20; D21/369, 377, 385–386; 273/139,  
273/148 R, 269, 292–293; 283/105, 903;  
463/17

See application file for complete search history.

(56) **References Cited**

**U.S. PATENT DOCUMENTS**

4,775,155	A	10/1988	Lees	
5,949,042	A *	9/1999	Dietz et al.	273/148 R
5,988,688	A *	11/1999	Such	273/139
6,106,019	A *	8/2000	Such	283/105
6,234,477	B1 *	5/2001	Scrymgeour et al.	273/139
6,305,687	B1	10/2001	Pollock et al.	
6,447,395	B1 *	9/2002	Stevens	273/139
6,543,808	B1 *	4/2003	Mitchell et al.	283/903
6,698,755	B2	3/2004	Cherry	
6,923,445	B2 *	8/2005	Such	273/269
D543,592	S	5/2007	Singh et al.	

**OTHER PUBLICATIONS**

Printout from Website, <http://www.bonanzapress.com/chips.html>, of Chips pull tab games of Bonanza Press Apr. 21, 2008.

Printout from Website, <http://arrowinternational.com/tear/>, of Casino Bingo Tear-Opens games of Arrow International Apr. 21, 2008.

Arrow International, Inc. "Jar Tickets" catalog, cover page and p. 10, 2008.

Arrow International, Inc. "Classic Tickets" catalog, cover pages and p. 15, 2008.

Arrow International, Inc. "Seal and Event Tickets" catalog, cover page and p. 10, 2008.

Digital Photocopy of front and back sides of several competitive tickets, namely, 8 Ball, Bear Paws, Hey Beer Man!, Bonus Board, Whacky Weiners and Spin N Win, 2 pages.

Football and Pig Pile tickets, Bonanza Press, © 2003.

\* cited by examiner

*Primary Examiner*—Sandra Morris

(74) *Attorney, Agent, or Firm*—Fay Sharpe LLP

(57) **CLAIM**

The ornamental design for a game ticket, as shown and described.

**DESCRIPTION**

FIG. 1 is a top perspective view of a game ticket illustrating my new design;

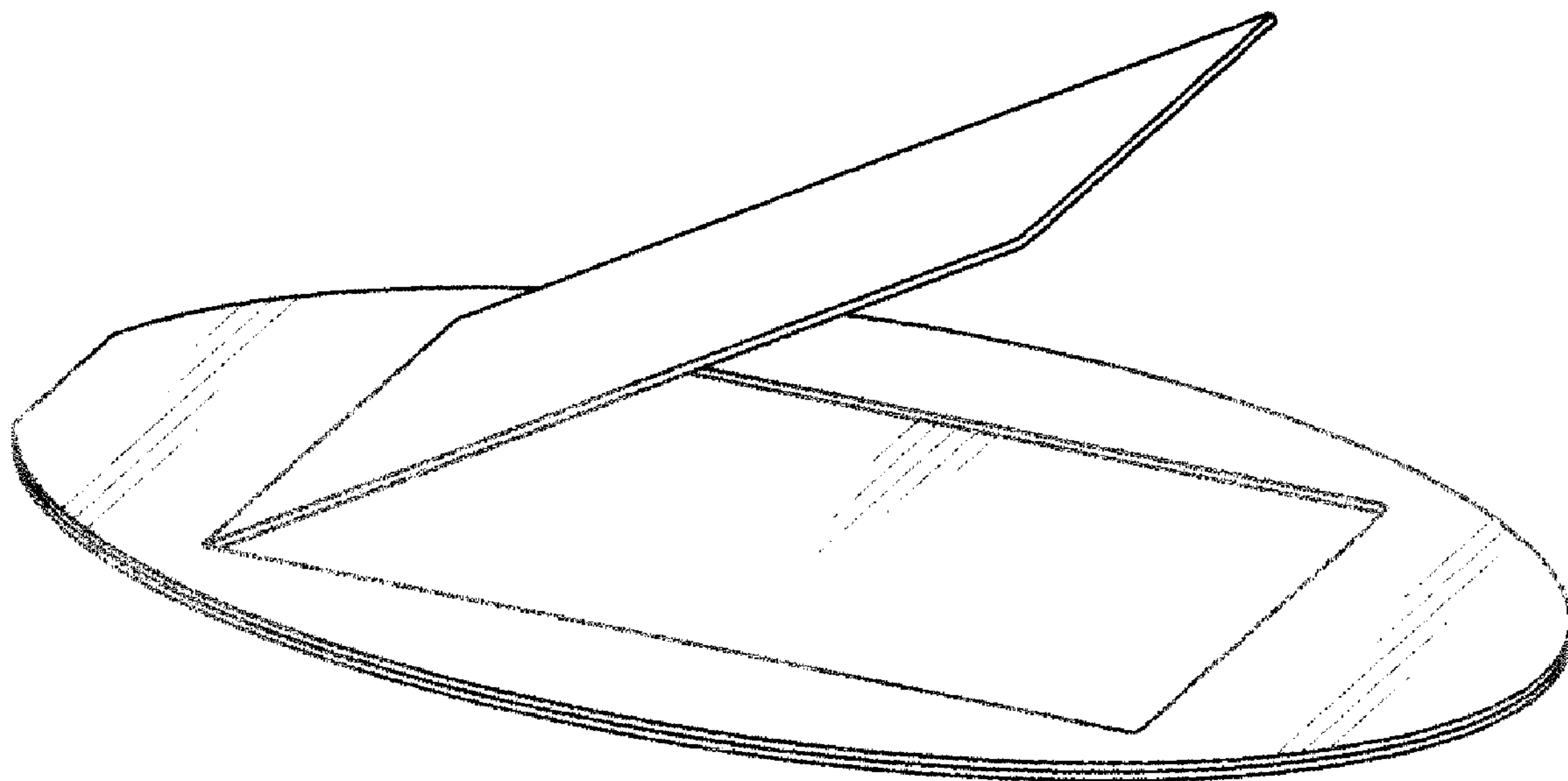
FIG. 2 is a bottom plan view thereof, with the broken line representing a perforation;

FIG. 3 is a top plan view thereof;

FIG. 4 is a side elevational view thereof from the left side, with the right side being a mirror image thereof; and,

FIG. 5 is a bottom perspective view thereof, with a flap of the game ticket being open.

**1 Claim, 2 Drawing Sheets**



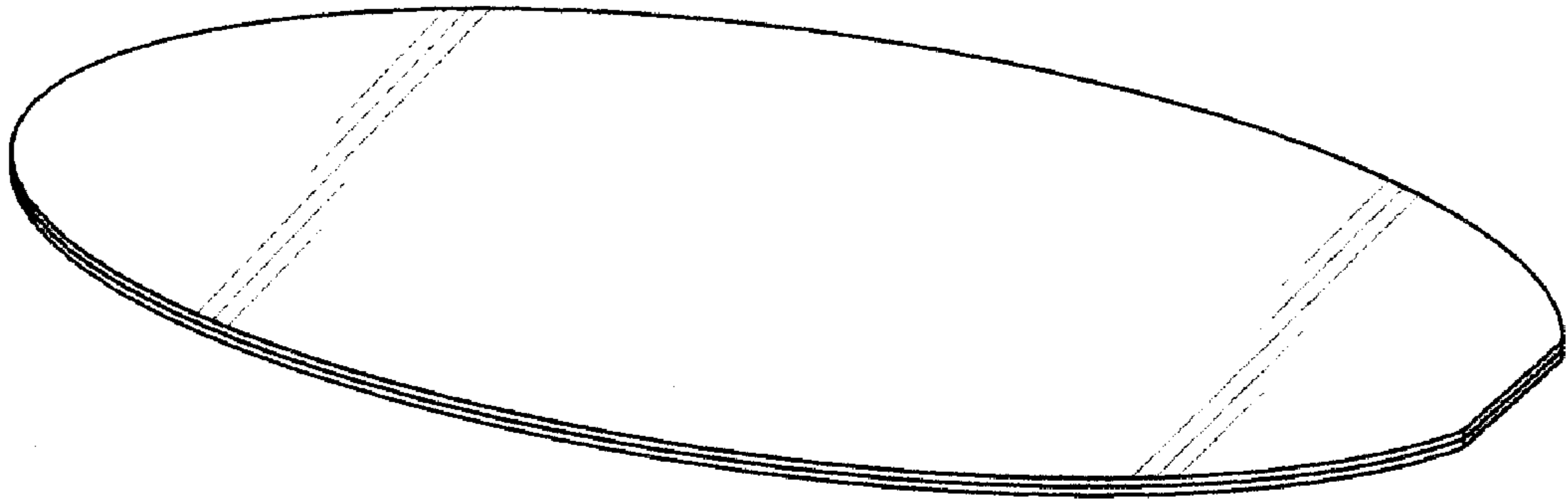


FIG. 1

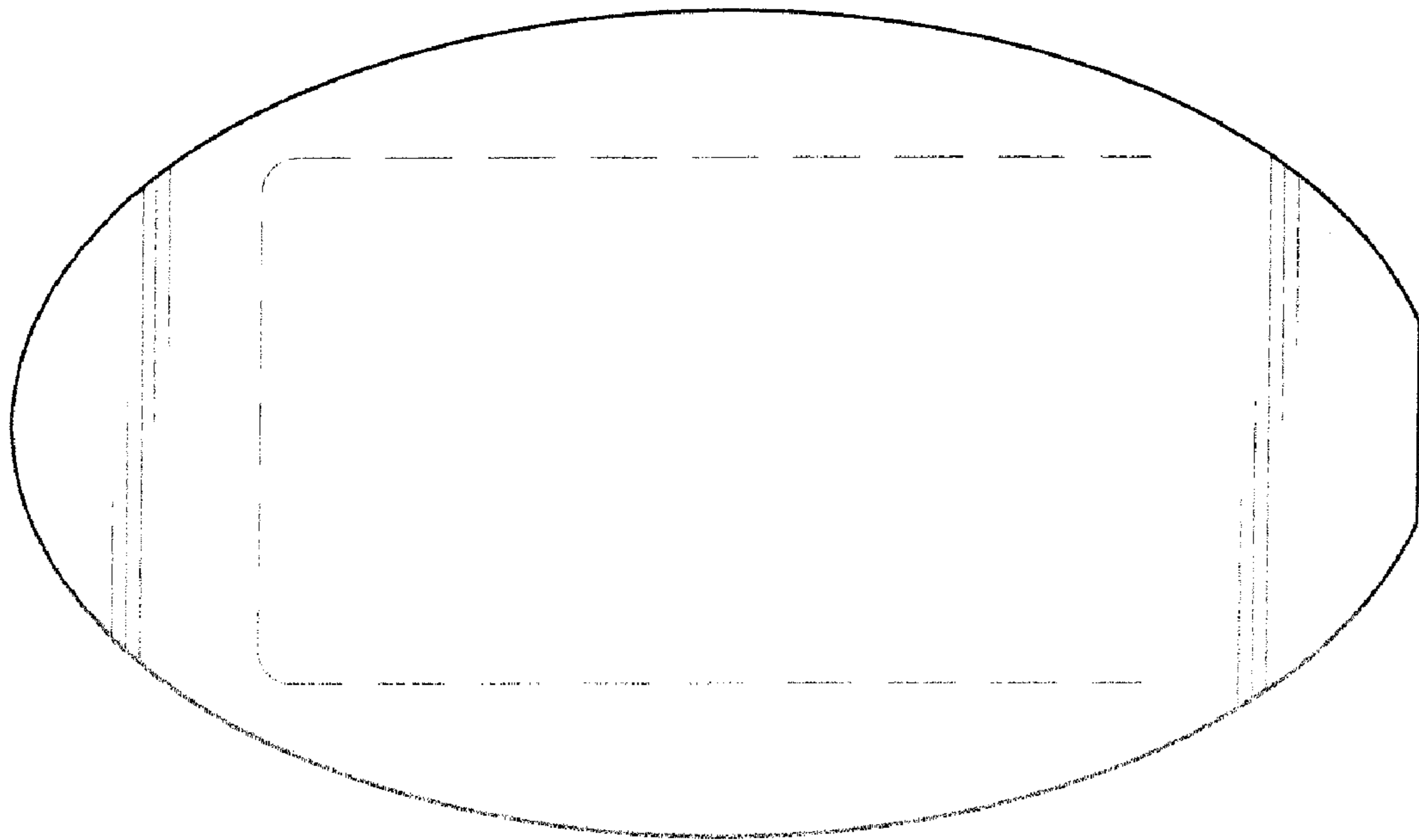


FIG. 2

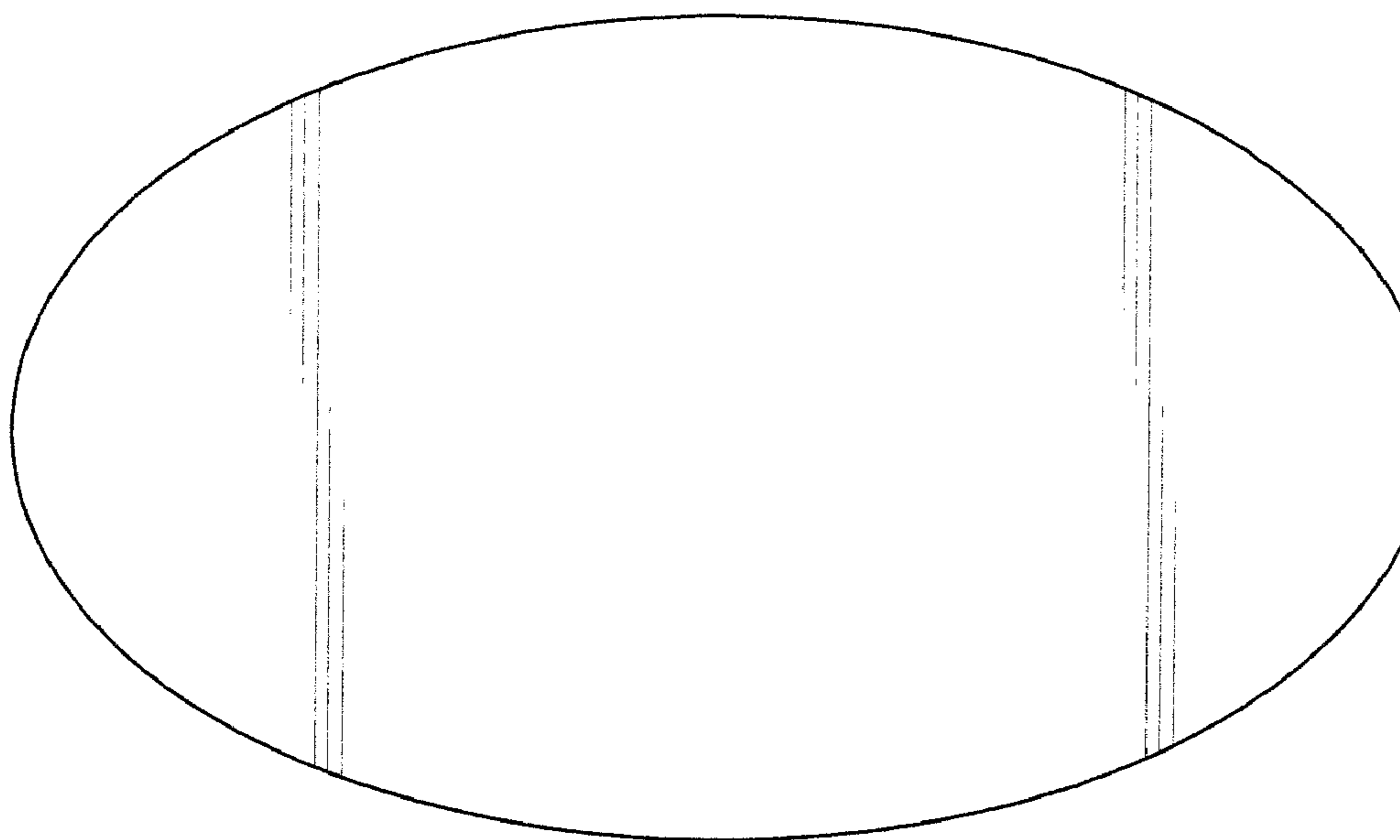


FIG. 3

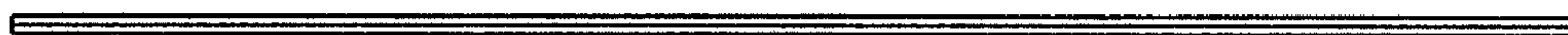


FIG. 4

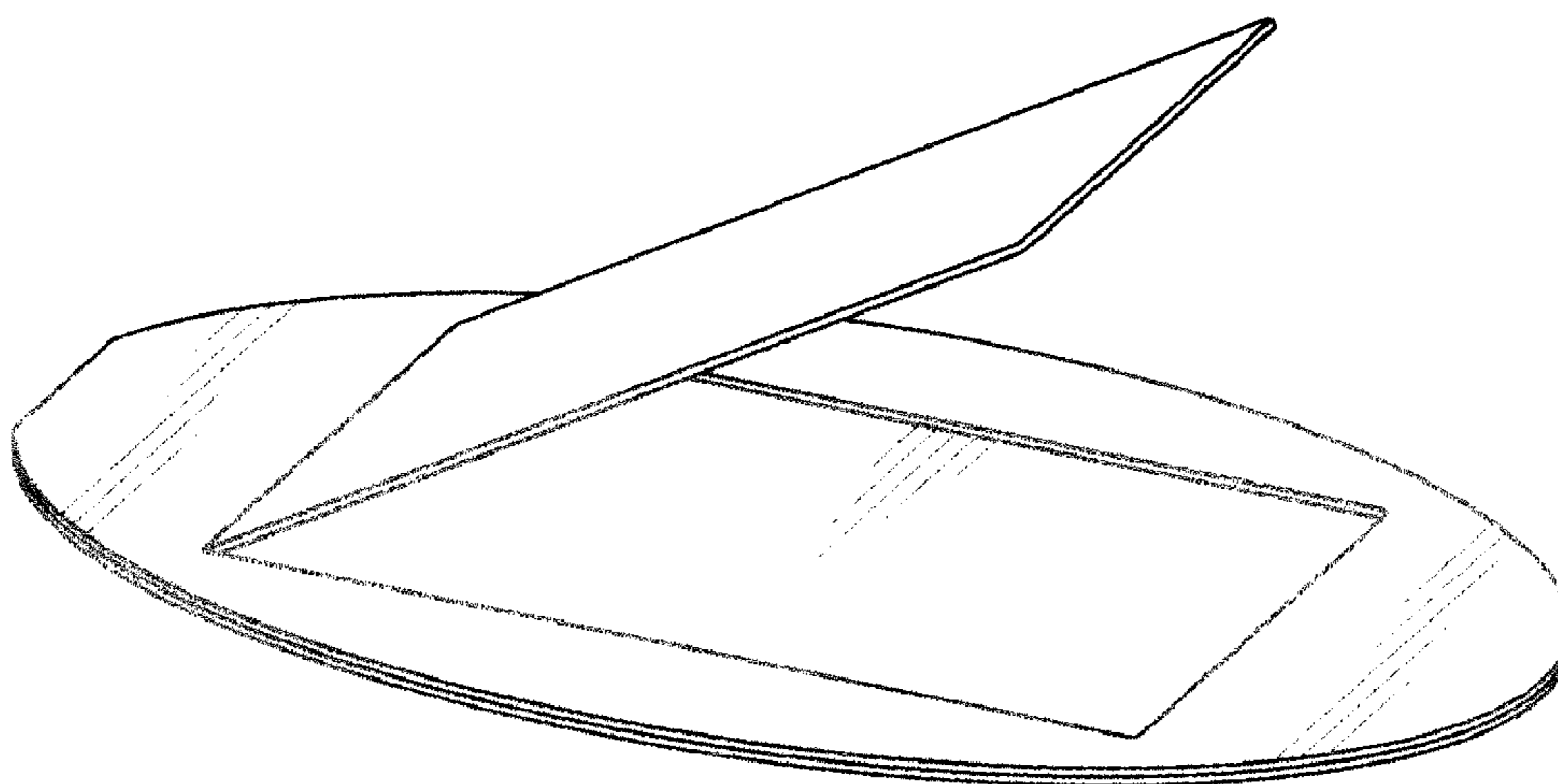


FIG. 5