

US00D607050S

(12) **United States Design Patent**
Iritani

(10) **Patent No.:** **US D607,050 S**
(45) **Date of Patent:** **** Dec. 29, 2009**

(54) **PRINTER**

(75) Inventor: **Yu Iritani**, Chofu (JP)

(73) Assignee: **Konica Minolta Business Machines Technologies, Inc.**, Chiyoda-Ku, Tokyo (JP)

(**) Term: **14 Years**

(21) Appl. No.: **29/325,432**

(22) Filed: **Oct. 1, 2008**

(30) **Foreign Application Priority Data**

Apr. 4, 2008 (JP) D 2008-008726

(51) **LOC (9) Cl.** **14-02**

(52) **U.S. Cl.** **D18/55**

(58) **Field of Classification Search** D18/36-37,
D18/50, 54, 54.1, 55, 19; D14/420-425,
D14/463-470; 400/613, 613.1-613.4, 690.1-690.4,
400/691-694

See application file for complete search history.

(56) **References Cited**

U.S. PATENT DOCUMENTS

D328,093	S	*	7/1992	Shimizu et al.	D18/36
D334,769	S	*	4/1993	Yamamoto et al.	D18/36
D339,152	S	*	9/1993	Hirose et al.	D18/39
D378,925	S	*	4/1997	Komatsu	D18/38
D380,006	S	*	6/1997	Takahashi et al.	D18/39
D404,418	S	*	1/1999	Takeuchi	D18/39
D408,844	S	*	4/1999	Komatsu	D18/39
D526,351	S	*	8/2006	Yamamoto et al.	D18/55

D565,650	S	*	4/2008	Tani	D18/50
D584,347	S	*	1/2009	Hong et al.	D18/55
D589,083	S	*	3/2009	Suzuki et al.	D18/36

OTHER PUBLICATIONS

Riofrio, Melissa, "Konica Minolta Magicolor 2590MF Color Laser Multifunction Printer," *PC World*, Feb. 5, 2008, http://www.pcworld.com/article/142018/konica_minolta_magicolor_2590mf_color_laser_multifunction_printer.html.
"Konica Minolta Magicolor 2490MF Review," *McNerdy's Reviews*, Mar. 24, 2008; <http://mcnerdy.thenerds.net/index.php?/archives/30-Konica-Minolta-Magicolor-2490MF-Review.html>.

* cited by examiner

Primary Examiner—Cathy Anne MacCormac

(74) *Attorney, Agent, or Firm*—Buchanan Ingersoll & Rooney PC

(57) **CLAIM**

The ornamental design for an printer, as shown.

DESCRIPTION

FIG. 1 is a perspective view of a printer showing my new design;

FIG. 2 is a front elevational view thereof;

FIG. 3 is a rear elevational view thereof;

FIG. 4 is a left side view thereof;

FIG. 5 is a right side view thereof;

FIG. 6 is a top plan view thereof; and,

FIG. 7 is a bottom plan view thereof.

1 Claim, 7 Drawing Sheets

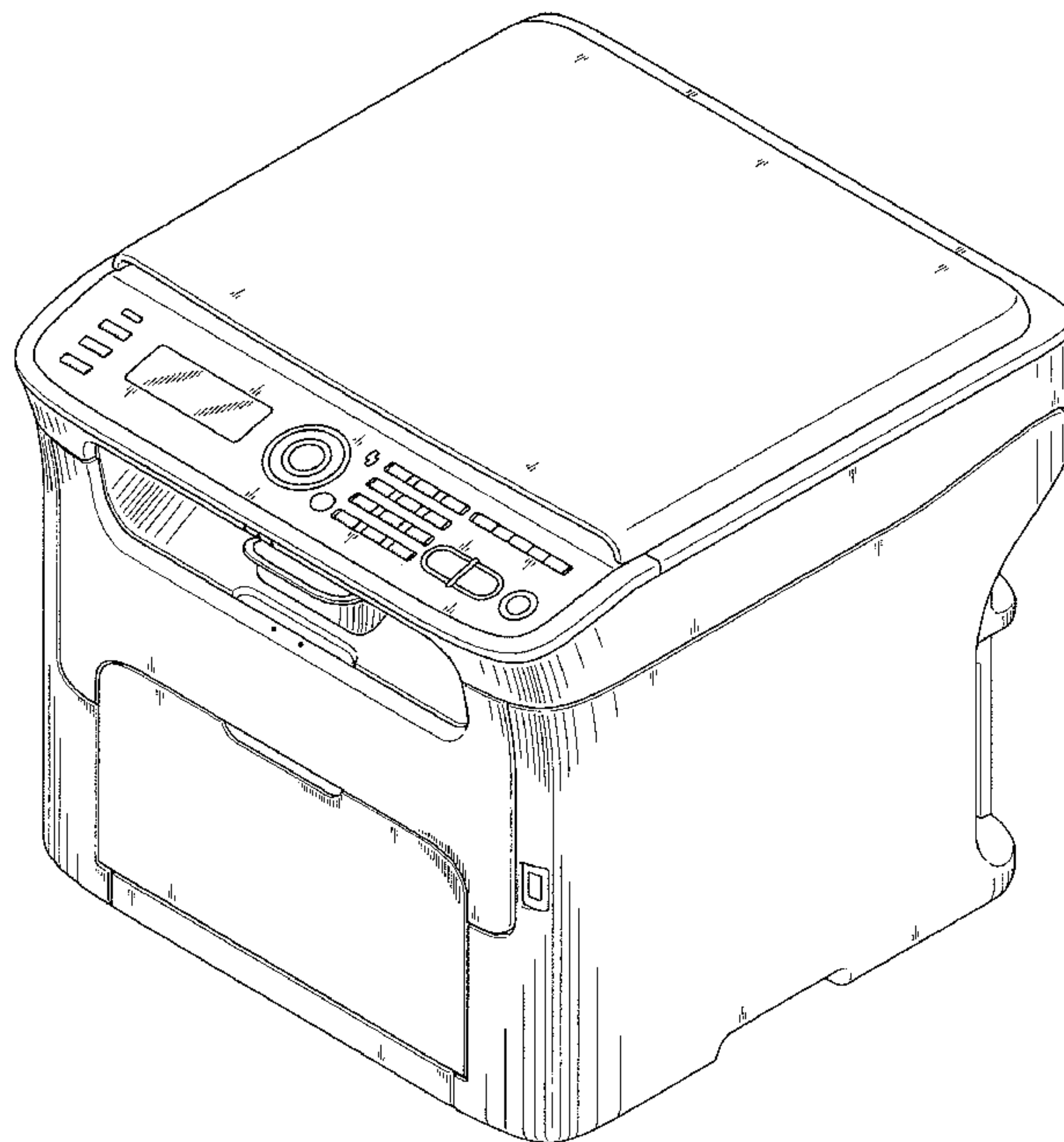


Fig. 1

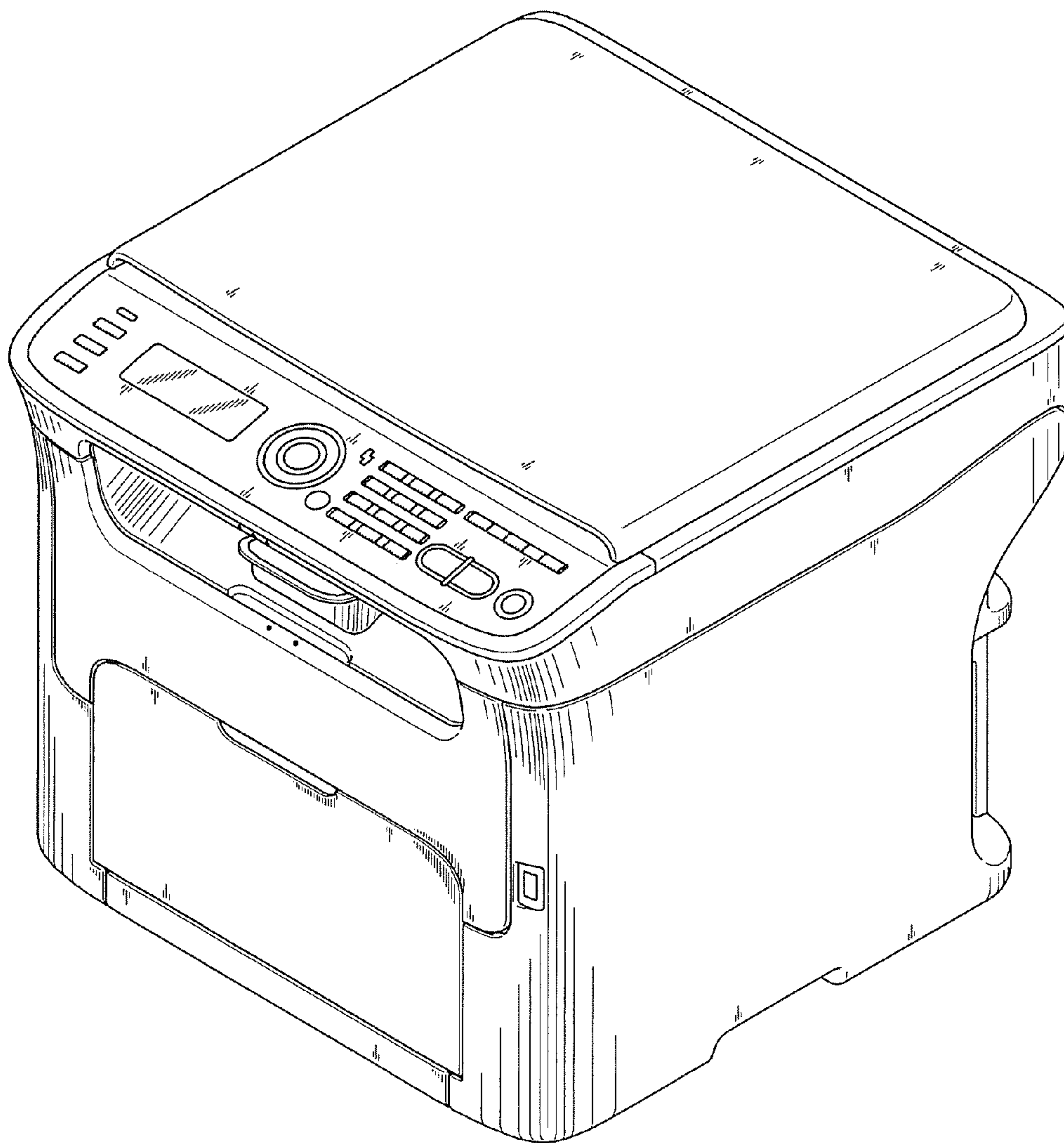


Fig. 2

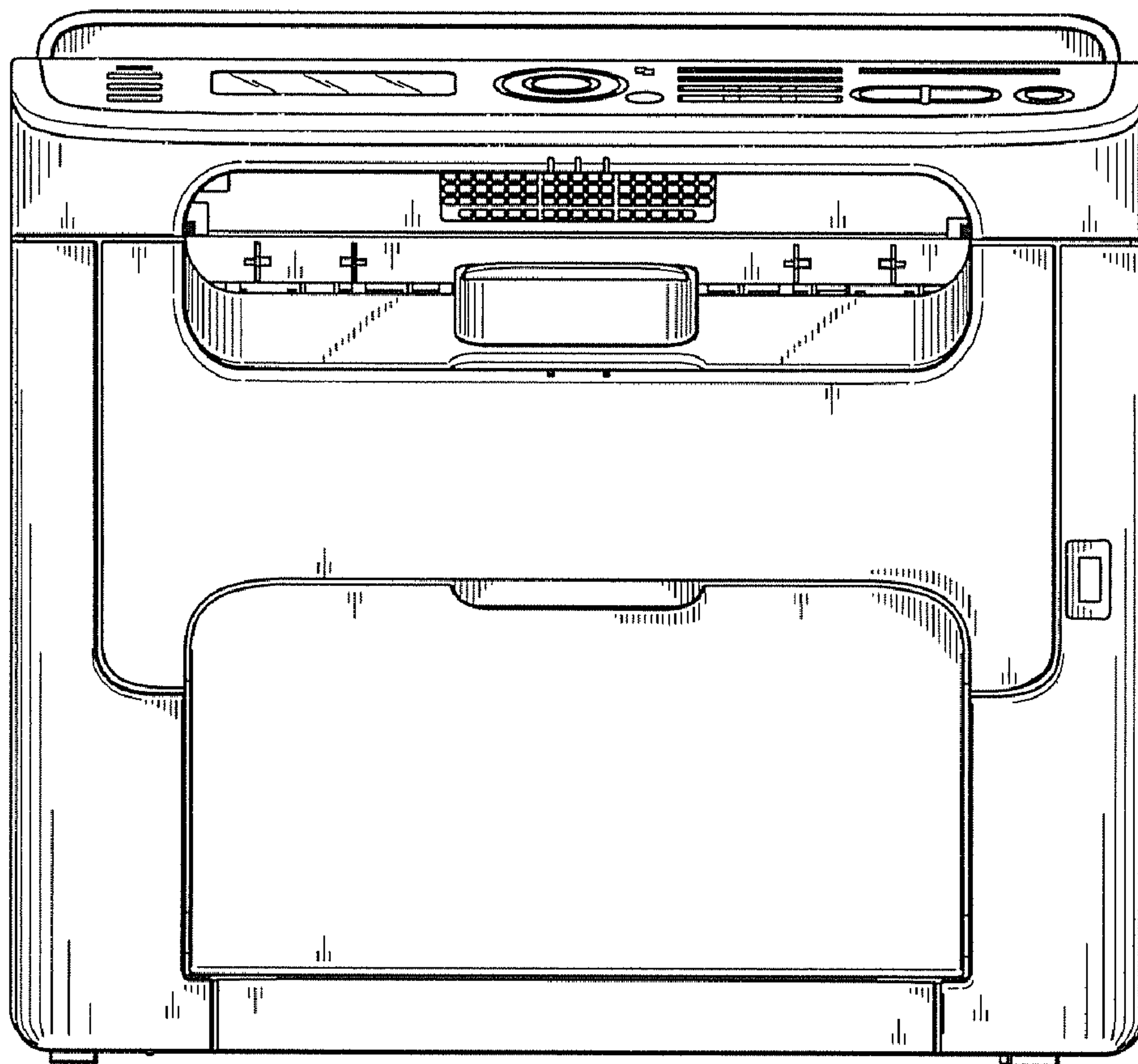


Fig. 3

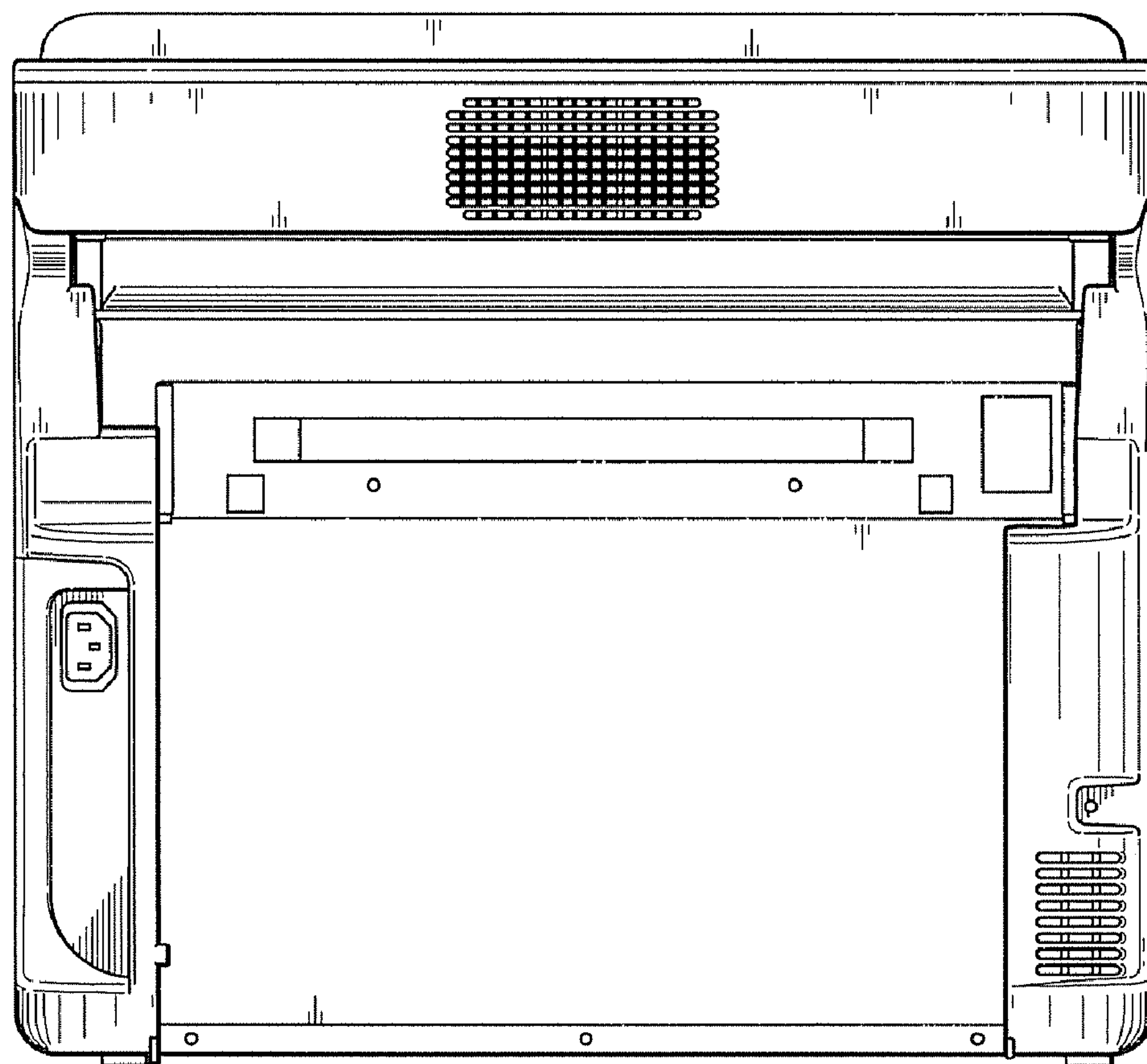


Fig. 4

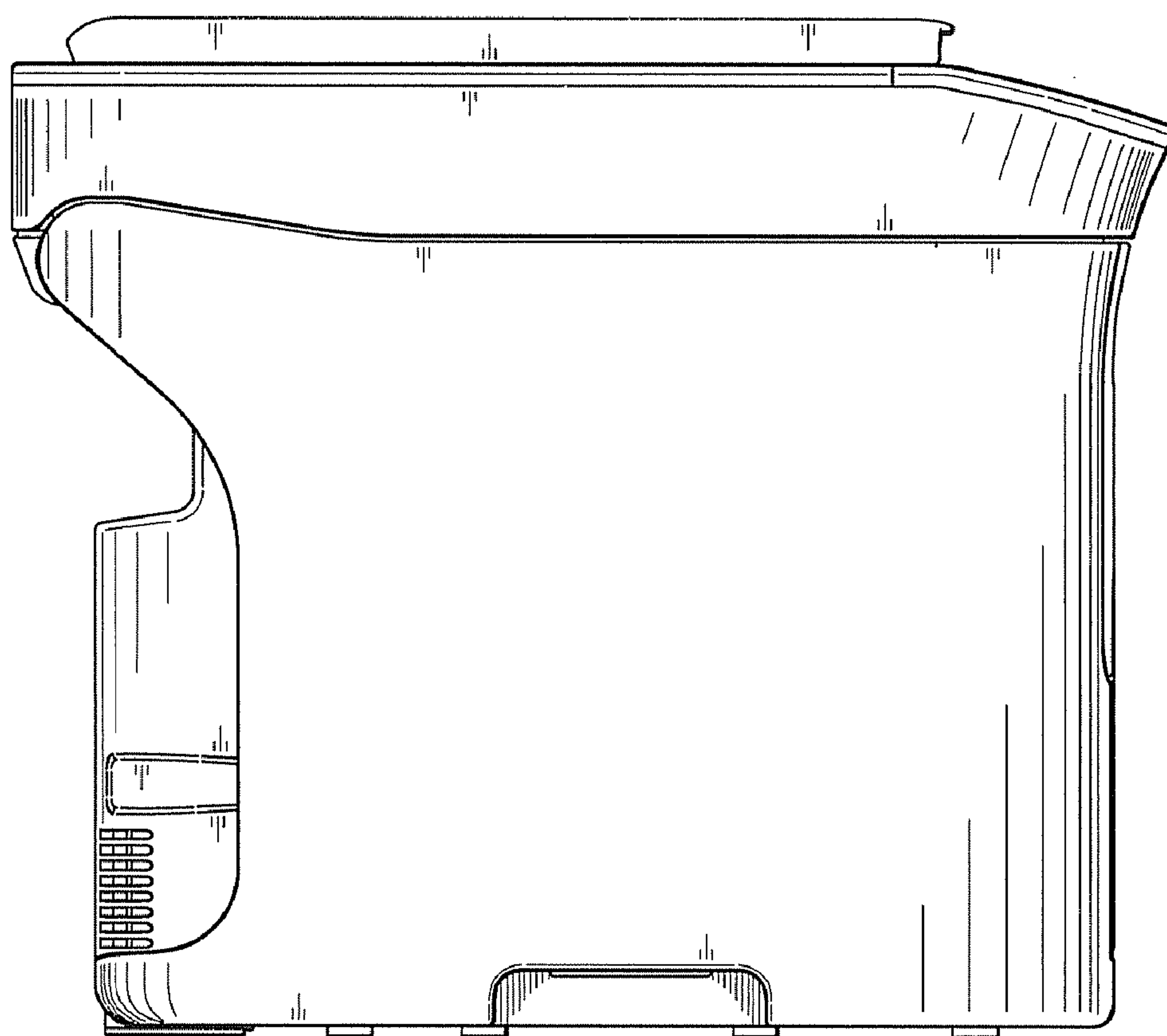


Fig. 5

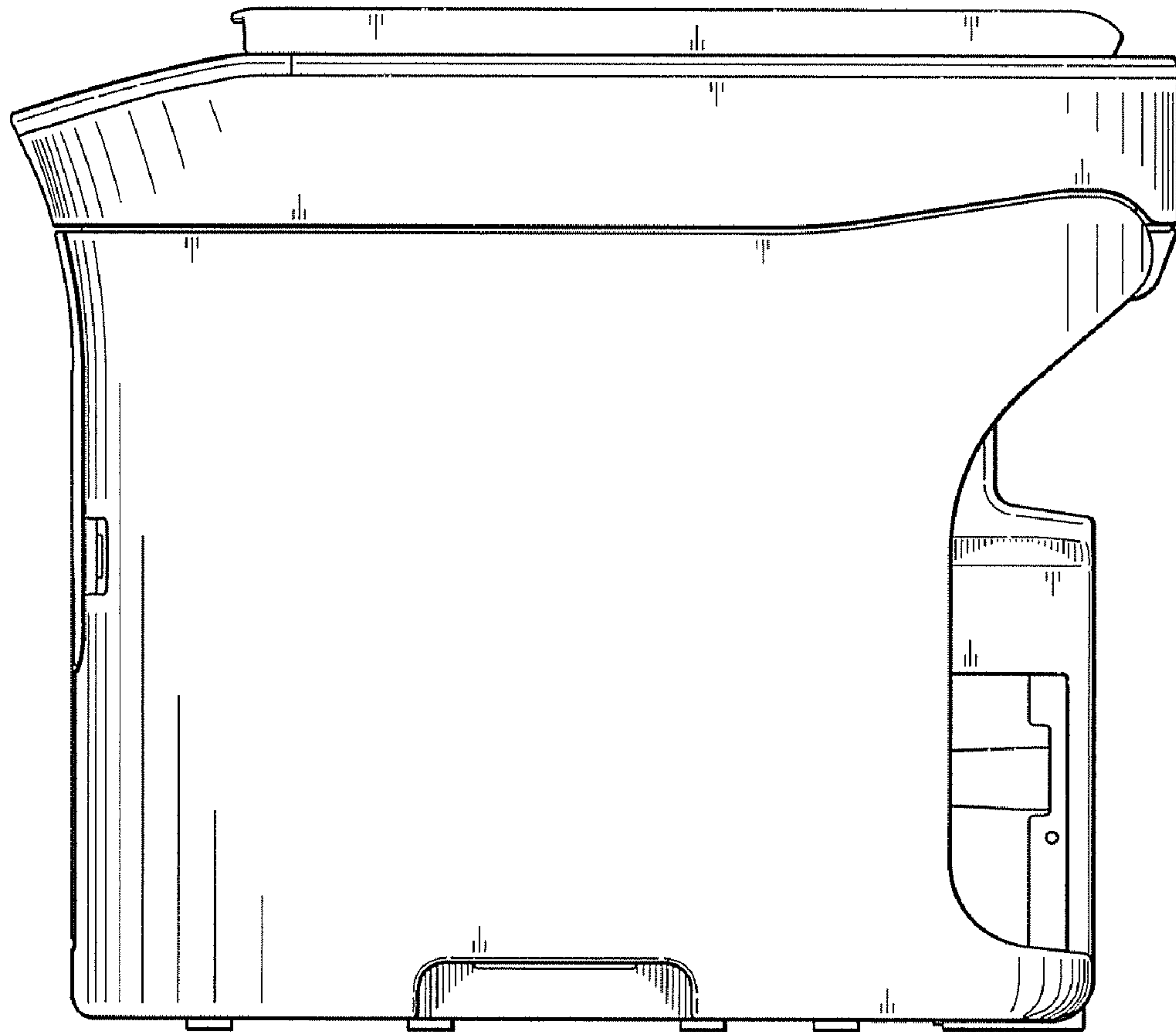


Fig. 6

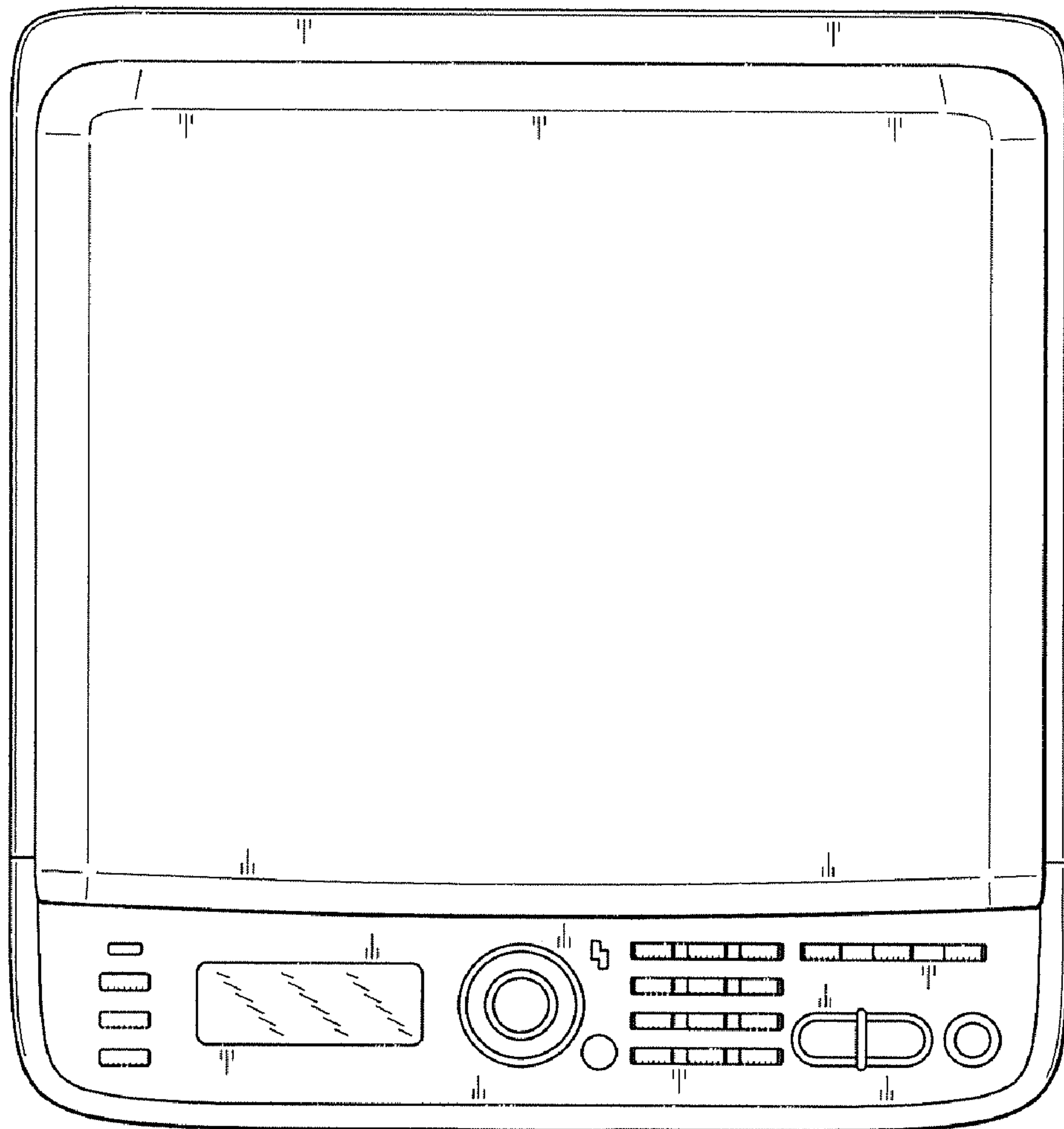


Fig. 7

