



US00D607046S

(12) **United States Design Patent**
Sato

(10) **Patent No.:** **US D607,046 S**

(45) **Date of Patent:** **** Dec. 29, 2009**

(54) **PRINTER**

(75) Inventor: **Yukihiko Sato**, Nagoya (JP)

(73) Assignee: **Brother Industries, Ltd.**, Nagoya (JP)

(**) Term: **14 Years**

(21) Appl. No.: **29/300,515**

(22) Filed: **Apr. 4, 2008**

(30) **Foreign Application Priority Data**

Oct. 5, 2007 (JP) 2007-027319

(51) **LOC (9) Cl.** **18-02**

(52) **U.S. Cl.** **D18/50; D18/56**

(58) **Field of Classification Search** D18/36-37,
D18/50, 54, 54.1, 55, 19; D14/420-425,
D14/463-470; 400/613, 613.1-613.4, 690.1-690.4,
400/691-694

See application file for complete search history.

(56) **References Cited**

U.S. PATENT DOCUMENTS

- D266,849 S * 11/1982 Meister et al. D18/54
- D290,125 S * 6/1987 Takahashi D18/54
- D317,459 S * 6/1991 Ono D18/54
- D402,977 S * 12/1998 Lytel D14/130

- D466,920 S * 12/2002 Kawahara et al. D18/50
- D518,090 S * 3/2006 Massey et al. D18/50
- D534,208 S * 12/2006 Hwang et al. D18/50
- D545,892 S * 7/2007 Wang D18/50
- D562,886 S * 2/2008 Egami et al. D18/55
- 2002/0015021 A1 * 2/2002 Numata et al. 345/156
- 2007/0146352 A1 * 6/2007 Kim et al. 345/184

* cited by examiner

Primary Examiner—Cathy Anne MacCormac

(74) *Attorney, Agent, or Firm*—Oliff & Berridge, PLC

(57) **CLAIM**

The ornamental design for a printer, as shown and described.

DESCRIPTION

FIG. 1 is a perspective view of a printer;

FIG. 2 is a front view thereof;

FIG. 3 is a top view thereof;

FIG. 4 is a right-side view thereof;

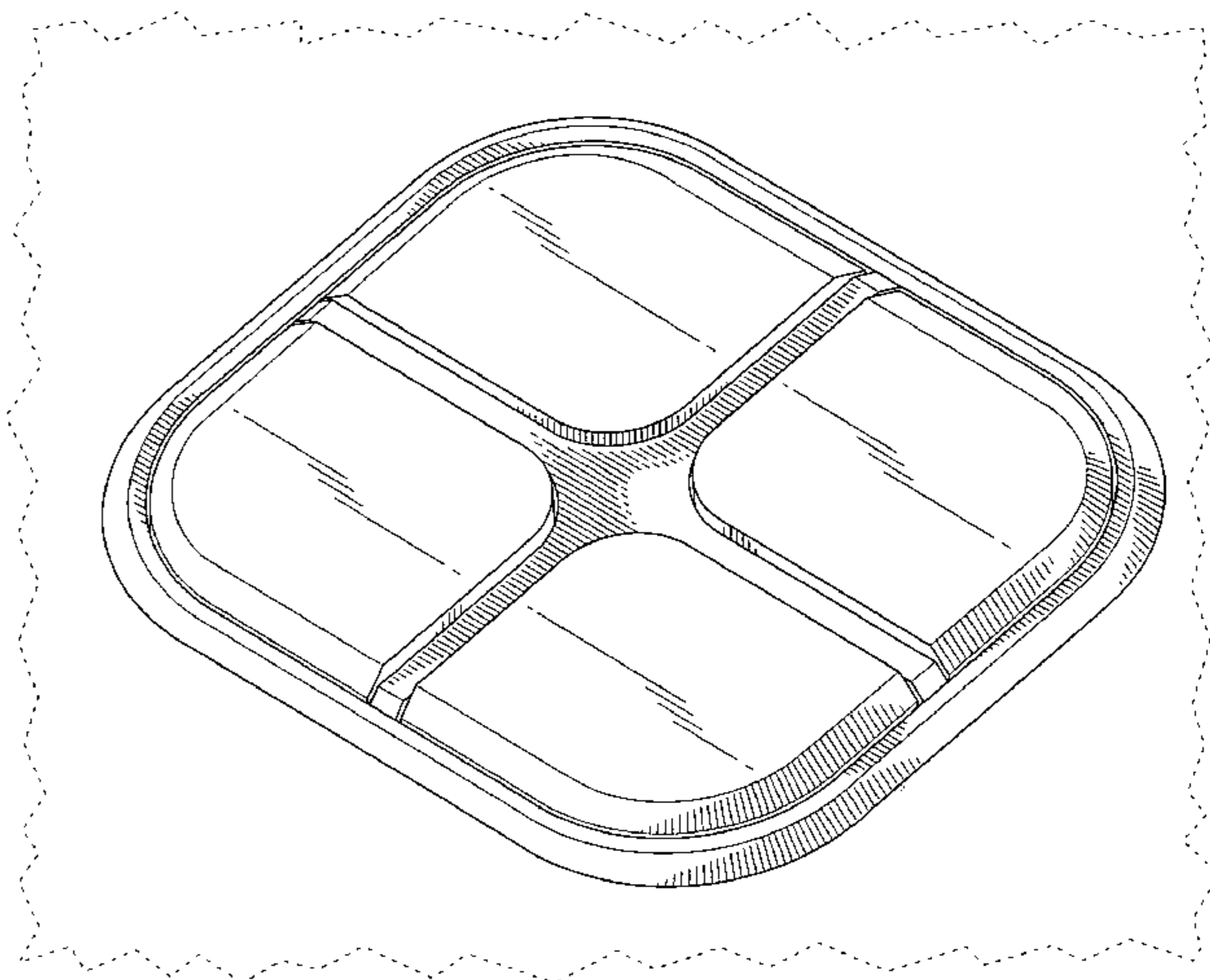
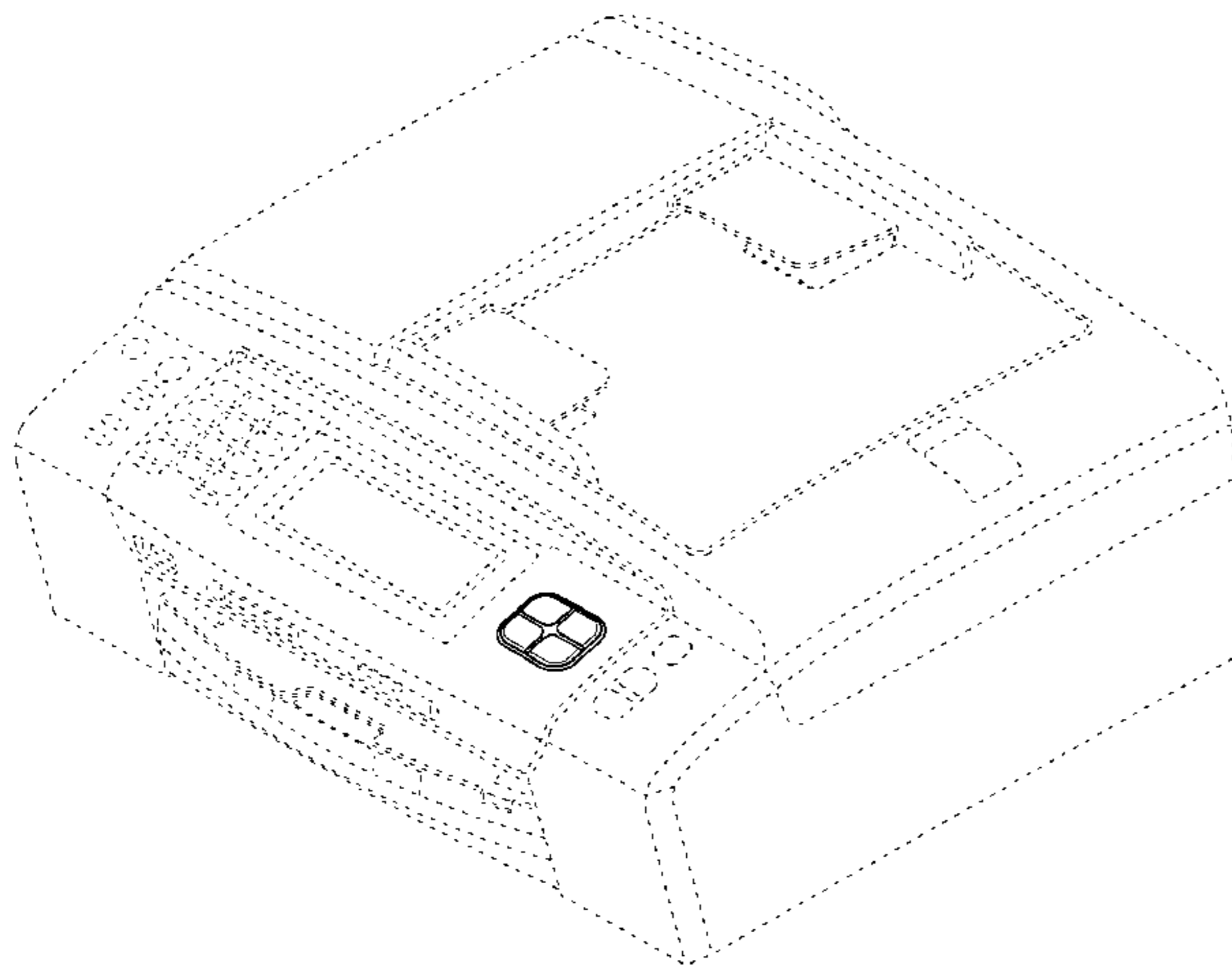
FIG. 5 is an enlarged perspective view thereof;

FIG. 6 is an enlarged front view thereof; and,

FIG. 7 is an enlarged right-side view thereof.

The broken lines depict environmental subject matter only and form no part of the claimed design.

1 Claim, 6 Drawing Sheets



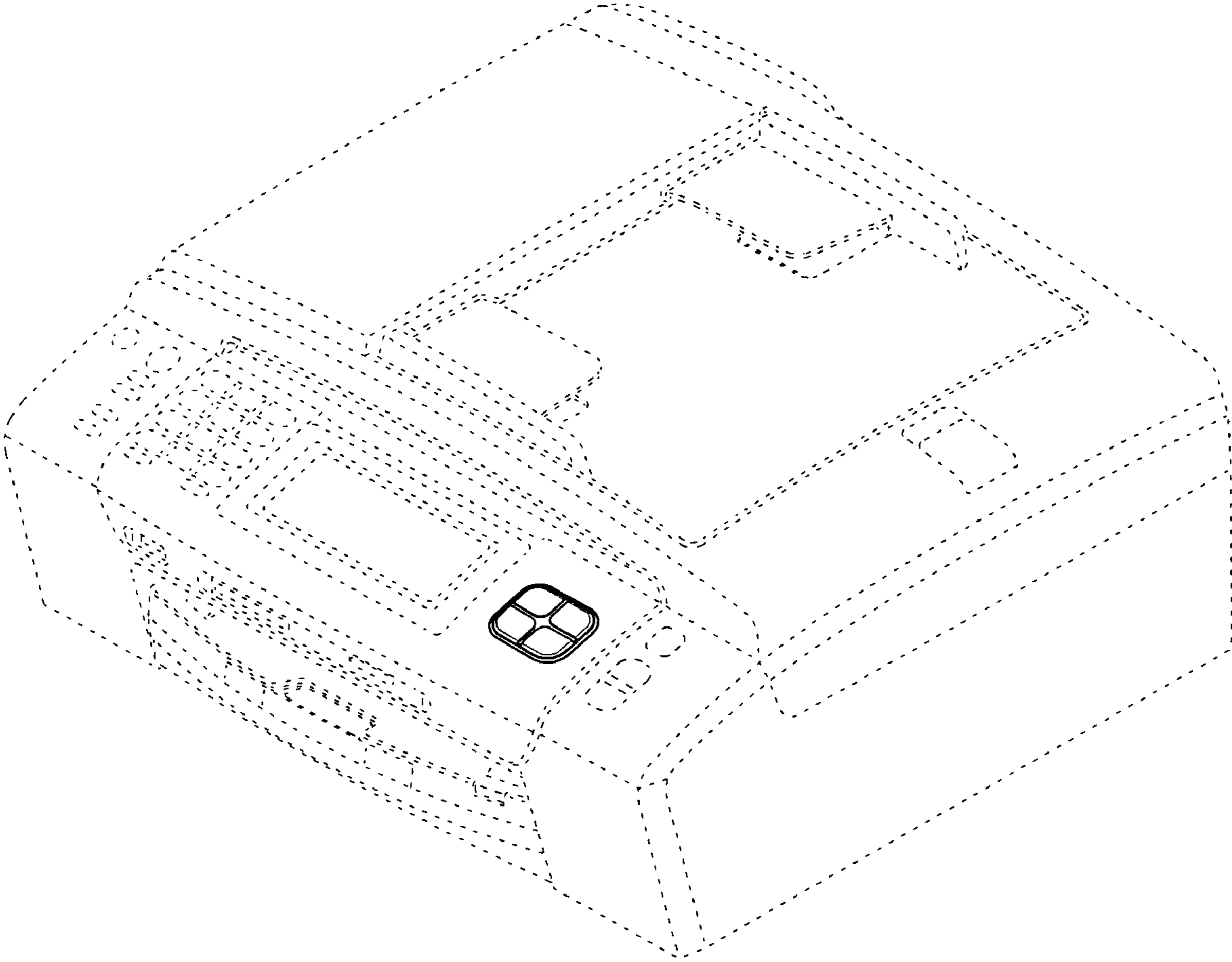


Fig. 1

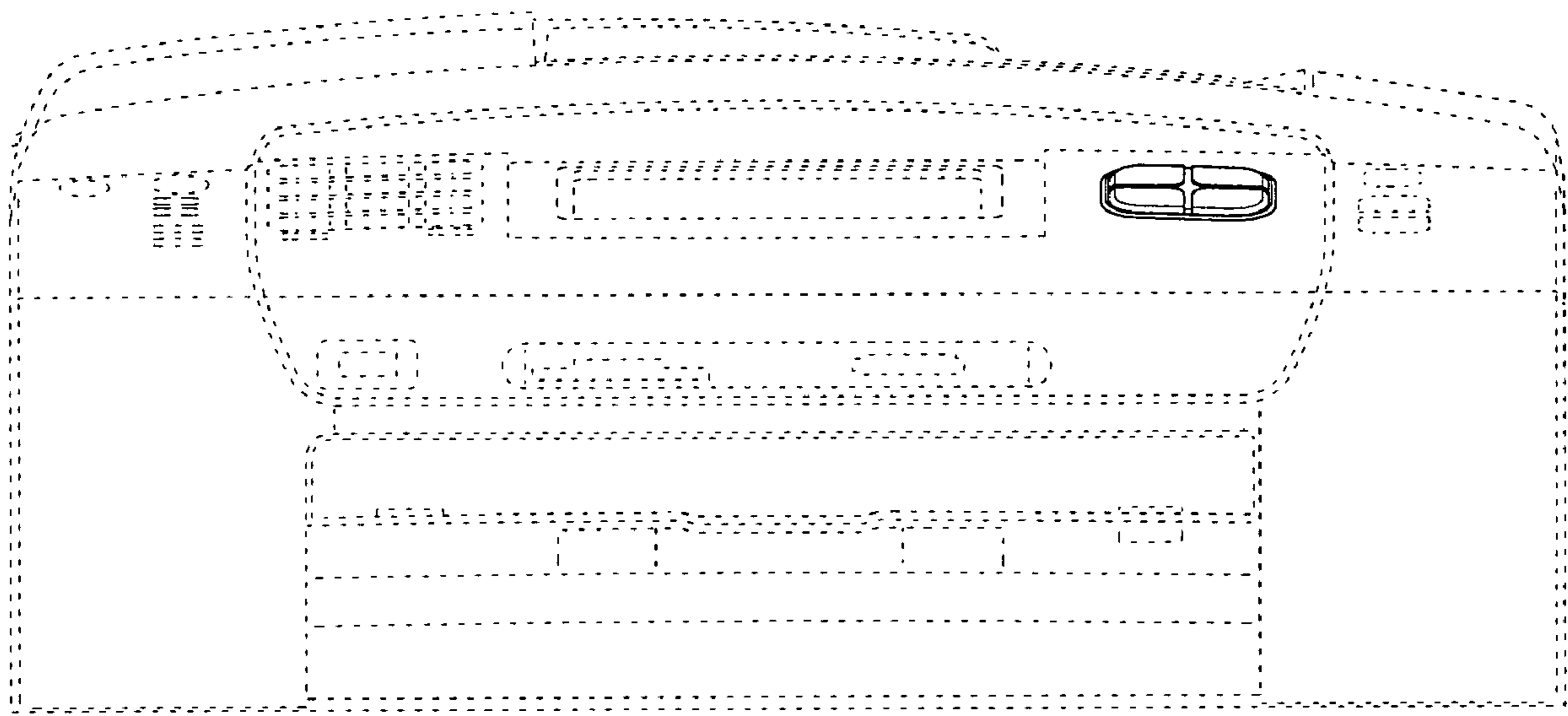


Fig. 2

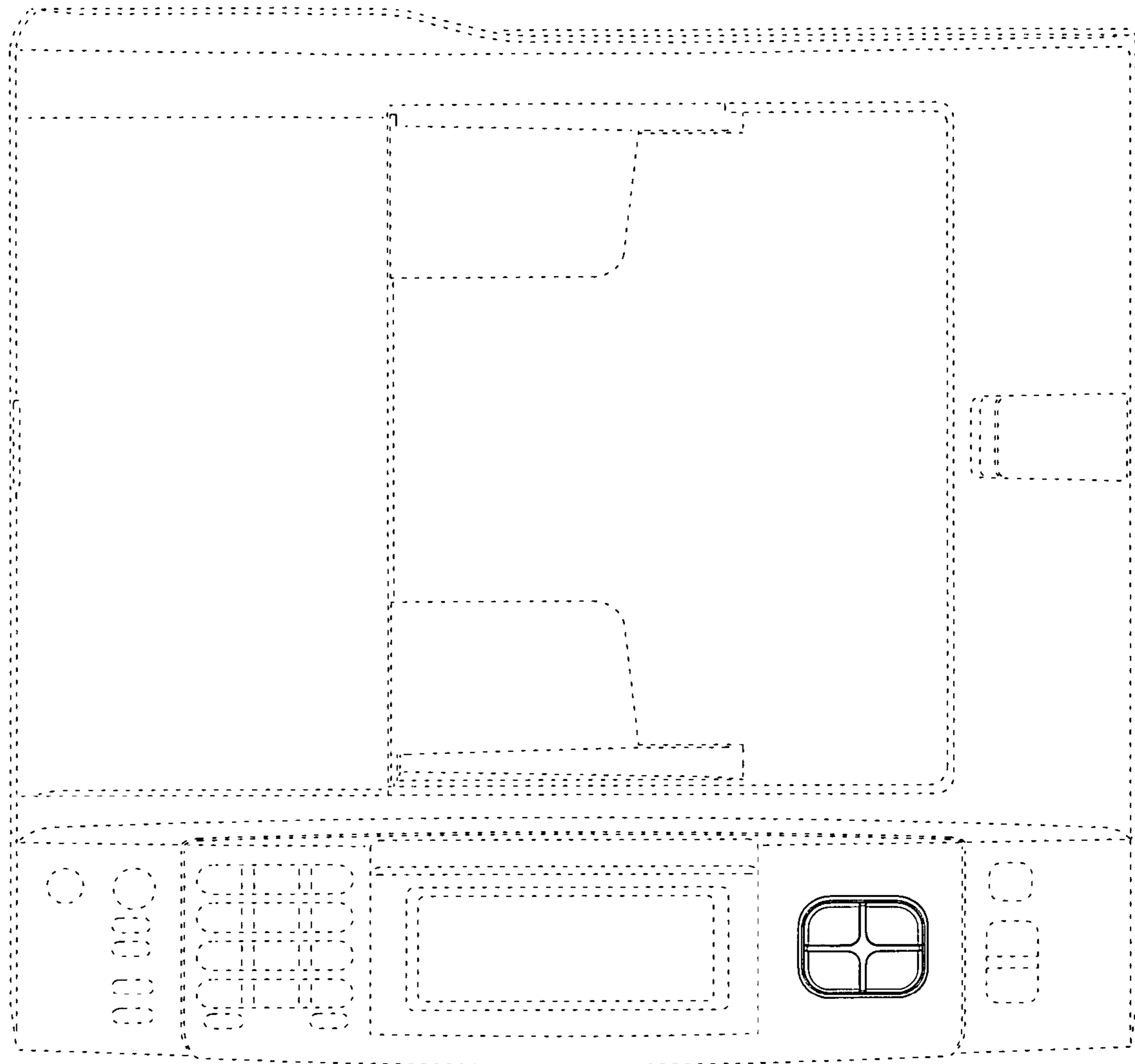


Fig. 3

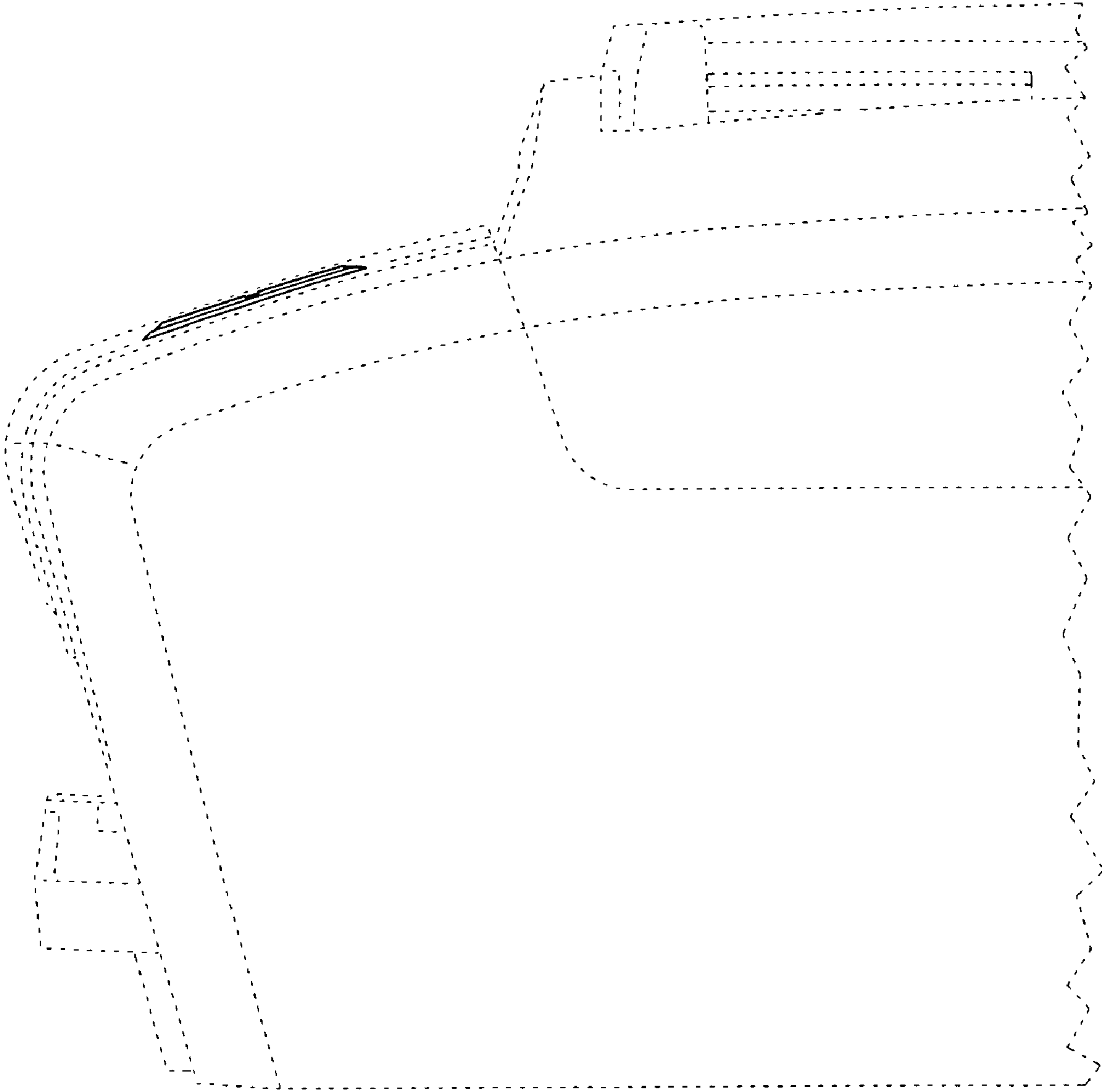


Fig. 4

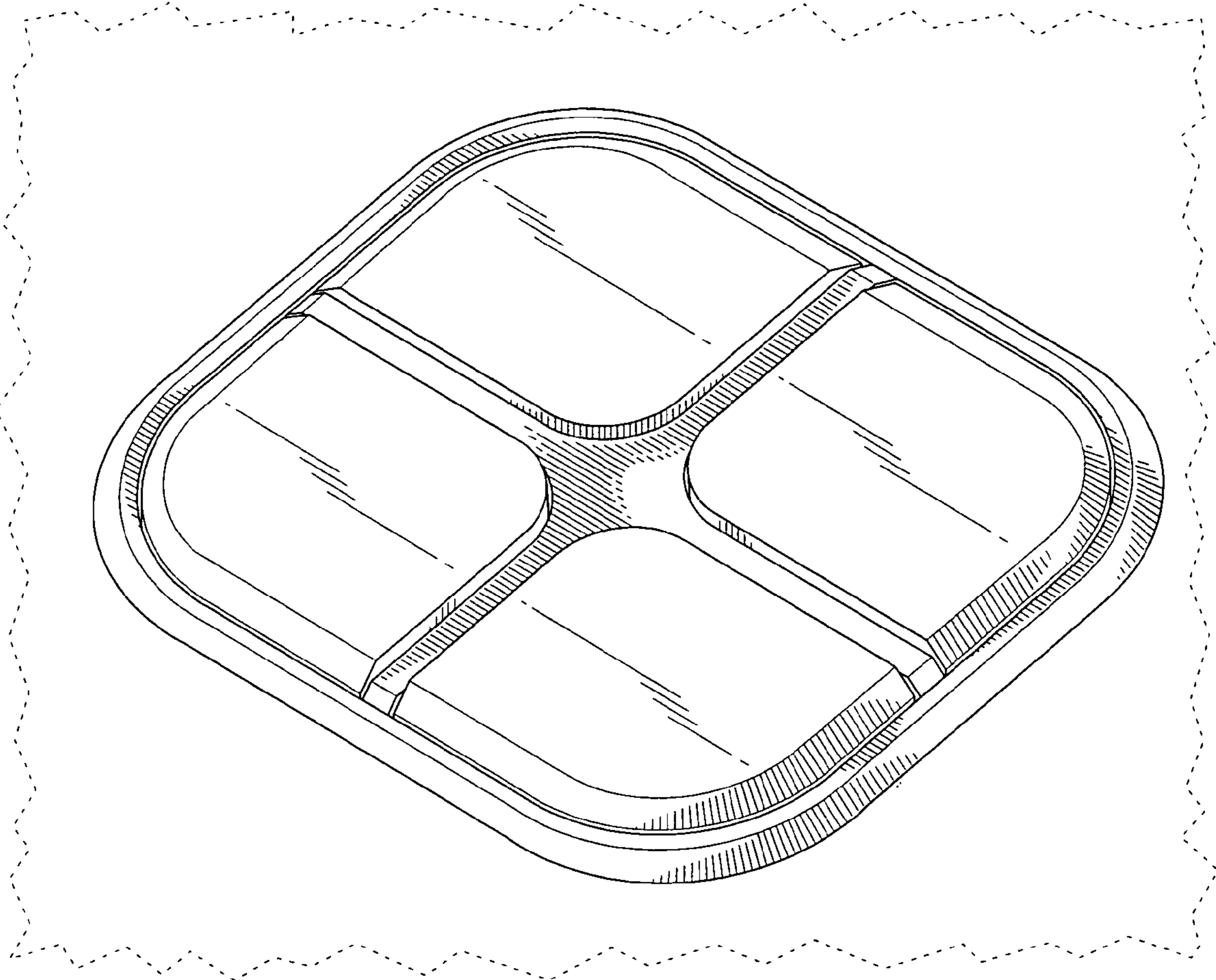


Fig. 5

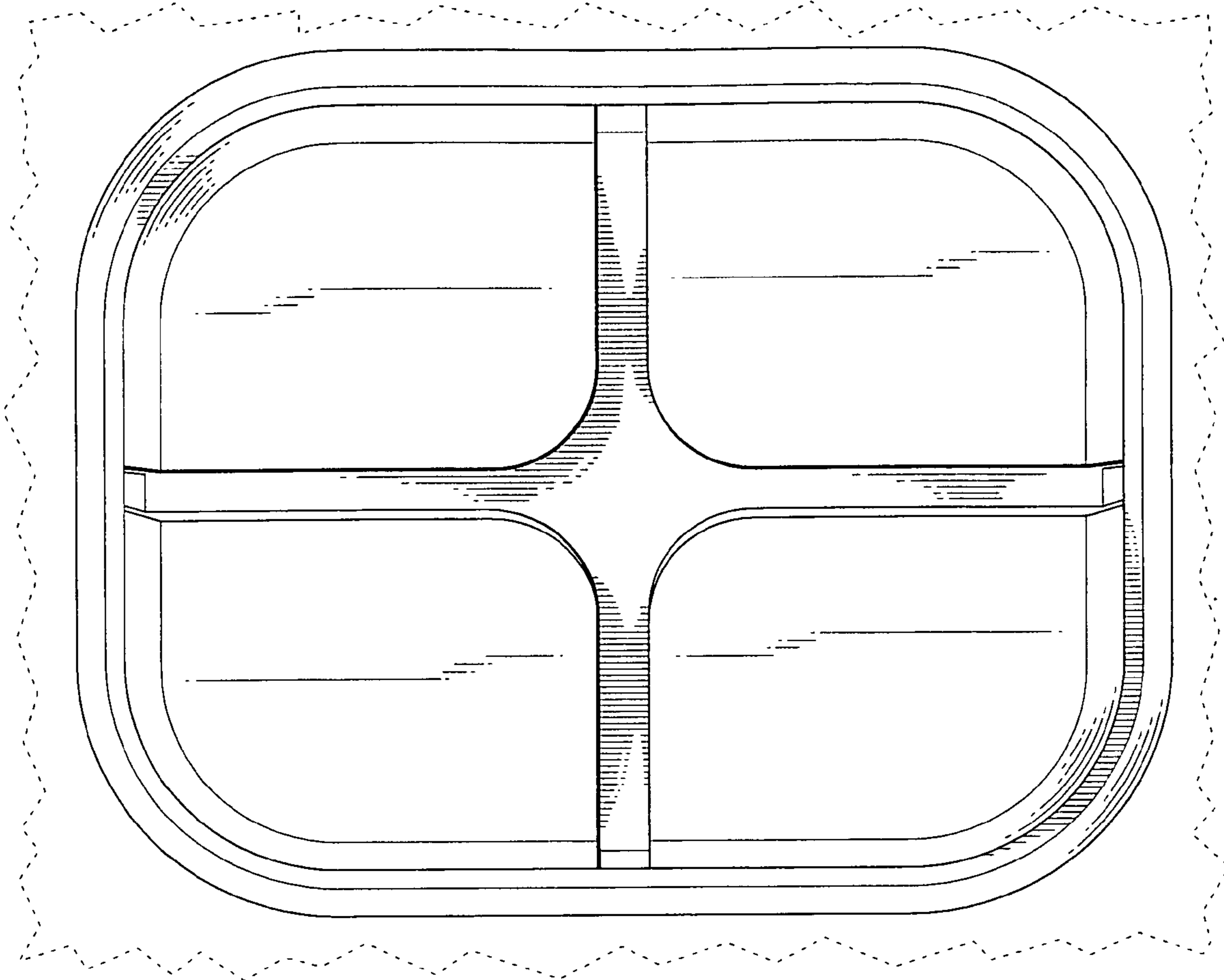


Fig. 6

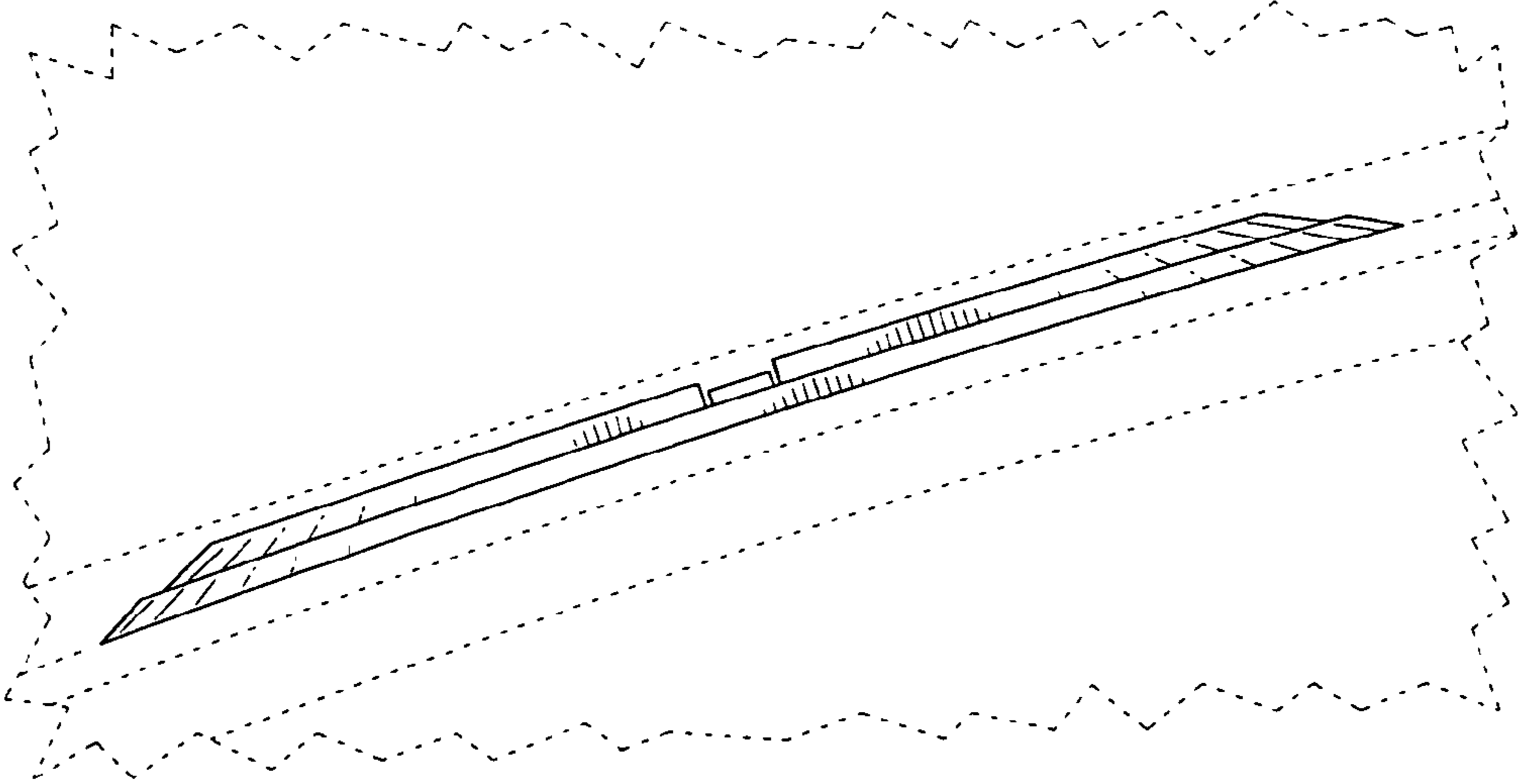


Fig. 7