



US00D607045S

(12) **United States Design Patent**
Kurenuma et al.

(10) **Patent No.:** **US D607,045 S**

(45) **Date of Patent:** **** *Dec. 29, 2009**

(54) **TONER CARTRIDGE**

(75) Inventors: **Takeroh Kurenuma**, Kanagawa (JP);
Nobuyuki Taguchi, Kanagawa (JP);
Masayuki Yamane, Kanagawa (JP);
Shigeru Horiguchi, Kanagawa (JP);
Masateru Kohno, Kanagawa (JP)

(73) Assignee: **Ricoh Company, Ltd.**, Tokyo (JP)

(**) Term: **14 Years**

(21) Appl. No.: **29/269,856**

(22) Filed: **Dec. 11, 2006**

(30) **Foreign Application Priority Data**

Jun. 13, 2006 (JP) 2006-015196

(51) **LOC (9) Cl.** **16-03**

(52) **U.S. Cl.** **D18/43**

(58) **Field of Classification Search** D8/310;
D13/182; D14/230, 462, 471, 474-477,
D14/481-484; D18/12, 36, 40, 43, 44, 56;
222/DIG. 1; 347/49, 214, 222; 399/24-27,
399/107-111; 400/194, 196, 205, 207, 242
See application file for complete search history.

(56) **References Cited**

U.S. PATENT DOCUMENTS

D110,624 S * 7/1938 Mekeel, Jr. D18/43
D327,732 S * 7/1992 Yost D8/310
D357,851 S * 5/1995 Off D8/310

D389,326 S * 1/1998 Moore D8/310
D400,916 S * 11/1998 Ui et al. D18/43
D403,348 S * 12/1998 Matsuoka et al. D18/43
D442,986 S * 5/2001 Tsuji et al. D18/43
D493,686 S * 8/2004 Fields D8/310
D500,076 S * 12/2004 Takuwa D18/43
7,088,930 B2 * 8/2006 Mimura 399/27
D531,662 S * 11/2006 Tsuda et al. D18/43

* cited by examiner

Primary Examiner—Caron Veynar

Assistant Examiner—Garth Rademaker

(74) *Attorney, Agent, or Firm*—Dickstein Shapiro LLP

(57) **CLAIM**

The ornamental design for a toner cartridge, as shown and described.

DESCRIPTION

FIG. 1 is a front elevation view of a toner cartridge according to the present invention;

FIG. 2 is a rear elevation view thereof;

FIG. 3 is a top plan view thereof;

FIG. 4 is a bottom plan view thereof;

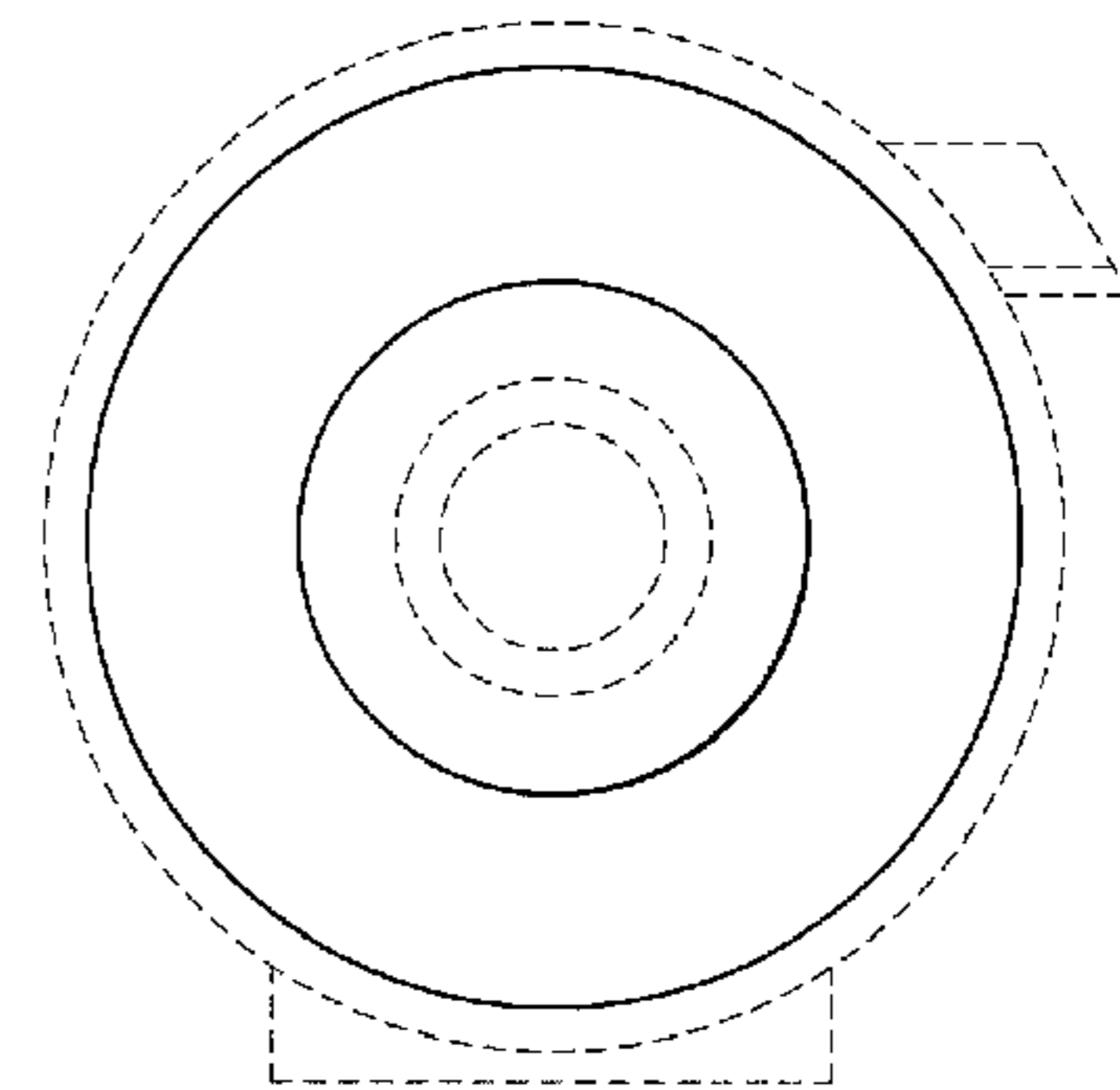
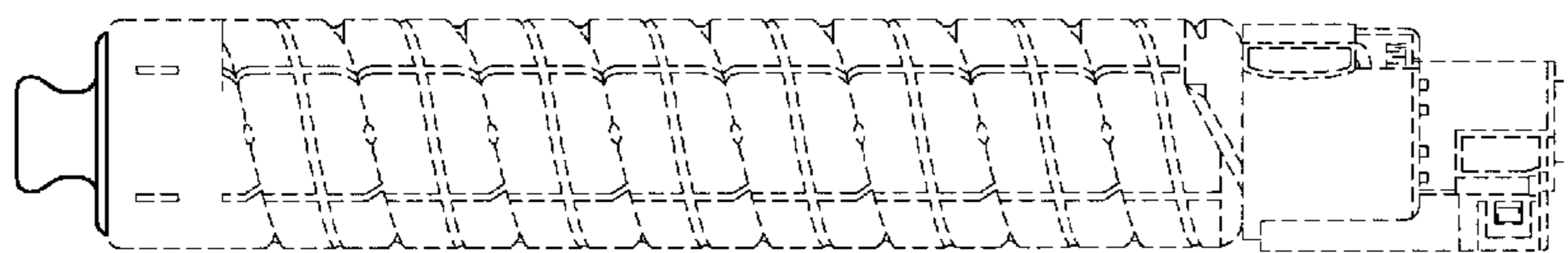
FIG. 5 is a right side elevation view thereof;

FIG. 6 is a left side elevation view thereof; and,

FIG. 7 is a top, front and right side perspective view thereof.

The broken lines depict environmental subject matter only and form no part of the claimed design.

1 Claim, 3 Drawing Sheets



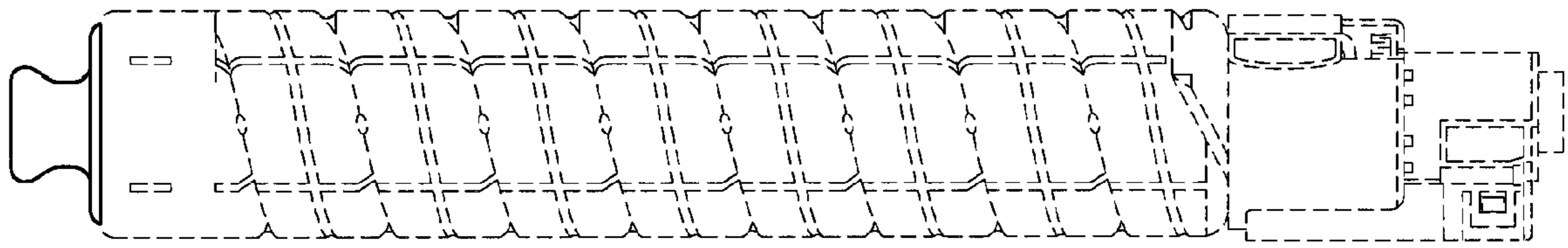


FIG. 1

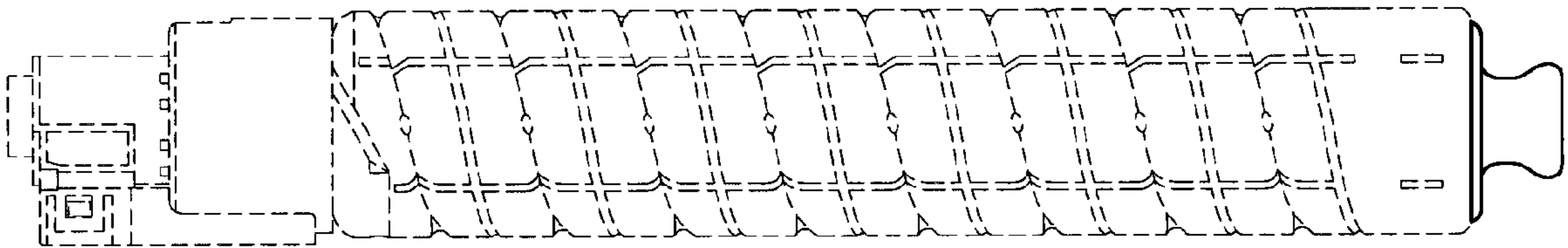


FIG. 2

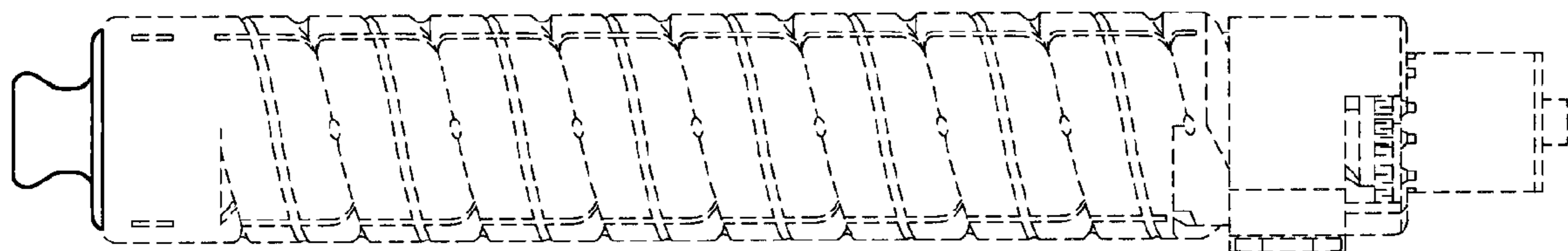


FIG. 3

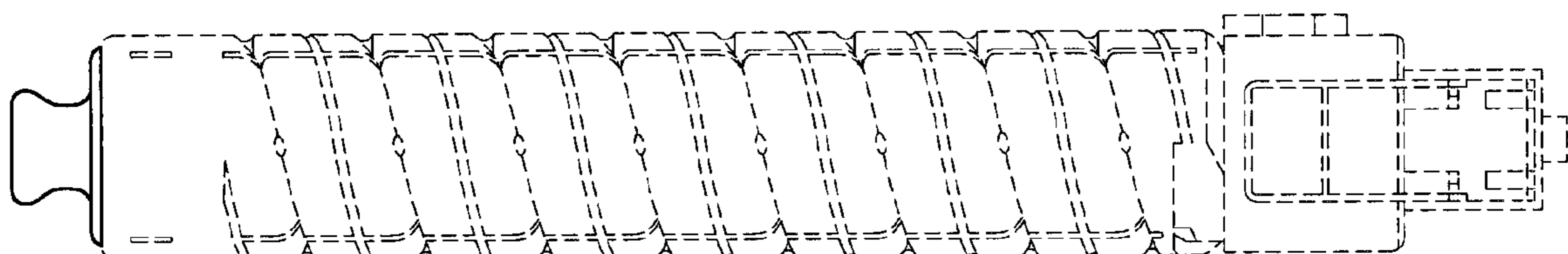


FIG. 4

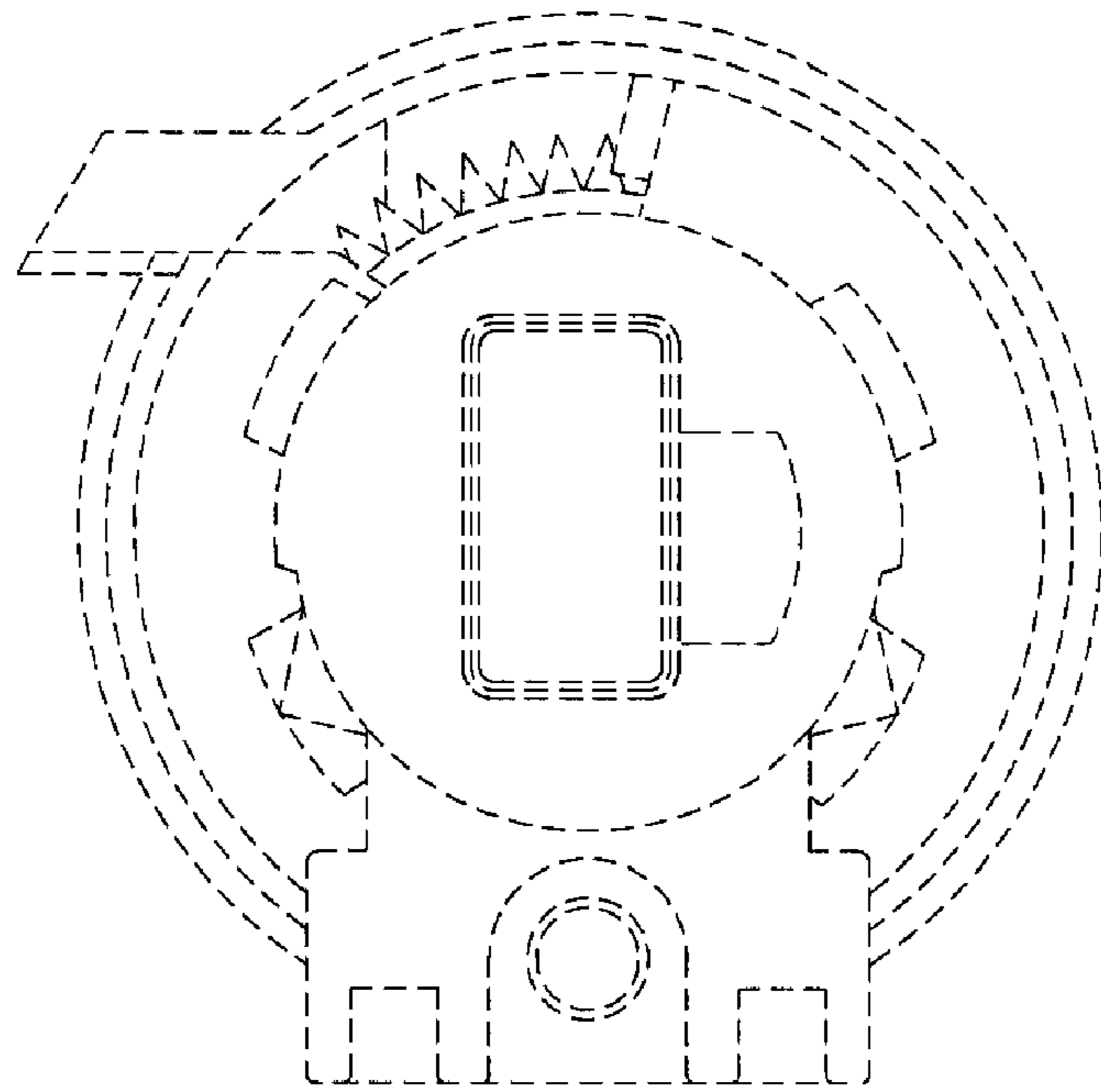


FIG. 5

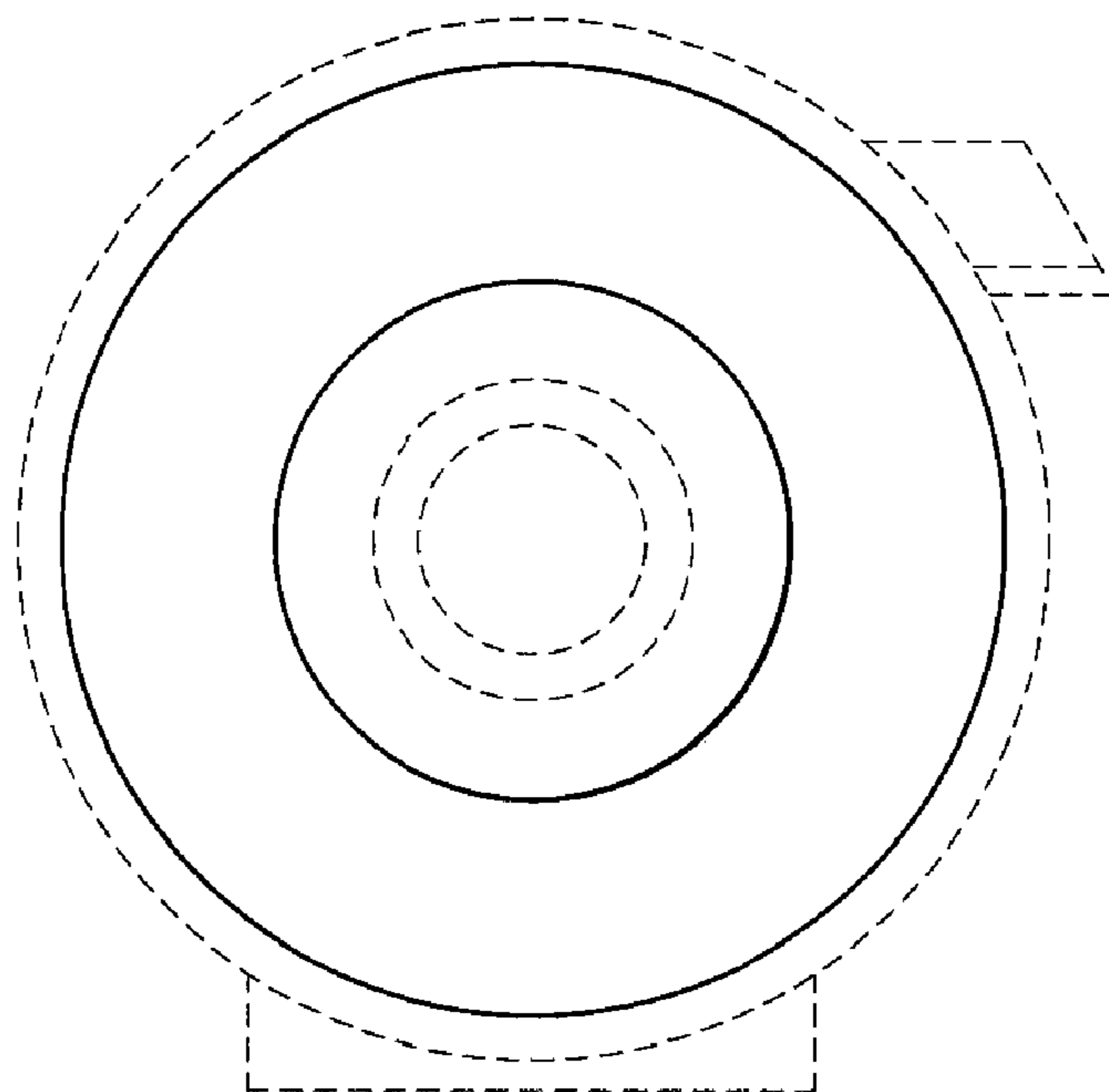


FIG. 6

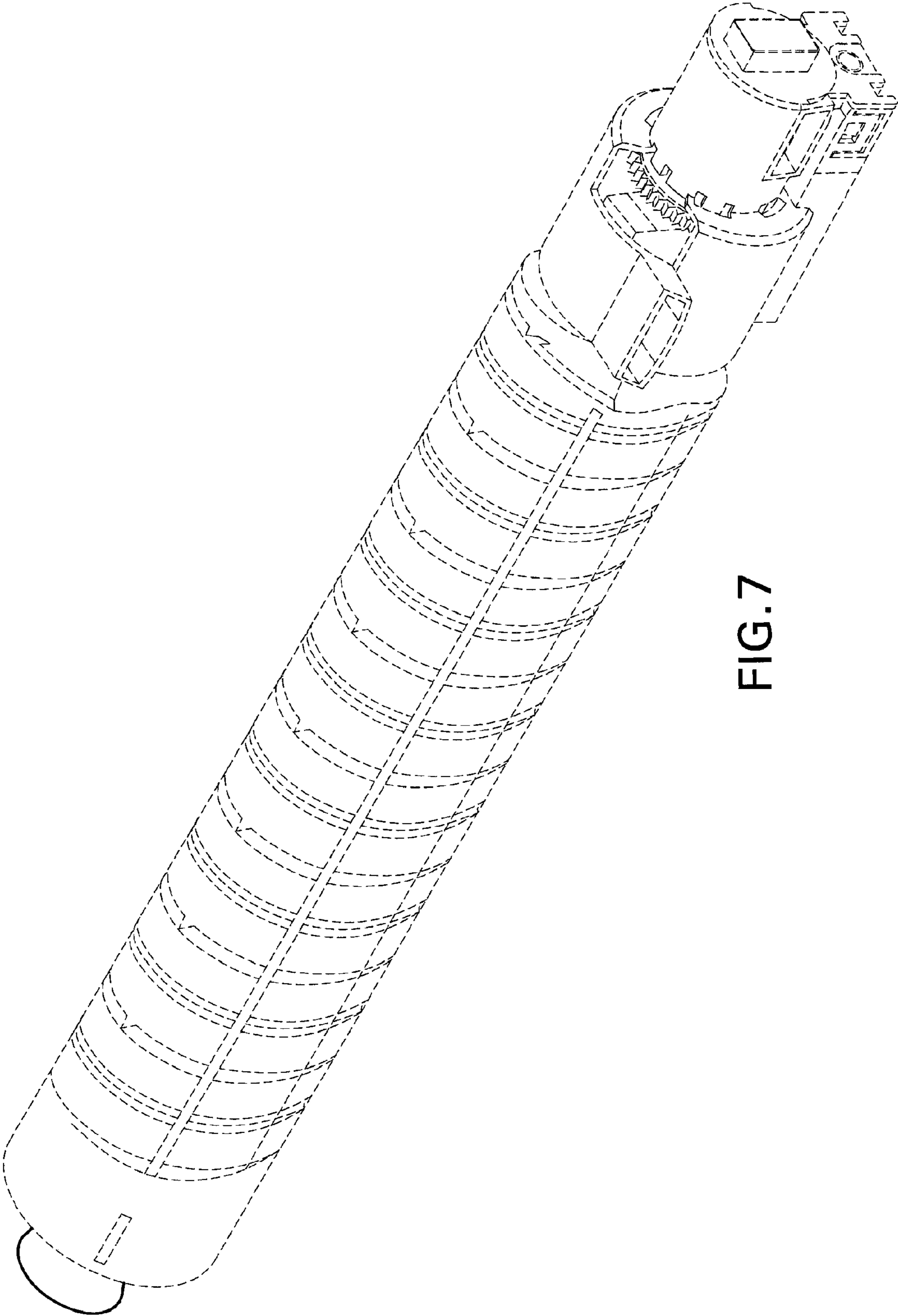


FIG. 7