



US00D607042S

(12) **United States Design Patent**
Davidson et al.

(10) **Patent No.:** **US D607,042 S**

(45) **Date of Patent:** **** Dec. 29, 2009**

(54) **COMB BINDER**

(76) Inventors: **Angus Davidson**, 29 Larksfield, Englefield Green, Surrey (GB); **Christopher Mark Parratt**, Drayton St. Leonard (GB); **Jennifer Parratt**, legal representative, Spring Cottage, 2 High Street, Drayton St. Leonard, OXON (GB) OX10 7BA; **Terry Gander**, 12 Orion, Bracknell, Berks (GB) RG1 27YX; **James Henderson**, 13 Regina Close, Lower Wick, Worcester (GB) WR5 2PQ

(**) Term: **14 Years**

(21) Appl. No.: **29/276,970**

(22) Filed: **Feb. 9, 2007**

(30) **Foreign Application Priority Data**

Aug. 11, 2006 (EM) 000578802

(51) **LOC (9) Cl.** **18-04**

(52) **U.S. Cl.** **D18/34.2**

(58) **Field of Classification Search** D18/34.1, D18/34.2, 36-41, 46-19, 53, 35.1, 51; D14/302, D14/305; 399/1-7, 16, 75, 81, 107, 130, 399/151, 361, 365, 367, 381-383, 388
See application file for complete search history.

(56) **References Cited**

U.S. PATENT DOCUMENTS

D287,511 S * 12/1986 Scharer D18/34.2

D320,040 S * 9/1991 Miles et al. D18/34.2
D369,825 S * 5/1996 Yatabe et al. D18/50
D437,344 S * 2/2001 Reuter D18/34.2
D482,058 S * 11/2003 Knight D18/34.2
D482,385 S * 11/2003 Knight D18/34.2
D507,808 S * 7/2005 Smith et al. D18/34.2

* cited by examiner

Primary Examiner—Charles A Rademaker

Assistant Examiner—Charles D Hanson

(74) *Attorney, Agent, or Firm*—Wood, Phillips, Katz, Clark & Mortimer

(57) **CLAIM**

The ornamental design for a comb binder, as shown and described.

DESCRIPTION

FIG. 1 is a front elevation view of a comb binder showing our new design.

FIG. 2 is a top view thereof.

FIG. 3 is a right side elevation view thereof.

FIG. 4 is a left side view thereof.

FIG. 5 is a front perspective view thereof.

FIG. 6 is a right rear perspective view thereof; and,

FIG. 7 is a left rear perspective view thereof.

The bottom of the comb binder, not shown, is not claimed.

The broken lines shown in the figure drawings are included for the purpose of illustrating environment and form no part of the claimed design.

1 Claim, 4 Drawing Sheets

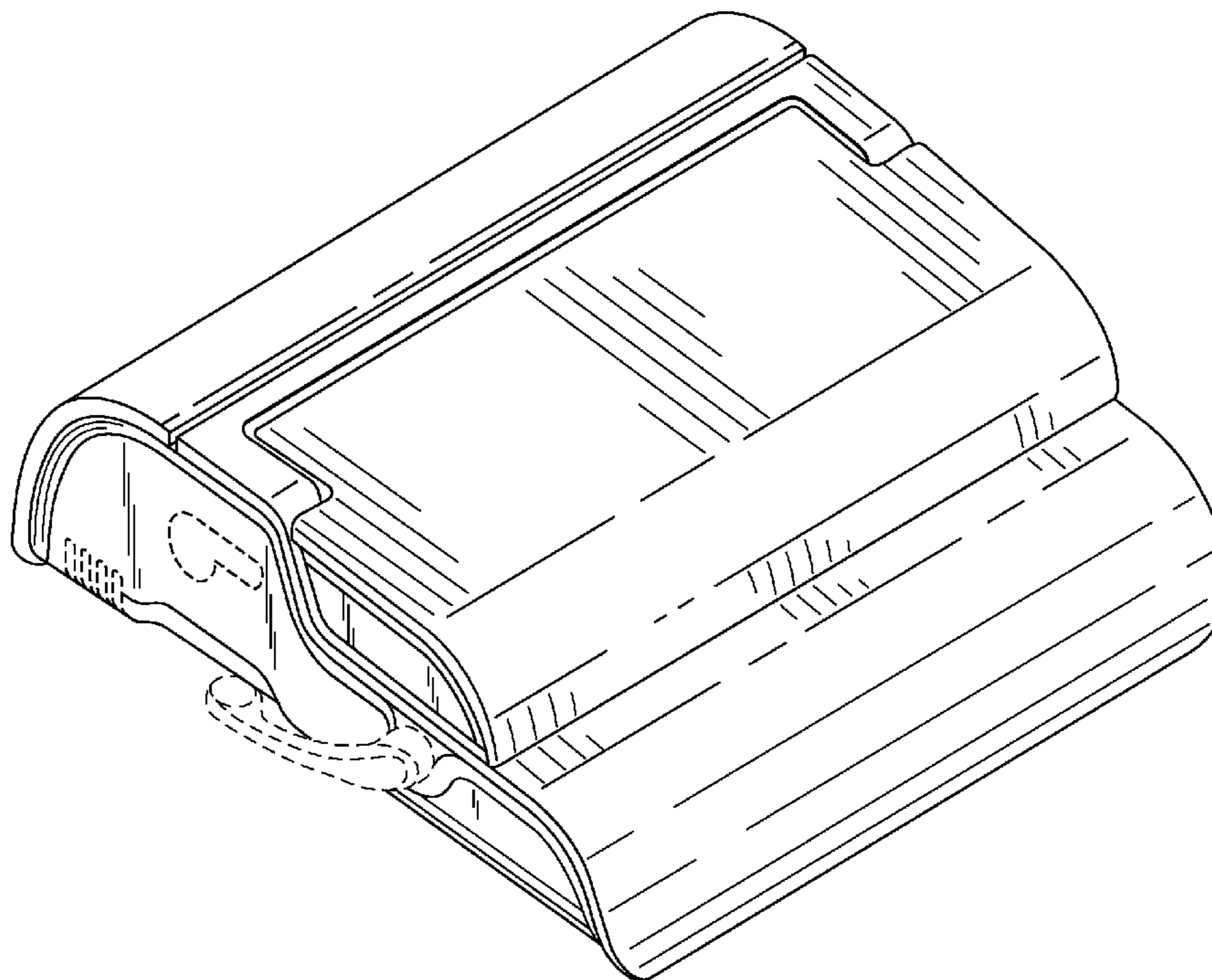


Fig. 1

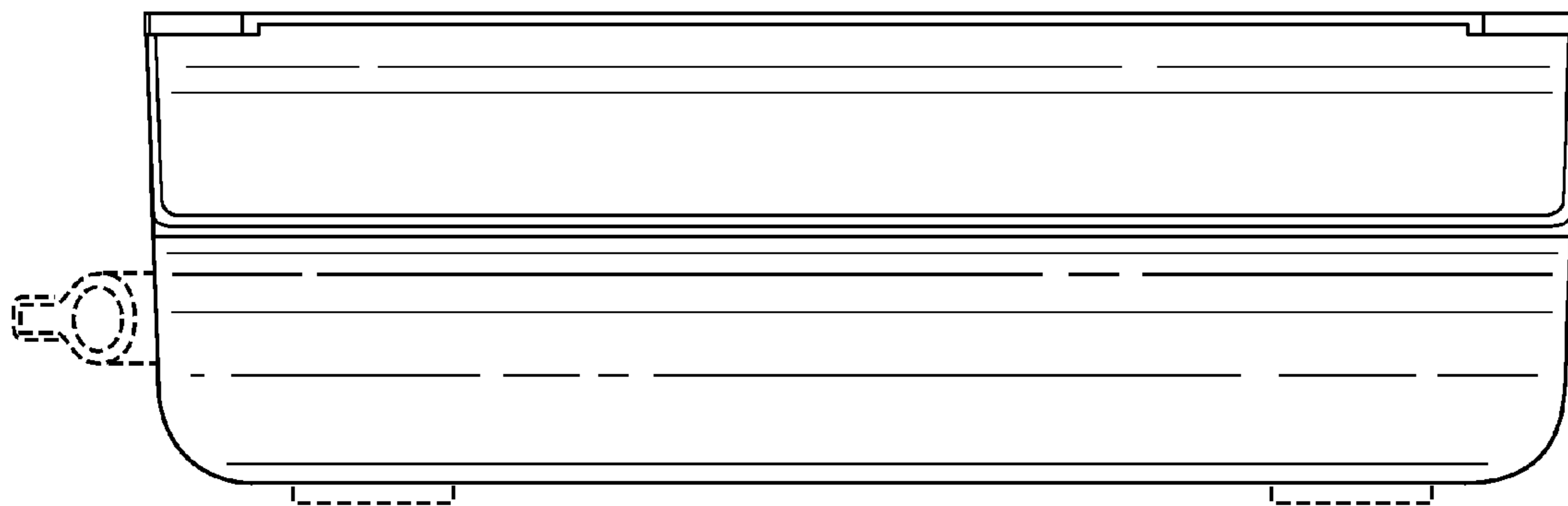


Fig. 2

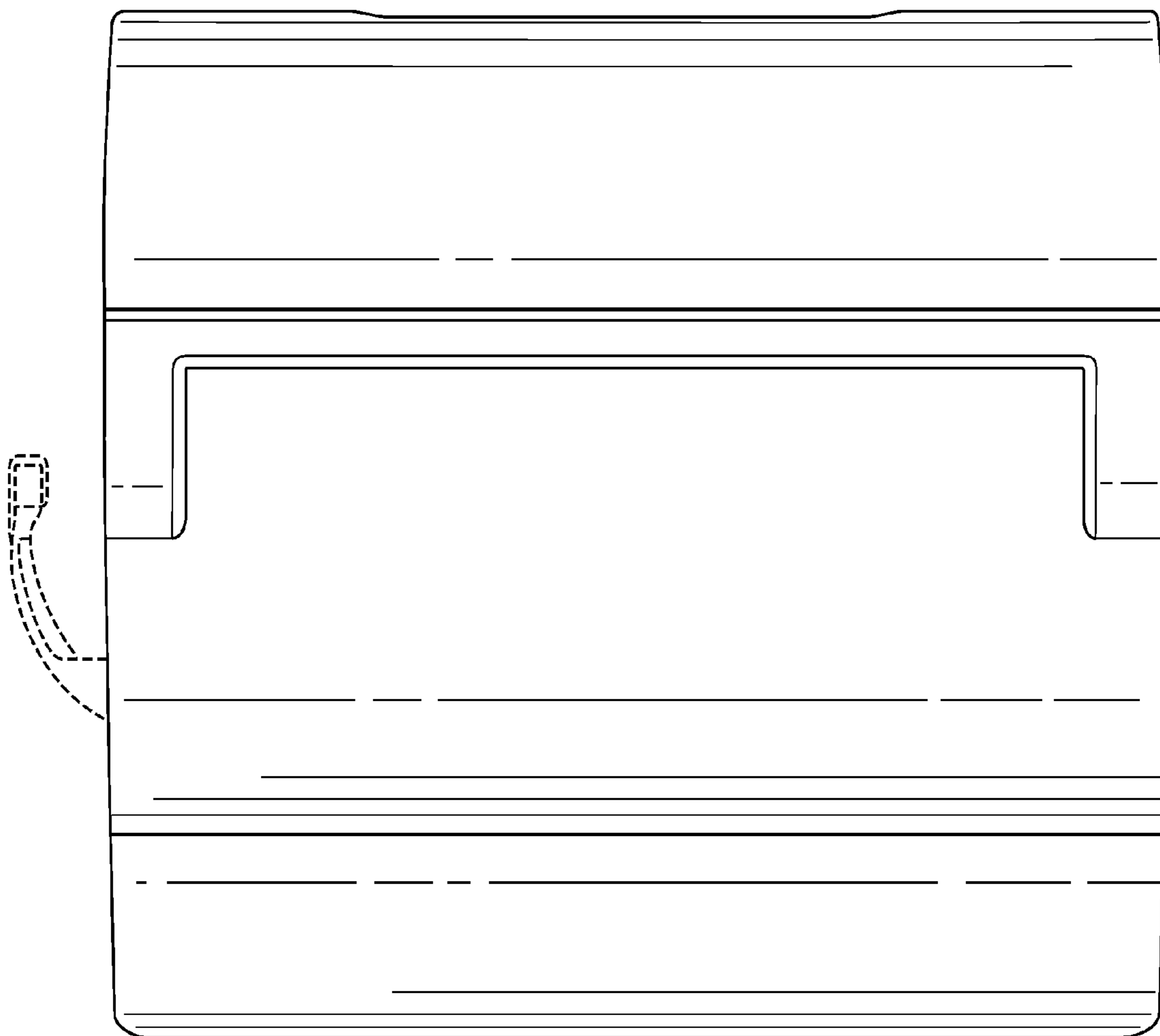


Fig. 3

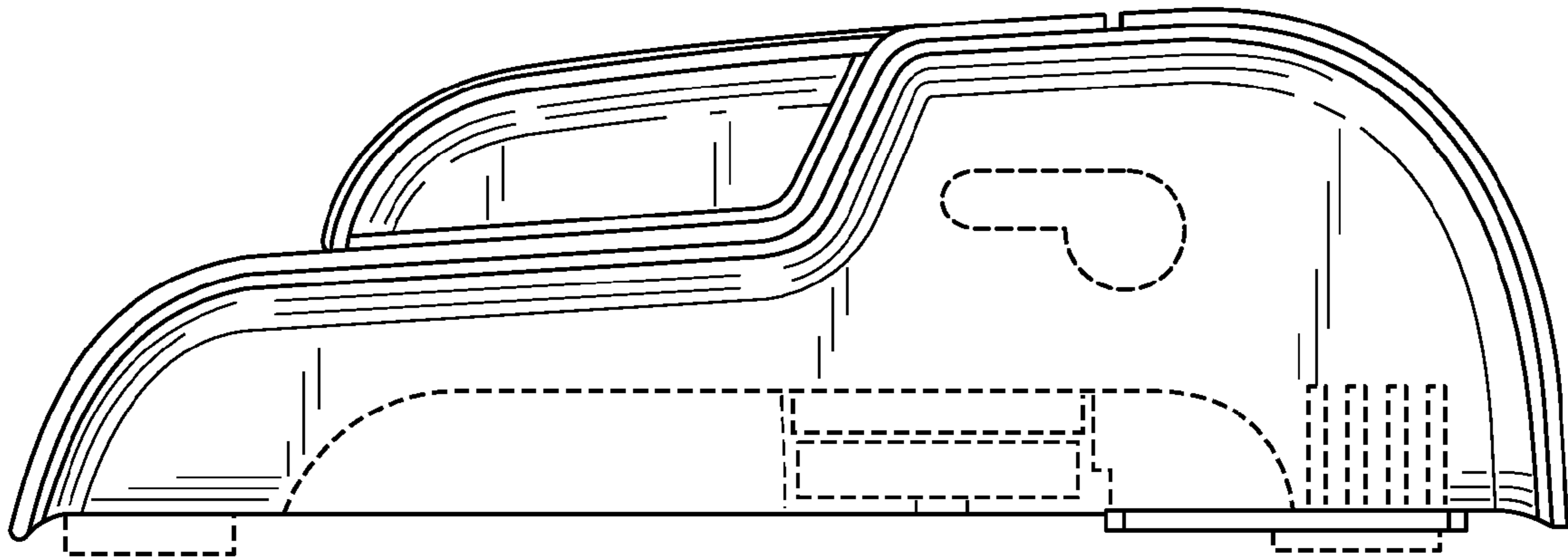


Fig. 4

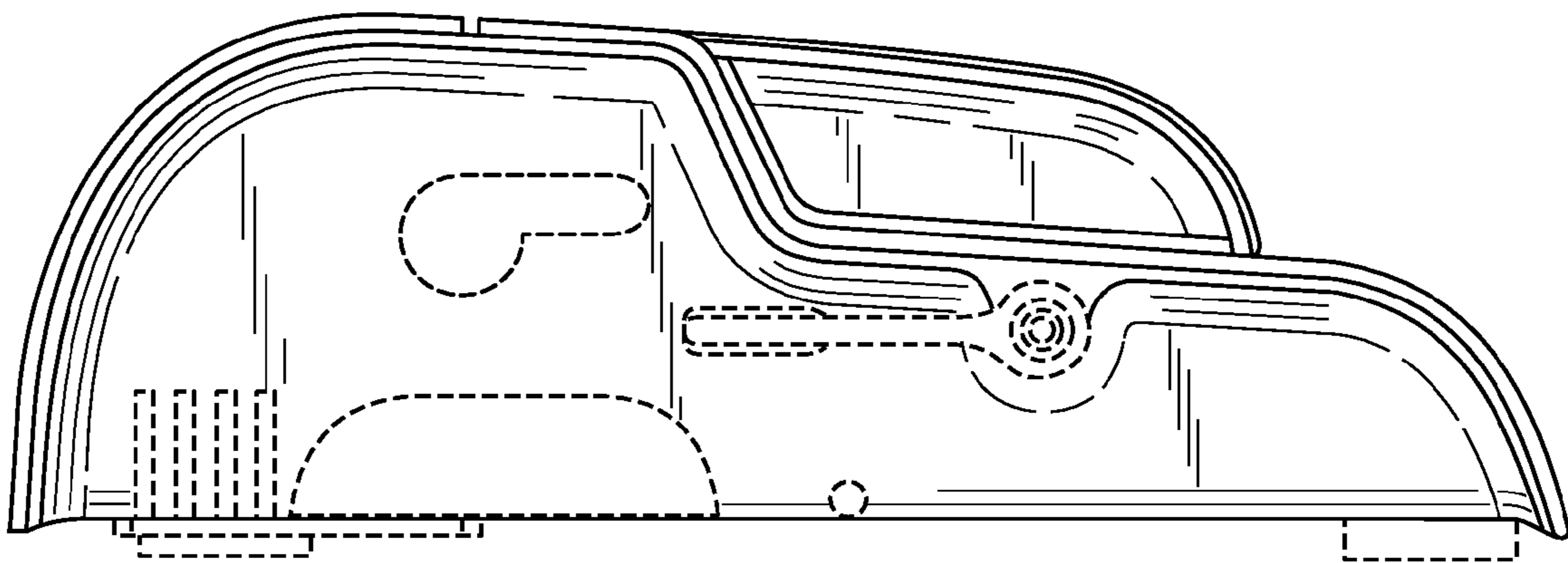


Fig. 5

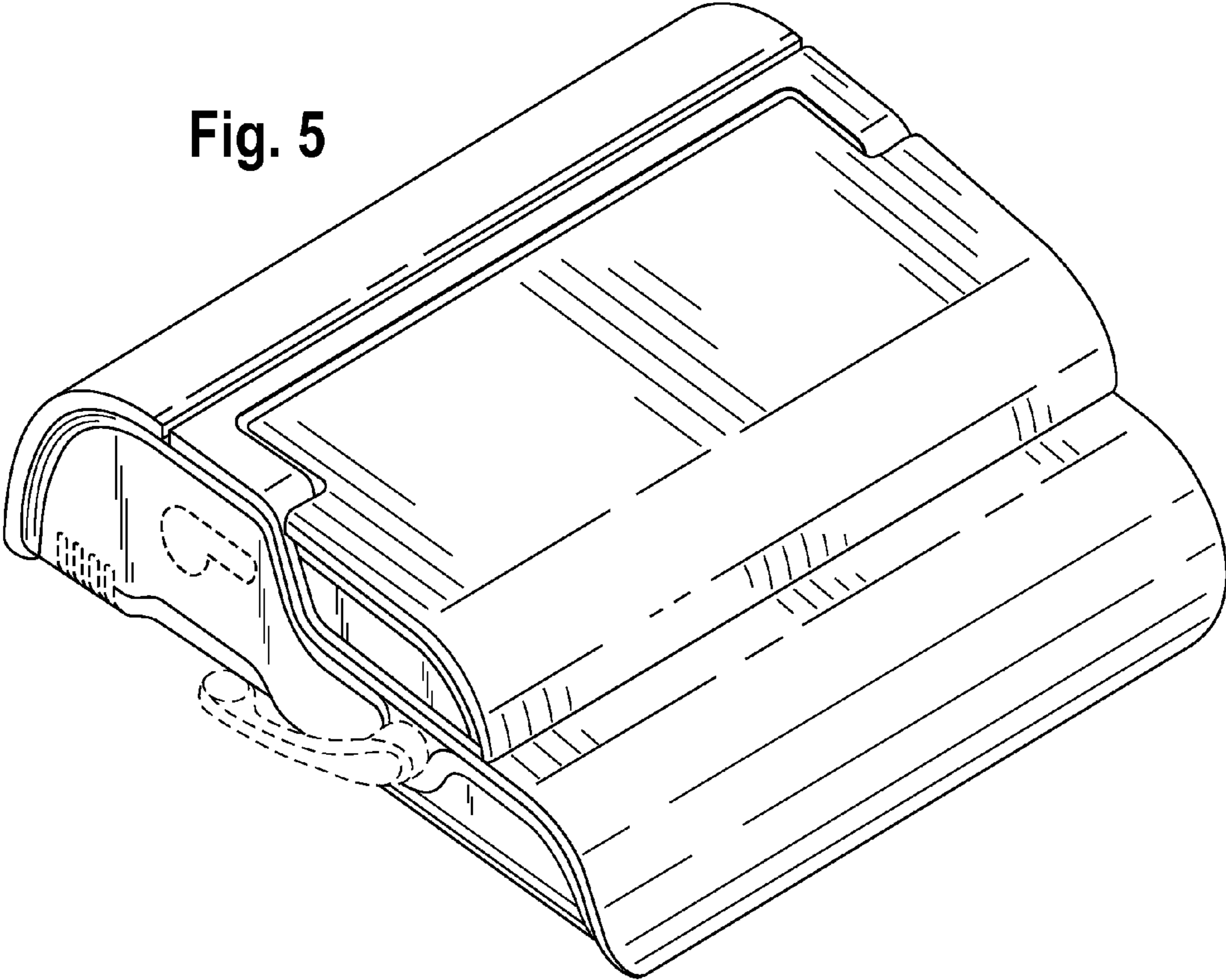


Fig. 6

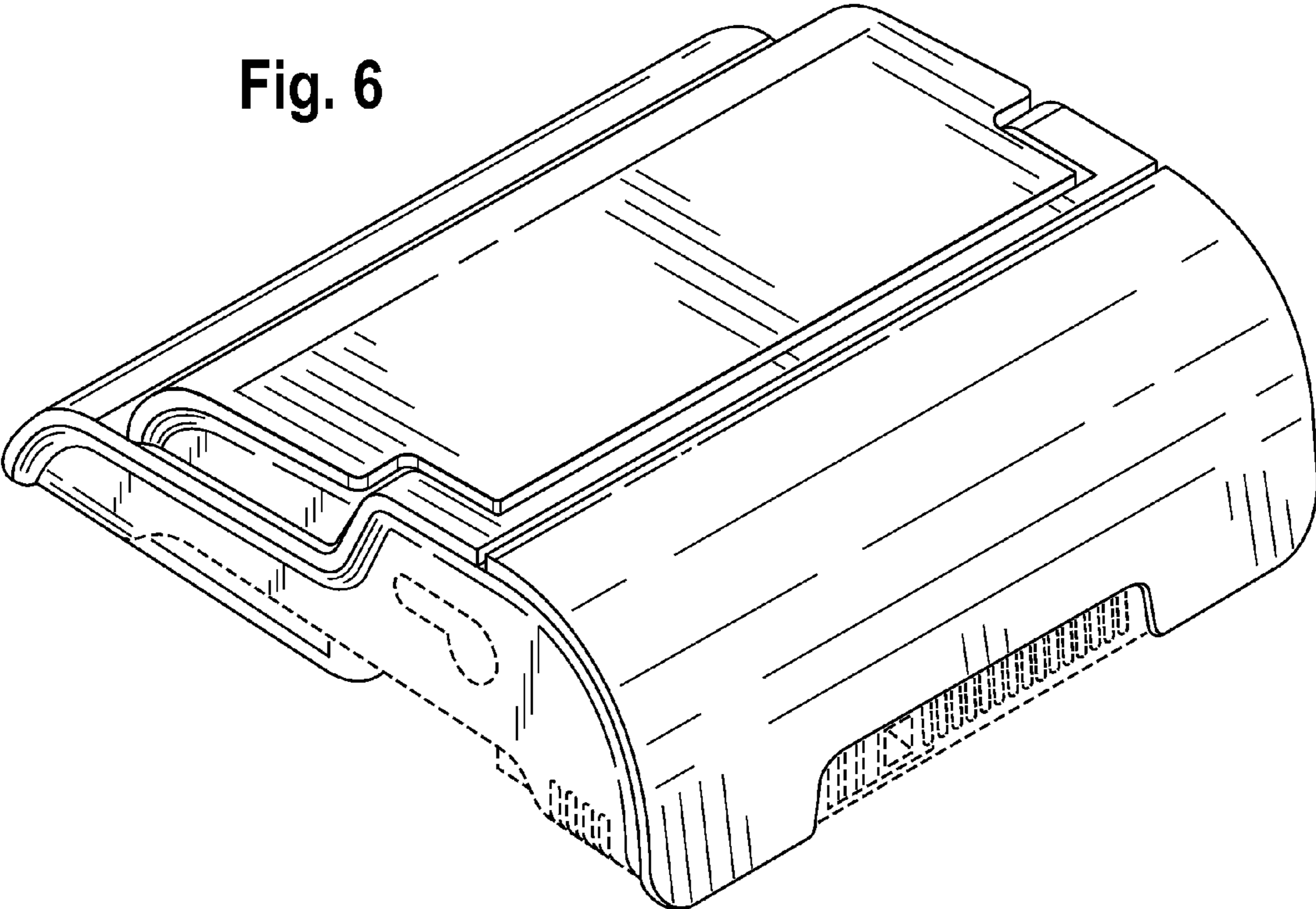


Fig. 7

