



US00D607038S

(12) **United States Design Patent**  
**Carlesso**

(10) **Patent No.:** **US D607,038 S**

(45) **Date of Patent:** **\*\* Dec. 29, 2009**

(54) **SUPPORT HEAD FOR VIDEO OR PHOTOGRAPHIC APPARATUSES**

7,389,964 B2 \* 6/2008 Ye ..... 348/373  
2007/0152117 A1 \* 7/2007 Byrd ..... 248/187.1

\* cited by examiner

(75) Inventor: **Abramo Carlesso**, Romano D'ezzolino (IT)

*Primary Examiner*—Adir Aronovich

(73) Assignee: **GITZO S.A.**, Rungis (FR)

(74) *Attorney, Agent, or Firm*—Castellano PLLC; Kristina Castellani

(\*\*) Term: **14 Years**

(57) **CLAIM**

(21) Appl. No.: **29/305,686**

The ornamental design for a support head for video or photographic apparatuses, as shown and described.

(22) Filed: **Mar. 26, 2008**

(30) **Foreign Application Priority Data**

**DESCRIPTION**

Nov. 8, 2007 (EM) ..... 000822796

FIG. 1 is a top and right side perspective view of a support head for video or photographic apparatuses showing my present design;

(51) **LOC (9) Cl.** ..... **16-05**

FIG. 2 is a top perspective view thereof;

(52) **U.S. Cl.** ..... **D16/245**

FIG. 3 is a front elevational view thereof;

(58) **Field of Classification Search** ..... D16/237,  
D16/242, 244, 245; 248/177.1, 187.1; 352/243;  
396/419, 421, 428

FIG. 4 is a right side elevational view thereof;

See application file for complete search history.

FIG. 5 is a left side elevational view thereof;

(56) **References Cited**

FIG. 6 is a rear elevational view thereof;

**U.S. PATENT DOCUMENTS**

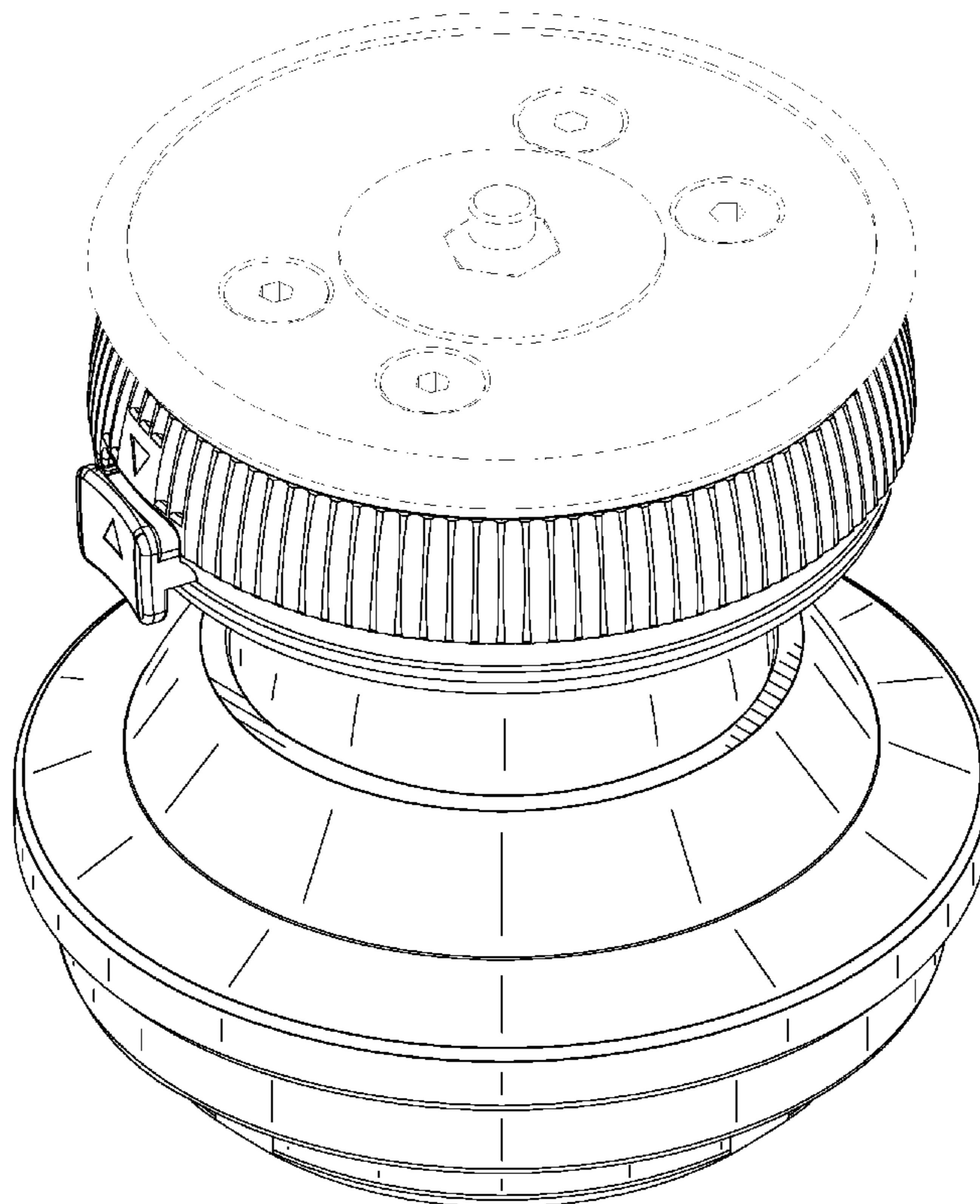
FIG. 7 is a top plan view thereof; and,

FIG. 8 is a bottom plan view thereof.

3,184,196 A \* 5/1965 Dent ..... 248/187.1  
D382,288 S \* 8/1997 Usui ..... D16/245  
6,260,971 B1 \* 7/2001 Cardellini ..... 248/187.1  
6,955,868 B2 \* 10/2005 Choi et al. .... 396/428  
7,387,453 B2 \* 6/2008 Arbuckle ..... 396/419

The portions of the article in broken lines are shown for illustrative purposes only and form no part of the claimed design.

**1 Claim, 8 Drawing Sheets**



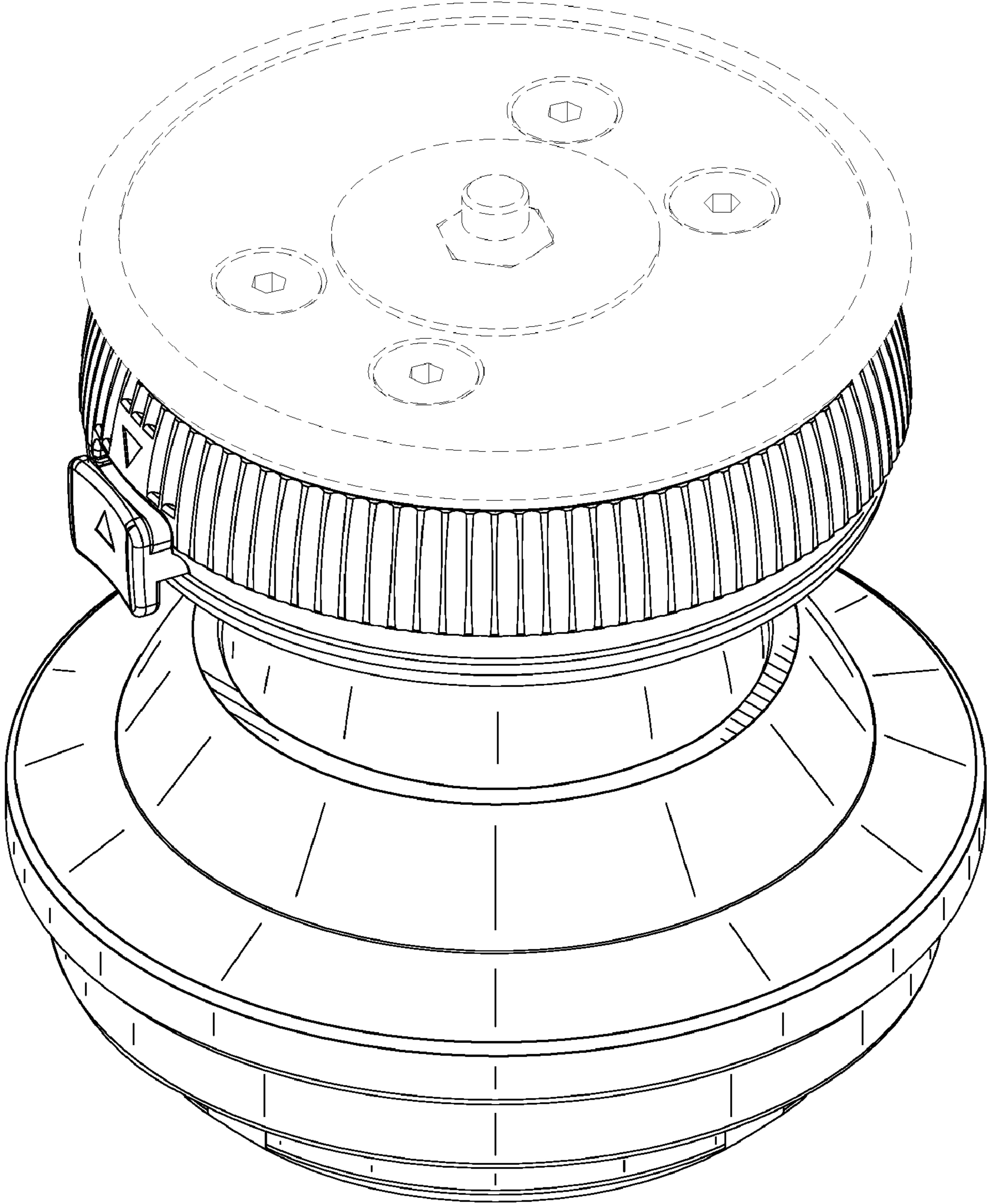


FIG. 1

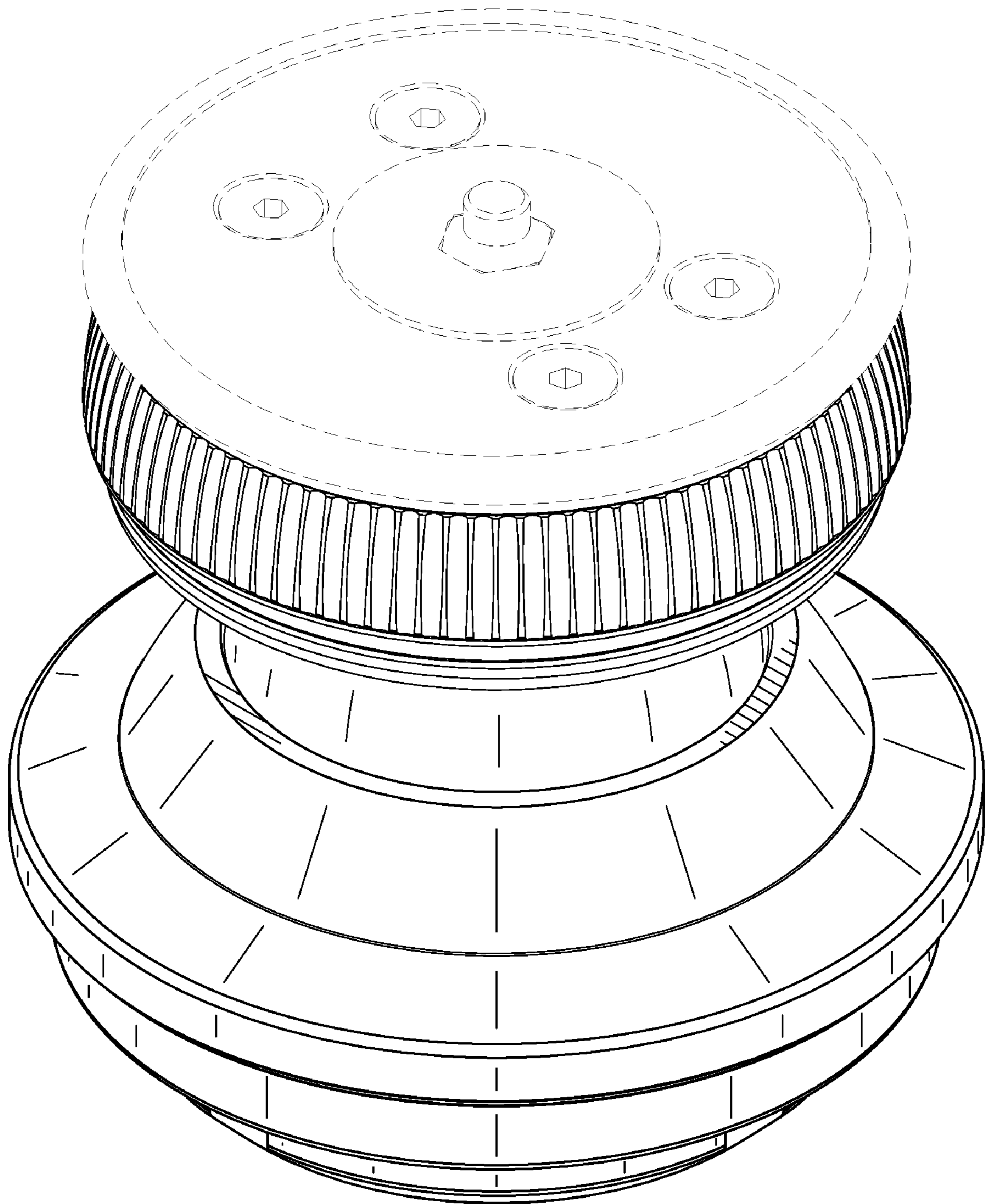


FIG. 2

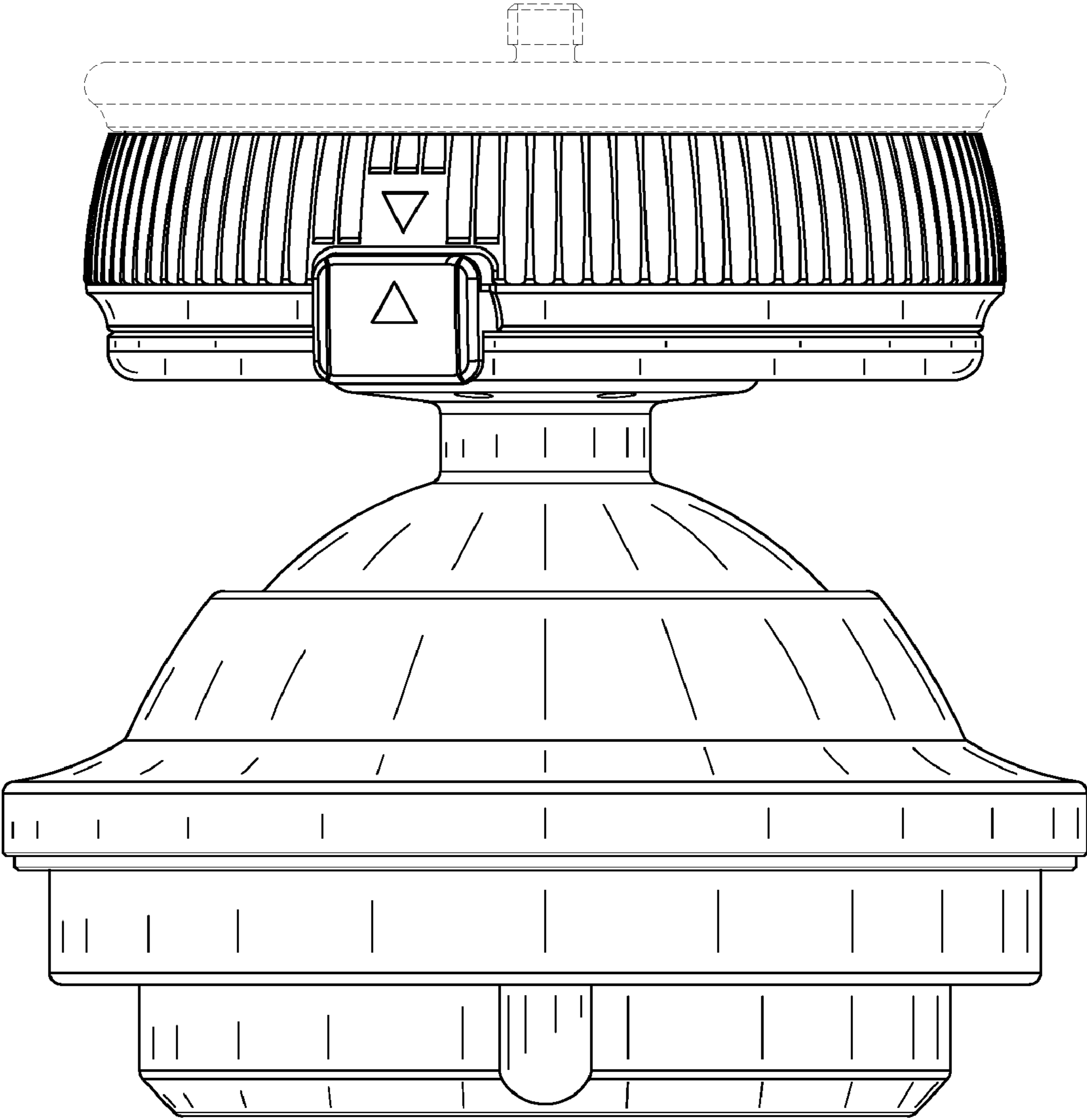


FIG. 3

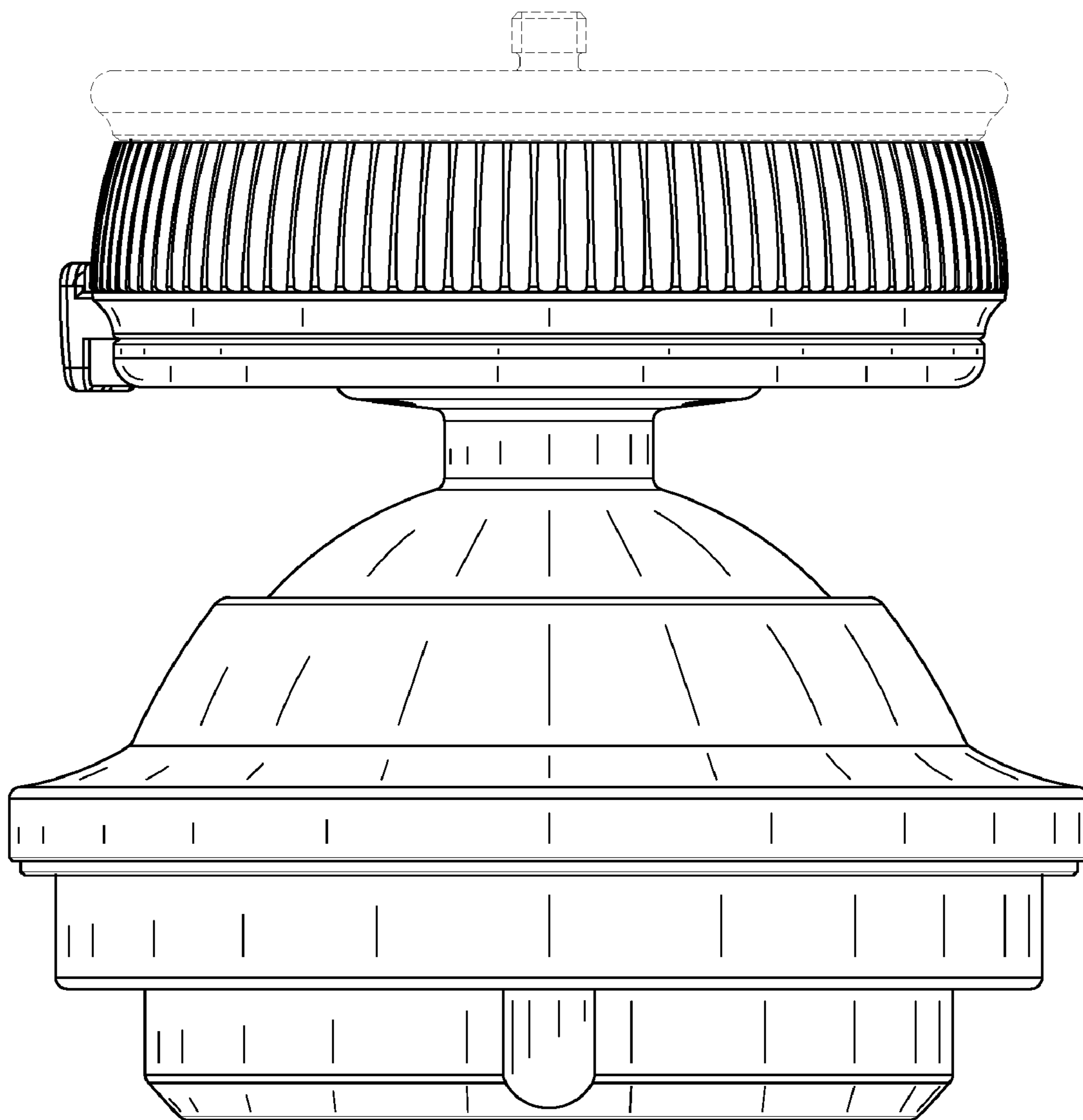


FIG. 4

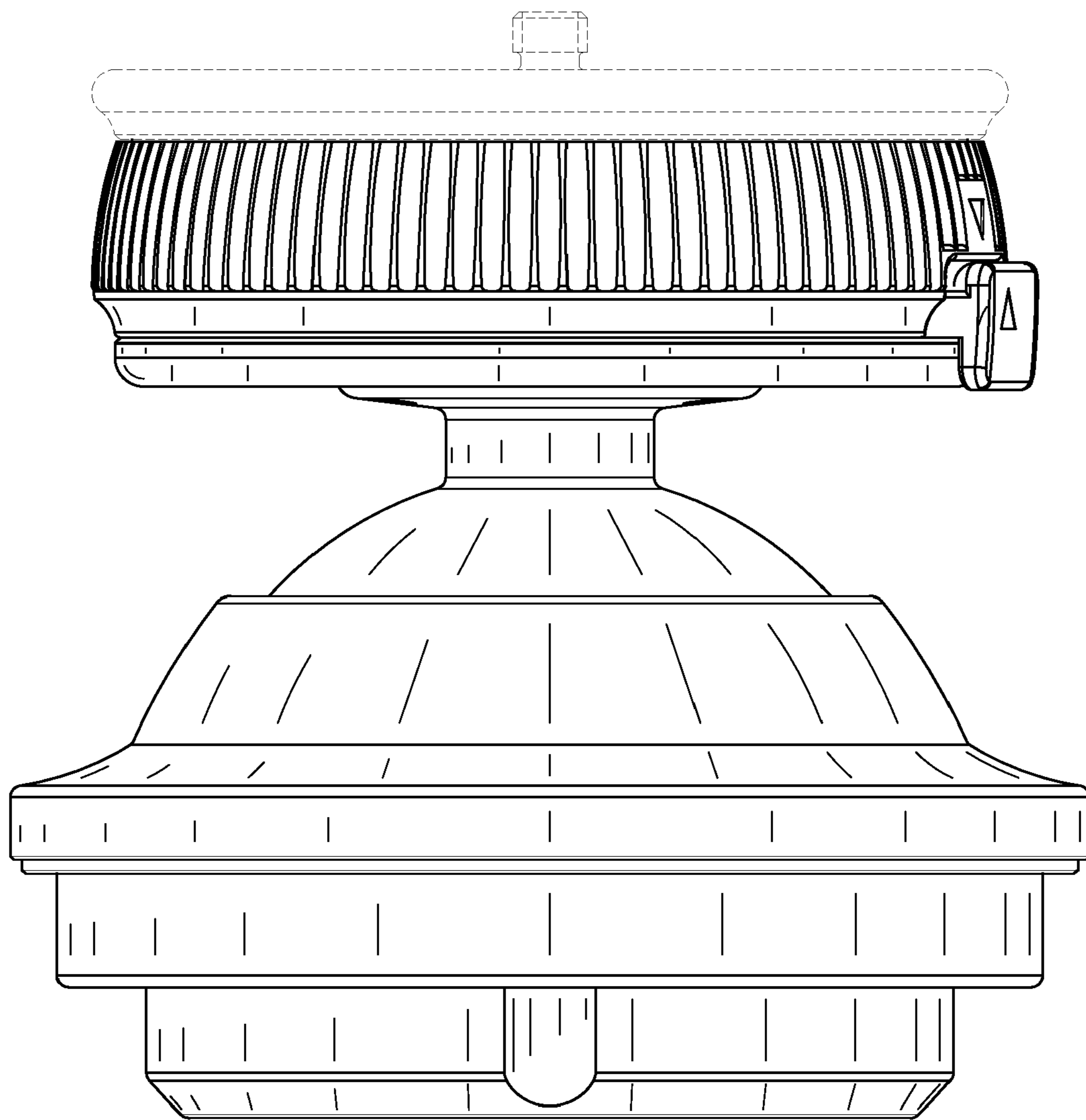


FIG. 5

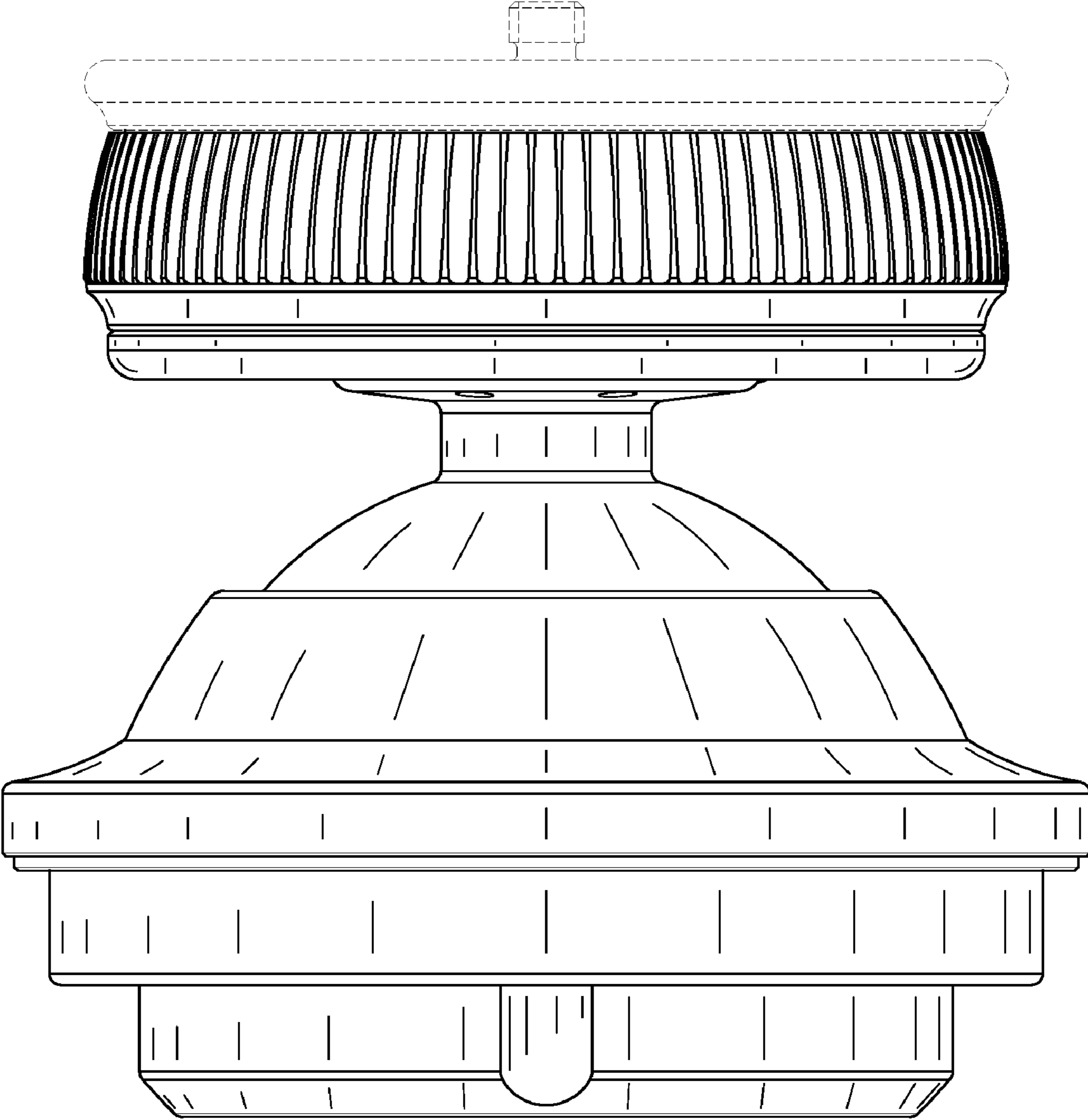


FIG. 6

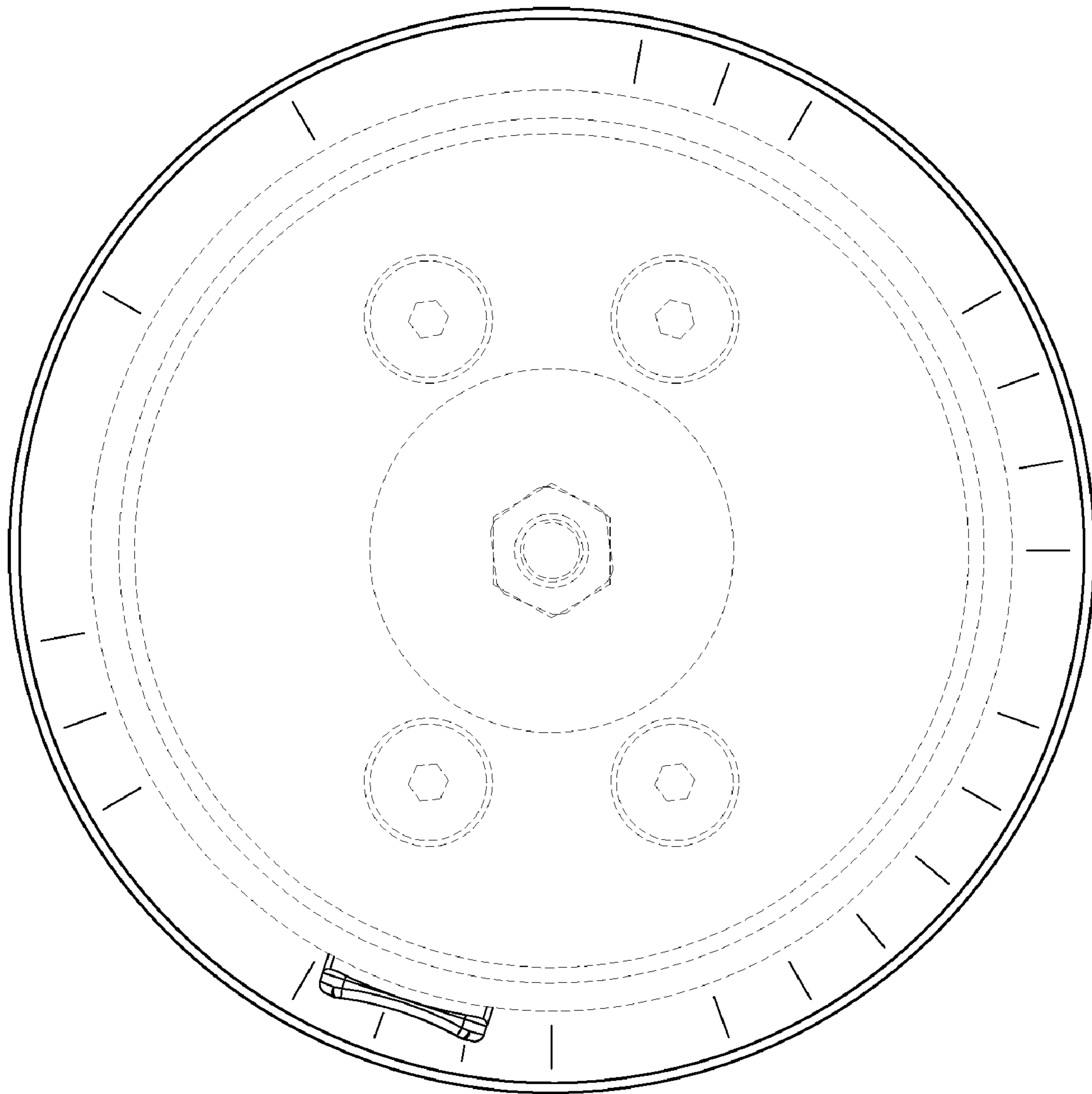


FIG. 7



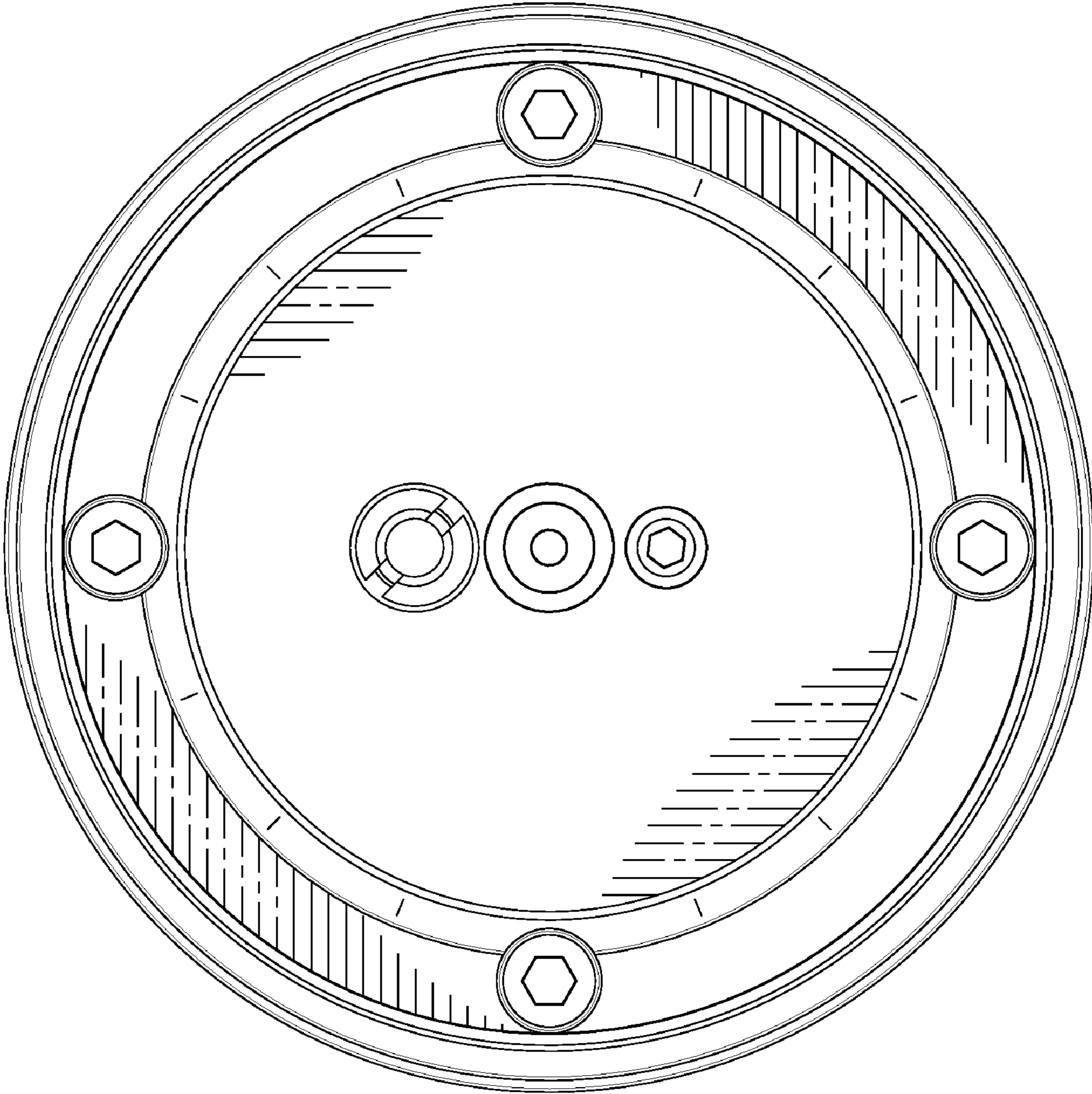


FIG. 8