



US00D607037S

(12) **United States Design Patent**  
Lee

(10) **Patent No.:** US D607,037 S  
(45) **Date of Patent:** \*\* Dec. 29, 2009

(54) **TRIPOD**

(76) **Inventor:** Lihwa Lee, Carp Industry Area, Dawo, Danzao Town, Nanhai, Foshan, Guangdong (CN) 528200

(\*\*) **Term:** 14 Years

(21) **Appl. No.:** 29/330,619

(22) **Filed:** Jan. 9, 2009

(51) **LOC (9) Cl.** ..... 16-05

(52) **U.S. Cl.** ..... D16/244

(58) **Field of Classification Search** ..... D16/237, D16/242, 244-245; 352/243; 396/218, 419-420, 396/422, 428; 248/176.1, 176.3, 177.1, 186.1, 248/178.1, 170, 187.1, 183.1, 183.2, 373, 248/168, 171, 185.1, 188.7, 188.3, 188.6  
See application file for complete search history.

(56) **References Cited**

U.S. PATENT DOCUMENTS

D222,596	S *	11/1971	Leubner	.....	D16/244
D257,261	S *	10/1980	Shinohara	.....	D16/244
D269,880	S *	7/1983	Iwasaki	.....	D16/244
4,697,772	A *	10/1987	Kosugi et al.	.....	248/183.3
D326,105	S *	5/1992	Doi	.....	D16/244
D335,298	S *	5/1993	Hanke	.....	D16/244
D344,969	S *	3/1994	Nakatani	.....	D16/244

D349,915	S *	8/1994	Hanke	.....	D16/244
D505,442	S *	5/2005	Murray et al.	.....	D16/244
7,047,960	B2 *	5/2006	McCrea	.....	124/86
7,048,241	B2 *	5/2006	Crain et al.	.....	248/170
D532,436	S *	11/2006	Kruse et al.	.....	D16/244
7,222,827	B2 *	5/2007	Crain et al.	.....	248/188.8
2007/0090237	A1 *	4/2007	Hsu	.....	248/178.1

\* cited by examiner

*Primary Examiner*—Ian Simmons

*Assistant Examiner*—Wan Laymon

(74) *Attorney, Agent, or Firm*—Global IP Services; Tianhua Gu

(57) **CLAIM**

The ornamental design for a tripod, as shown and described.

**DESCRIPTION**

FIG. 1 is a right-front perspective view of a tripod showing my new design;

FIG. 2 is a front view thereof;

FIG. 3 is a back view thereof;

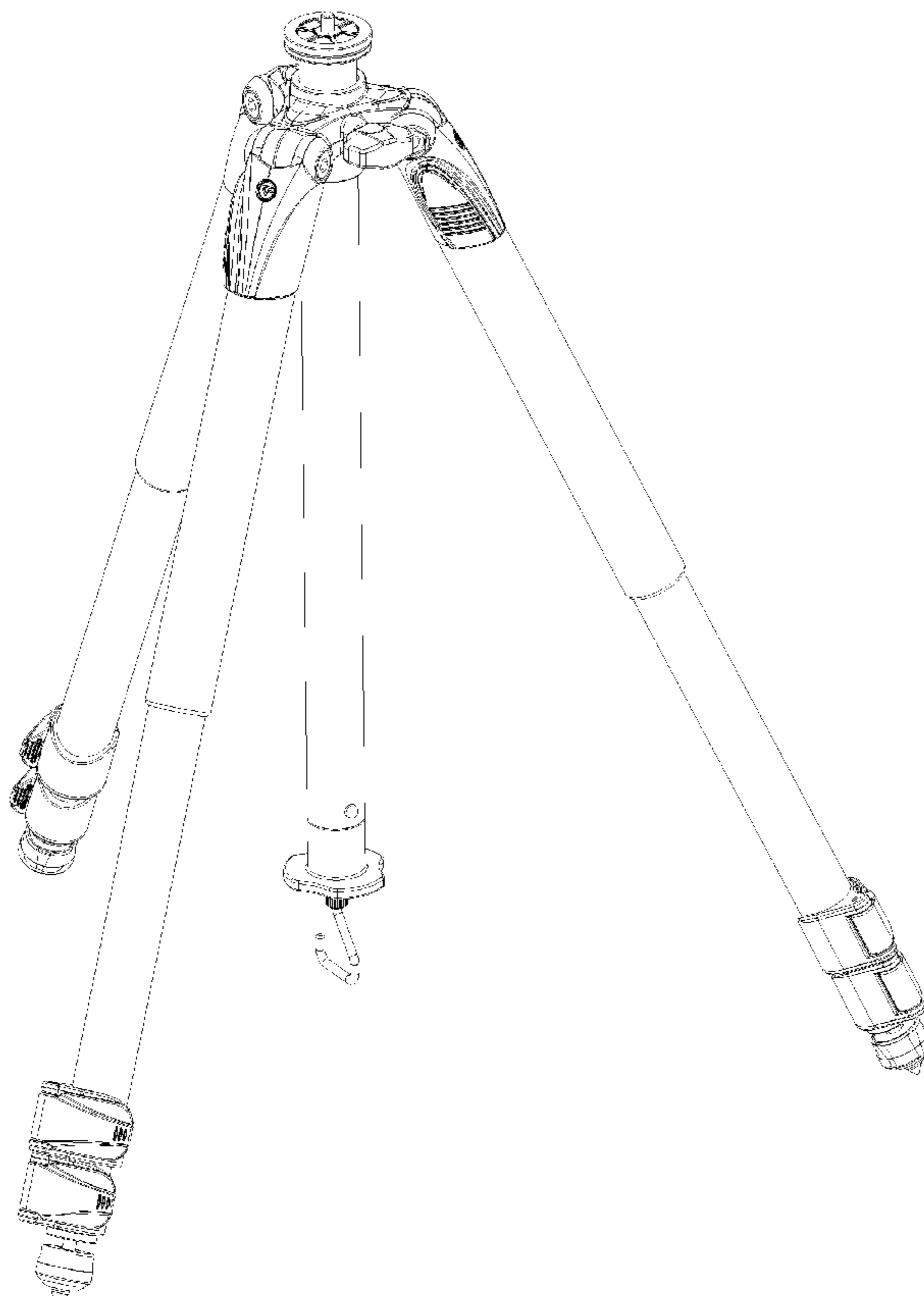
FIG. 4 is a left side view thereof;

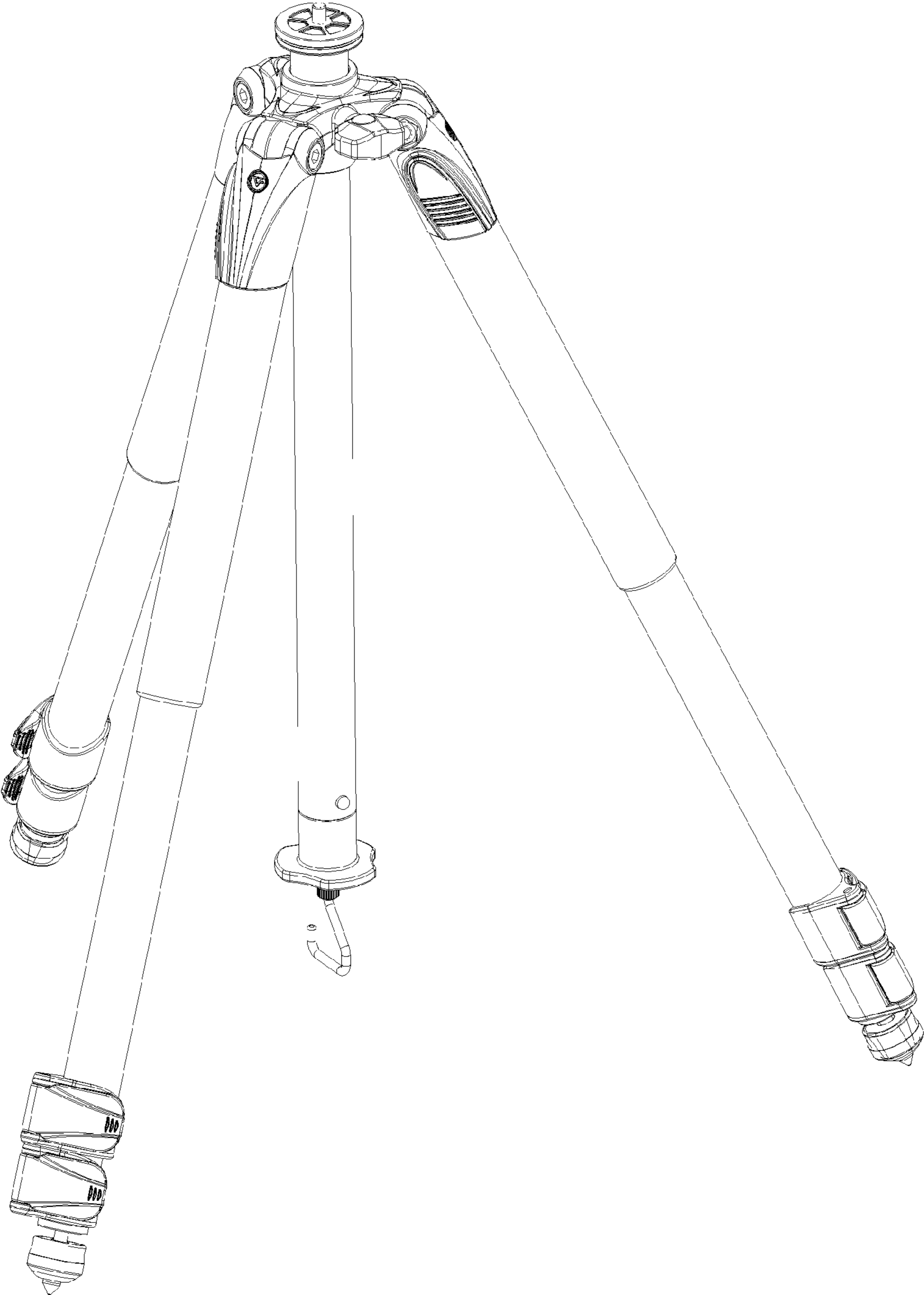
FIG. 5 is a right side view thereof;

FIG. 6 is a top view thereof; and,

FIG. 7 is a bottom view thereof.

**1 Claim, 7 Drawing Sheets**





**Fig. 1**

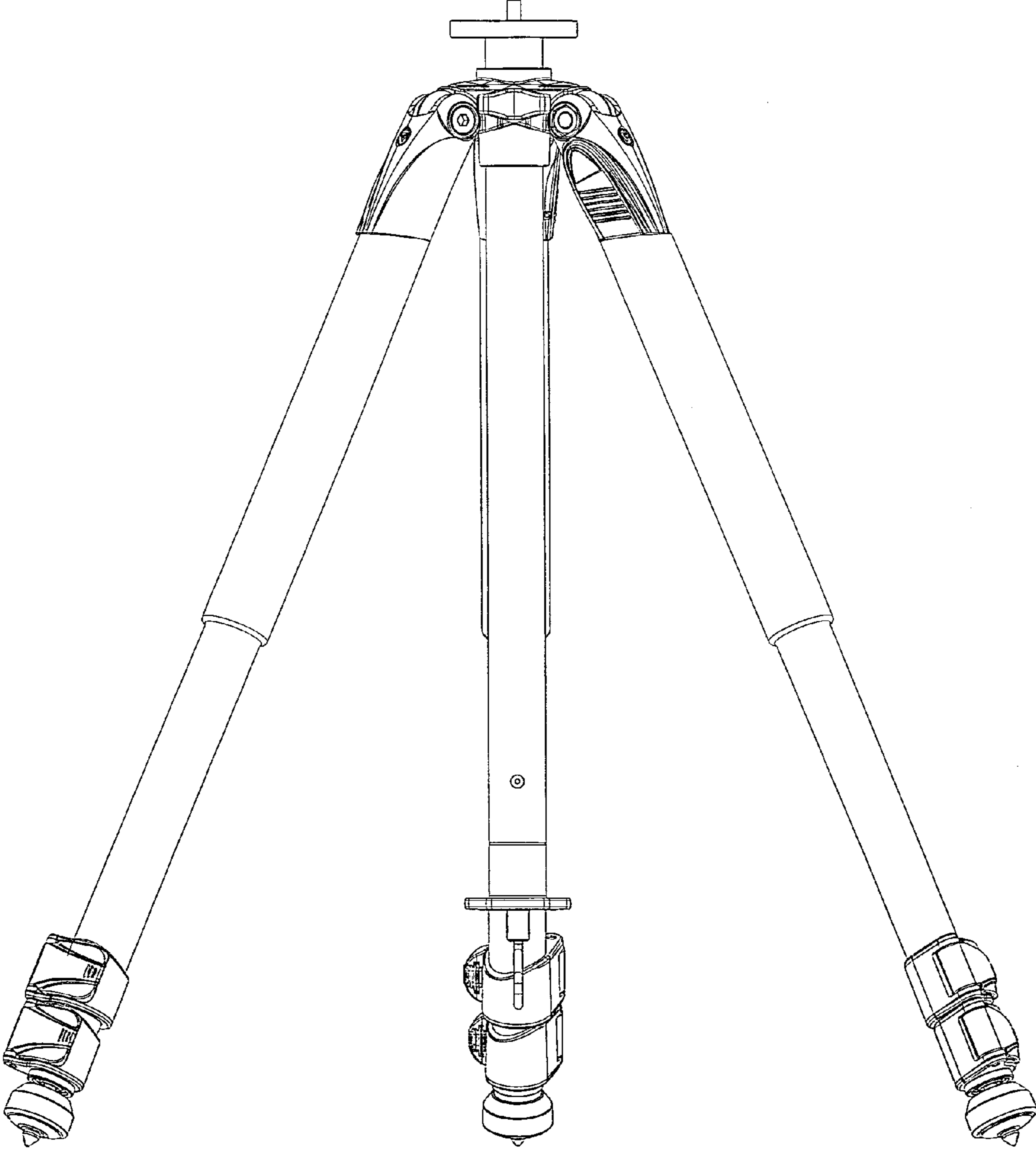


Fig. 2

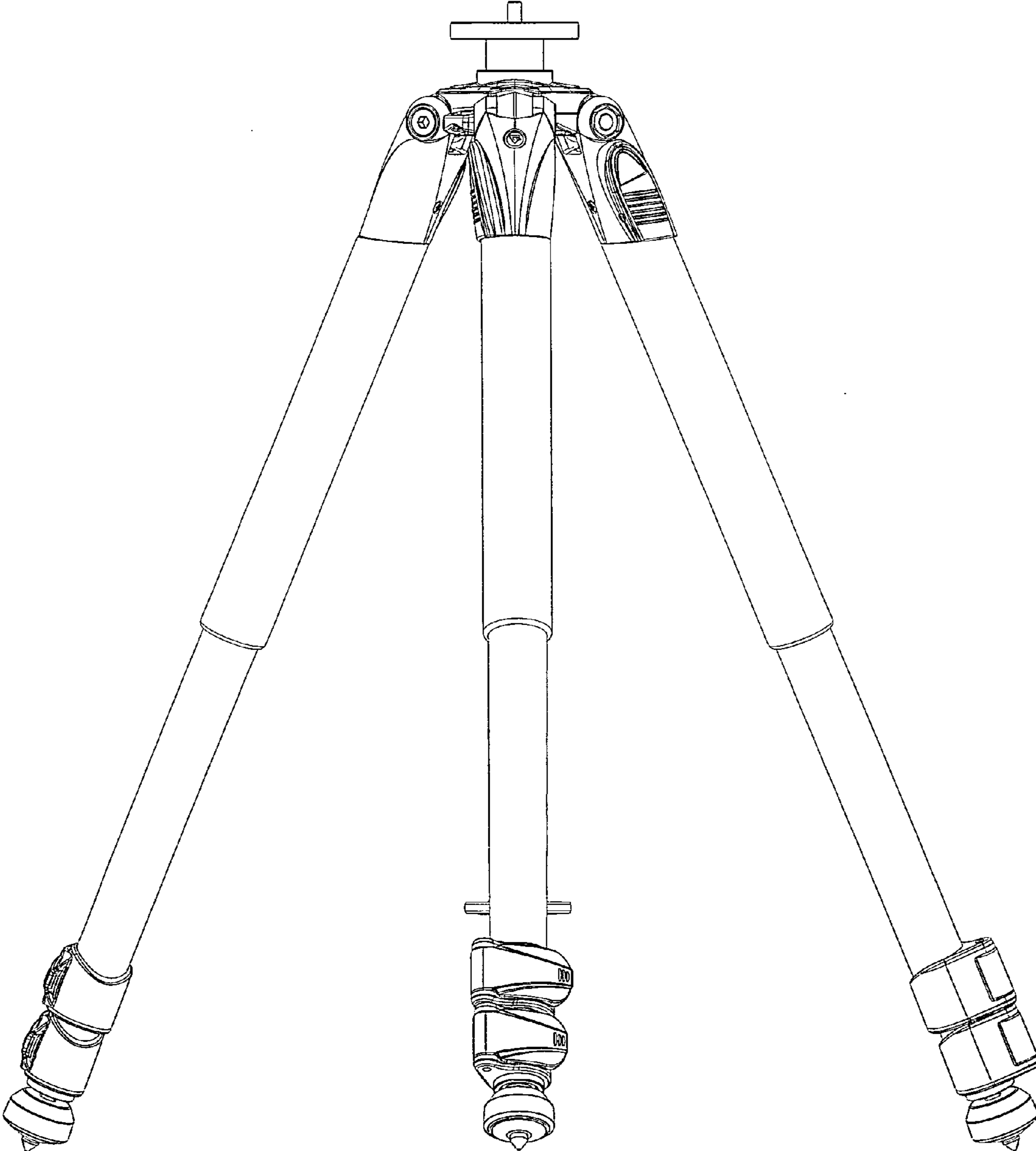
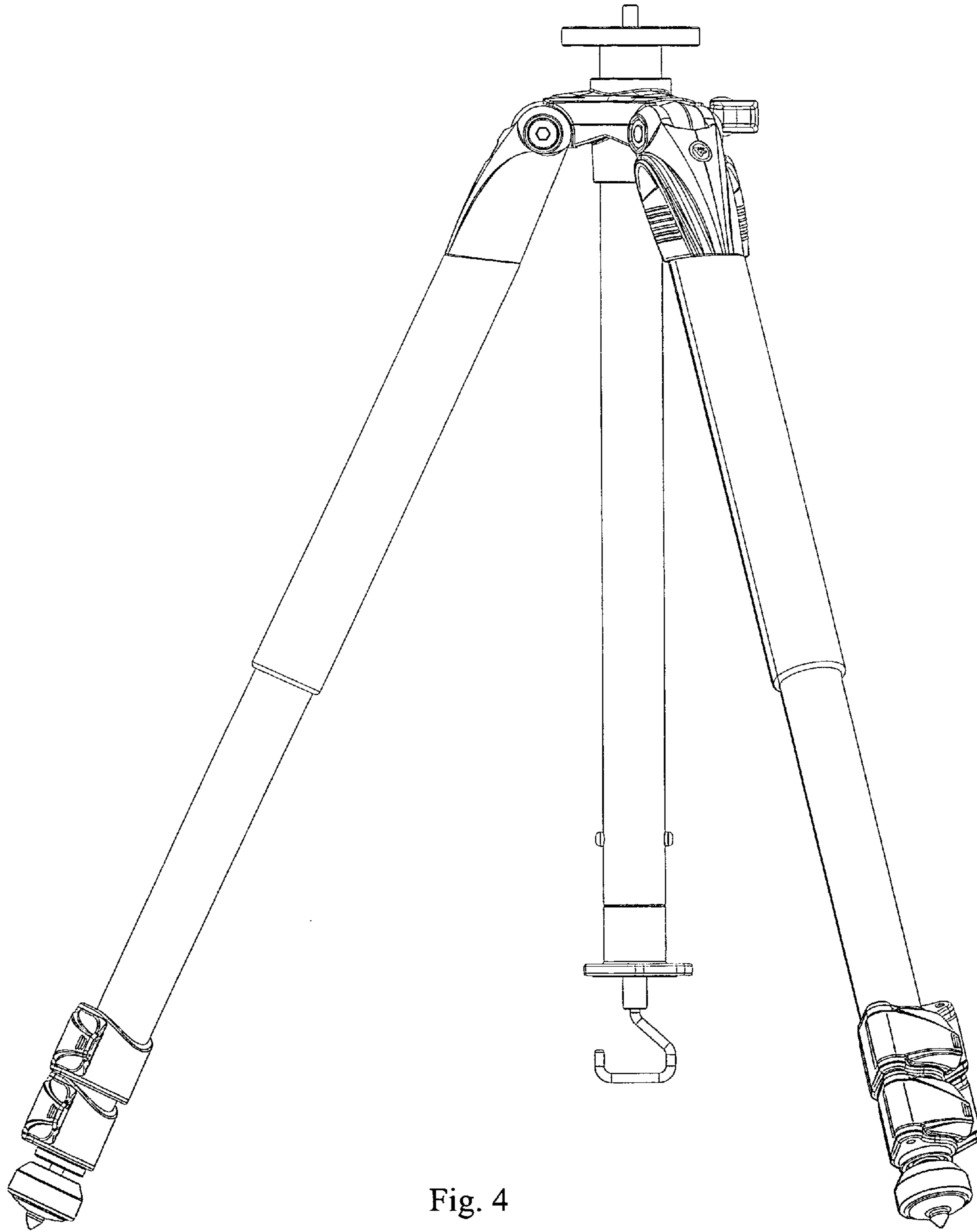


Fig. 3



**Fig. 4**

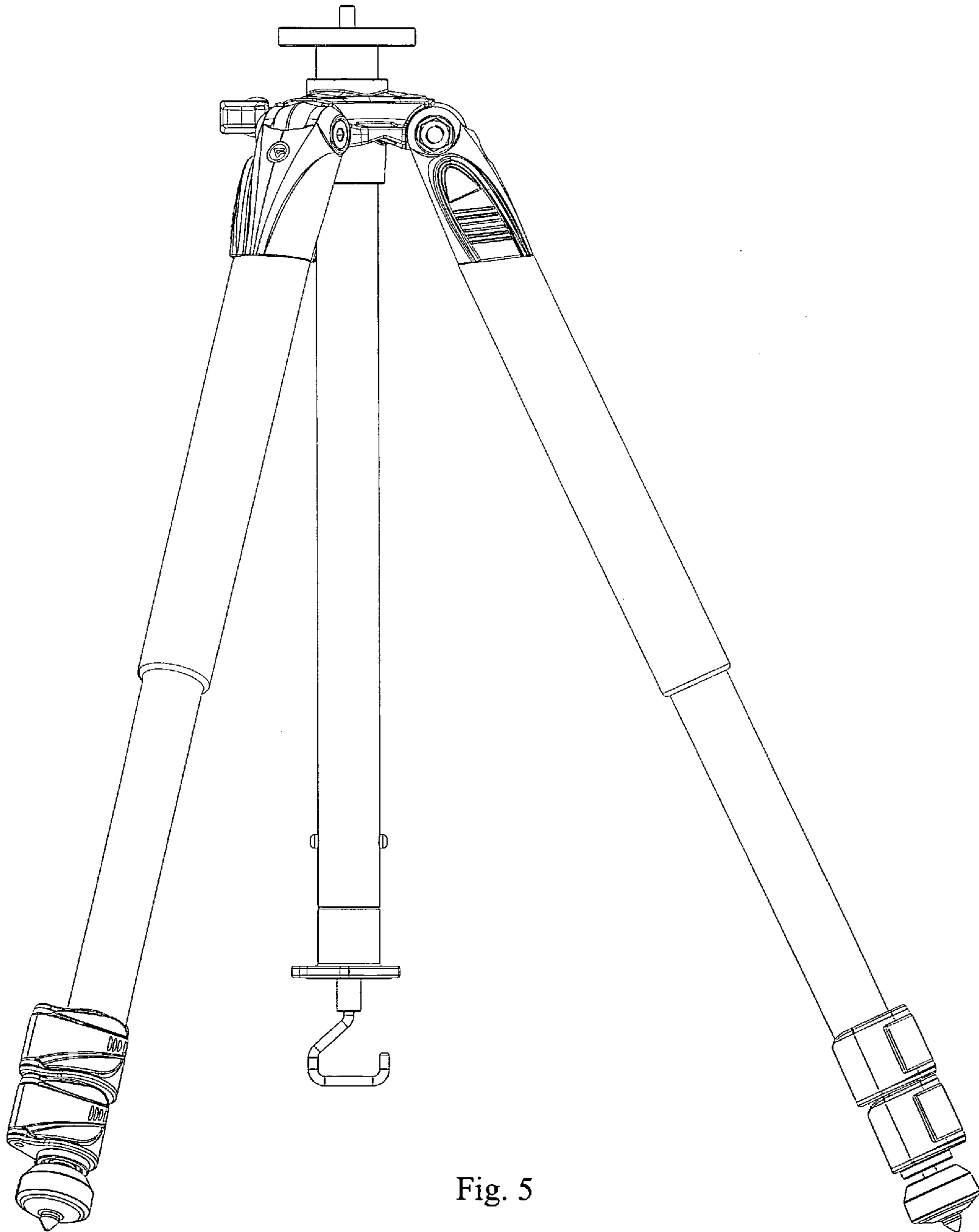


Fig. 5

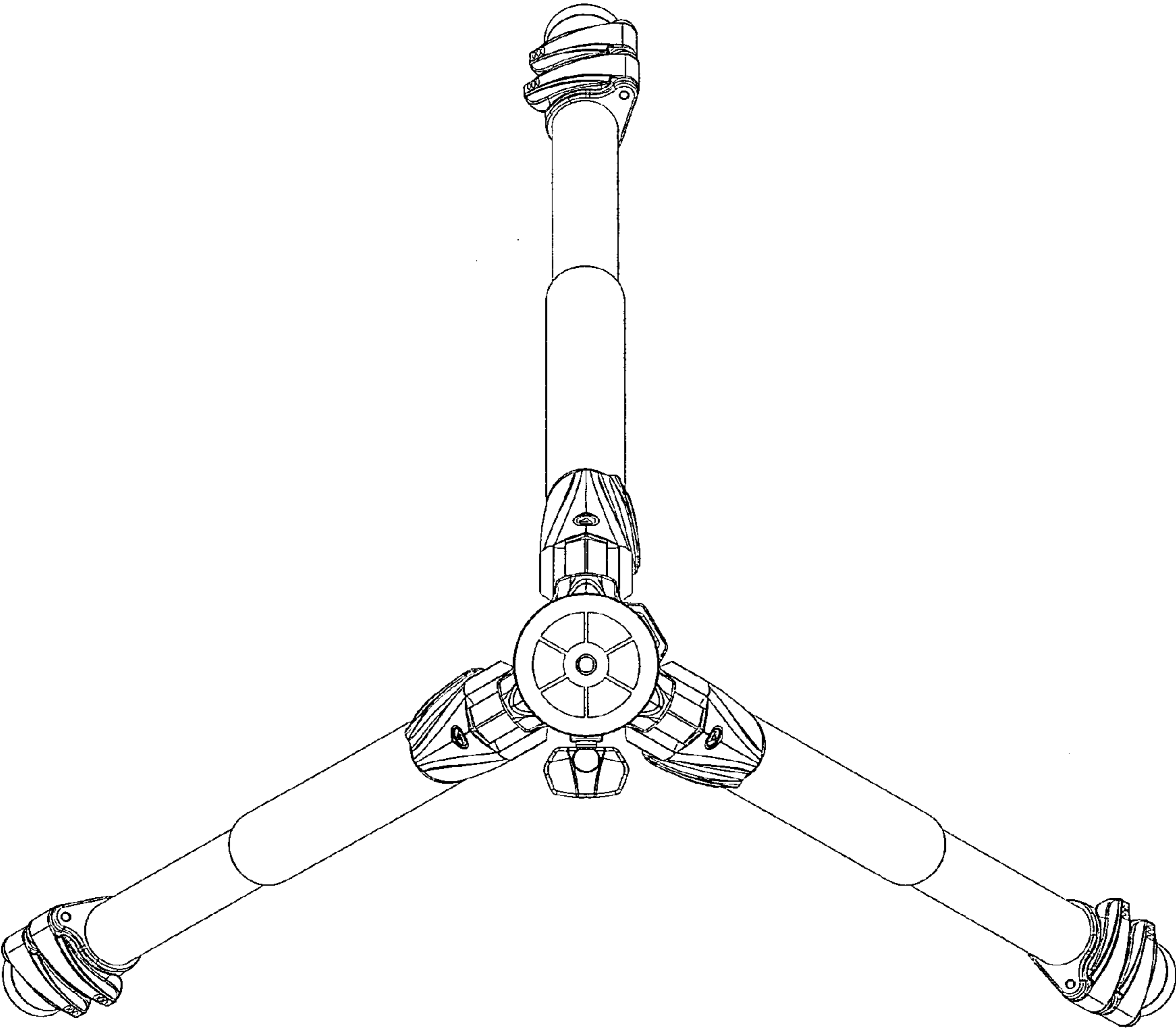


Fig. 6

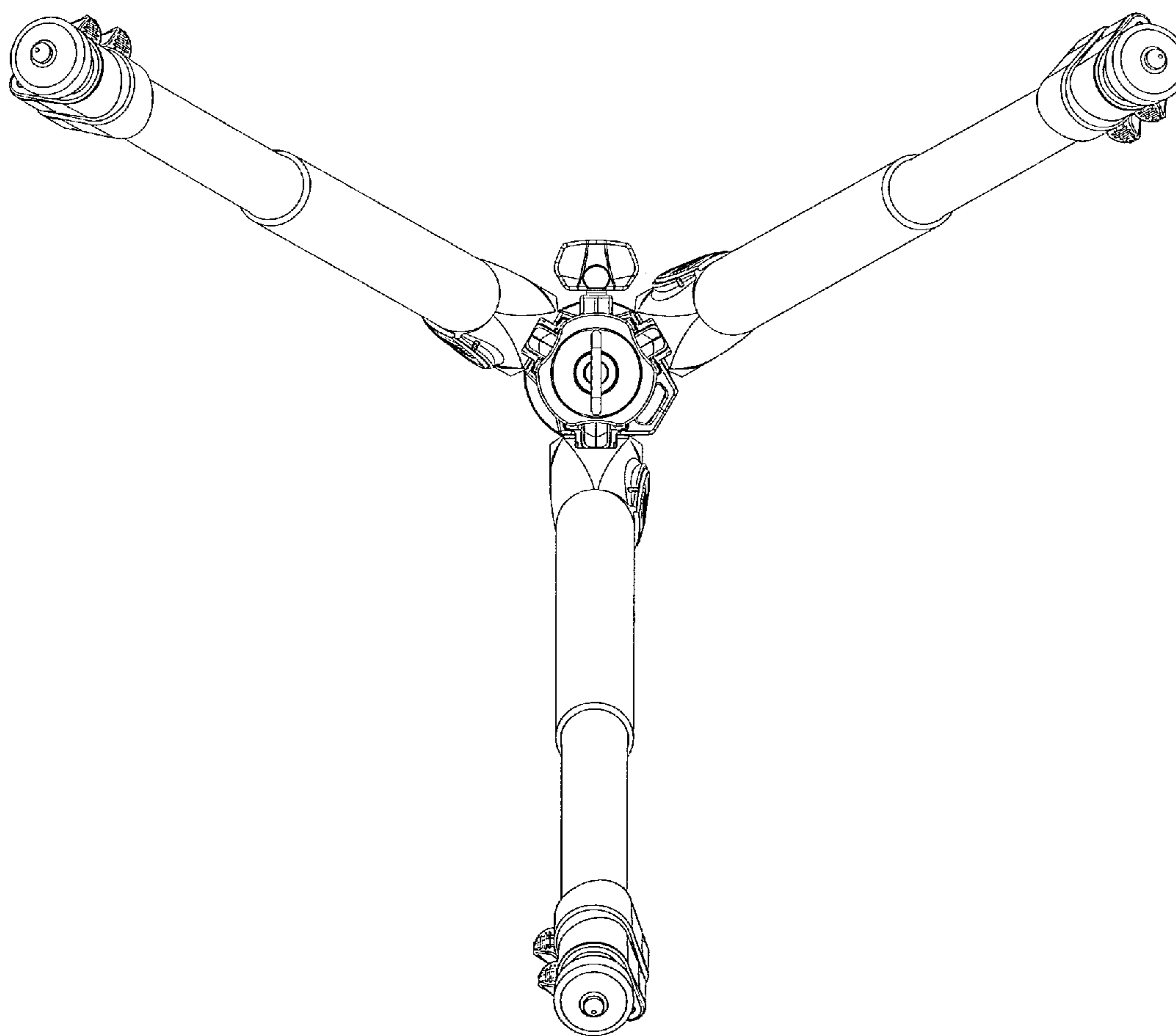


Fig. 7