

US00D607034S

(12) **United States Design Patent**
Adams et al.

(10) **Patent No.:** **US D607,034 S**
(45) **Date of Patent:** **** Dec. 29, 2009**

(54) **PORTABLE FRONT PROJECTION SCREEN**

(75) Inventors: **Douglas Adams**, Raleigh, NC (US);
Robert L. Wood, Cary, NC (US);
Edward Fadel, Hillsborough, NC (US);
Donald Hirsh, Chapel Hill, NC (US);
Sean Hillard, Raleigh, NC (US)

(73) Assignee: **Bright View Technologies, Inc.**,
Morrisville, NC (US)

(**) Term: **14 Years**

(21) Appl. No.: **29/337,221**

(22) Filed: **May 18, 2009**

Related U.S. Application Data

(62) Division of application No. 29/297,173, filed on Nov. 6, 2007, now Pat. No. Des. 594,894.

(51) **LOC (9) Cl.** **16-05**

(52) **U.S. Cl.** **D16/241**

(58) **Field of Classification Search** D16/235,
D16/241-242, 245, 250; D20/10; 160/24,
160/37-38, 351; 359/443, 461, 459-460;
362/320, 352, 319; 396/3-4
See application file for complete search history.

(56) **References Cited**

U.S. PATENT DOCUMENTS

1,915,944 A 6/1933 Nagel

(Continued)

FOREIGN PATENT DOCUMENTS

TW 553683 9/2003

TW D112308 8/2006

OTHER PUBLICATIONS

DEMCO 2001 Annual Catalog; HD13013141, product advertisement.

Primary Examiner—Stella M Reid

Assistant Examiner—Wan Laymon

(74) *Attorney, Agent, or Firm*—Myers Bigel Sibley & Sajovec, P.A.

(57) **CLAIM**

The ornamental design for a portable front projection screen, as shown and described.

DESCRIPTION

FIG. 1 is a front and top perspective view of the portable front projection screen shown in a closed configuration illustrating our design;

FIG. 2 is a top view thereof;

FIG. 3 is a side view thereof;

FIG. 4 is a bottom view thereof;

FIG. 5 is an opposing side view of the side view shown in FIG. 3;

FIG. 6 is a bottom end view thereof;

FIG. 7 is a top end view thereof;

FIG. 8 is a front perspective view of the portable front projection screen shown in an open configuration;

FIG. 9 is a rear perspective view thereof;

FIG. 10 is a front perspective view thereof, in use condition;

FIG. 11 is a side view of FIG. 8;

FIG. 12 is a rear view thereof;

FIG. 13 is an opposing side view of the view shown in FIG. 11;

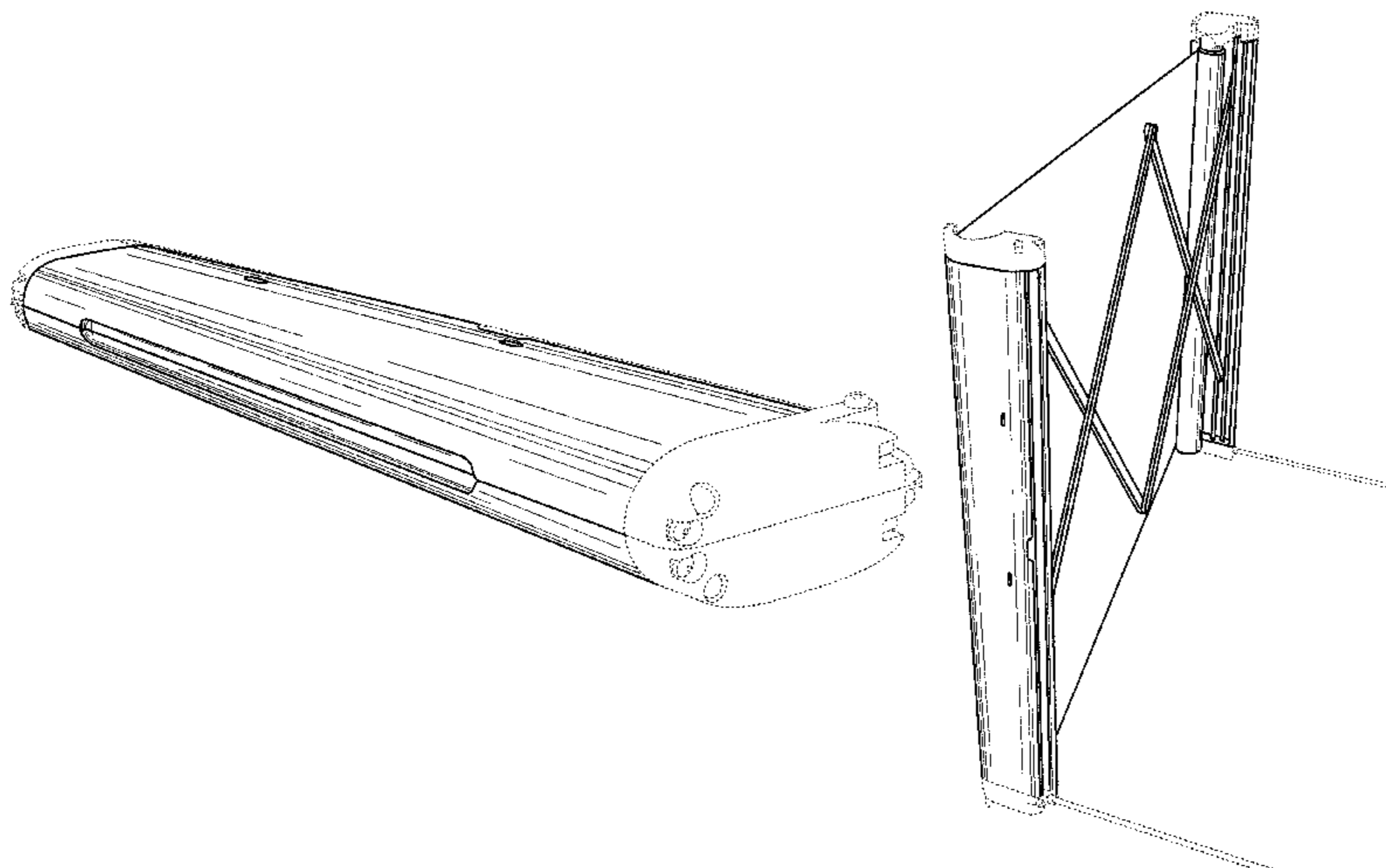
FIG. 14 is a front view thereof;

FIG. 15 is a bottom view thereof; and,

FIG. 16 is a top view thereof.

The broken lines showing the projector, the display screen and portions of the portable front projection screen and projecting broken lines are included for the purpose of illustrating environmental structure and form no part of the claimed design.

1 Claim, 12 Drawing Sheets



US D607,034 S

Page 2

U.S. PATENT DOCUMENTS

D383,497 S 9/1997 Robertson
5,982,537 A 11/1999 Koizumi et al.
6,249,377 B1 6/2001 Takamoto et al.
6,297,905 B1 10/2001 Takamoto et al.
6,424,463 B1 7/2002 Nishitani
D510,590 S * 10/2005 Safran et al. D16/241
D520,046 S 5/2006 Miyagawa et al.
7,092,166 B1 8/2006 Wood
7,192,692 B2 3/2007 Wood et al.
D548,765 S 8/2007 Kotera et al.
7,262,912 B2 8/2007 Wood
D568,364 S 5/2008 Jeoung et al.
7,426,077 B2 9/2008 Miyagawa et al.
7,489,444 B1 2/2009 Adams et al.

D594,894 S * 6/2009 Adams et al. D16/241
2006/0279840 A1 12/2006 Yamauchi
2007/0121088 A1 5/2007 Liang et al.
2007/0121209 A1 5/2007 Liang et al.
2007/0211209 A1 5/2007 Liang et al.
2009/0122400 A1* 5/2009 Adams et al. 359/461

OTHER PUBLICATIONS

Search Report for New design Patent Application, ROC (Taiwan)
New Design Patent Application No. 096306328 (with Translation),
Date of Completion May 16, 2008.
Search Report for New design Patent Application, ROC (Taiwan)
New Design Patent Application No. 096306329 (with Translation),
Date of Completion May 16, 2008.

* cited by examiner

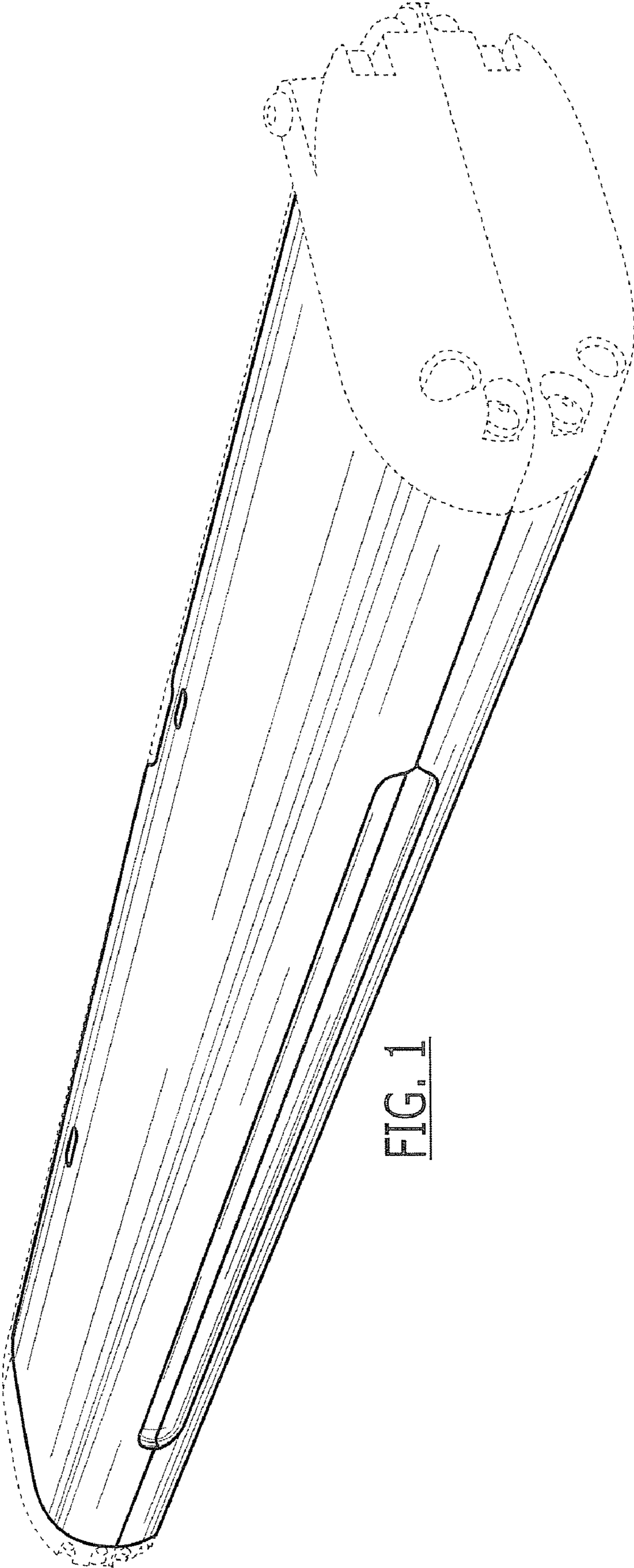


FIG. 1

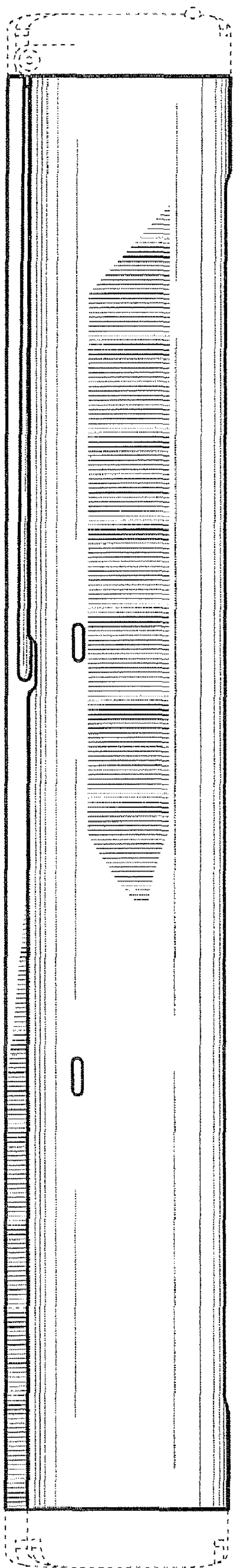


FIG. 2

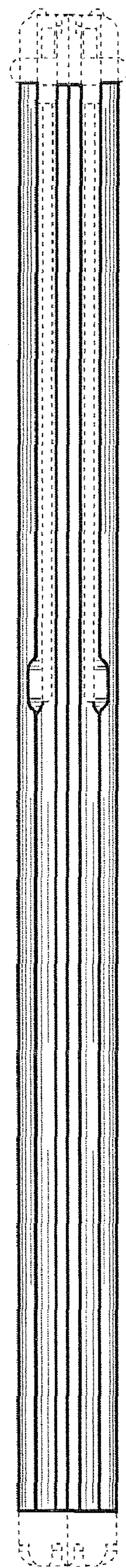


FIG. 3

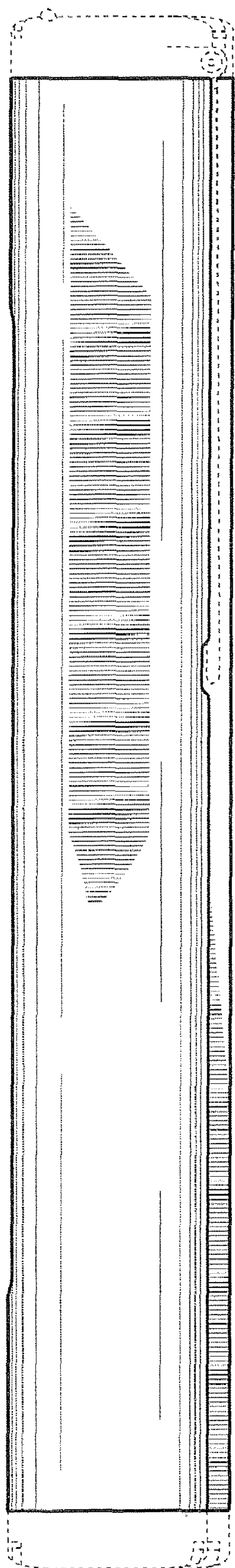


FIG. 4

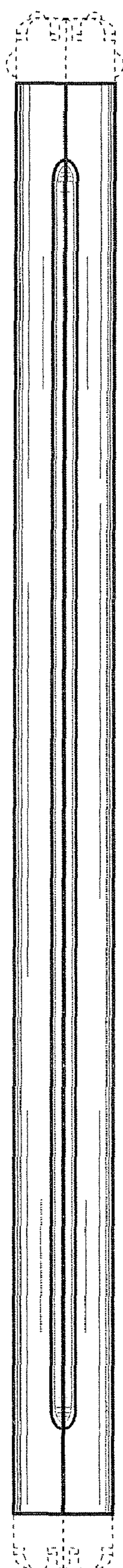


FIG. 5

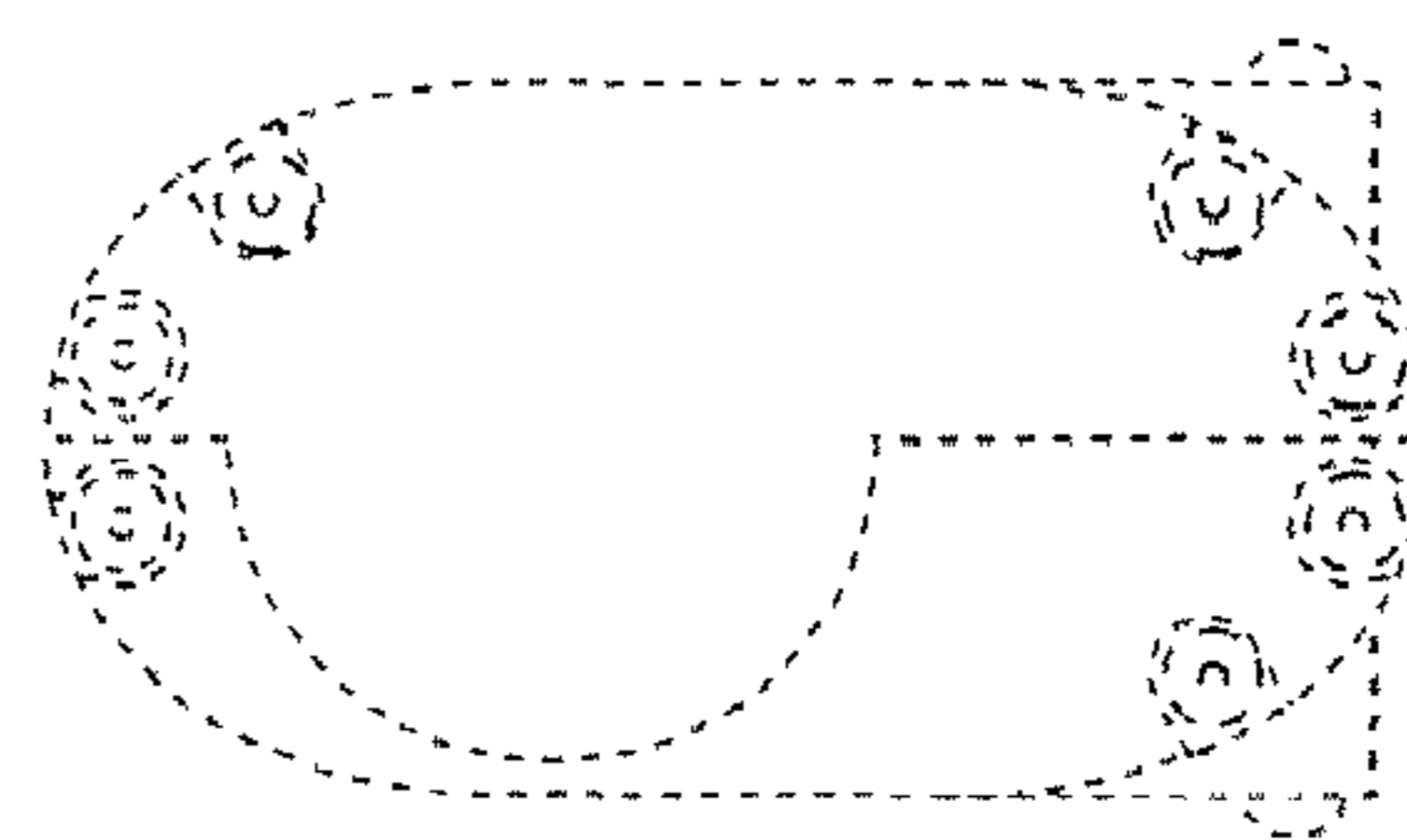


FIG. 7

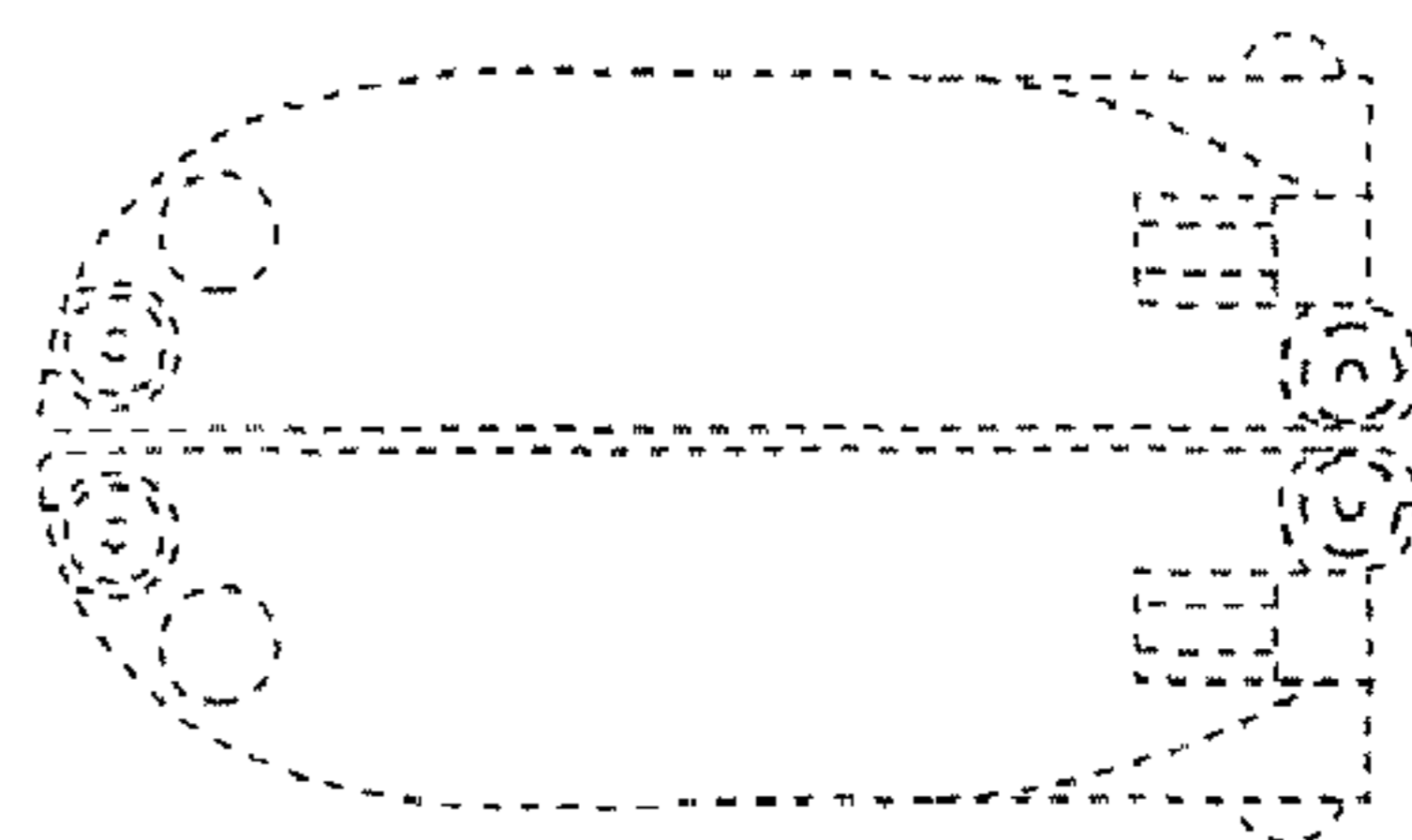


FIG. 6

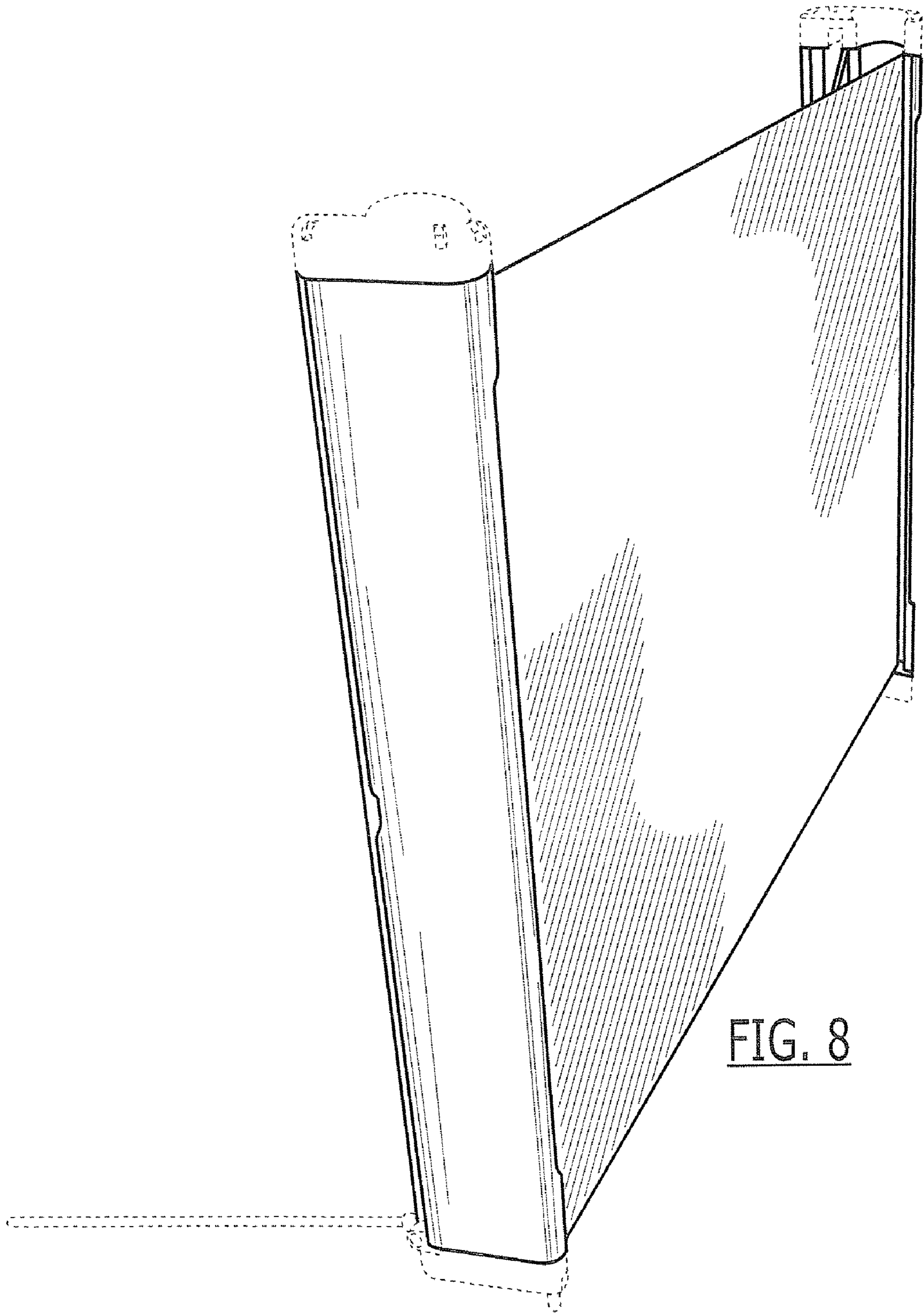


FIG. 8

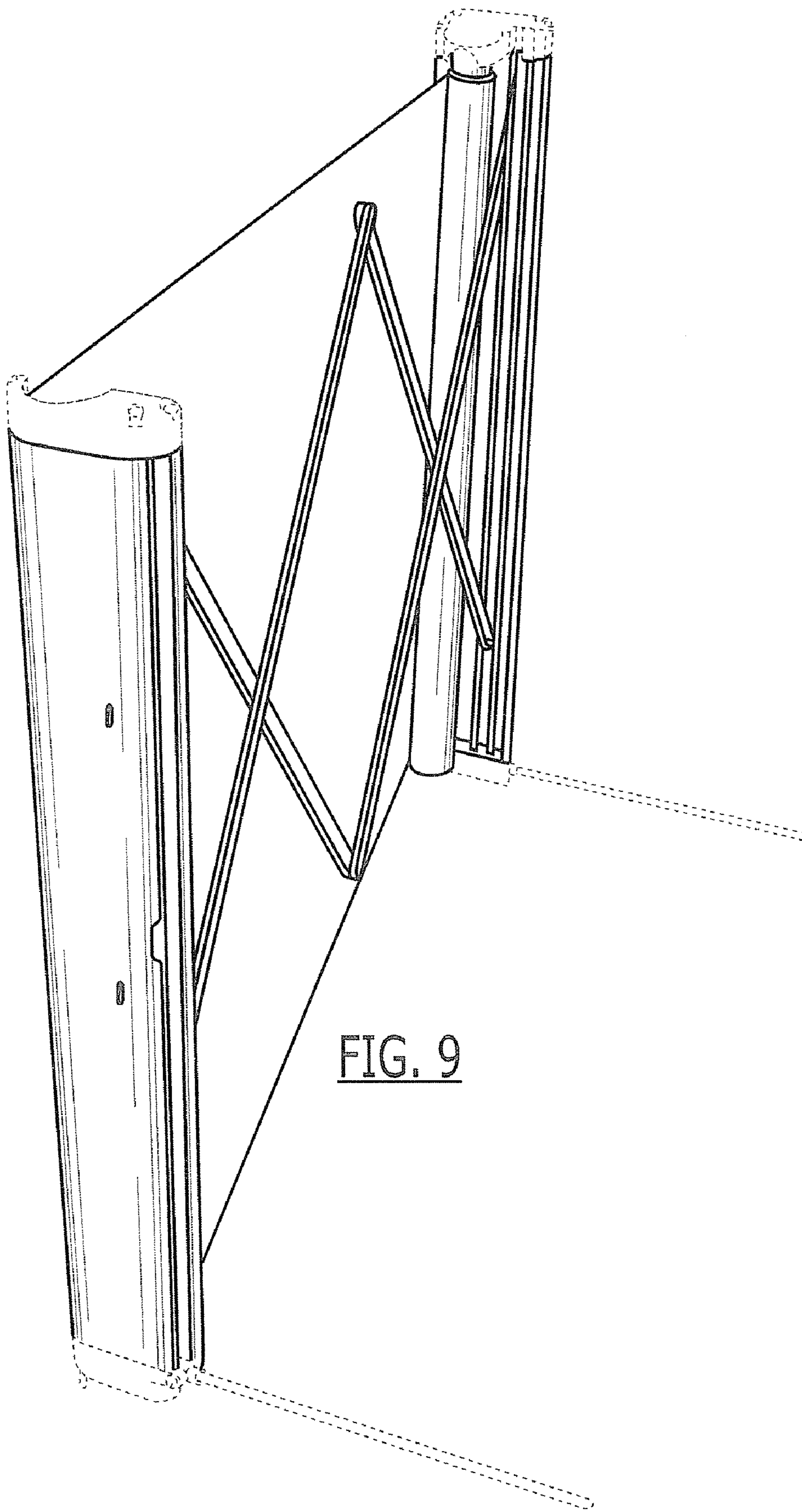


FIG. 9

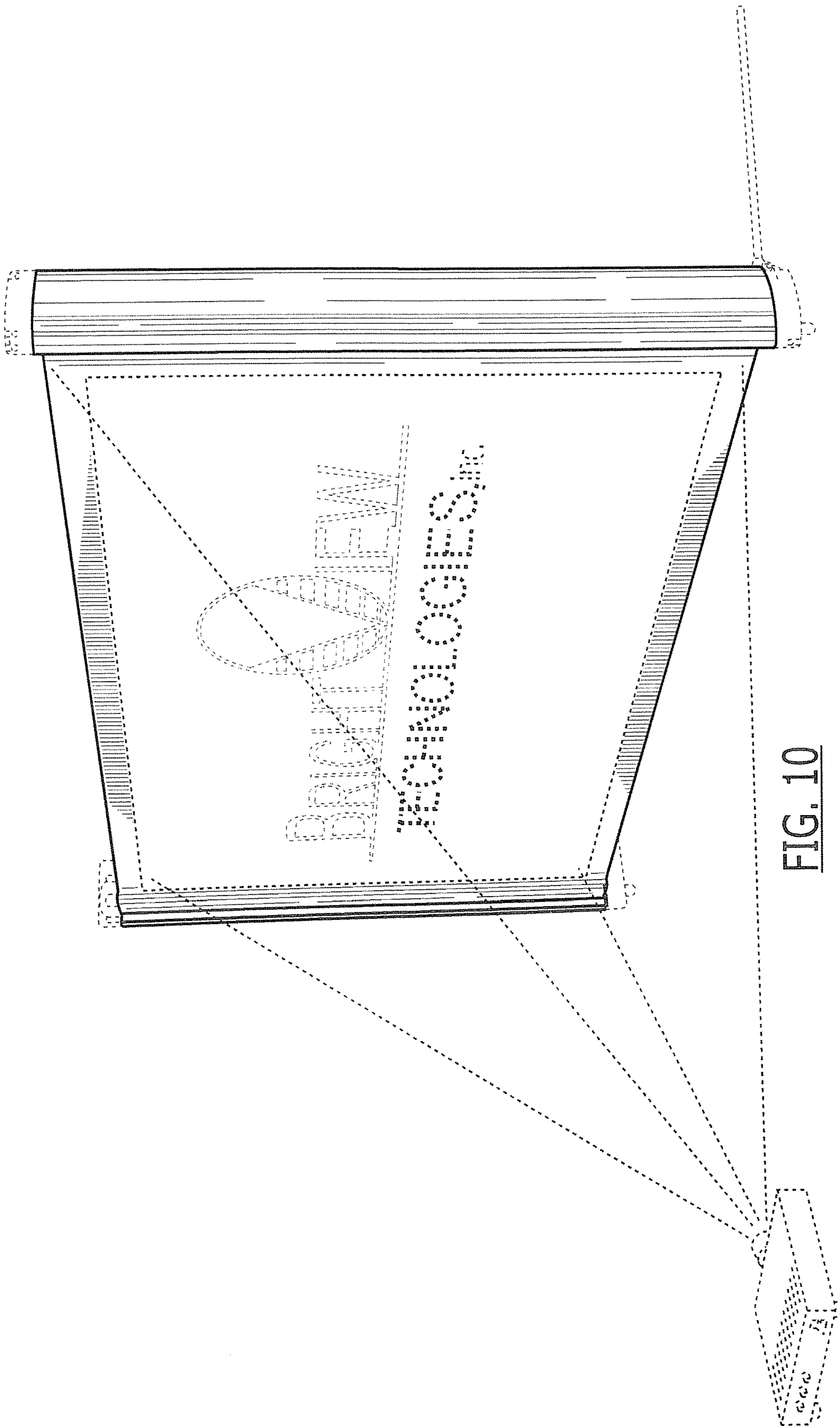


FIG. 10



FIG. 11

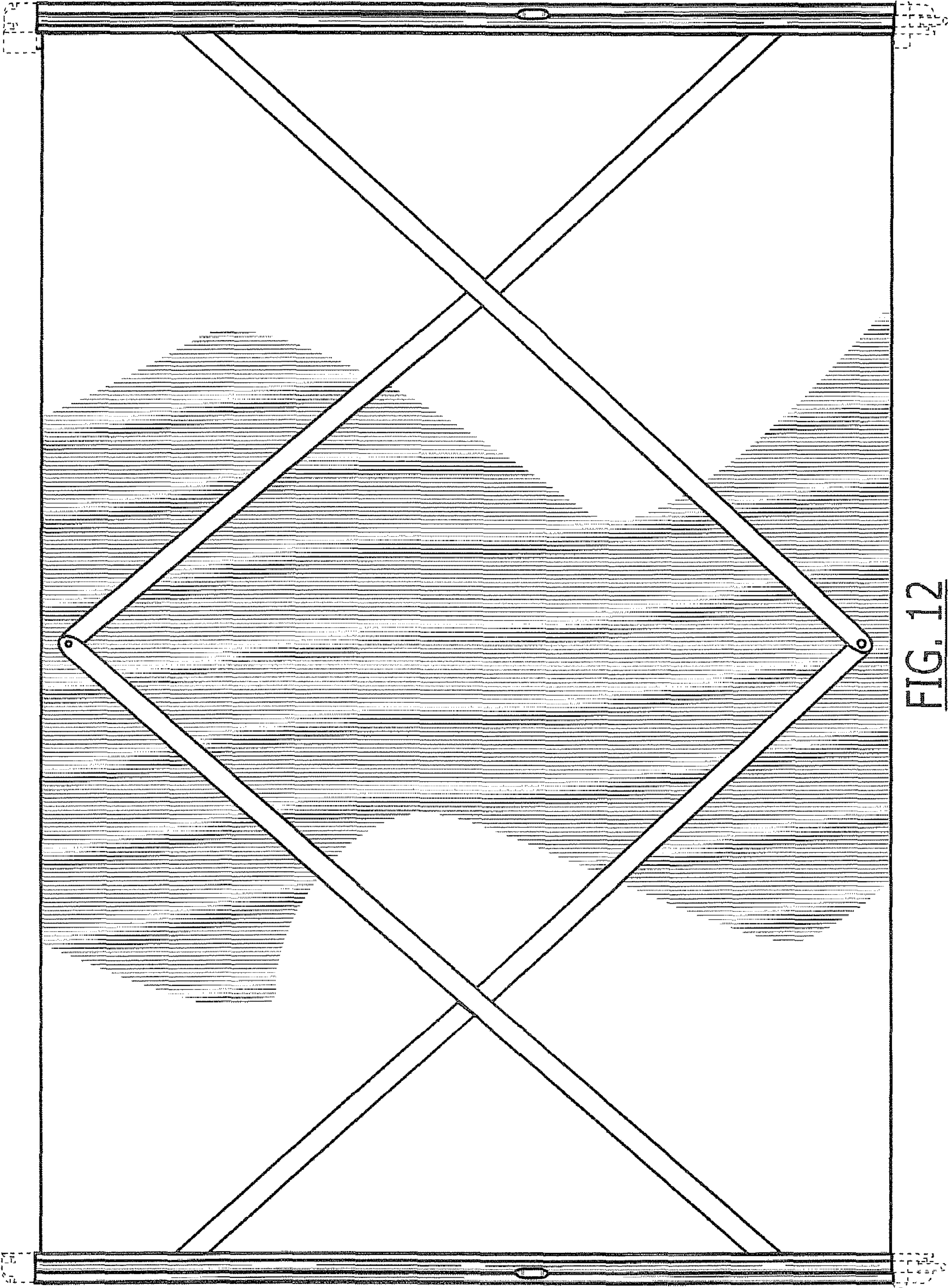


FIG. 12

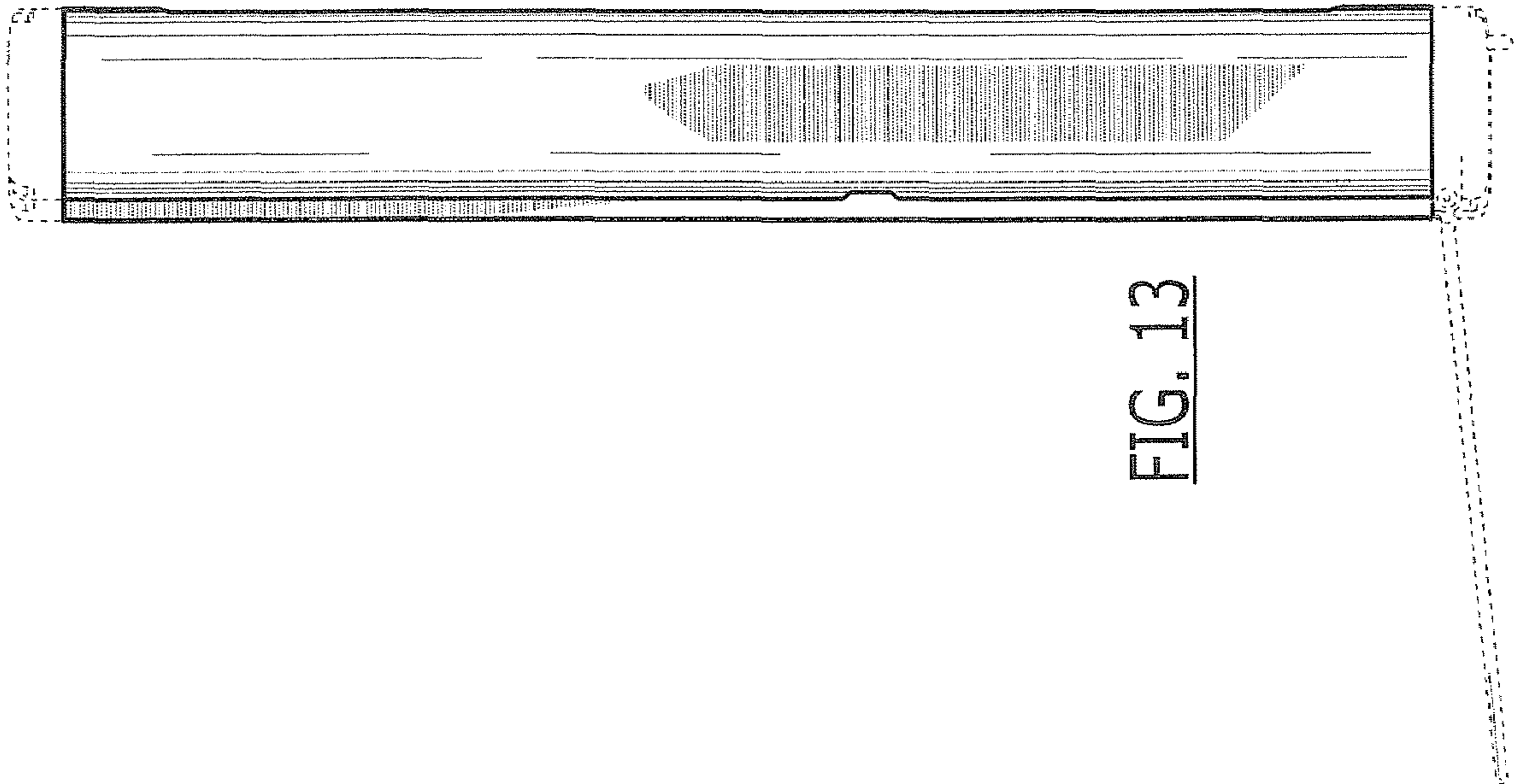


FIG. 13

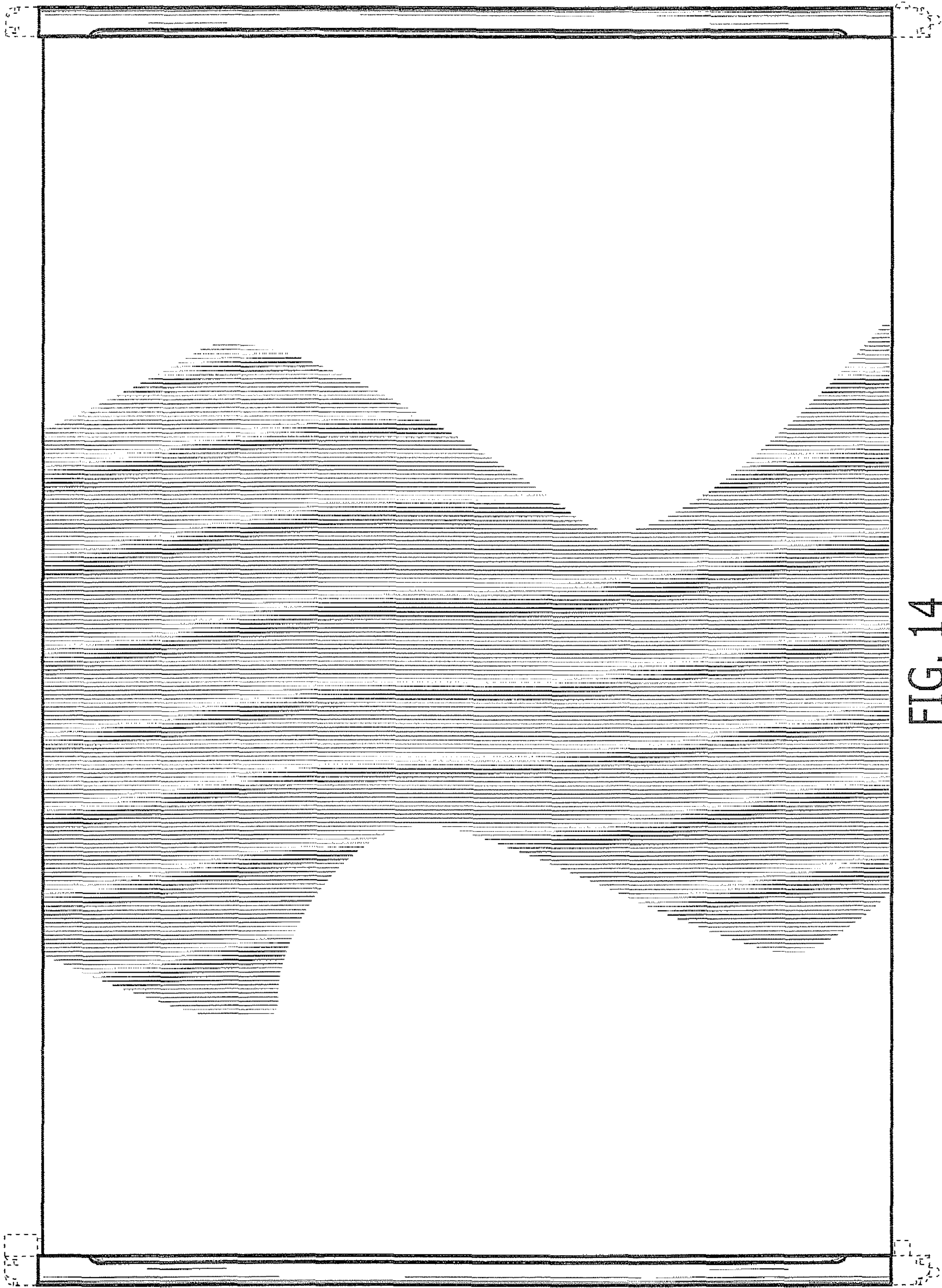


FIG. 14

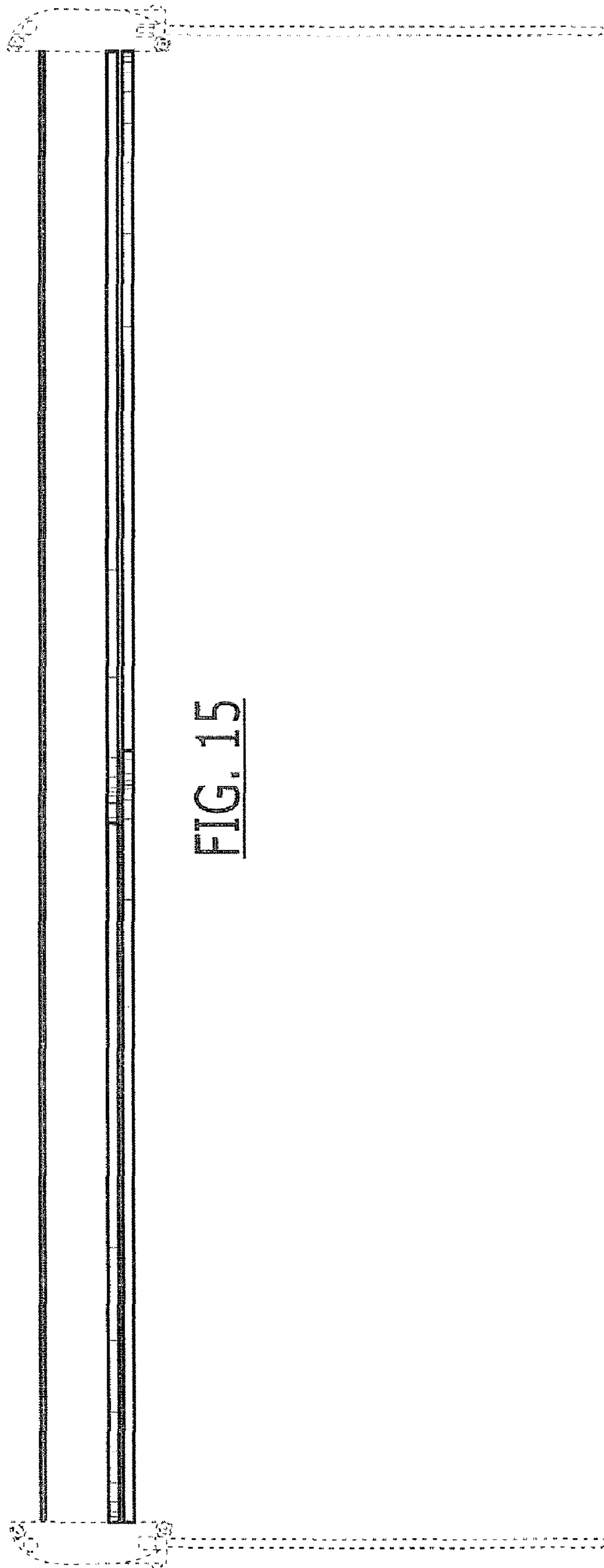


FIG. 15

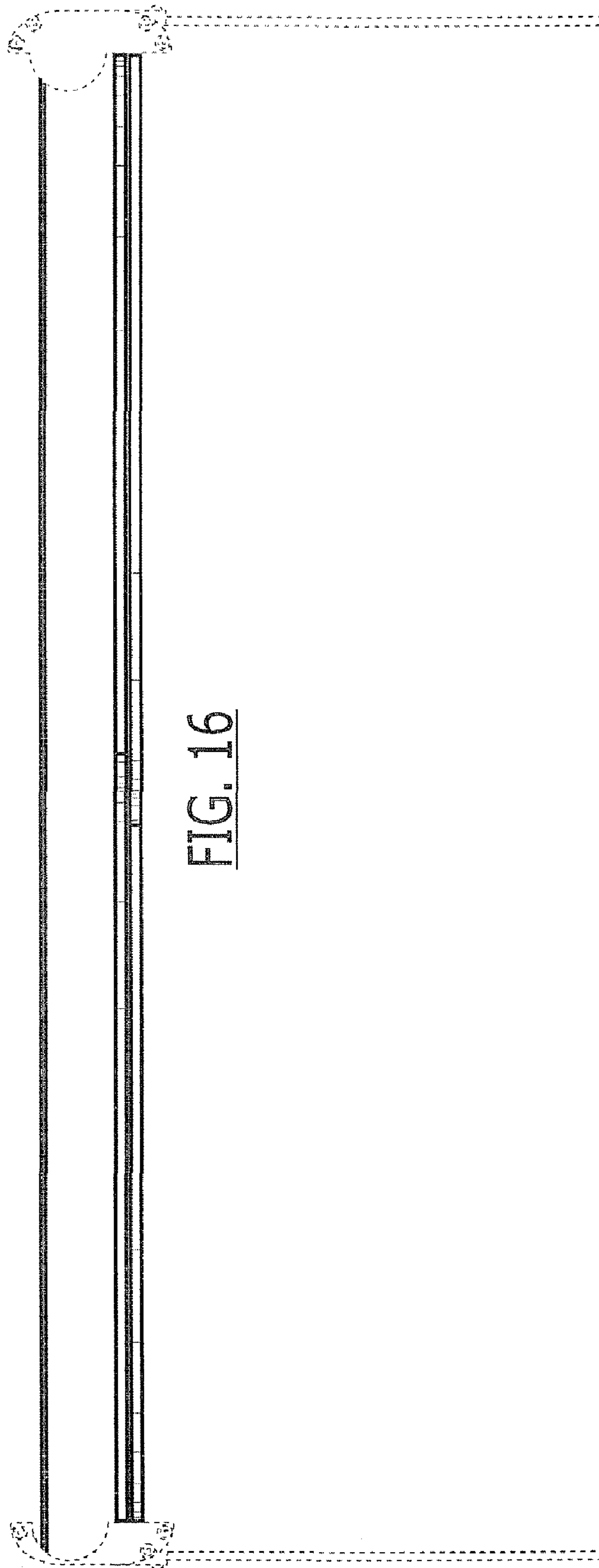


FIG. 16