



US00D607033S

(12) **United States Design Patent**
Arbuckle et al.

(10) **Patent No.:** **US D607,033 S**

(45) **Date of Patent:** **** Dec. 29, 2009**

(54) **CAMERA ENCLOSURE**

(75) Inventors: **James F. Arbuckle**, Clovis, CA (US);
William Foreman, Fresno, CA (US);
Brook Cavalla, Clovis, CA (US)

(73) Assignee: **Pelco, Inc.**, Clovis, CA (US)

(**) Term: **14 Years**

(21) Appl. No.: **29/324,513**

(22) Filed: **Sep. 12, 2008**

(51) **LOC (9) Cl.** **16-01**

(52) **U.S. Cl.** **D16/203**

(58) **Field of Classification Search** D16/200–205,
D16/208, 218; 348/143, 151, 373–376; 358/906;
396/427, 535–541

See application file for complete search history.

(56) **References Cited**

U.S. PATENT DOCUMENTS

4,394,692	A *	7/1983	Randmae et al.	348/374
4,414,576	A *	11/1983	Randmae	348/373
D307,915	S	5/1990	Kuester, III	
D438,227	S *	2/2001	Grotto	D16/203
D481,407	S *	10/2003	Alessio	D16/203
6,728,480	B1 *	4/2004	Maeda et al.	348/373
D497,928	S *	11/2004	Cheng-Yuan	D16/203
D543,224	S *	5/2007	Kato et al.	D16/203
2001/0015764	A1 *	8/2001	Marchesini	348/143

OTHER PUBLICATIONS

Pelco Product Specification Book, 2007, Revised Apr. 2007, EH3508 Series Enclosure, pp. 185-186.

Pelco Product Specification Book, 2007, Revised Apr. 2007, EH3512/EH3515 Series Enclosure, pp. 187-188.

Pelco Product Specification Book, 2007, Revised Apr. 2007, EH4700 Series Enclosure, pp. 189-190.

Pelco Product Specification Book, 2007, Revised Apr. 2007, EH4700DB Series Enclosure, pp. 191-192.

Pelco Product Specification Book, 2007, Revised Apr. 2007, EH5700 Series Enclosure, pp. 193-194.

* cited by examiner

Primary Examiner—Adir Aronovich

(74) *Attorney, Agent, or Firm*—Paul T. Kashimba, Esq.

(57) **CLAIM**

The ornamental design for a camera enclosure, as shown and described.

DESCRIPTION

FIG. 1 is a front perspective view of a camera enclosure showing our new design;

FIG. 2 is a front elevational view thereof;

FIG. 3 is a rear elevational view thereof;

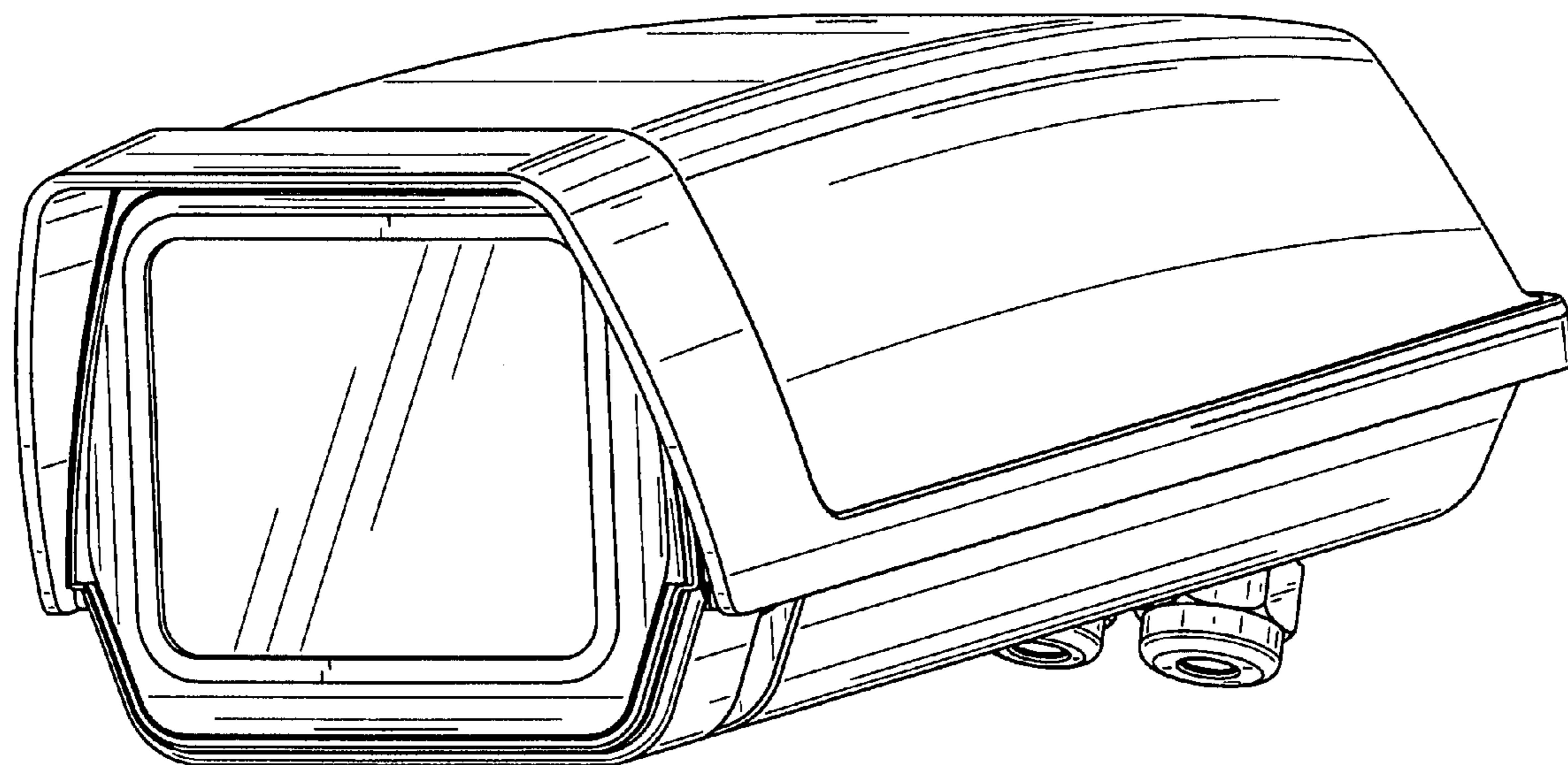
FIG. 4 is a right side elevational view thereof; and

FIG. 5 is a left side elevational view thereof;

FIG. 6 is a top plan view thereof; and,

FIG. 7 is a bottom plan view thereof.

1 Claim, 6 Drawing Sheets



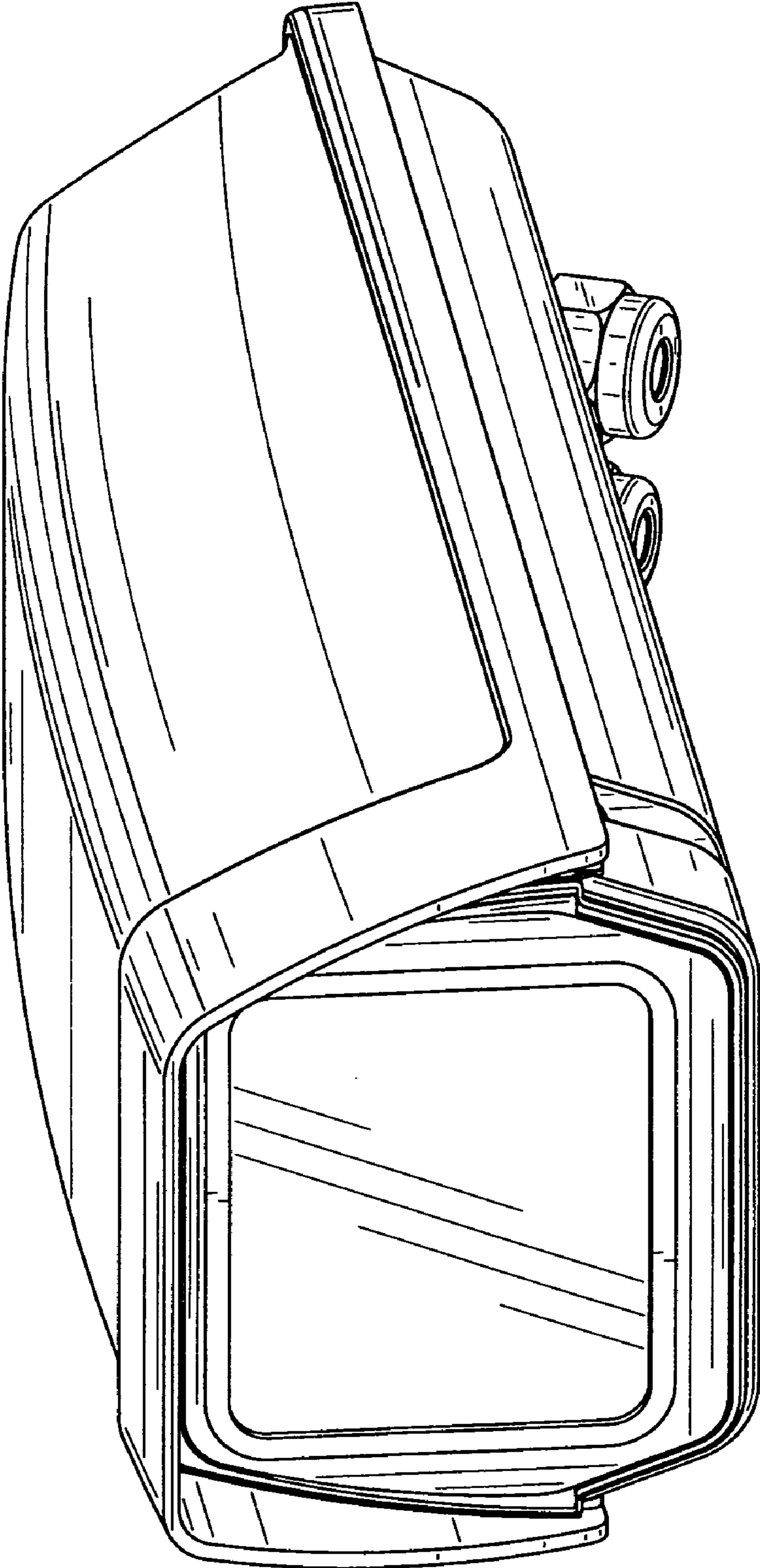


FIG. 1

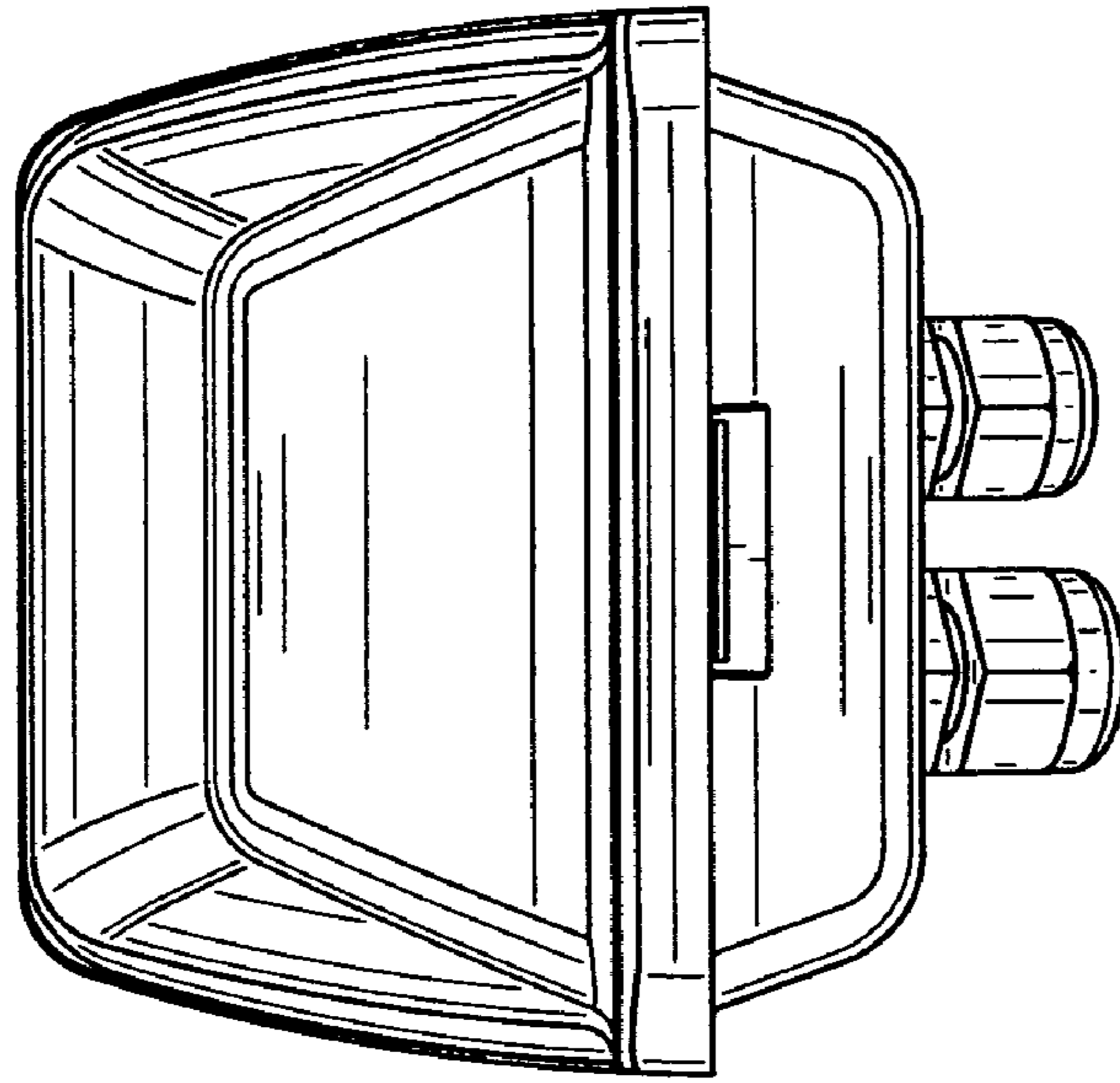


FIG. 3

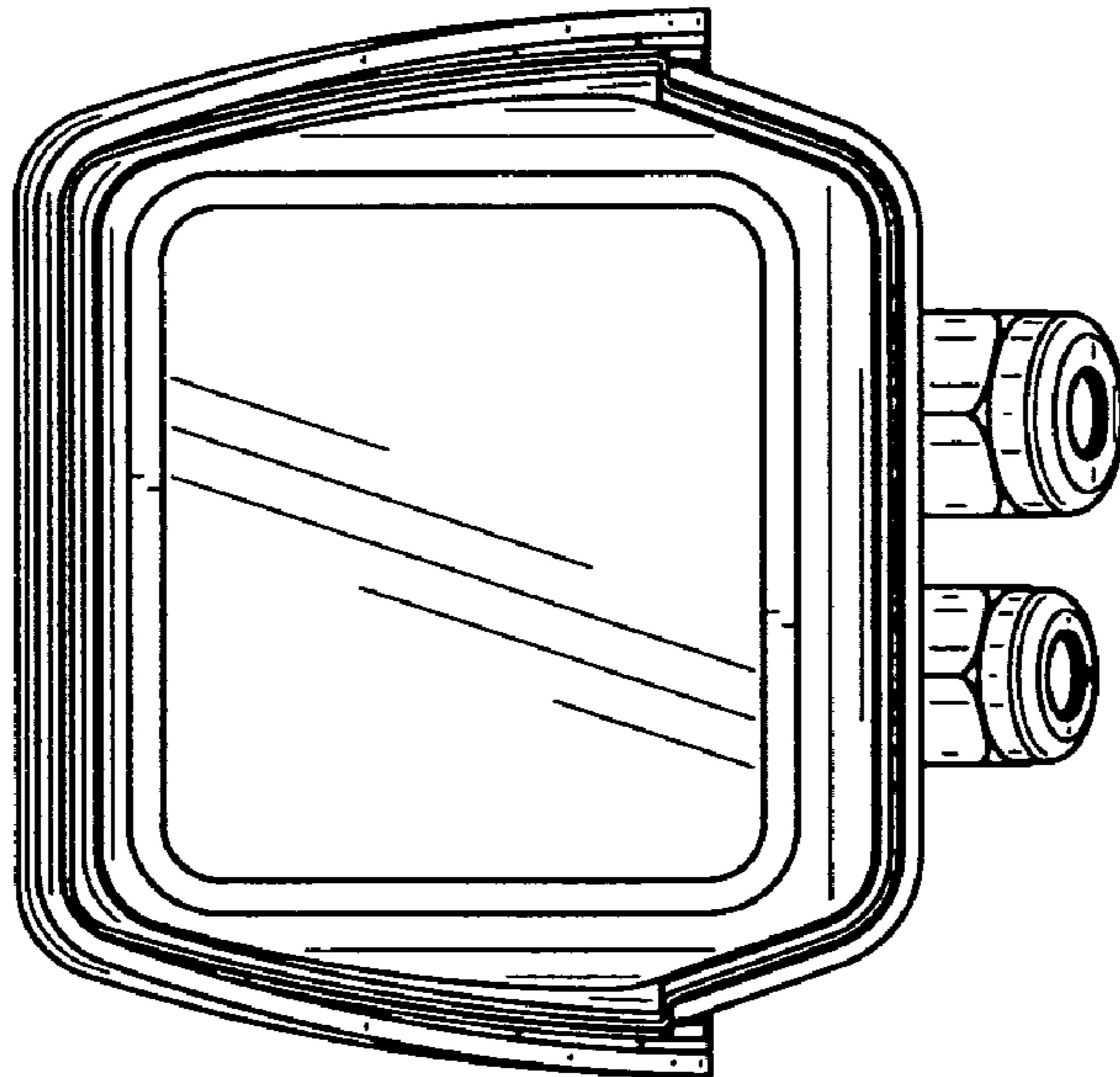


FIG. 2

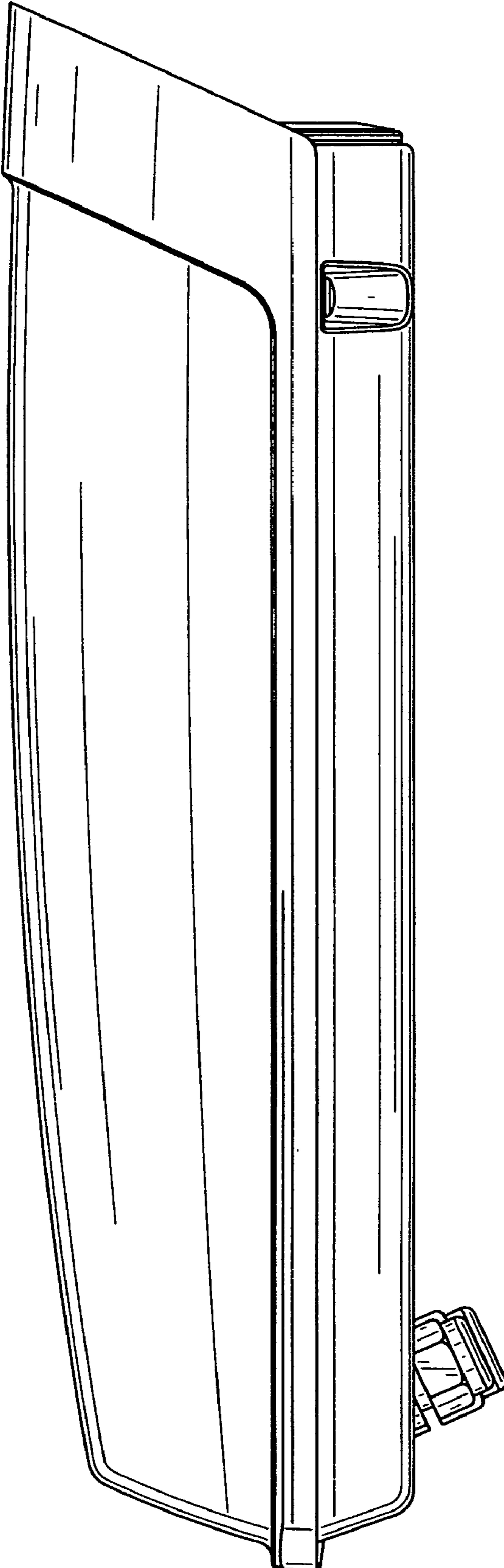


FIG. 4



FIG. 5

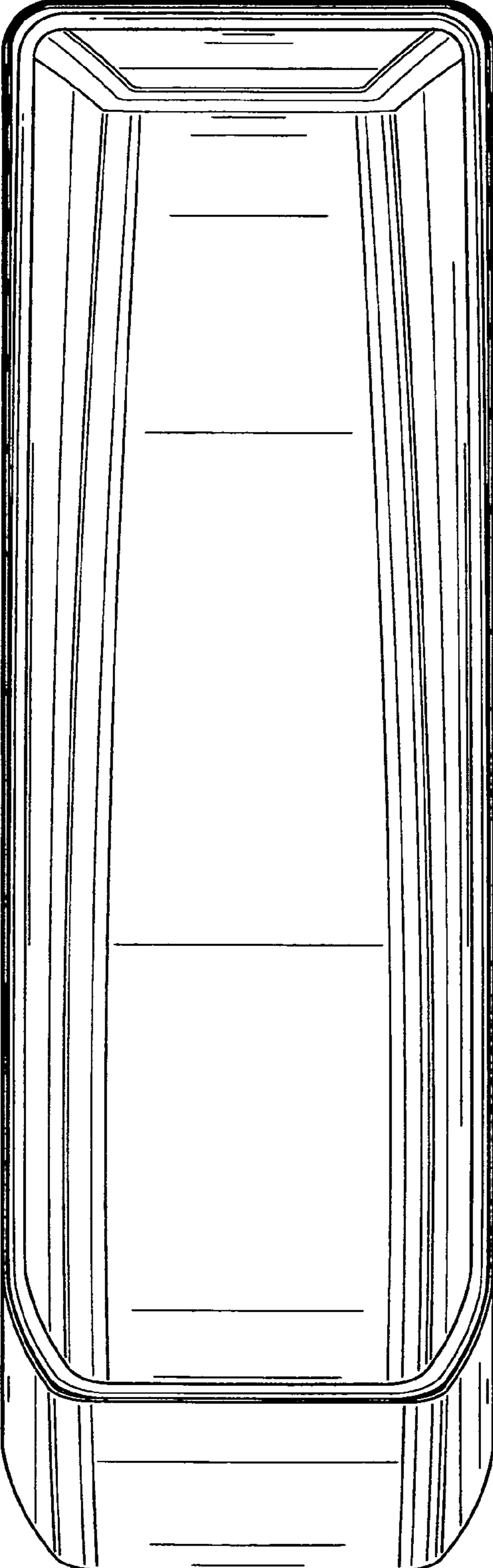


FIG. 6

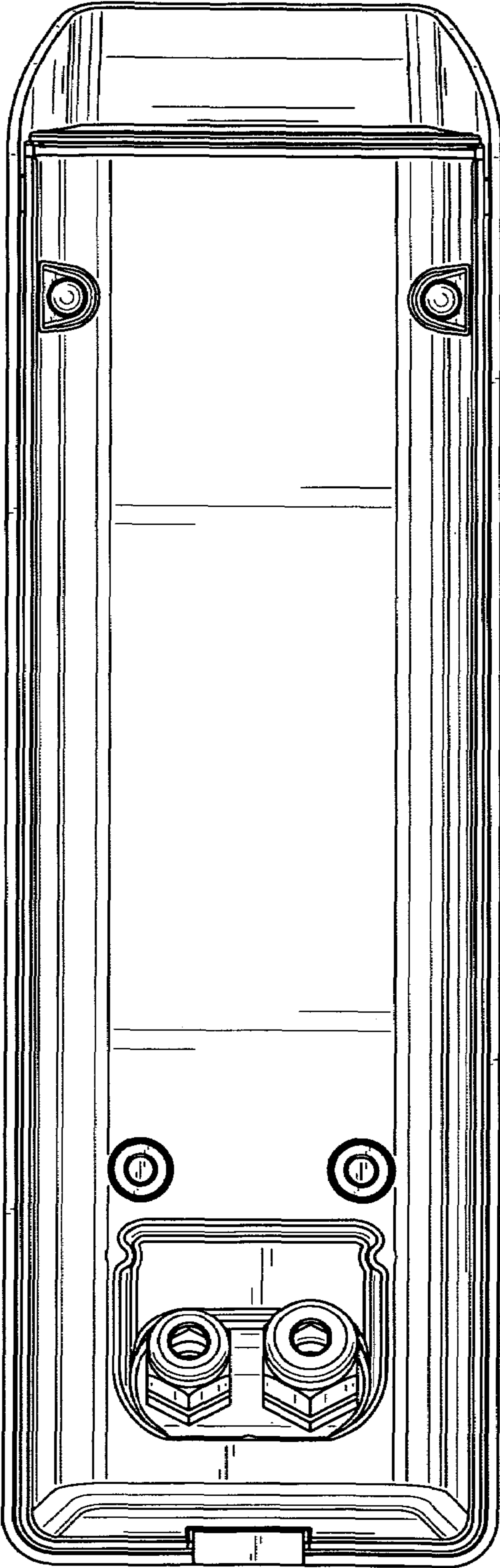


FIG. 7