



US00D607032S

(12) **United States Design Patent**
Halleck et al.

(10) **Patent No.:** **US D607,032 S**
(45) **Date of Patent:** **** Dec. 29, 2009**

(54) **ENDOSCOPE VIDEO CAMERA**

(75) Inventors: **Kevin E. Halleck**, Santa Barbara, CA (US); **Angeli Mancuso Ruiz**, Santa Barbara, CA (US); **Thomas J. Anhalt**, Goleta, CA (US); **Greg M. Chambers**, San Luis Obispo, CA (US)

(73) Assignee: **Karl Storz Imaging, Inc.**, Goleta, CA (US)

(**) Term: **14 Years**

(21) Appl. No.: **29/319,453**

(22) Filed: **Jun. 10, 2008**

(51) **LOC (9) Cl.** **16-01**

(52) **U.S. Cl.** **D16/202; D24/138**

(58) **Field of Classification Search** D16/200–205,
D16/208, 218, 219; D24/133, 137, 138;
348/45, 373–376; 396/535, 540, 541; 600/101,
600/118, 122

See application file for complete search history.

(56) **References Cited**

U.S. PATENT DOCUMENTS

5,882,295 A * 3/1999 Kope 600/122
D474,276 S * 5/2003 Greise et al. D16/219
D481,124 S * 10/2003 Hayamizu D24/138

D501,864 S * 2/2005 Greise et al. D16/219
D523,455 S * 6/2006 Greise et al. D16/202
D530,818 S * 10/2006 Lin D24/138
D587,804 S * 3/2009 Ruiz et al. D16/219

* cited by examiner

Primary Examiner—Adir Aronovich

(74) *Attorney, Agent, or Firm*—St. Onge Stewart Johnston & Reens LLC

(57) **CLAIM**

The ornamental design for an endoscope video camera, as shown and described.

DESCRIPTION

FIG. 1 is a front perspective view of an endoscope video camera in accordance with the new design;

FIG. 2 is a left side elevational view thereof;

FIG. 3 is a right side elevational view thereof;

FIG. 4 is a top plan view thereof;

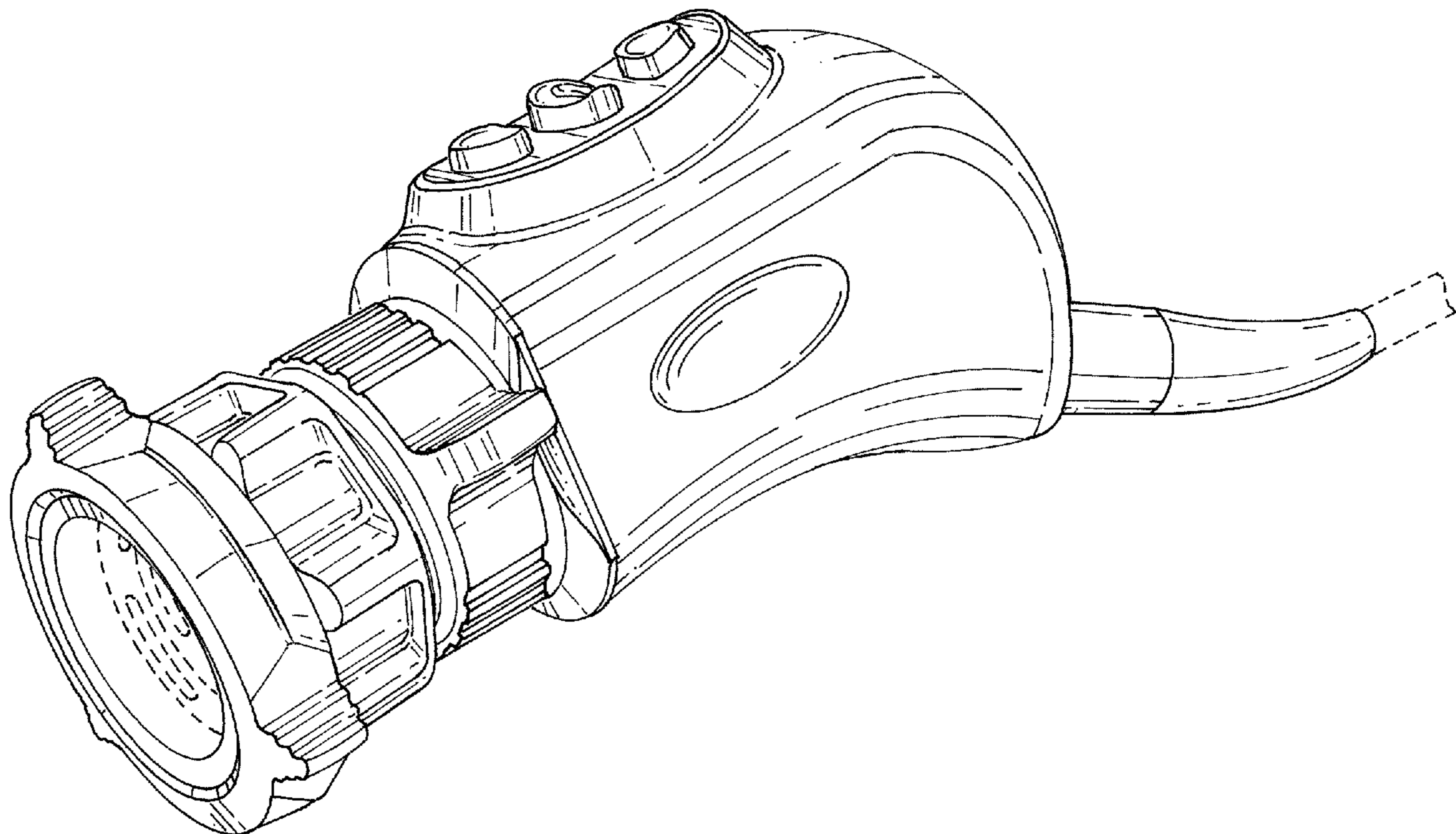
FIG. 5 is a bottom plan view thereof;

FIG. 6 is a front elevational view thereof; and,

FIG. 7 is a rear elevational view thereof.

The broken lines are shown to illustrate environment only and form no part of the claimed design.

1 Claim, 7 Drawing Sheets



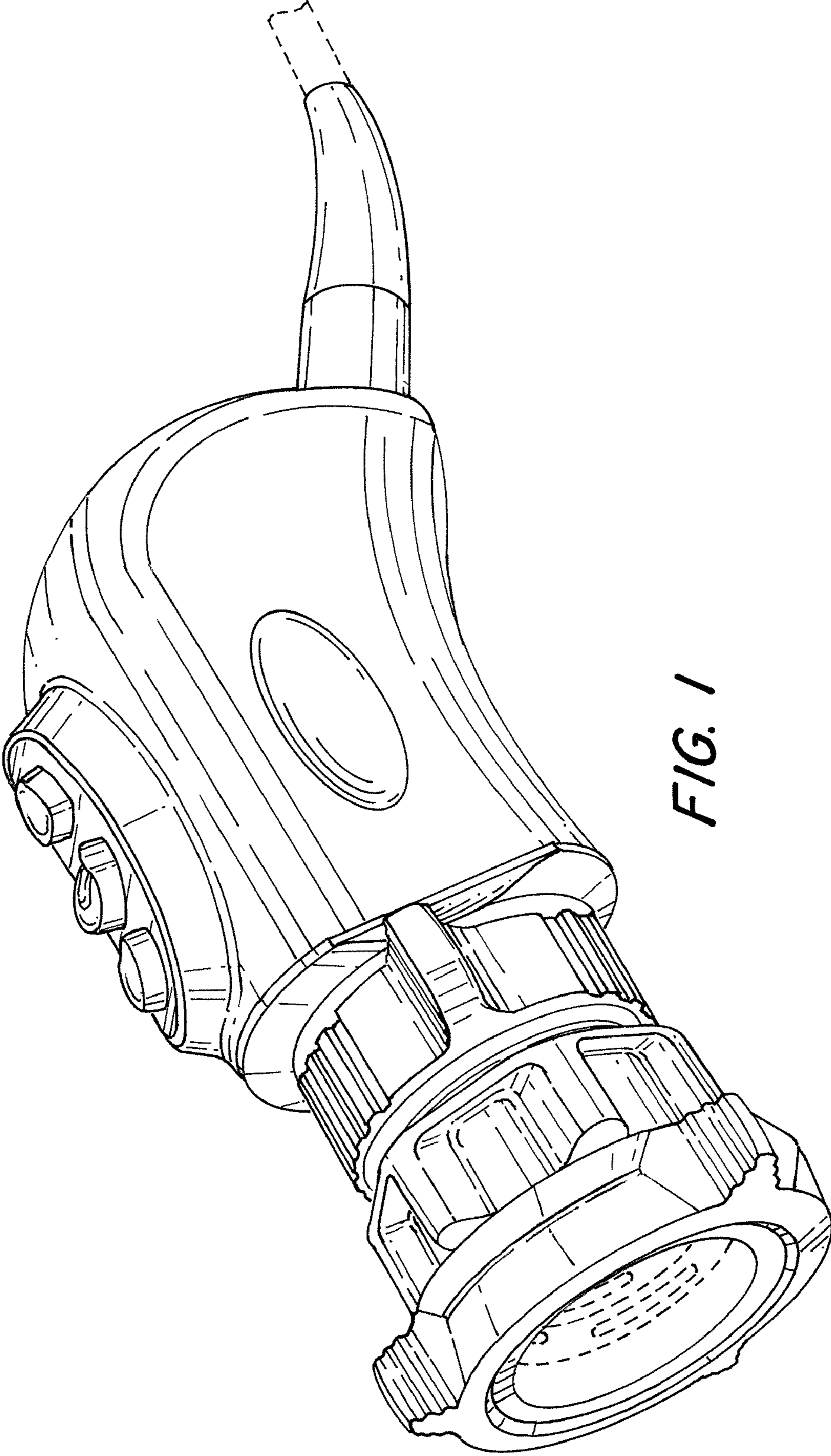


FIG. 1

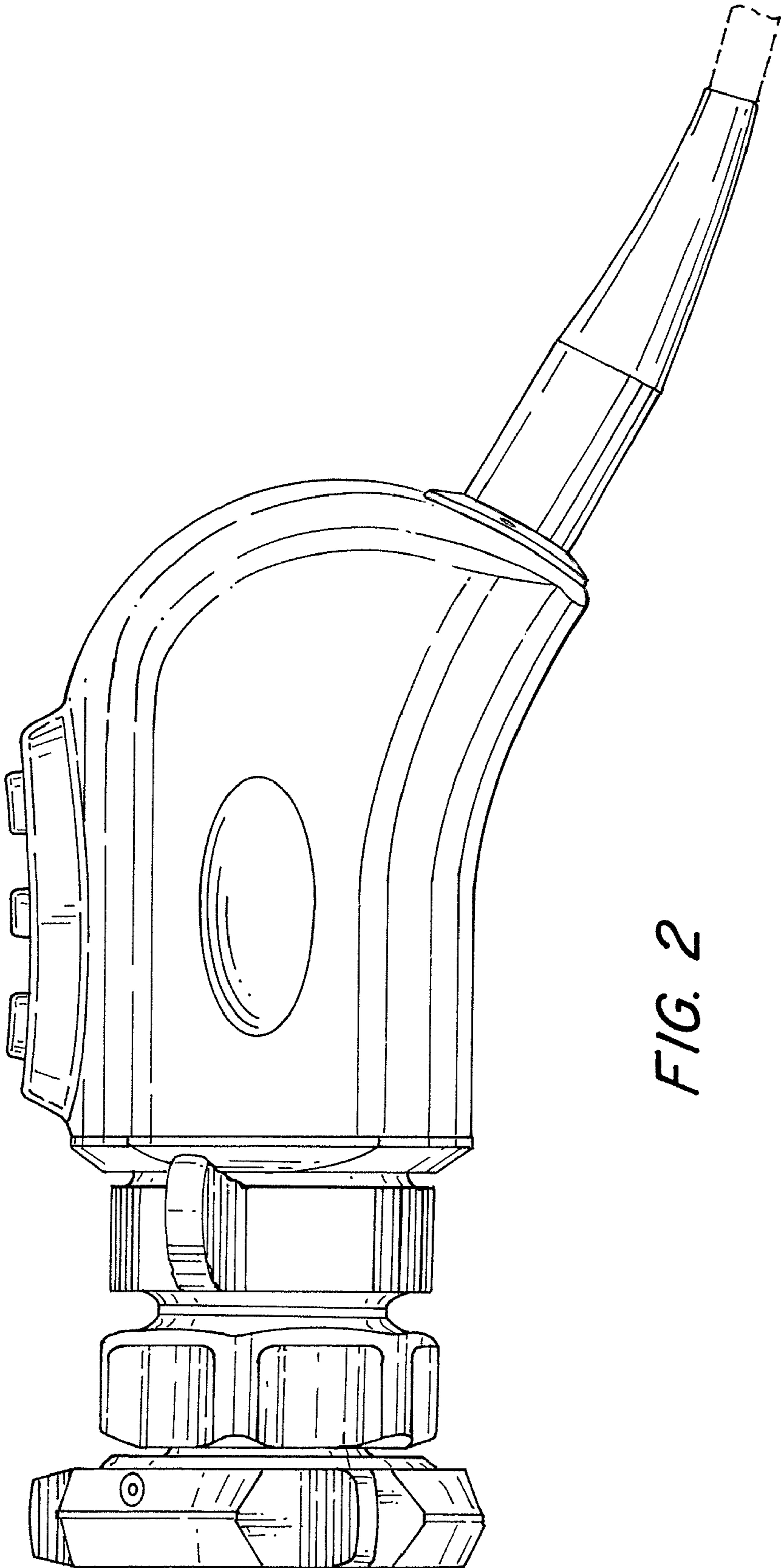


FIG. 2

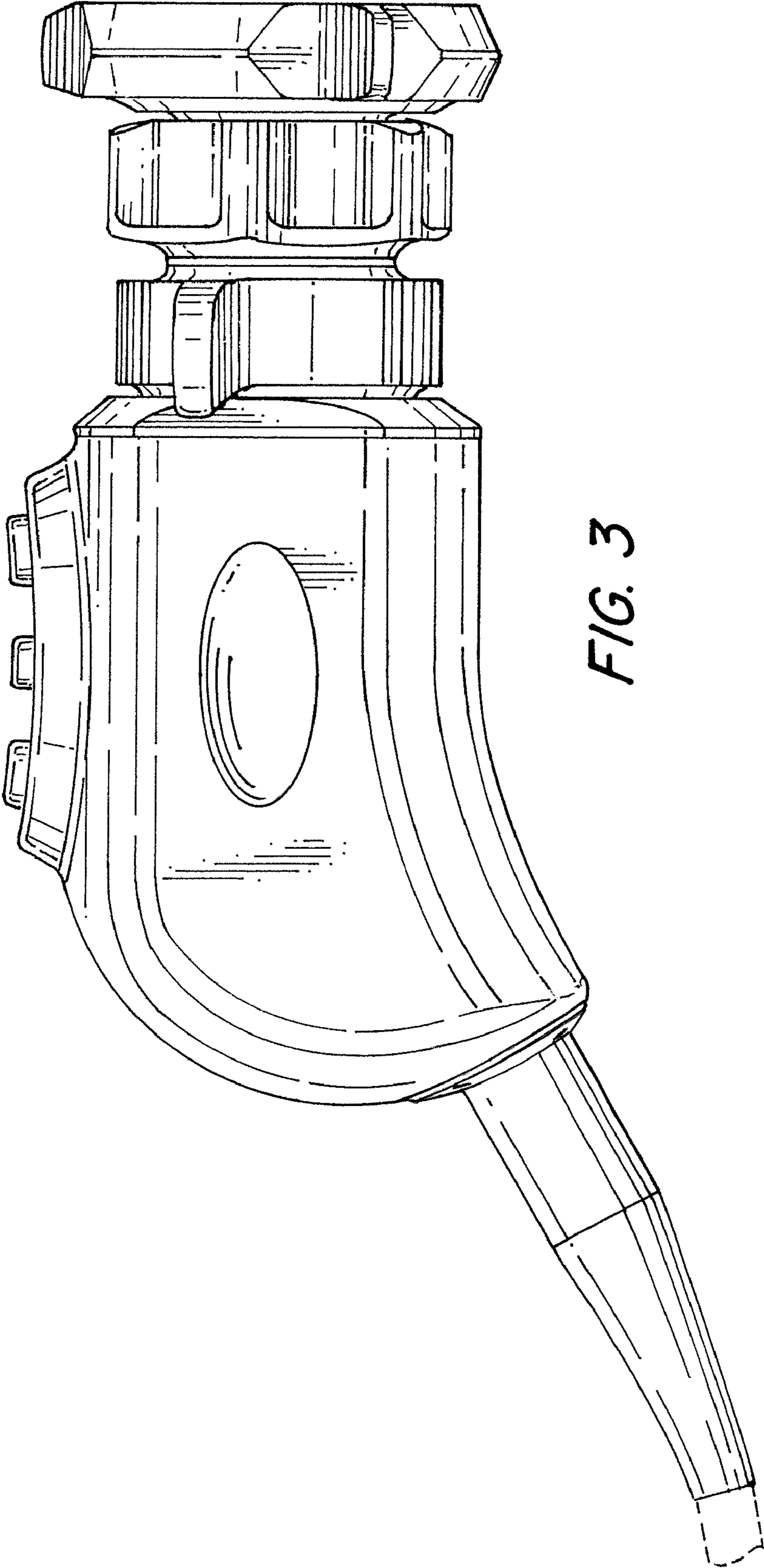


FIG. 3

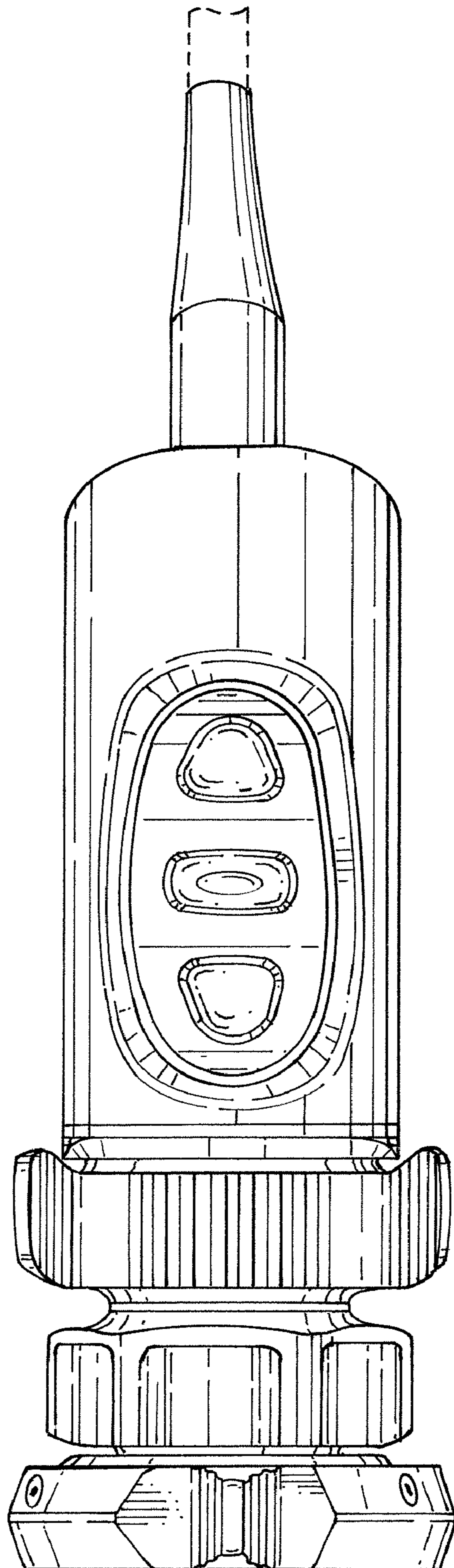


FIG. 4

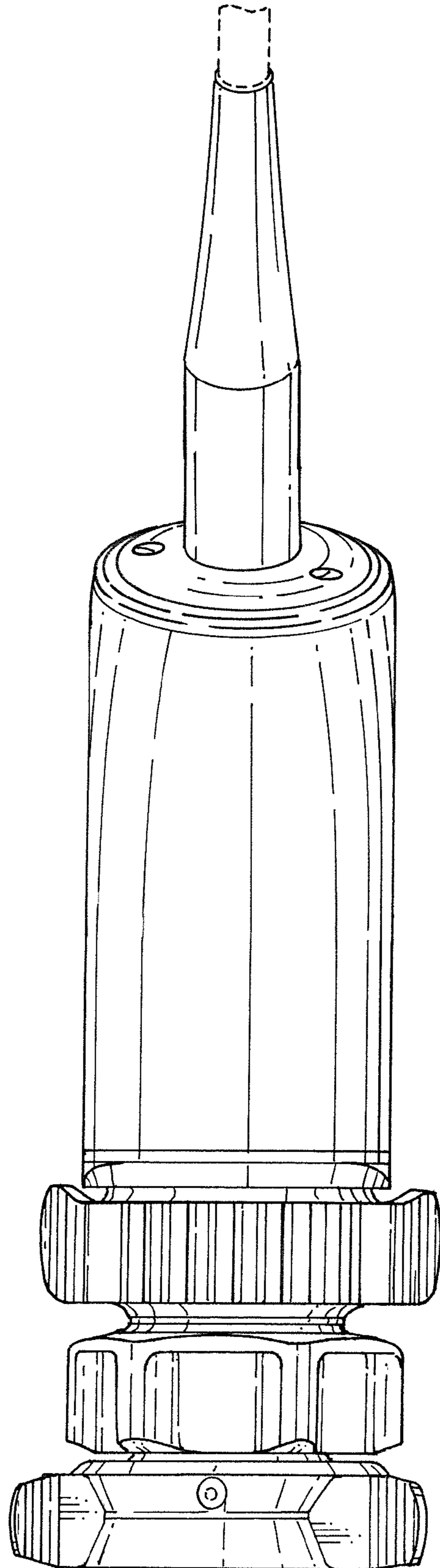


FIG. 5

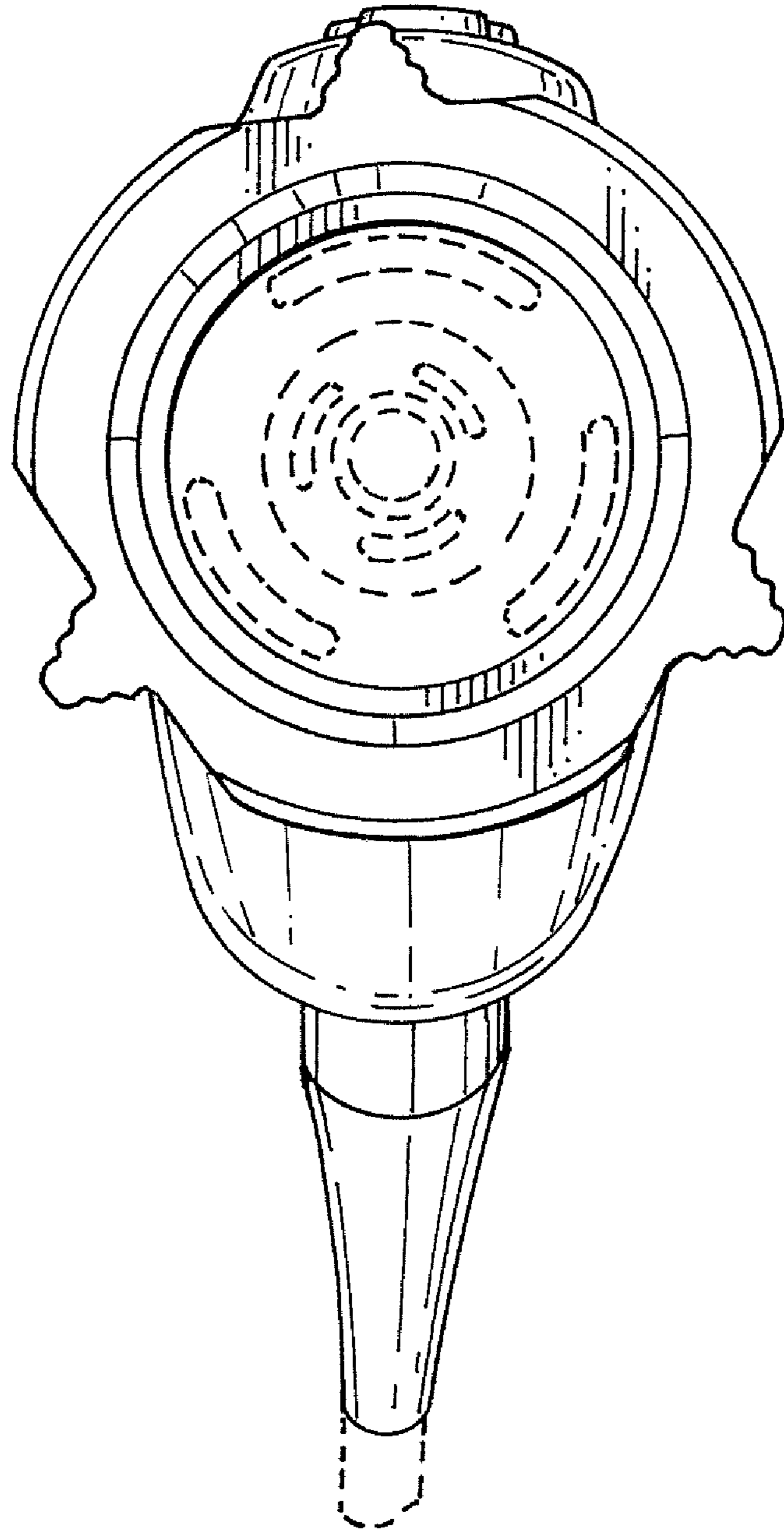


FIG. 6

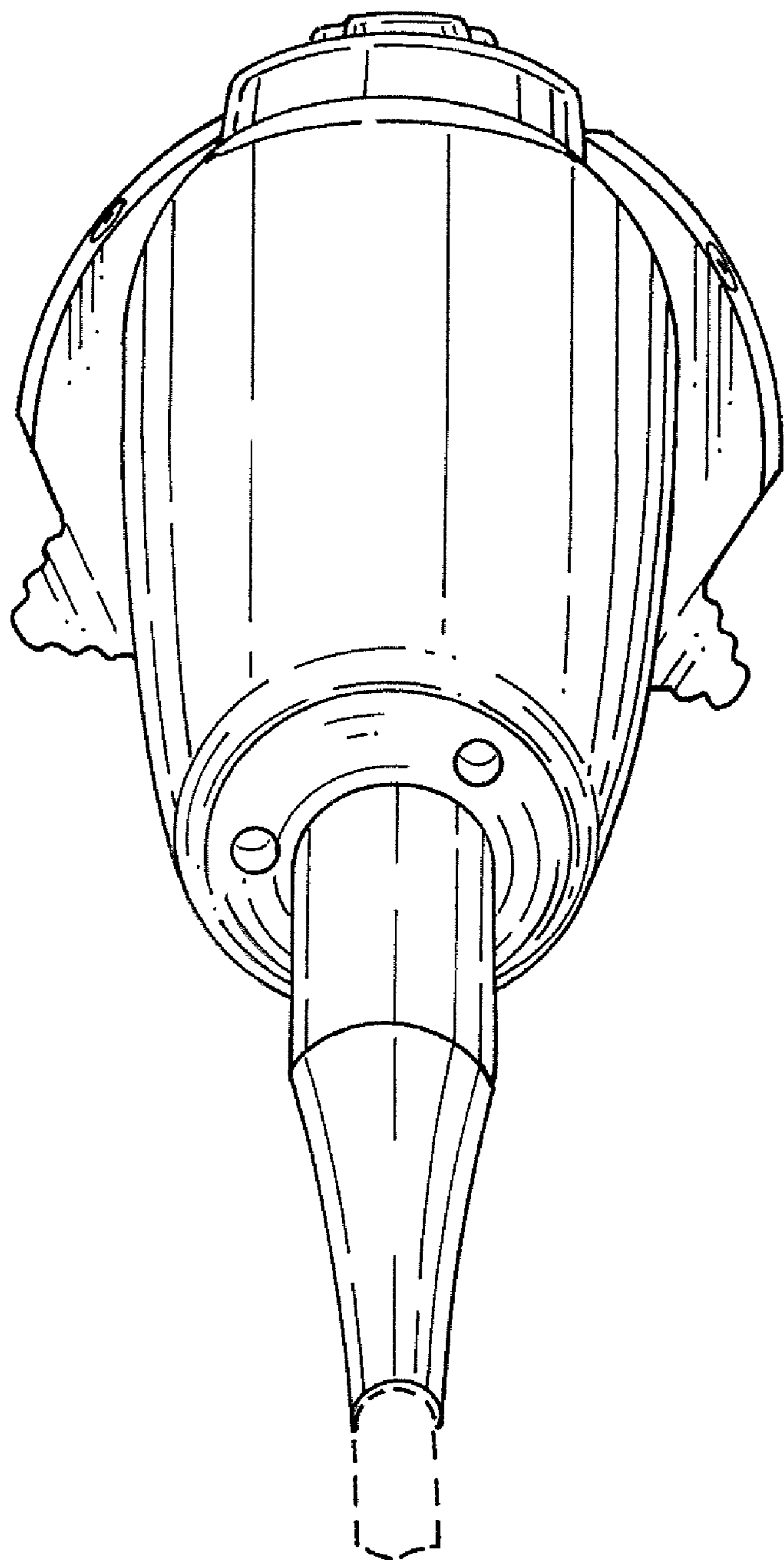


FIG. 7