



US00D607031S

(12) **United States Design Patent**
Hoelbl

(10) **Patent No.:** **US D607,031 S**
(45) **Date of Patent:** **** Dec. 29, 2009**

(54) **MICROSCOPE**

(75) Inventor: **Werner Hoelbl**, Vienna (AT)

(73) Assignee: **Leica Microsystems (Schweiz) AG**,
Heerbrugg (CH)

(**) Term: **14 Years**

(21) Appl. No.: **29/311,060**

(22) Filed: **Dec. 17, 2008**

(30) **Foreign Application Priority Data**

Jun. 24, 2008 (DE) 40 2008 002 990

(51) **LOC (9) Cl.** **16-06**

(52) **U.S. Cl.** **D16/131**

(58) **Field of Classification Search** D16/130,
D16/131, 134; 359/368, 371, 376, 381, 382,
359/383, 384, 385, 388, 390, 393, 372, 397;
250/201.3; 353/39

See application file for complete search history.

(56) **References Cited**

U.S. PATENT DOCUMENTS

- 1,129,502 A * 2/1915 Ott 359/390
- 1,505,418 A * 8/1924 Ott 359/390
- D95,670 S * 5/1935 Fassin D16/131
- 2,170,967 A * 8/1939 Eppenstein et al. 353/39
- 3,064,529 A * 11/1962 Straat 359/384
- 3,166,628 A * 1/1965 Walter 359/392
- 3,260,157 A * 7/1966 Boughton 359/379
- D215,889 S * 11/1969 Suzuki D16/131
- 3,721,827 A * 3/1973 Reinheimer 250/201.3
- 4,168,881 A * 9/1979 Rosenberger 359/381
- 4,283,111 A * 8/1981 Wieber et al. 359/381
- 4,299,440 A * 11/1981 Hodgson 359/393
- D265,206 S * 6/1982 Weber et al. D16/131
- D273,592 S * 4/1984 Armbruster D16/131
- D273,685 S * 5/1984 Yamada D16/131
- 4,573,771 A * 3/1986 Hill 359/383
- D291,702 S * 9/1987 Kahute D16/131

- D296,904 S * 7/1988 Lukaszewski D16/131
- D299,357 S * 1/1989 Garnich et al. D16/131
- D345,746 S * 4/1994 Holbl D16/131
- D345,747 S * 4/1994 Holbl D16/131
- D345,749 S * 4/1994 Hofmann-Igl D16/131
- D354,761 S * 1/1995 Komatsuzaki et al. D26/131
- D395,664 S * 6/1998 Nojima et al. D16/131
- D400,548 S * 11/1998 Komatsuzaki D16/131
- D417,880 S * 12/1999 Wani et al. D16/131
- D420,028 S * 2/2000 Wani et al. D16/131
- 6,094,299 A * 7/2000 Schau et al. 359/383
- D439,258 S * 3/2001 Kawahata D16/131
- 6,479,807 B1 * 11/2002 Toshimitsu 250/201.3
- D511,786 S * 11/2005 Apotheloz et al. D16/131
- D525,636 S * 7/2006 Apotheloz D16/131
- 7,088,505 B2 * 8/2006 Harrison et al. 359/392
- 7,167,303 B2 * 1/2007 Gilbert 359/368
- 7,262,906 B2 * 8/2007 Gilbert et al. 359/368

* cited by examiner

Primary Examiner—Paula Greene

(74) *Attorney, Agent, or Firm*—Crowell & Moring LLP

(57) **CLAIM**

The ornamental design for a microscope, as shown and described.

DESCRIPTION

This application is related to co-pending application Ser. No. 29/311.059, entitled “Microscope”.

FIG. 1 is a right perspective view of a microscope showing my new design;

FIG. 2 is a right side view thereof;

FIG. 3 is a left side view thereof;

FIG. 4 is a rear view thereof;

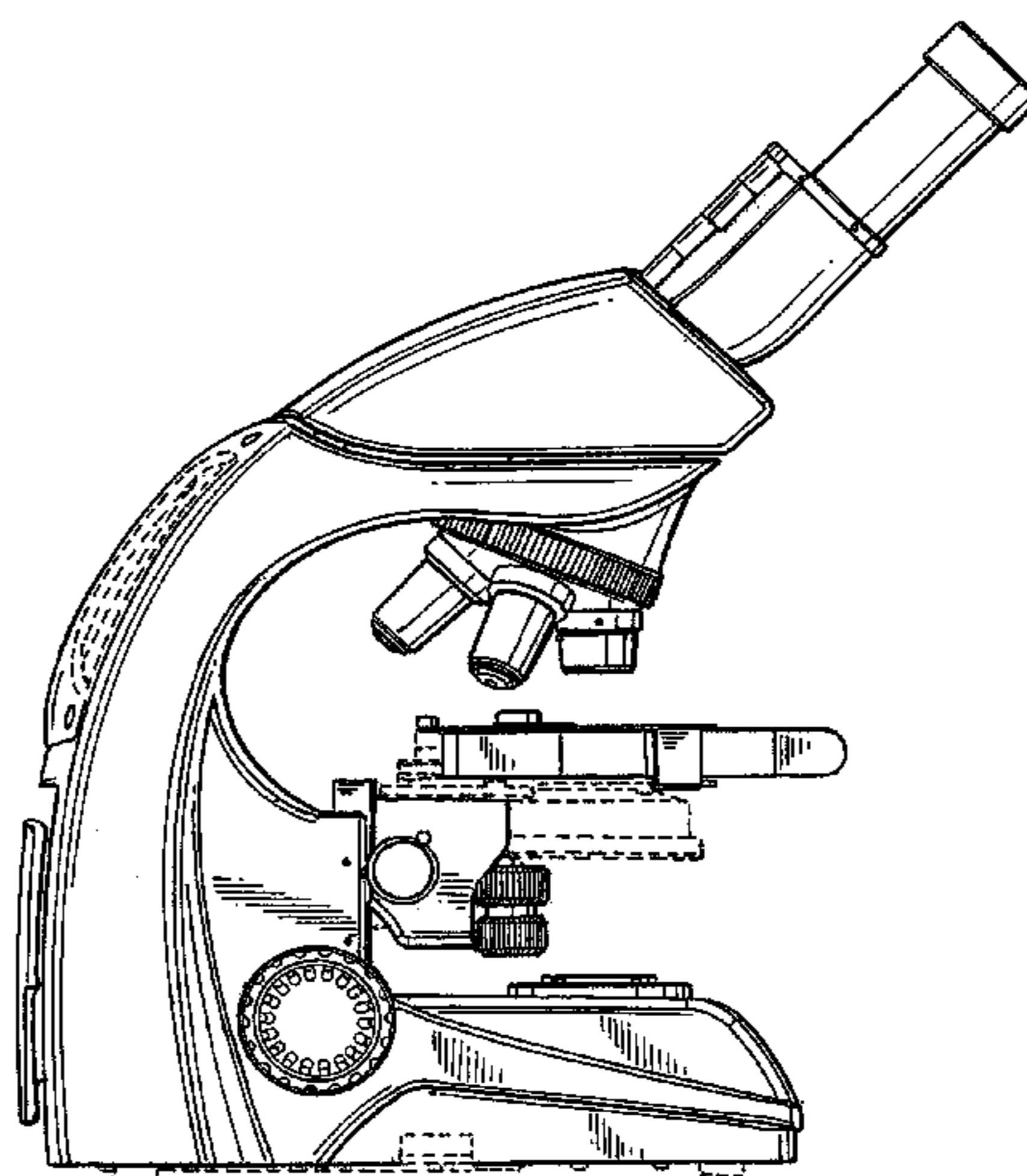
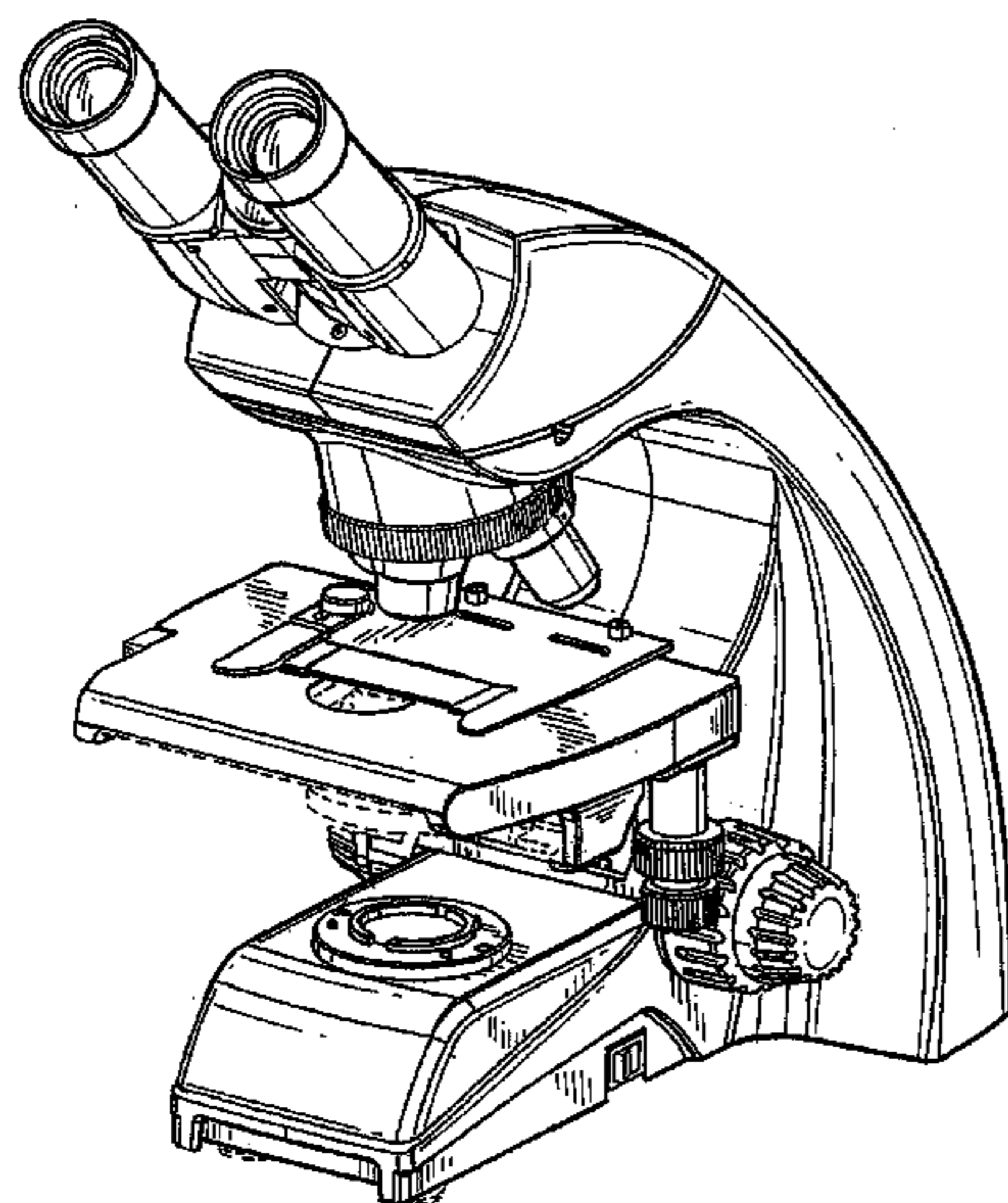
FIG. 5 is a front view thereof;

FIG. 6 is a top view thereof; and,

FIG. 7 is a bottom view thereof.

The broken lines form no part of the claimed design.

1 Claim, 6 Drawing Sheets



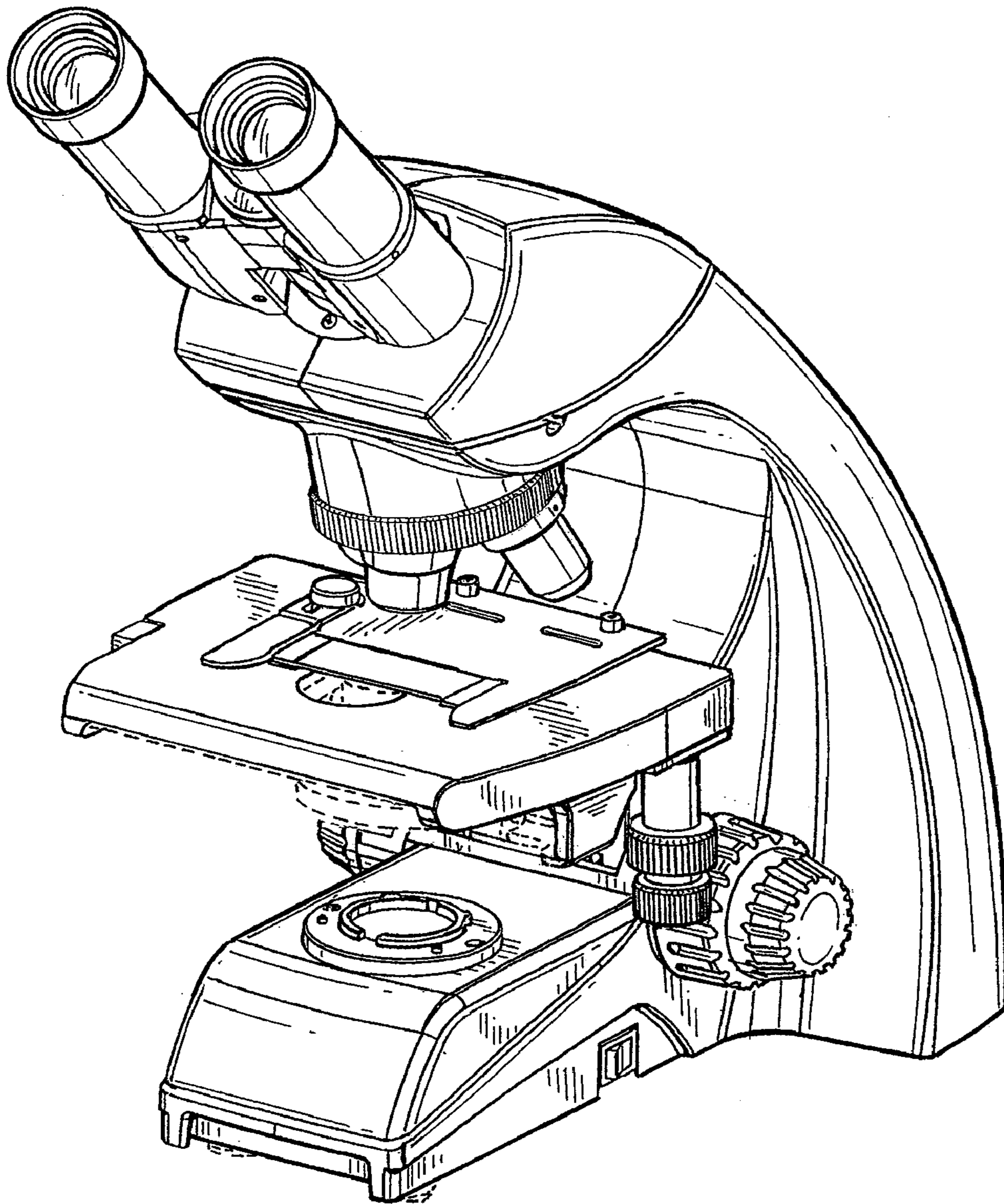


FIG. 1

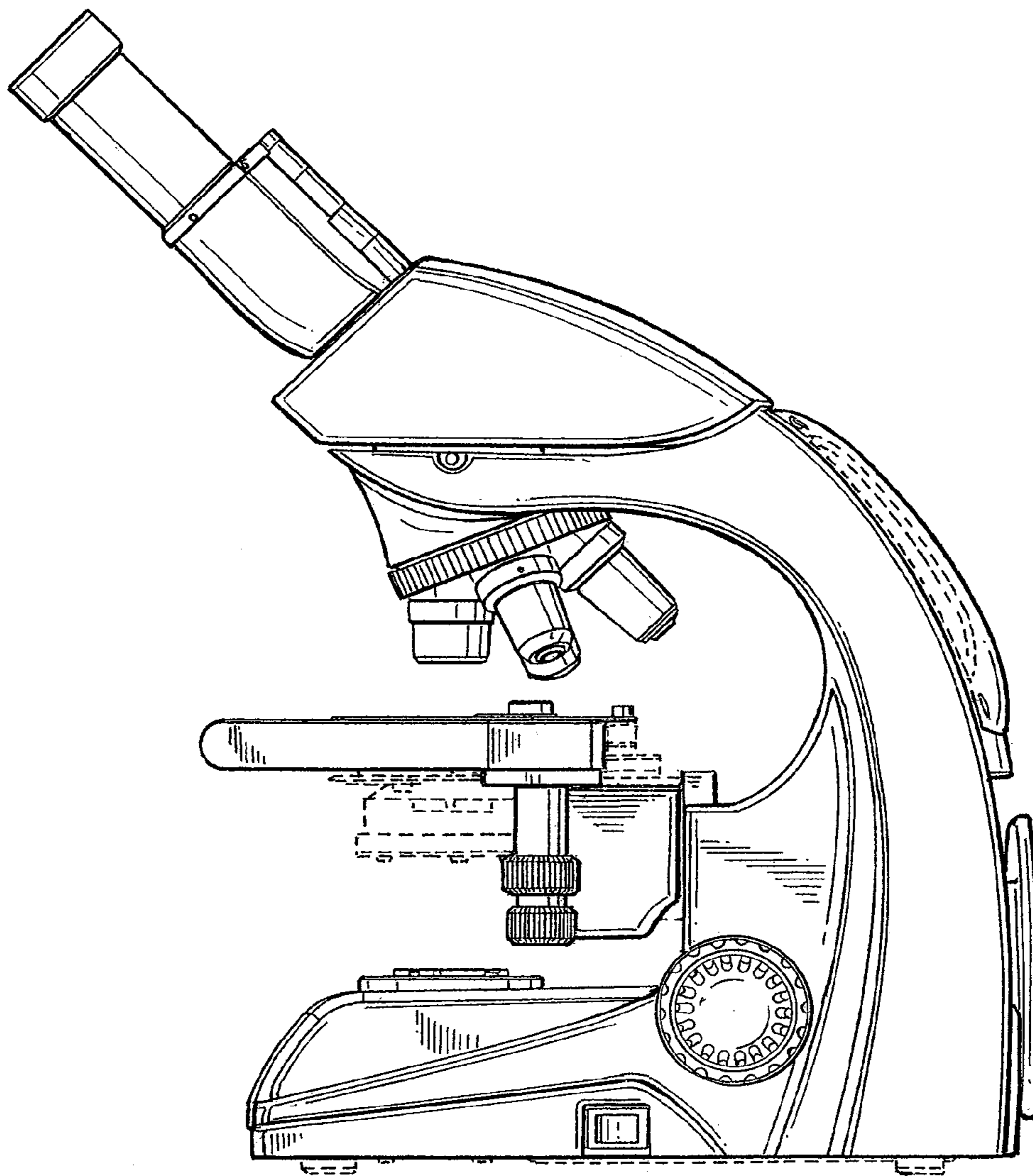


FIG. 2

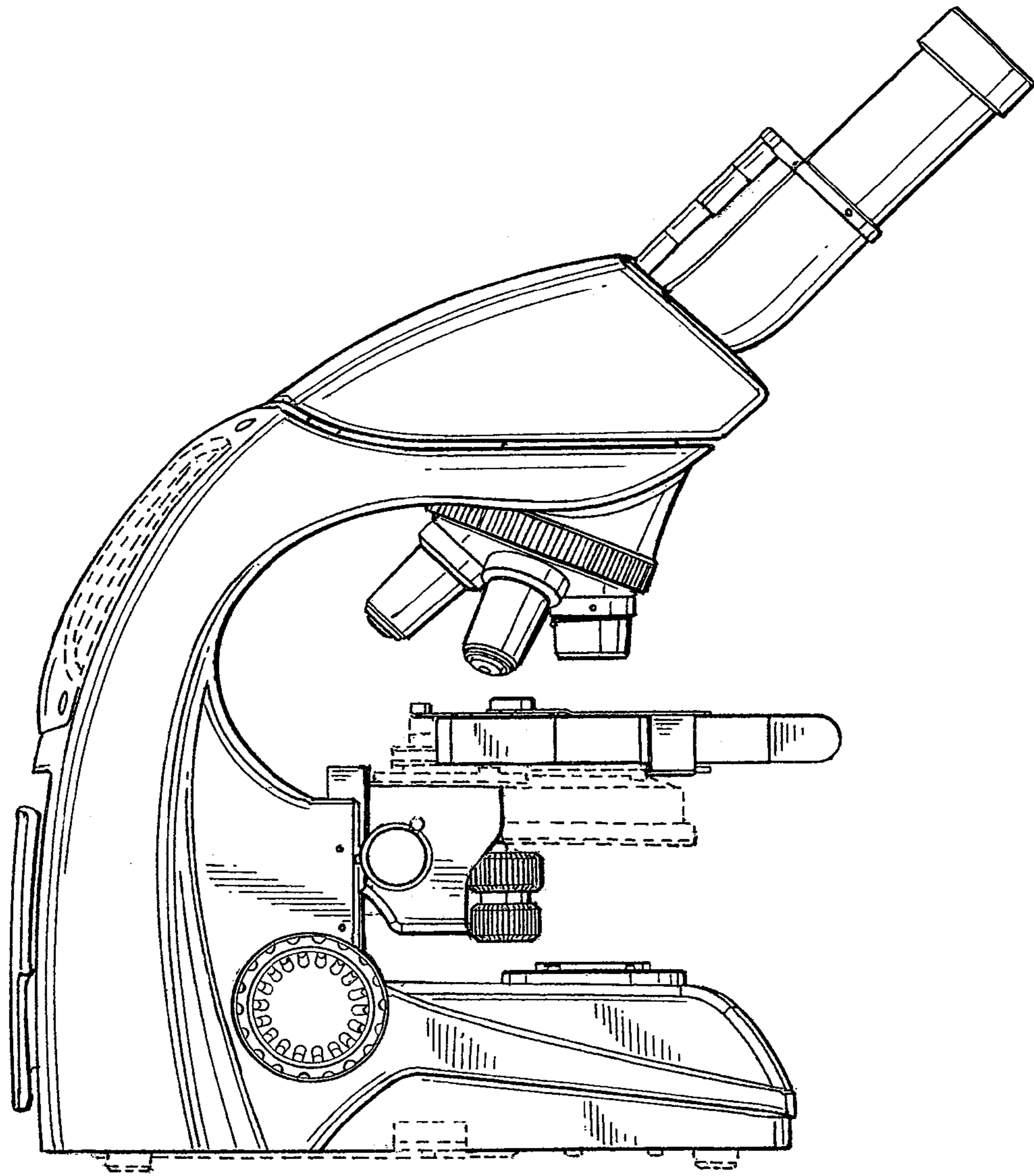


FIG. 3

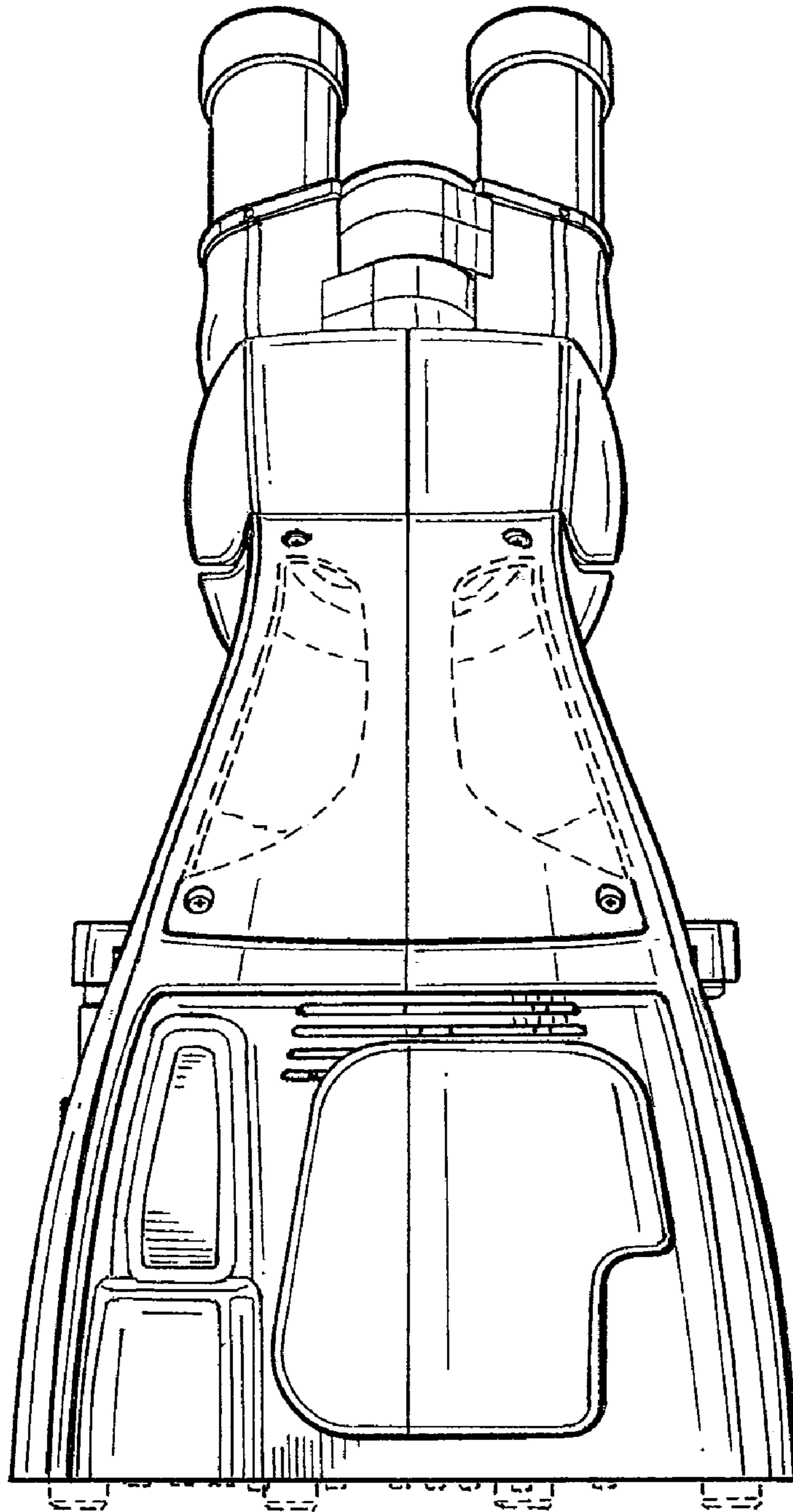


FIG. 4

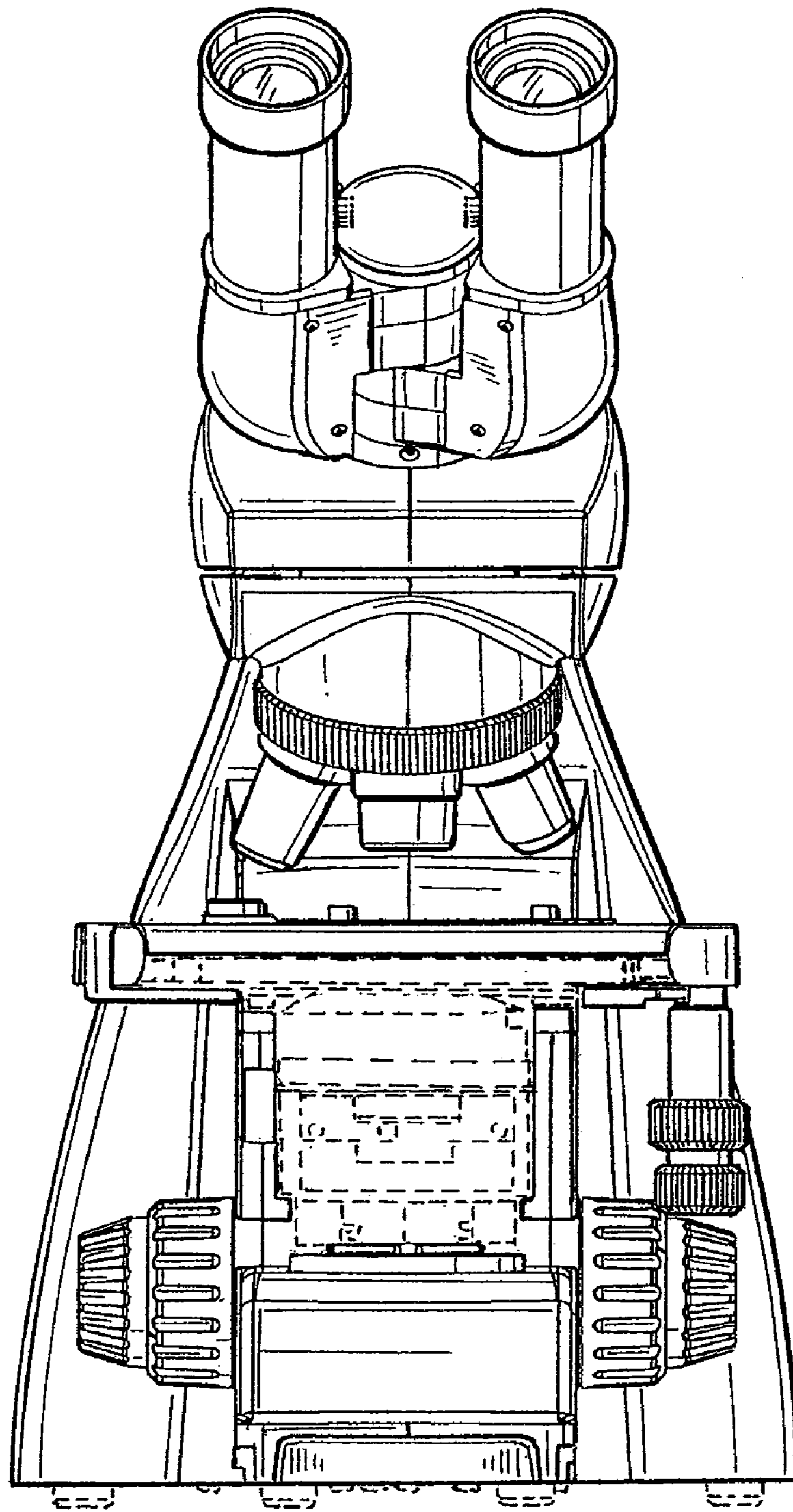


FIG. 5

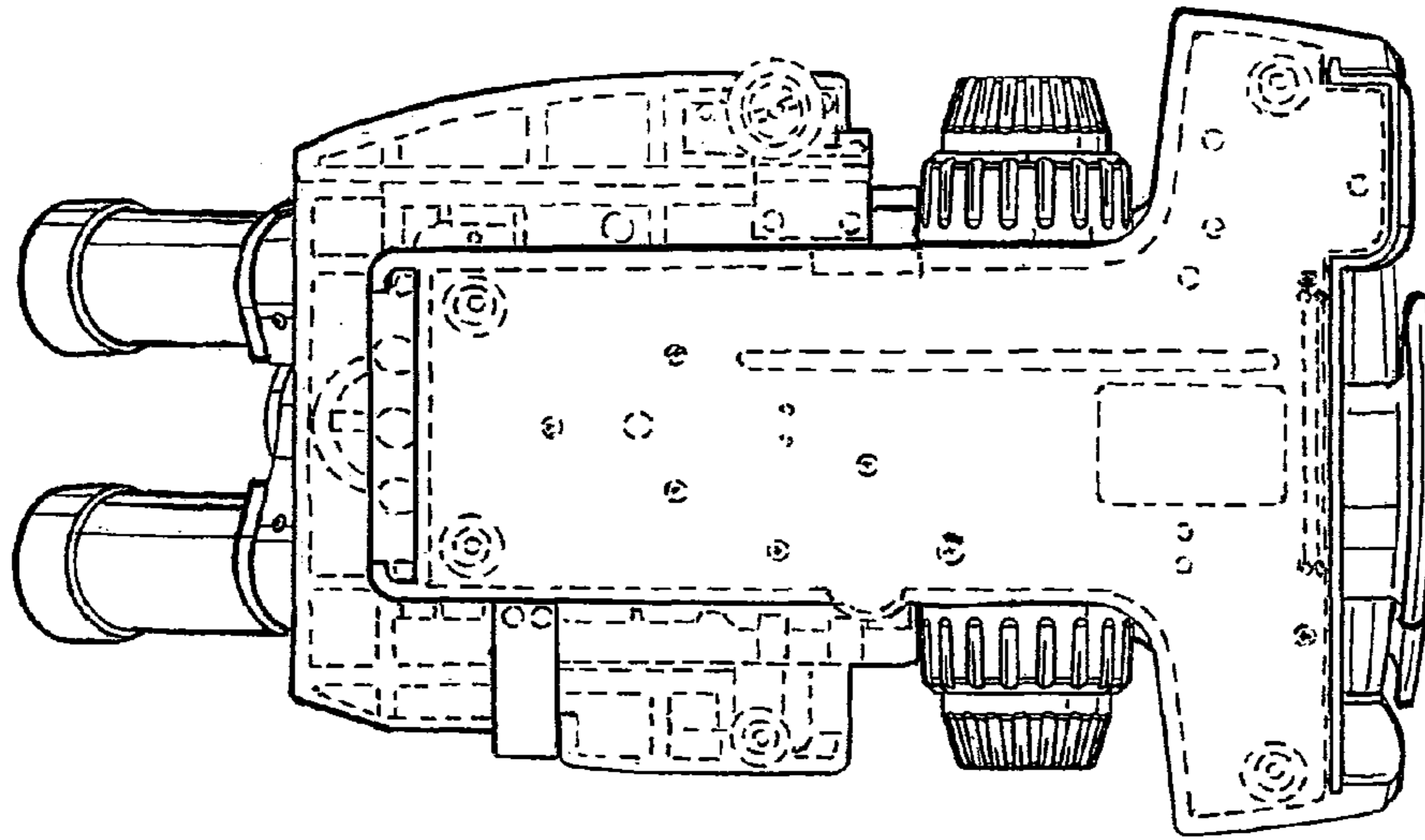


FIG. 6

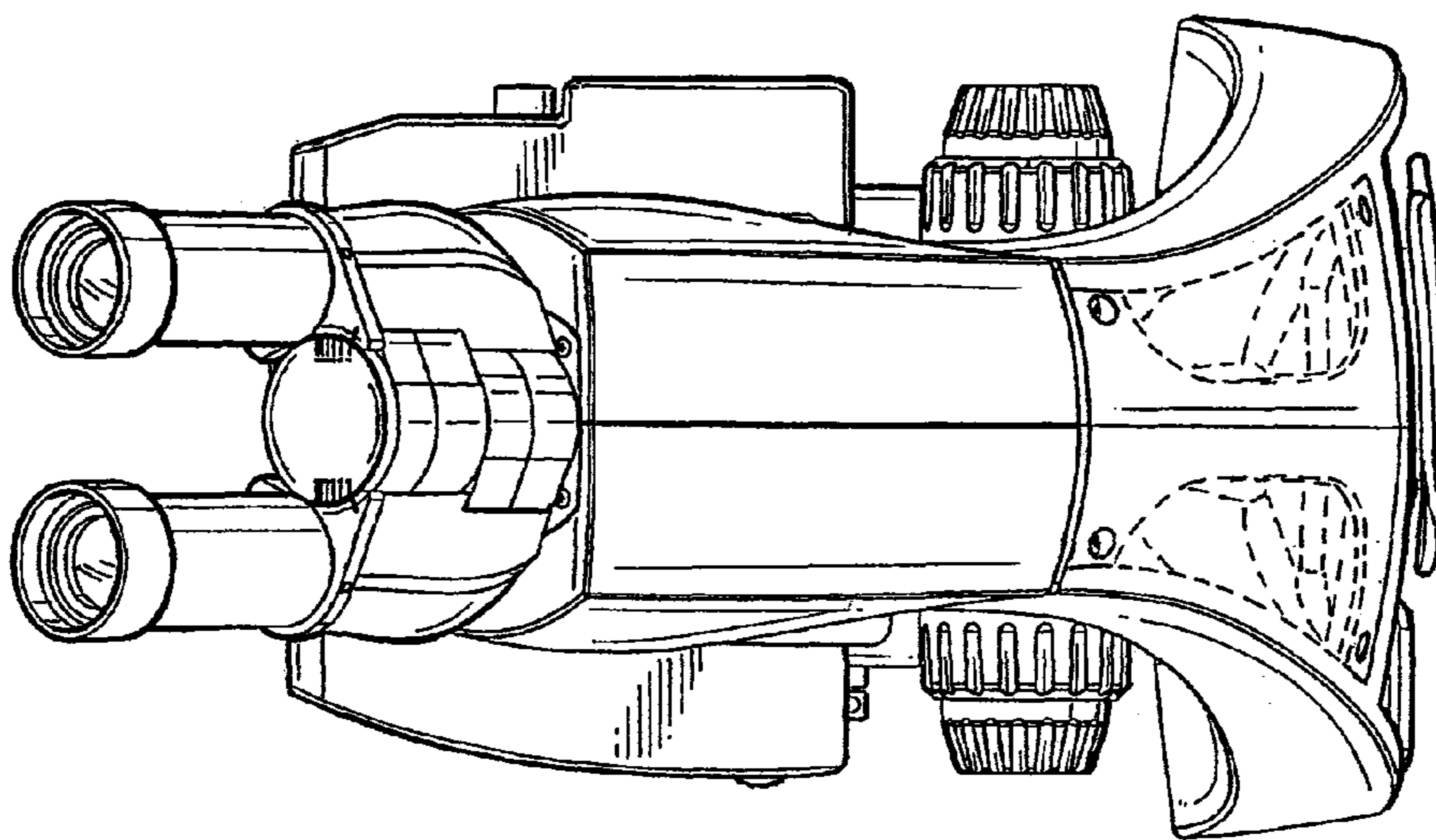


FIG. 7