



US00D607030S

(12) **United States Design Patent**  
**Hoelbl**

(10) **Patent No.:** **US D607,030 S**  
(45) **Date of Patent:** **\*\* Dec. 29, 2009**

(54) **MICROSCOPE**

(75) Inventor: **Werner Hoelbl**, Vienna (AT)

(73) Assignee: **Leica Microsystems (Schweiz) AG**,  
Heerbrugg (CH)

(\*\*) Term: **14 Years**

(21) Appl. No.: **29/311,059**

(22) Filed: **Dec. 17, 2008**

(30) **Foreign Application Priority Data**

Jun. 24, 2008 (DE) ..... 40 2008 002 990

(51) **LOC (9) Cl.** ..... **16-06**

(52) **U.S. Cl.** ..... **D16/131**

(58) **Field of Classification Search** ..... D16/130,  
D16/131, 134; 359/368, 371, 376, 381, 382,  
359/383, 384, 385, 388, 390, 393, 372, 397,  
359/392; 250/201.3; 353/39

See application file for complete search history.

(56) **References Cited**

**U.S. PATENT DOCUMENTS**

1,129,502	A *	2/1915	Ott	.....	359/390
1,505,418	A *	8/1924	Ott	.....	359/390
D95,670	S *	5/1935	Fassin	.....	D16/131
2,170,967	A *	8/1939	Eppenstein et al.	.....	353/39
3,064,529	A *	11/1962	Straat	.....	359/384
3,166,628	A *	1/1965	Walter	.....	359/392
3,260,157	A *	7/1966	Boughton	.....	359/379
D215,889	S *	11/1969	Suzuki	.....	D16/131
3,721,827	A *	3/1973	Reinheimer	.....	250/201.3
3,889,279	A *	6/1975	Klemann et al.	.....	396/432
4,168,881	A *	9/1979	Rosenberger	.....	359/381
4,283,111	A *	8/1981	Wieber et al.	.....	359/381
4,299,440	A *	11/1981	Hodgson	.....	359/393
D265,206	S *	6/1982	Weber et al.	.....	D16/131
D273,592	S *	4/1984	Armbruster	.....	D16/131
D273,685	S *	5/1984	Yamada	.....	D16/131
4,573,771	A *	3/1986	Hill	.....	359/383
D291,702	S *	9/1987	Kahute	.....	D16/131

D296,904	S *	7/1988	Lukaszewski	.....	D16/131
D299,357	S *	1/1989	Garnich et al.	.....	D16/131
D345,746	S *	4/1994	Holbl	.....	D16/131
D345,747	S *	4/1994	Holbl	.....	D16/131
D345,749	S *	4/1994	Hofmann-Igl	.....	D16/131
D354,761	S *	1/1995	Komatsuzaki et al.	.....	D16/131
D395,664	S *	6/1998	Nojima et al.	.....	D16/131
D400,548	S *	11/1998	Komatsuzaki	.....	D16/131
D417,880	S *	12/1999	Wani et al.	.....	D16/131
D420,028	S *	2/2000	Wani et al.	.....	D16/131
6,094,299	A *	7/2000	Schau et al.	.....	359/383
D439,258	S *	3/2001	Kawahata	.....	D16/131
6,479,807	B1 *	11/2002	Toshimitsu	.....	250/201.3
D511,786	S *	11/2005	Apotheloz et al.	.....	D16/131
D525,636	S *	7/2006	Apotheloz	.....	D16/131
7,088,505	B2 *	8/2006	Harrison et al.	.....	359/392
7,167,303	B2 *	1/2007	Gilbert	.....	359/368
7,262,906	B2 *	8/2007	Gilbert et al.	.....	359/368

\* cited by examiner

*Primary Examiner*—Paula Greene

(74) *Attorney, Agent, or Firm*—Crowell & Moring LLP

(57) **CLAIM**

The ornamental design for a microscope, as shown and described.

**DESCRIPTION**

This application is related to co-pending application Ser. No. 29/311,060, entitled “Microscope”.

FIG. 1 is a front, right perspective view of a microscope showing my new design;

FIG. 2 is a right side view thereof;

FIG. 3 is a left side view thereof;

FIG. 4 is a rear view thereof;

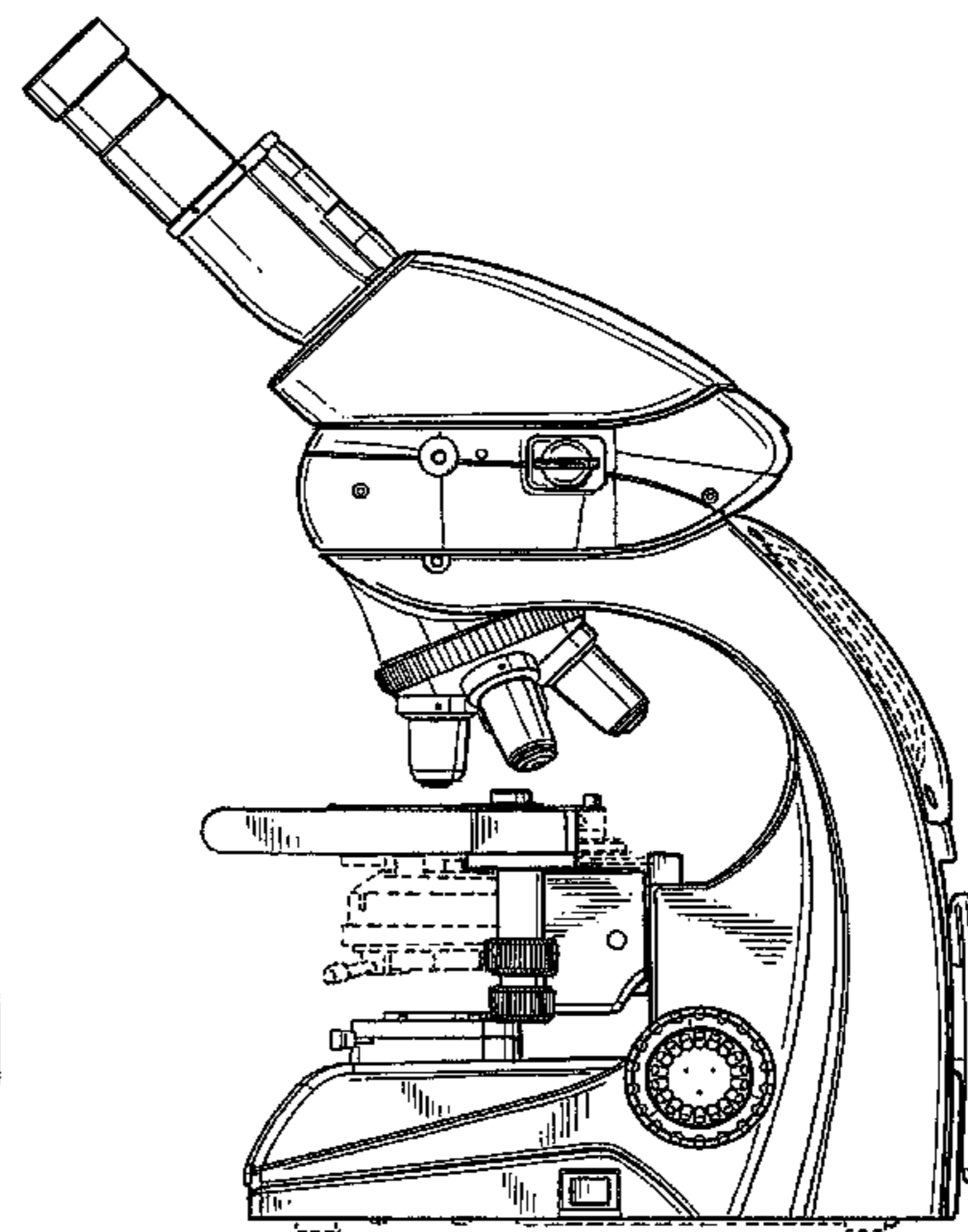
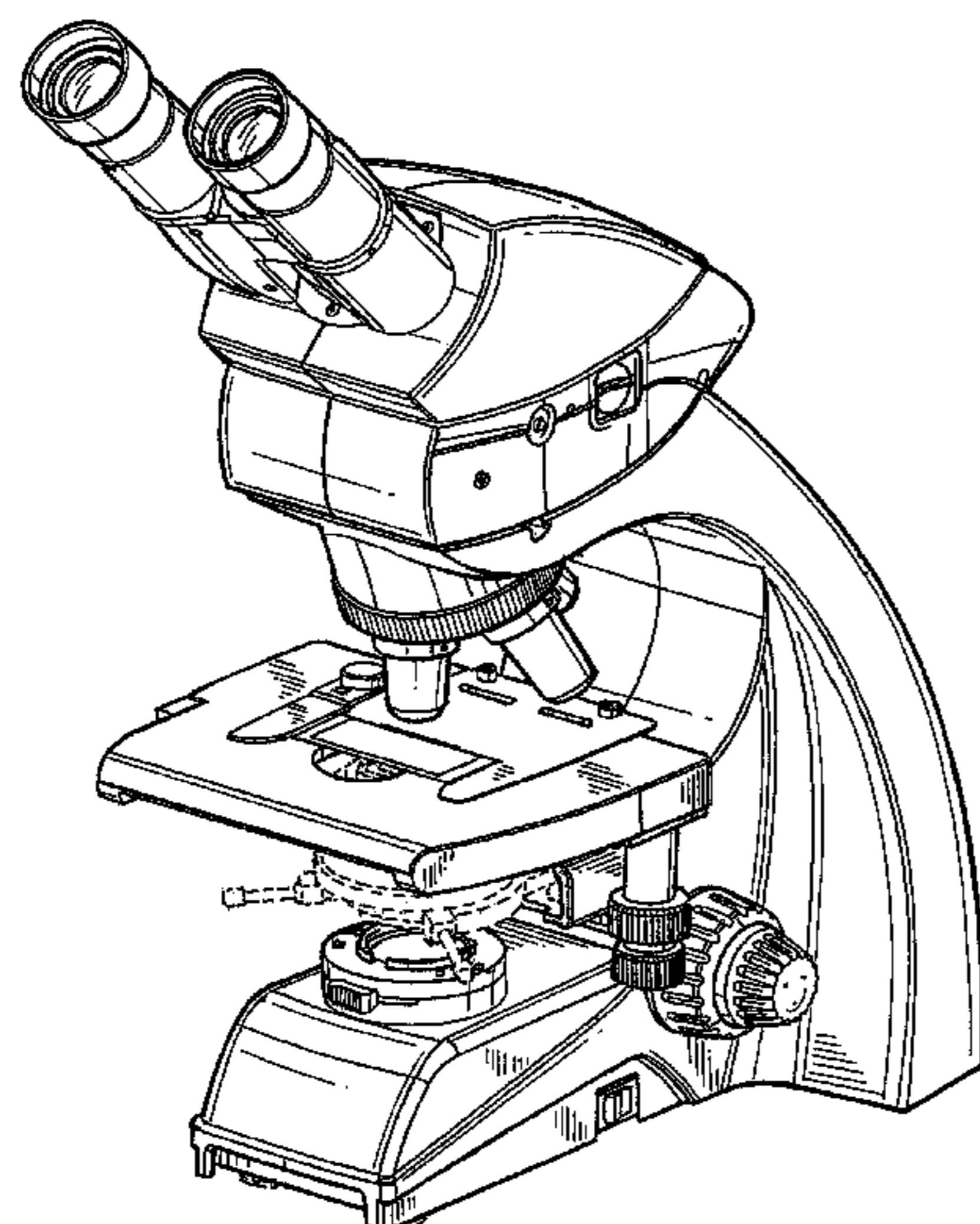
FIG. 5 is a front view thereof;

FIG. 6 is a top view thereof; and,

FIG. 7 is a bottom view thereof.

The broken lines form no part of the claimed design.

**1 Claim, 6 Drawing Sheets**



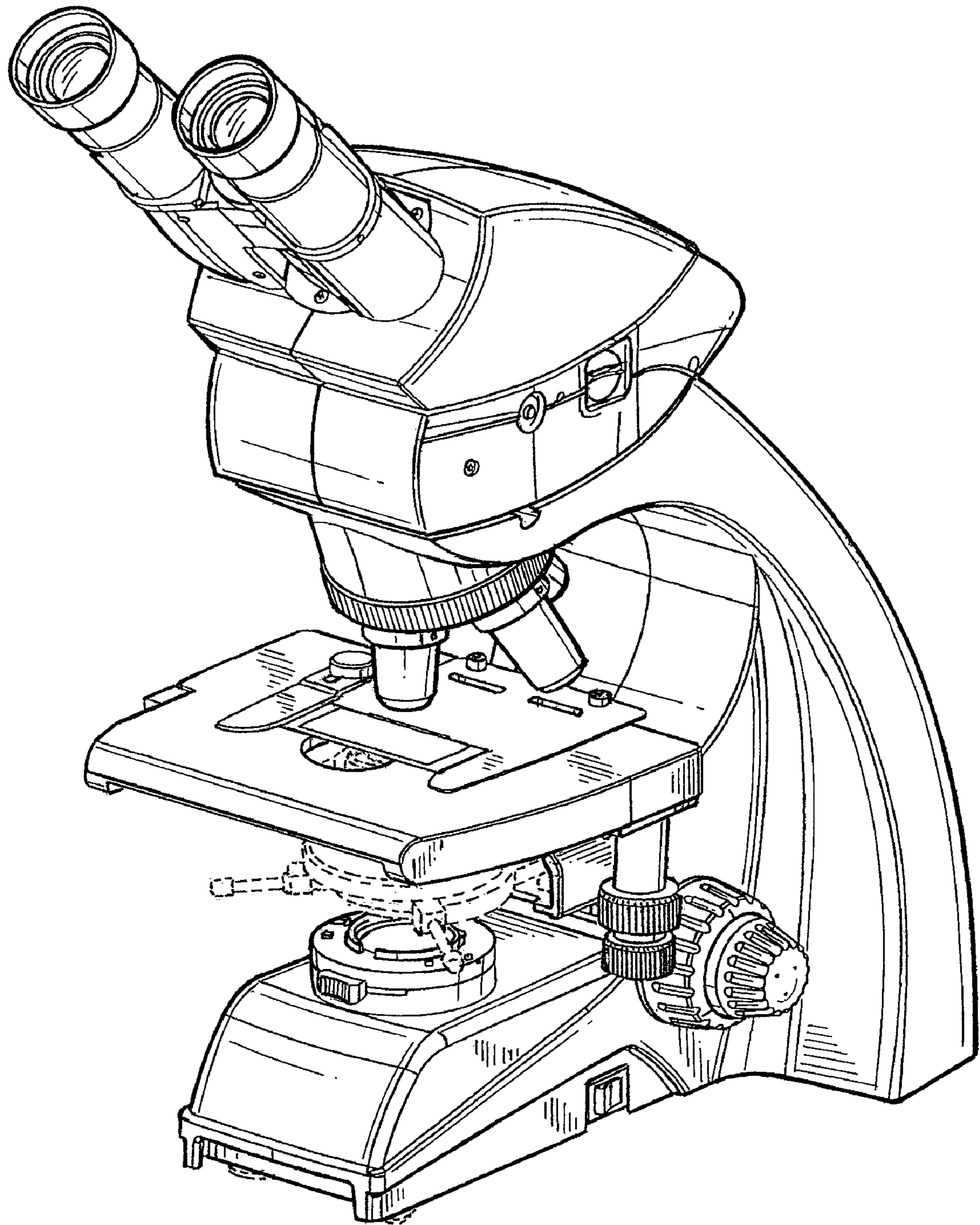


FIG. 1

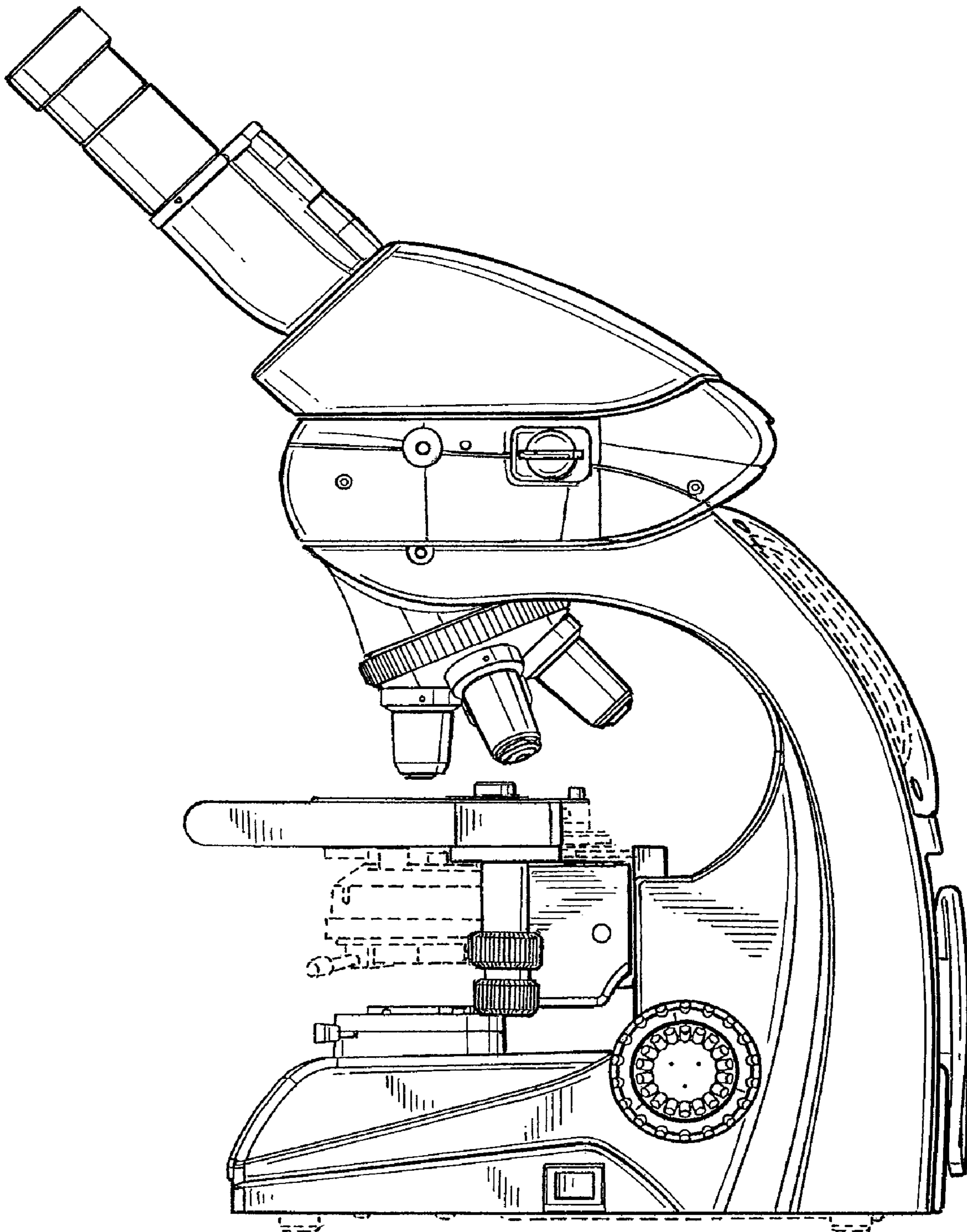
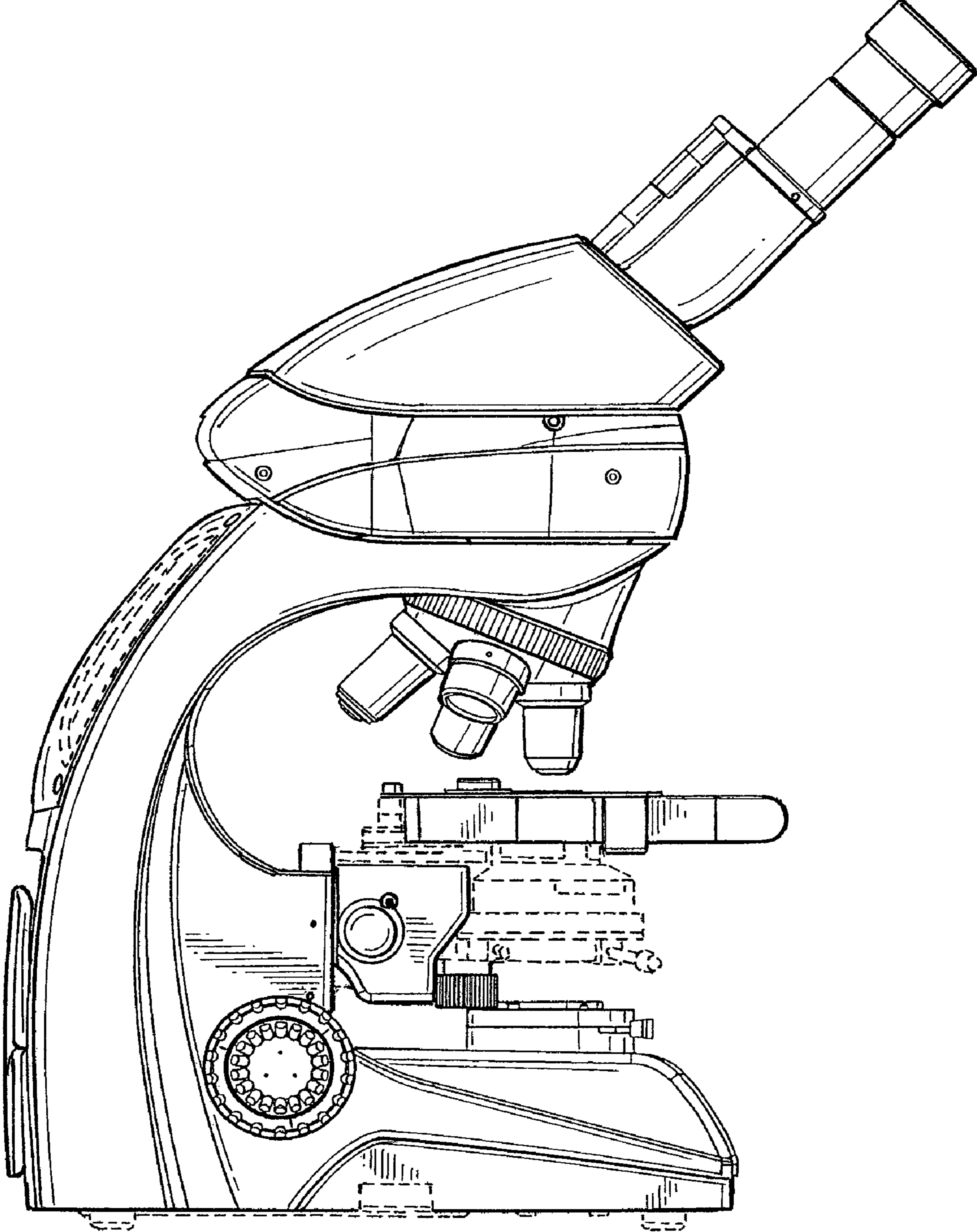


FIG. 2



**FIG. 3**

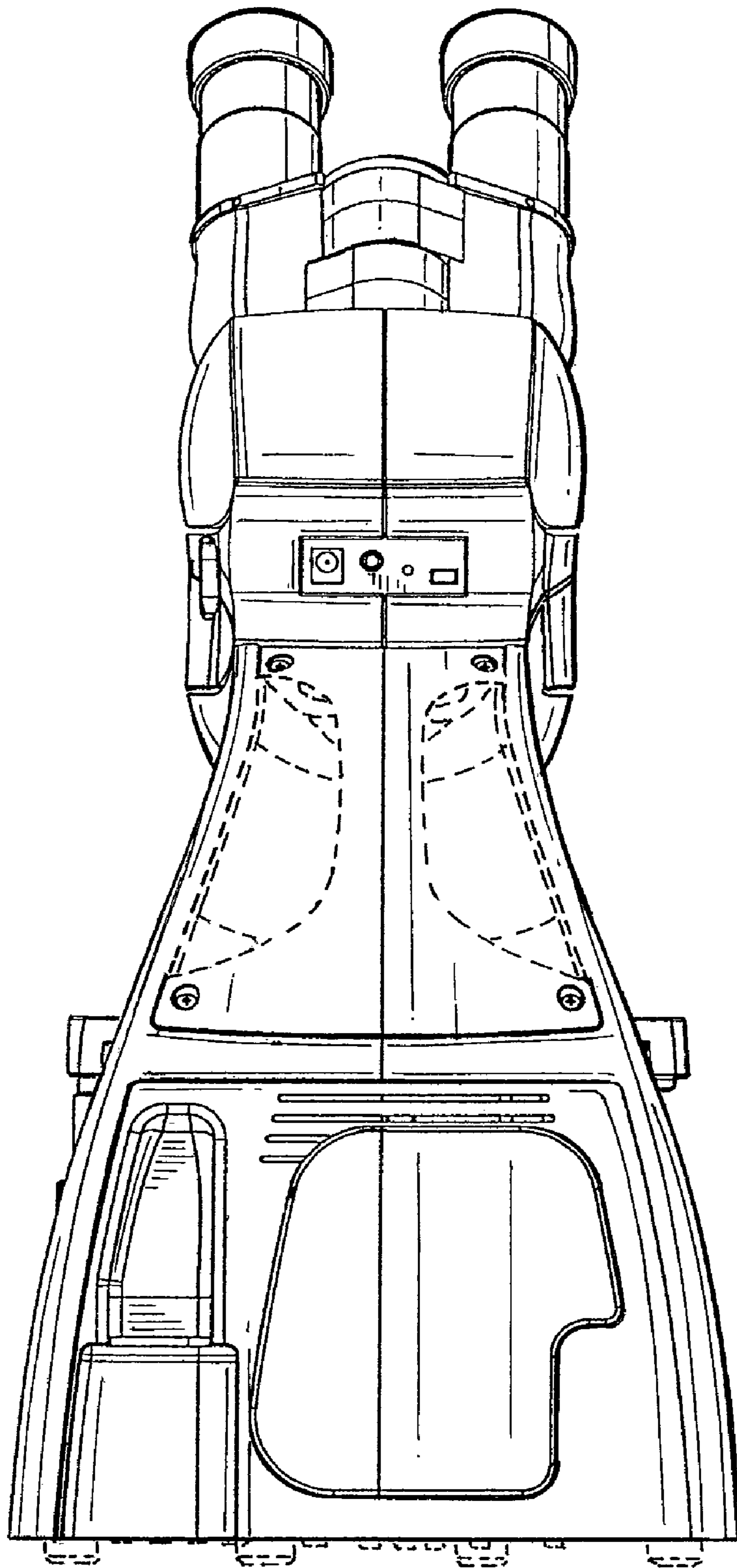
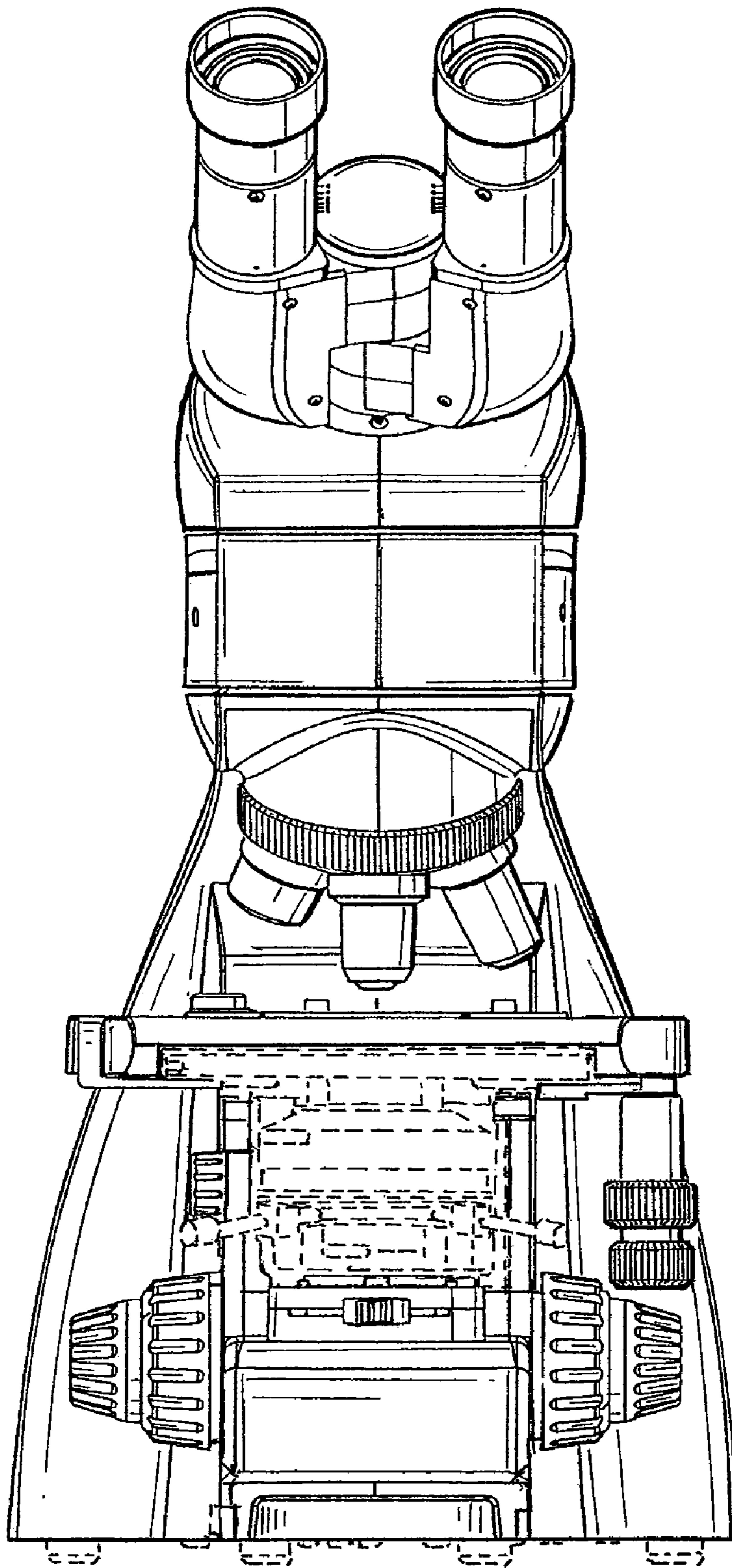


FIG. 4



**FIG. 5**

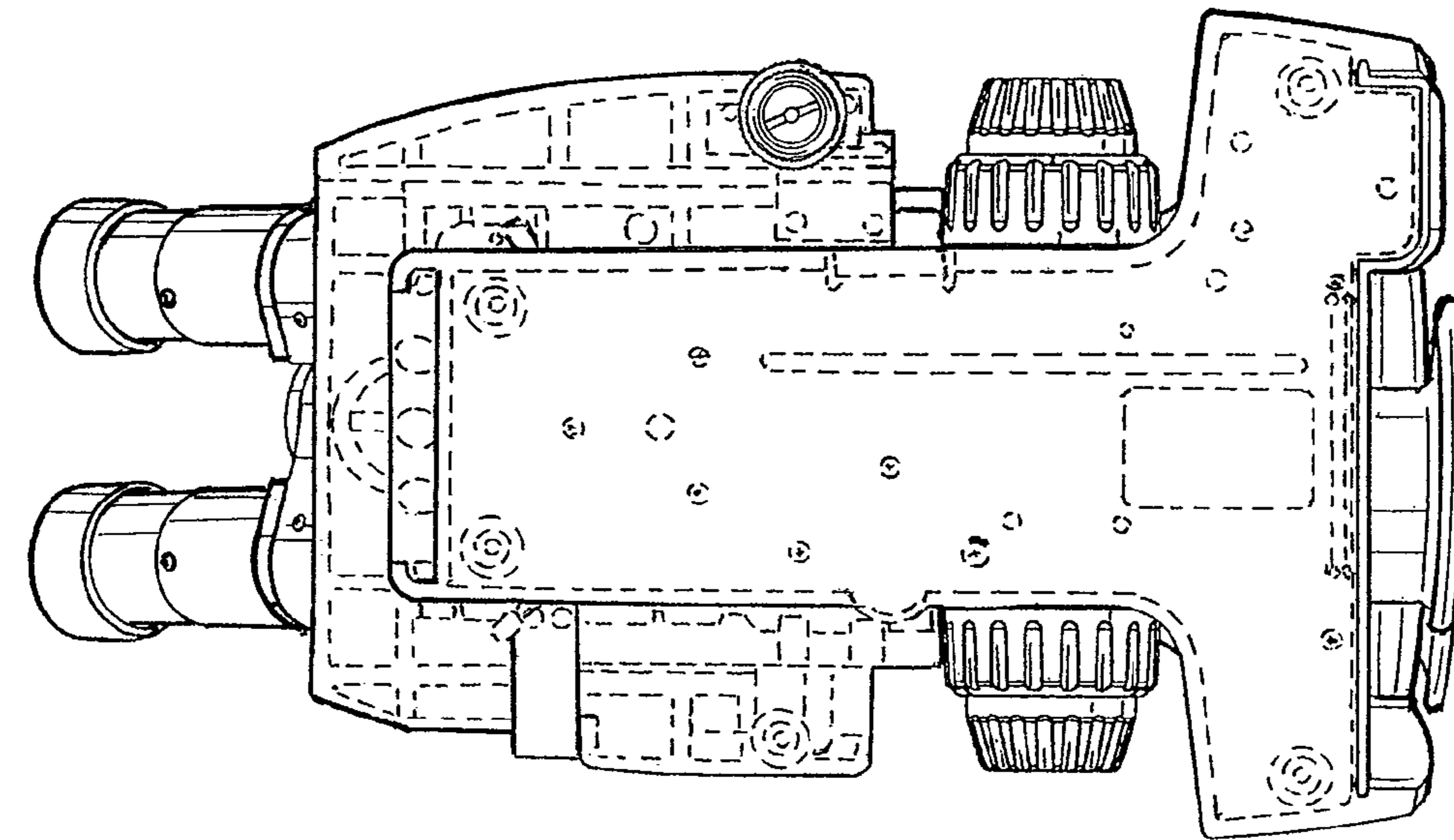


FIG. 6

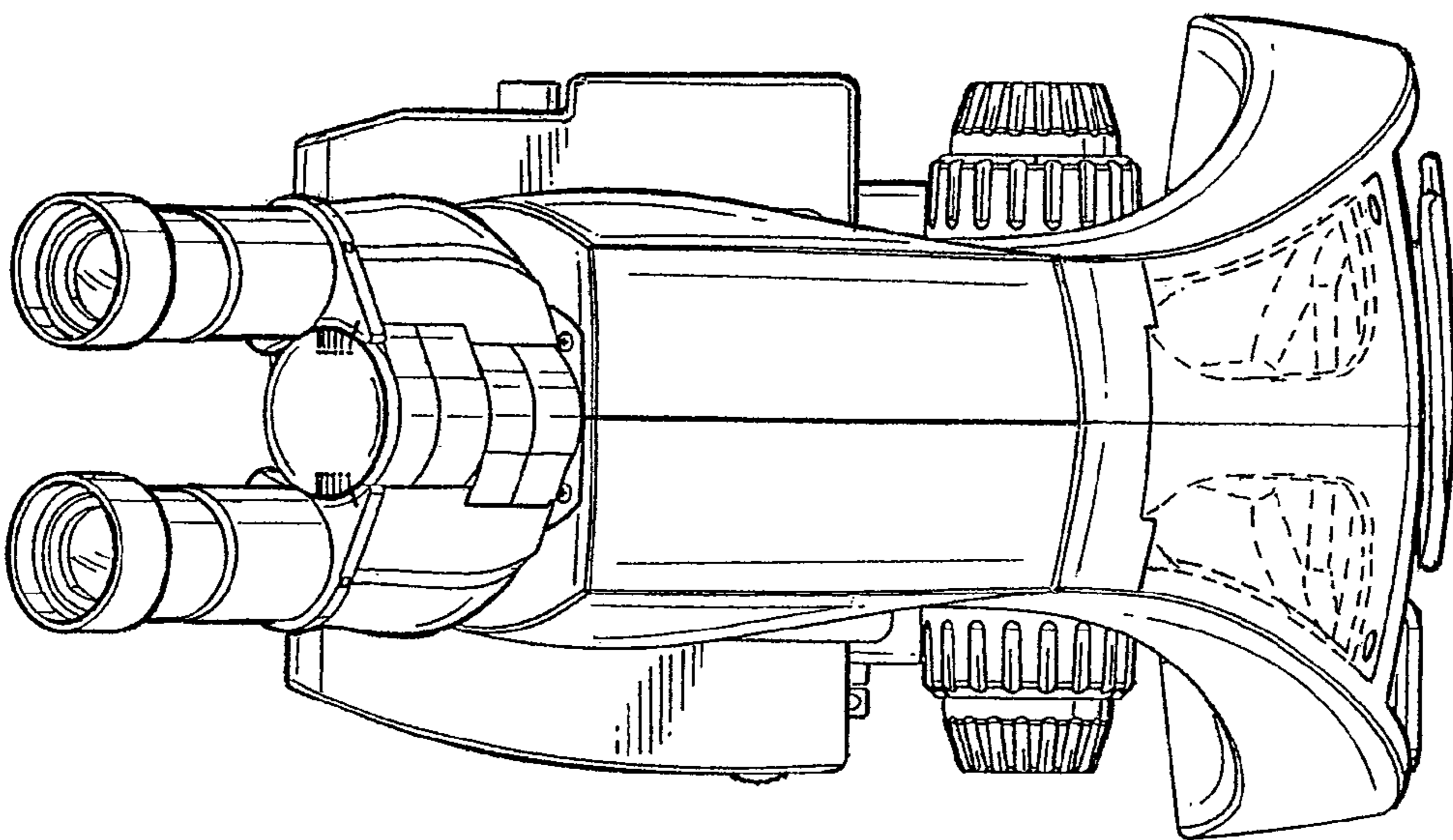


FIG. 7