



US00D607028S

(12) **United States Design Patent**  
**Subilia**

(10) **Patent No.:** **US D607,028 S**

(45) **Date of Patent:** **\*\* Dec. 29, 2009**

(54) **WATCH WINDING MECHANISM**

(75) **Inventor:** **Philippe Subilia, Lausanne (CH)**

(73) **Assignee:** **Ideò Tempo SA, Lausanne (CH)**

(\*\*) **Term:** **14 Years**

(21) **Appl. No.:** **29/317,059**

(22) **Filed:** **Apr. 22, 2008**

(30) **Foreign Application Priority Data**

Oct. 22, 2007 (WO) ..... DM/069 447

(51) **LOC (9) Cl.** ..... **15-99**

(52) **U.S. Cl.** ..... **D15/199**

(58) **Field of Classification Search** ..... D15/199;  
81/7.5; 366/14; 368/10, 206-209

See application file for complete search history.

(56) **References Cited**

**U.S. PATENT DOCUMENTS**

598,871	A *	2/1898	Agnoff	.....	280/174
2,863,345	A *	12/1958	Fiechter	.....	81/7.5
3,620,007	A *	11/1971	Bonnet	.....	368/206
D455,449	S *	4/2002	Siu	.....	D15/199
6,439,761	B1 *	8/2002	Agnoff	.....	368/206
6,543,929	B1 *	4/2003	Agnoff	.....	368/206
D474,216	S *	5/2003	Siu	.....	D15/199
D492,952	S *	7/2004	Siu	.....	D15/199
6,910,802	B2 *	6/2005	Rustioni	.....	368/206
D511,537	S *	11/2005	Huang	.....	D15/199

6,964,513	B1 *	11/2005	Agnoff	.....	368/206
D512,448	S *	12/2005	Christianson	.....	D15/199
D513,568	S *	1/2006	Au	.....	D6/470
D520,540	S *	5/2006	Siu	.....	D15/199
D543,054	S *	5/2007	Au	.....	D6/471
D556,227	S *	11/2007	Au	.....	D15/199
2005/0254352	A1 *	11/2005	Wolf et al.	.....	368/206
2008/0247278	A1 *	10/2008	Walker et al.	.....	368/206

\* cited by examiner

*Primary Examiner*—Sandra Snapp

*Assistant Examiner*—Patricia Palasik

(74) *Attorney, Agent, or Firm*—McGlew and Tuttle, P.C.

(57) **CLAIM**

The ornamental design for a watch winding mechanism, as shown and described.

**DESCRIPTION**

FIG. 1 is a perspective view of my new watch winding mechanism;

FIG. 2 is a top plan view thereof;

FIG. 3 is a bottom plan view thereof;

FIG. 4 is a front view thereof;

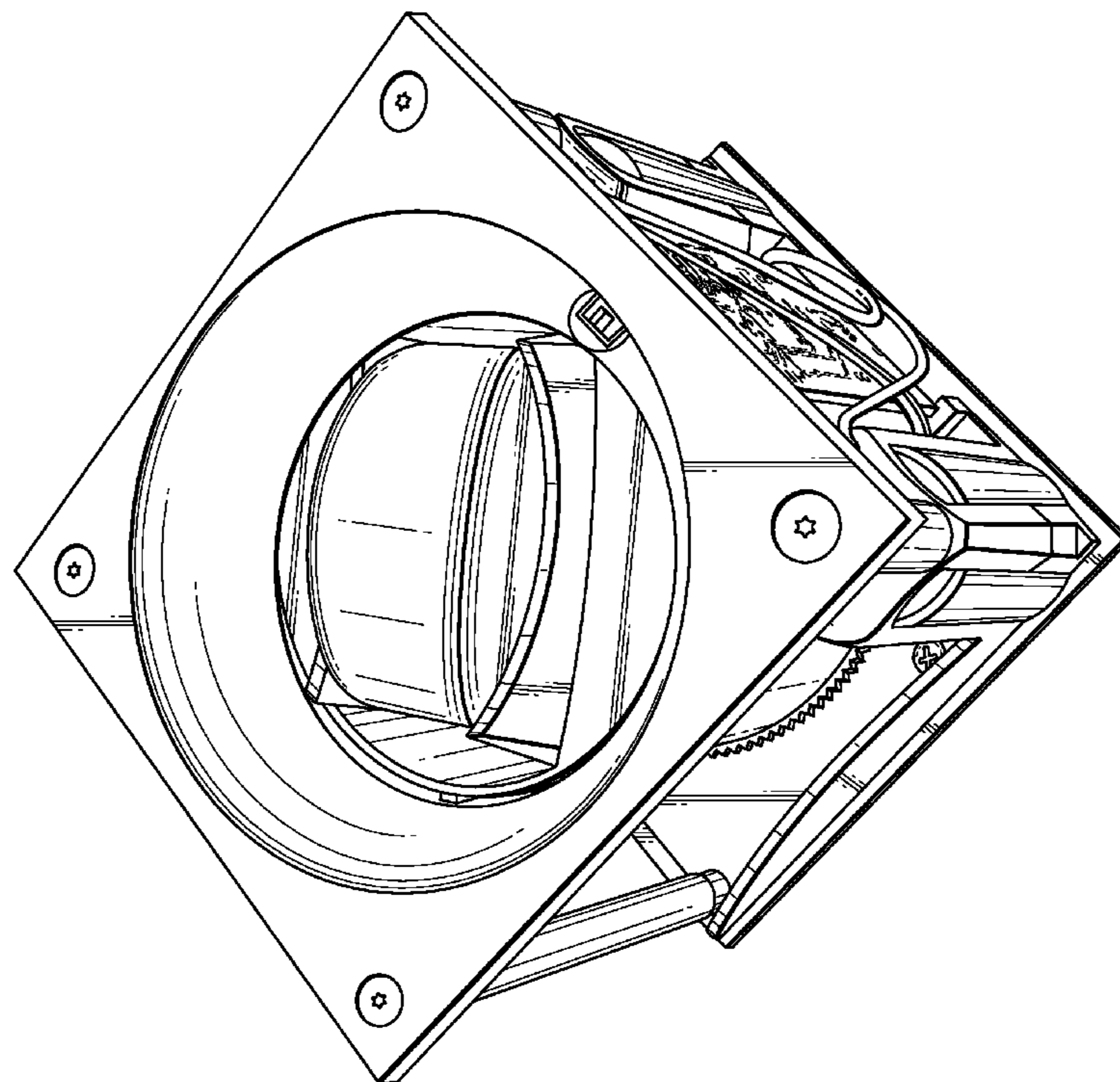
FIG. 5 is a back view thereof;

FIG. 6 is a right elevation view thereof; and,

FIG. 7 is a left elevation view thereof.

The broken lines in the drawings depict unclaimed environmental subject matter.

**1 Claim, 7 Drawing Sheets**



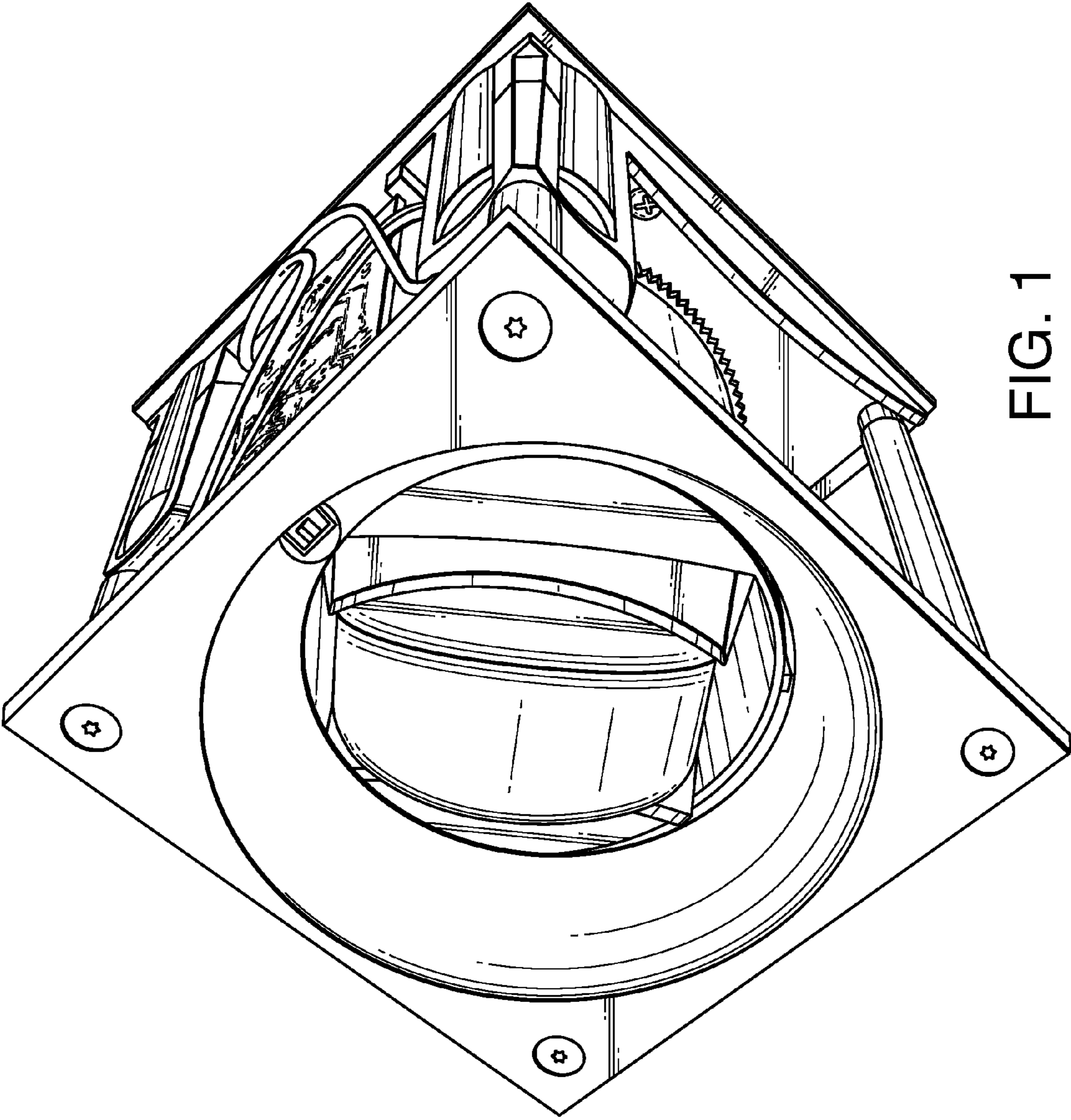


FIG. 1

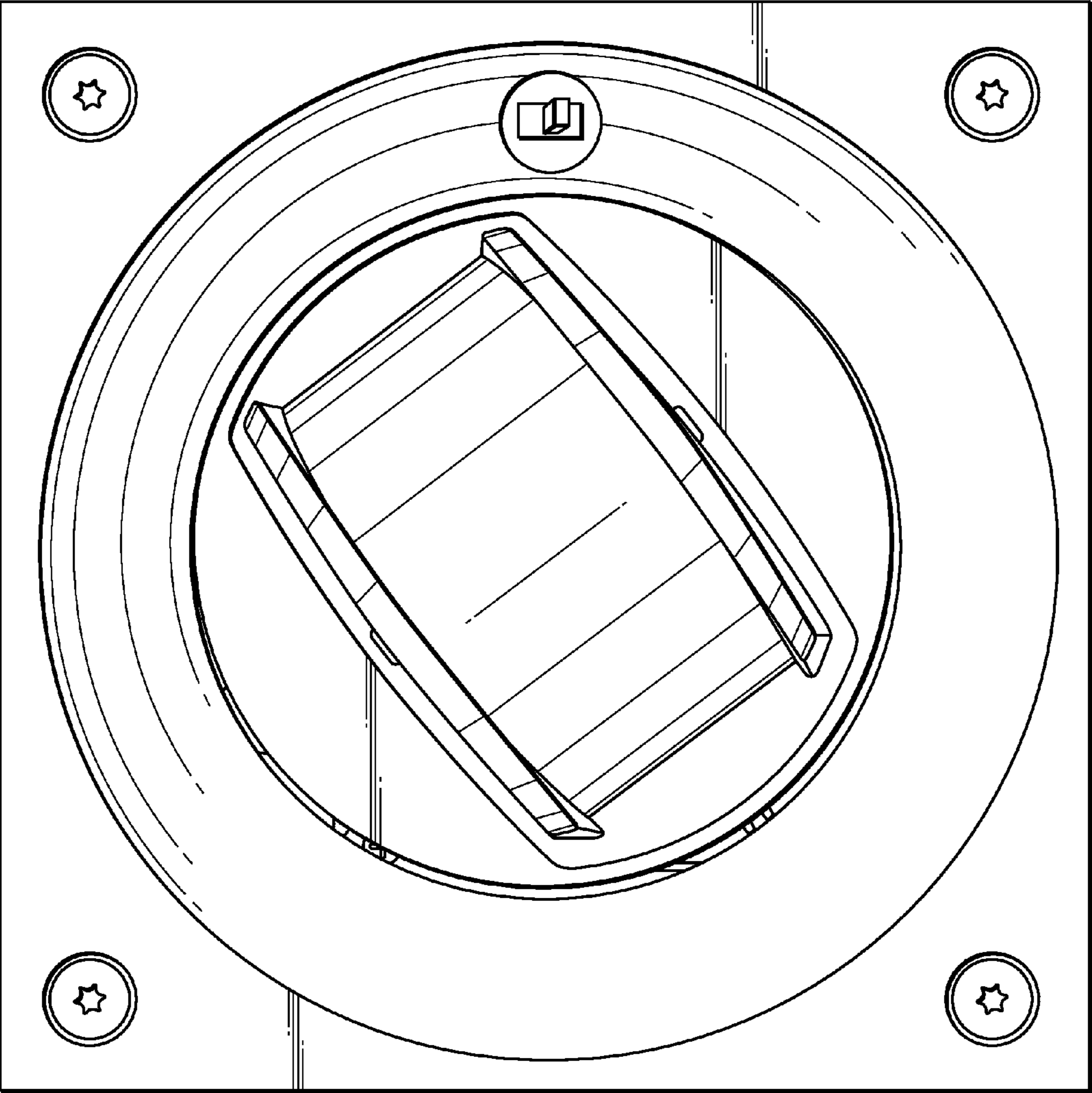


FIG. 2

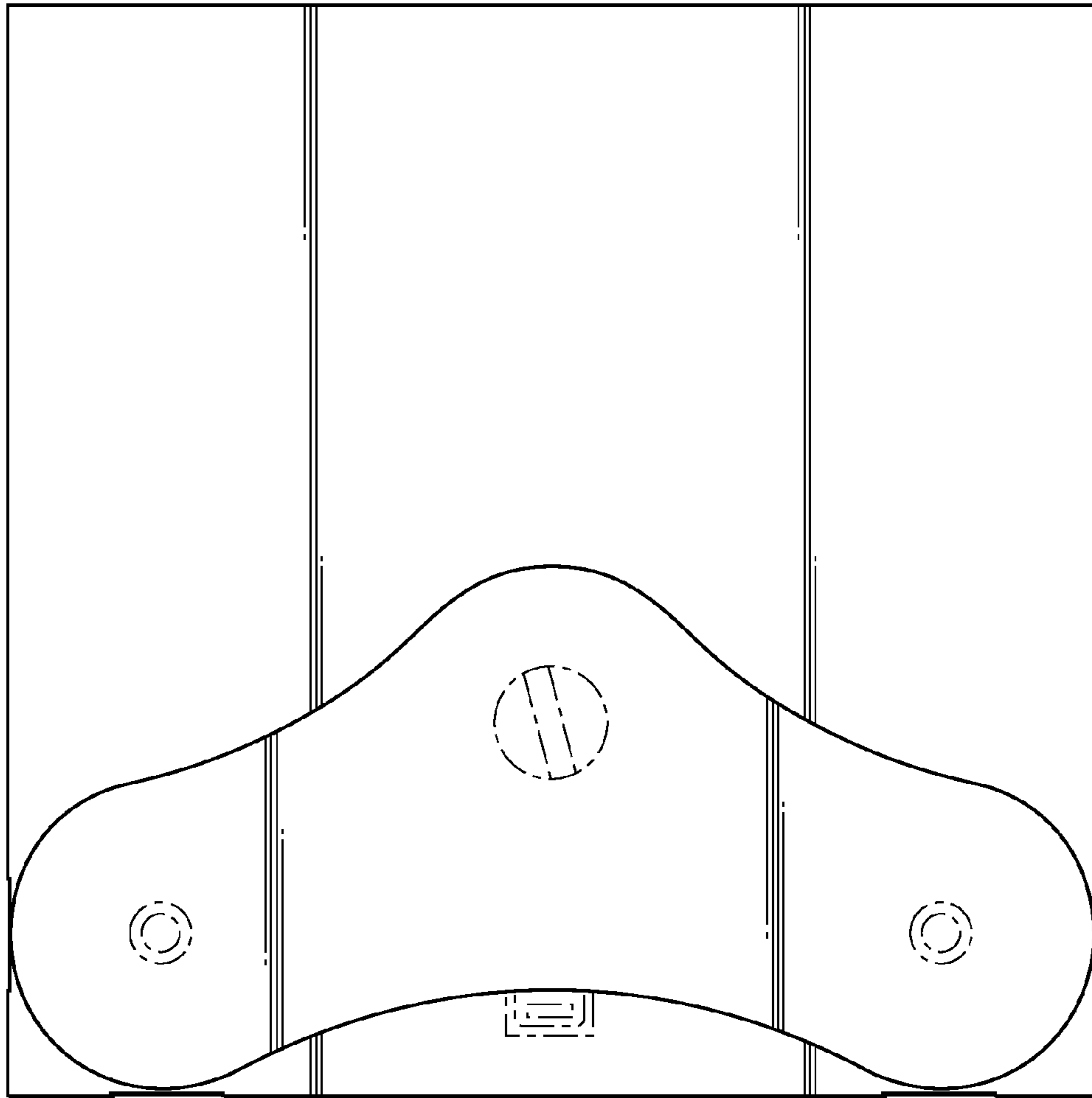


FIG. 3

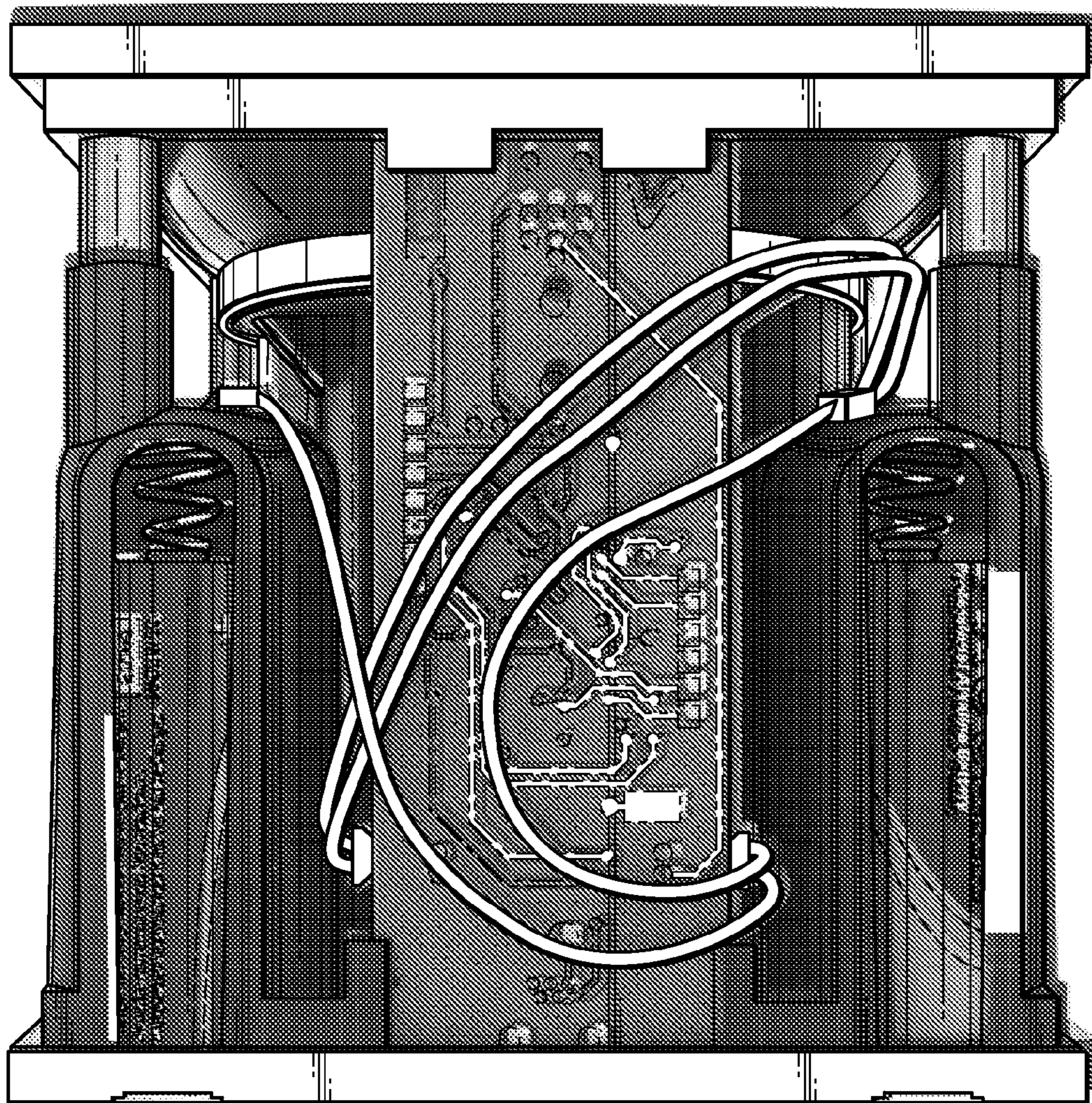


FIG. 4

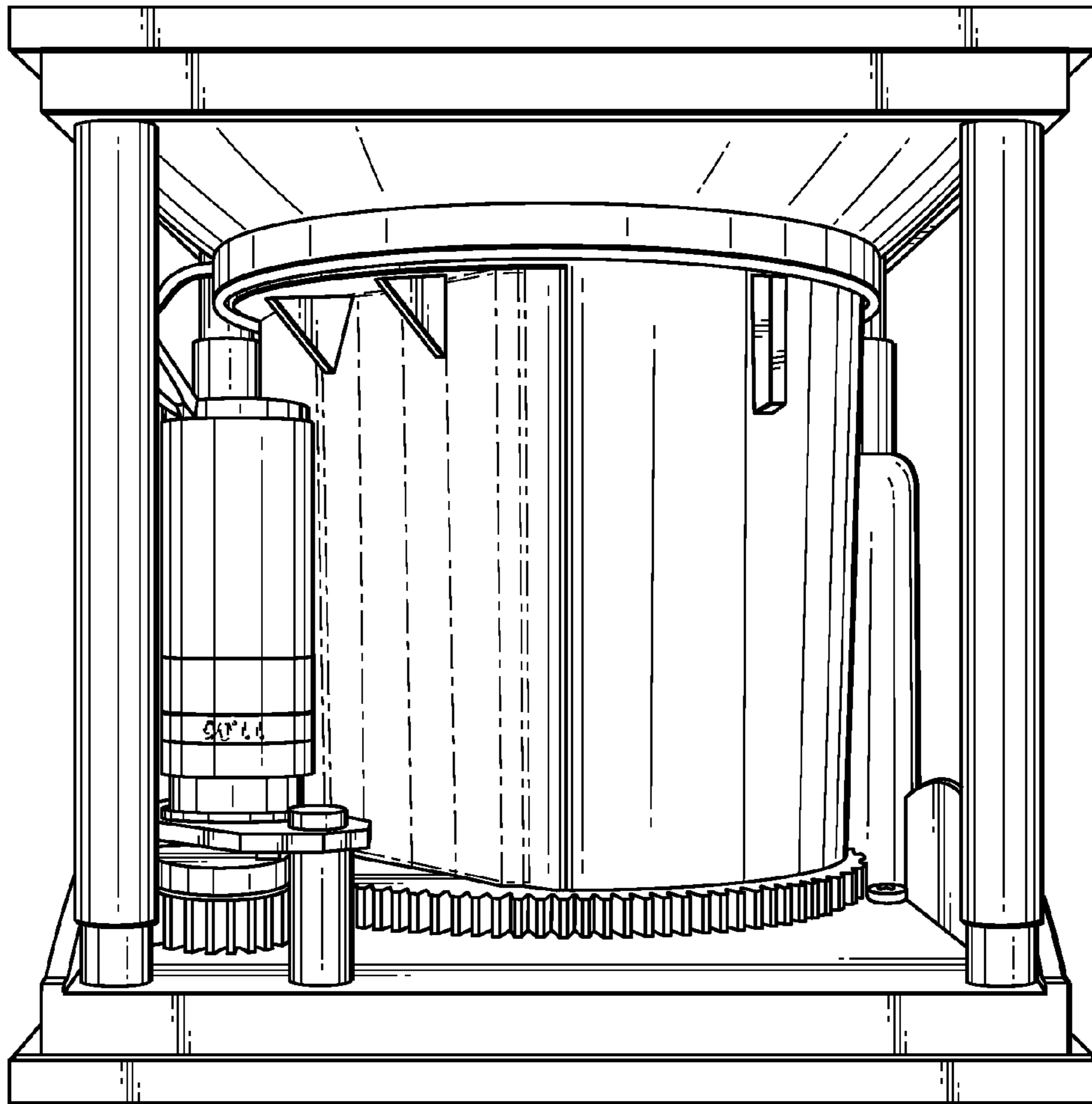


FIG. 5

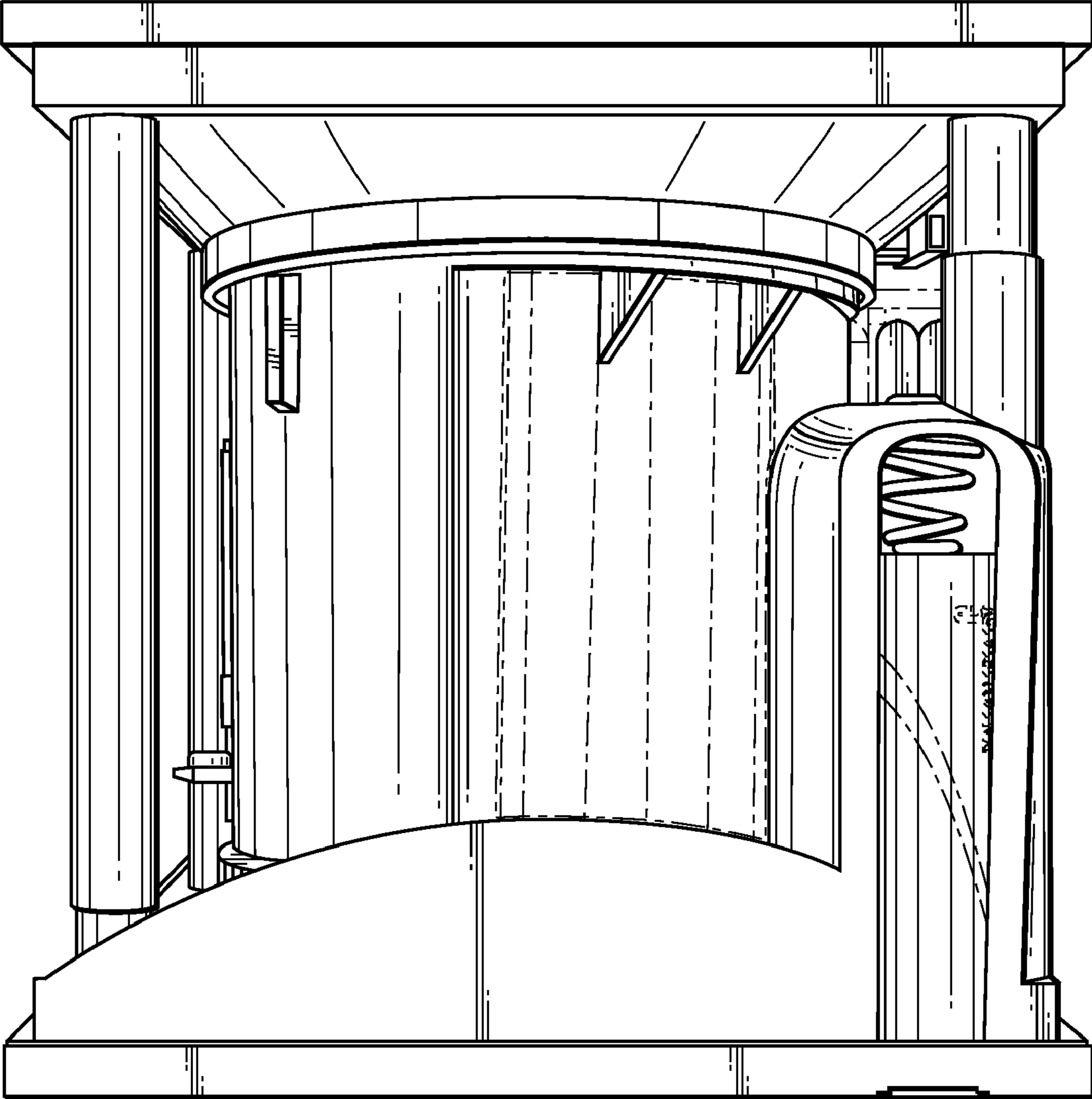


FIG. 6

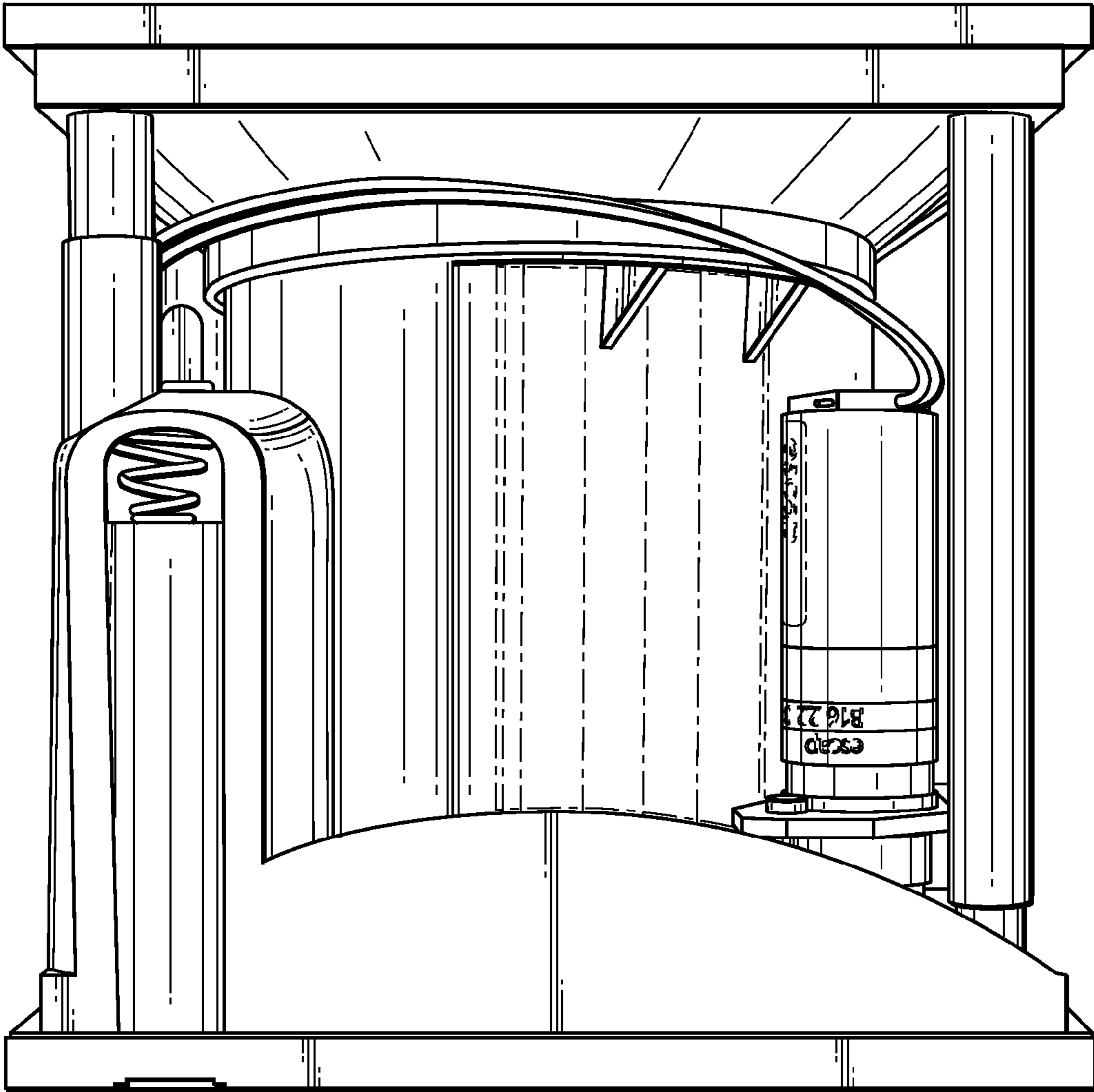


FIG. 7