



US00D607027S

(12) **United States Design Patent**
Medley

(10) **Patent No.:** **US D607,027 S**

(45) **Date of Patent:** **** Dec. 29, 2009**

(54) **MOTORIZED POWERING SOURCE FOR CARTRIDGE RELOADER**

Primary Examiner—Sandra Snapp
Assistant Examiner—Patricia Palasik
(74) *Attorney, Agent, or Firm*—Bergman & Jeckle PLLC

(76) **Inventor:** **Richard Medley**, S. 763 Highway 41,
P.O. Box 8, Rathdrum, ID (US) 83858

(57) **CLAIM**

(**) **Term:** **14 Years**

I claim the ornamental design for motorized powering source for cartridge reloader, as shown and described.

(21) **Appl. No.:** **29/313,469**

(22) **Filed:** **Jan. 12, 2009**

DESCRIPTION

(51) **LOC (9) Cl.** **15-99**

(52) **U.S. Cl.** **D15/199**

(58) **Field of Classification Search** D15/199;
74/88, 128, 828; 86/1.1, 23, 24, 25, 27, 28,
86/31, 33, 36, 44

FIG. 1 is an isometric top, back and right side view of my motorized powering source for cartridge reloader showing my design with a cartridge reloader shown in dashed outline.

FIG. 2 is an orthographic right side view of my motorized powering source for cartridge reloader showing my design with a cartridge reloader shown in dashed outline.

See application file for complete search history.

FIG. 3 is an orthographic left side view thereof.

(56) **References Cited**

FIG. 4 is an orthographic front, rearward looking view thereof.

U.S. PATENT DOCUMENTS

FIG. 5 is an orthographic back, forward looking view thereof; and,

3,157,086	A *	11/1964	Bachhuber	86/27
3,732,774	A *	5/1973	Griffin	86/23
4,078,472	A *	3/1978	Simpson	86/23
4,522,102	A *	6/1985	Pickens	86/27
4,526,084	A *	7/1985	David et al.	86/38
5,054,362	A *	10/1991	Bachhuber	86/27
5,313,869	A *	5/1994	Lee	86/25

FIG. 6 is an orthographic top, downward looking view thereof.

The broken lines in the drawings depict unclaimed environmental subject matter.

* cited by examiner

1 Claim, 6 Drawing Sheets

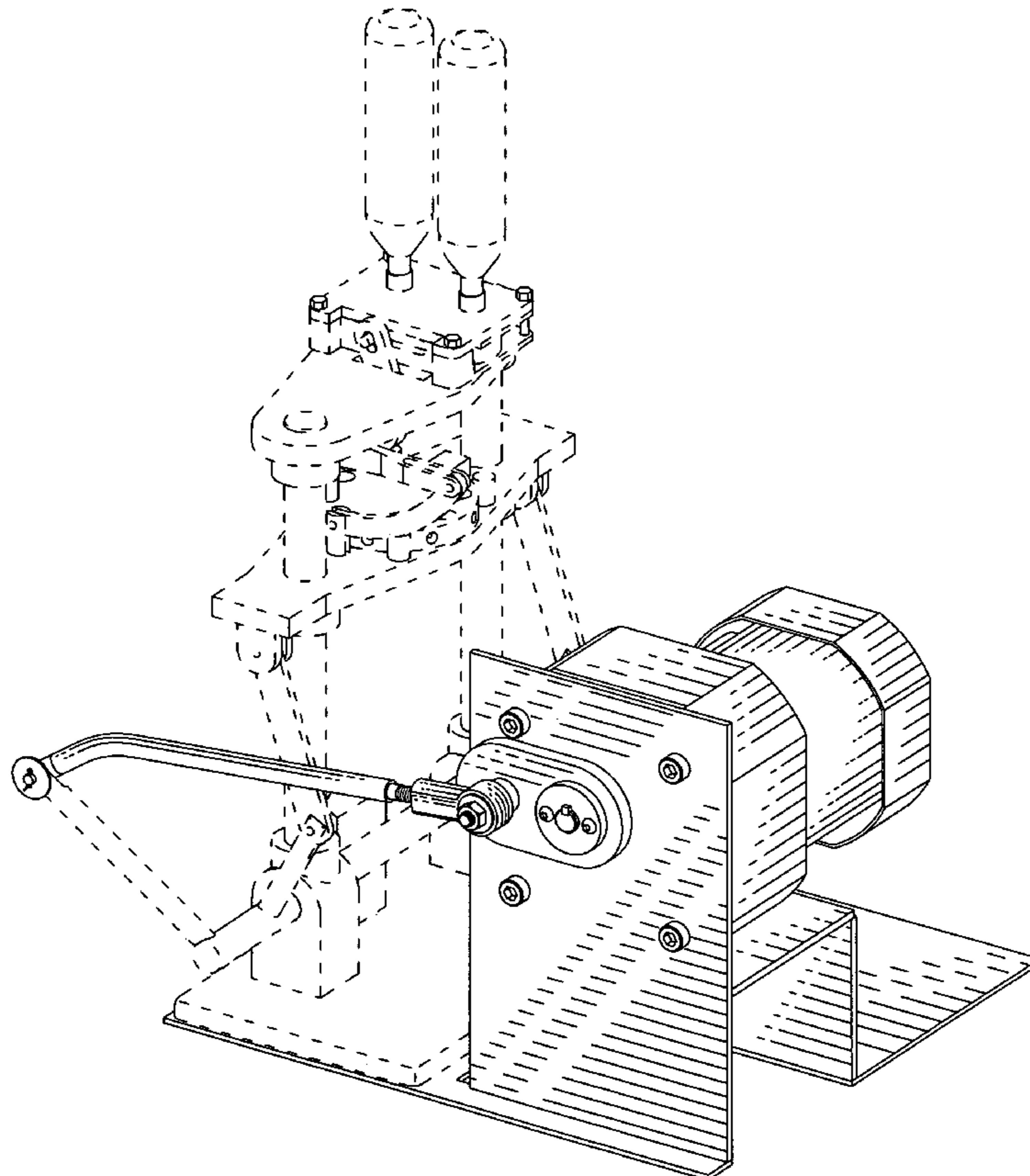


FIG. 1

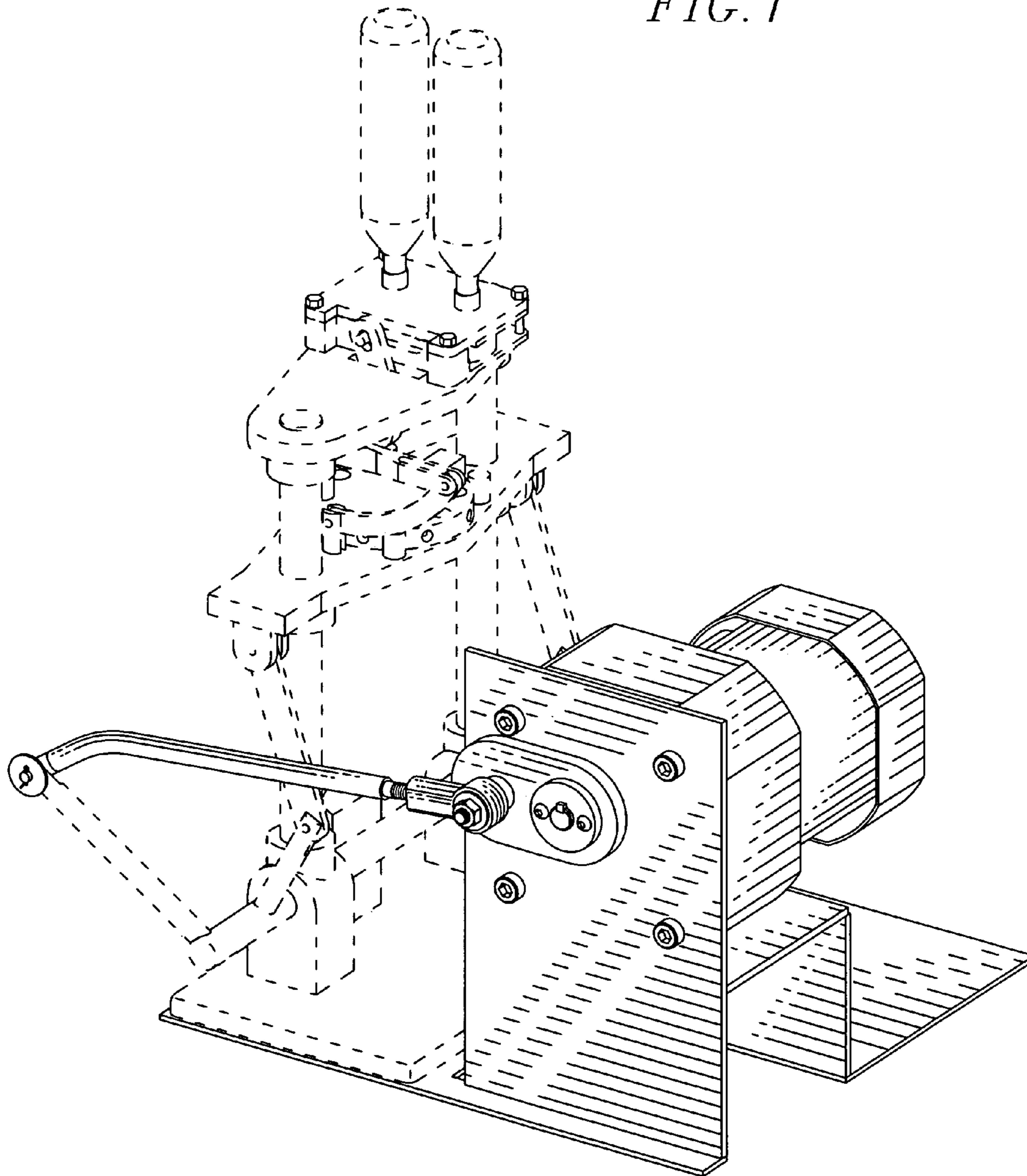


FIG. 2

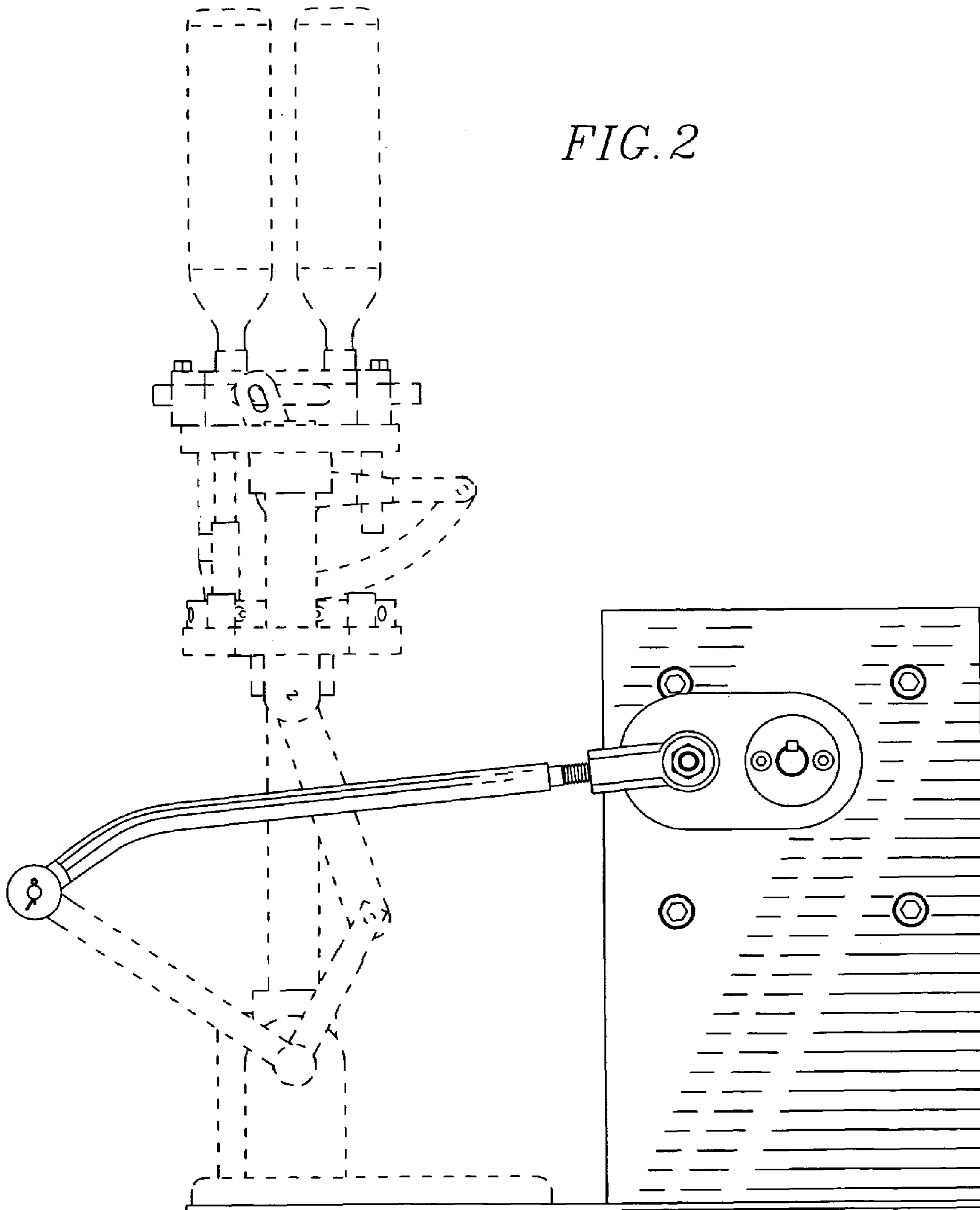


FIG. 3

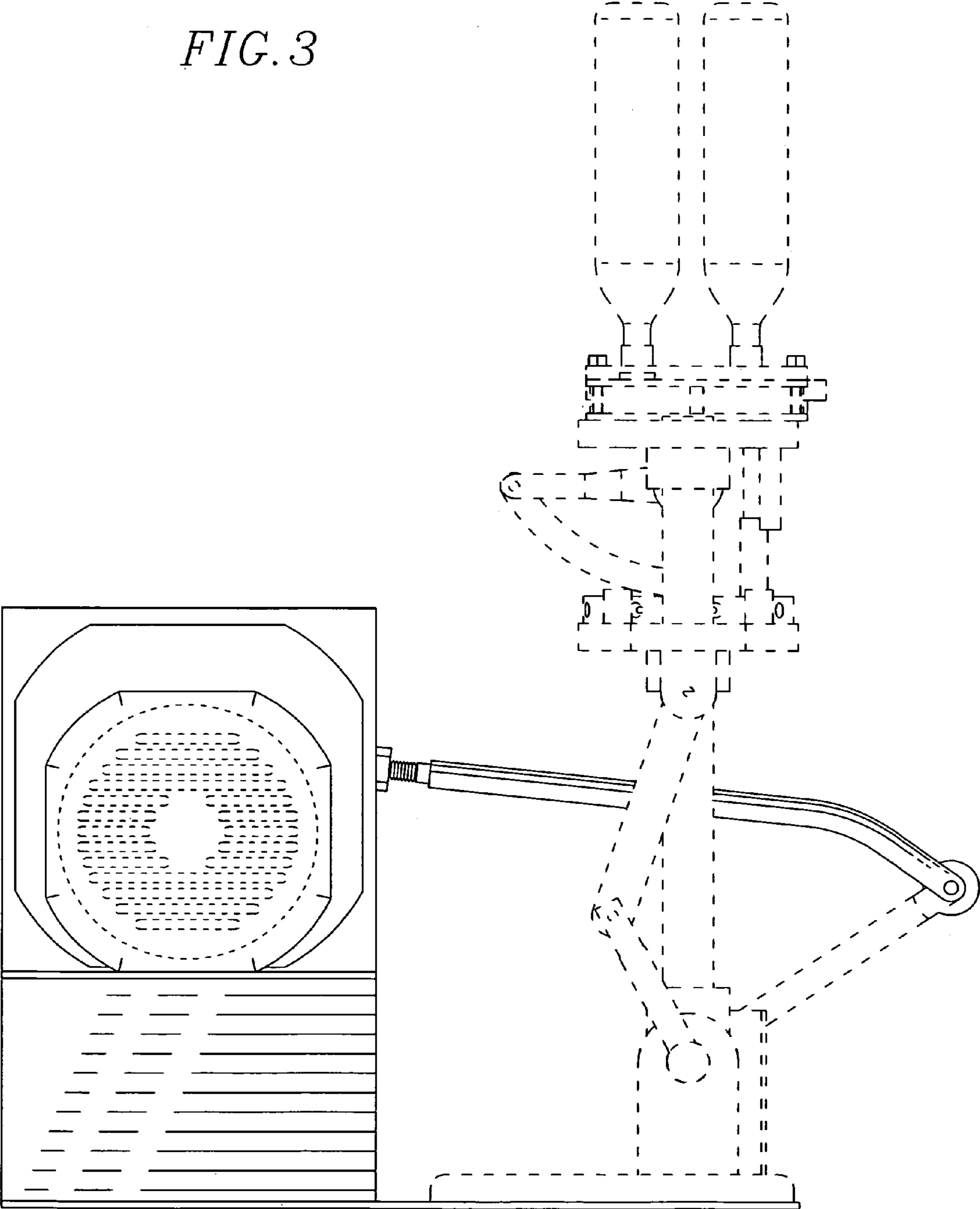


FIG. 4

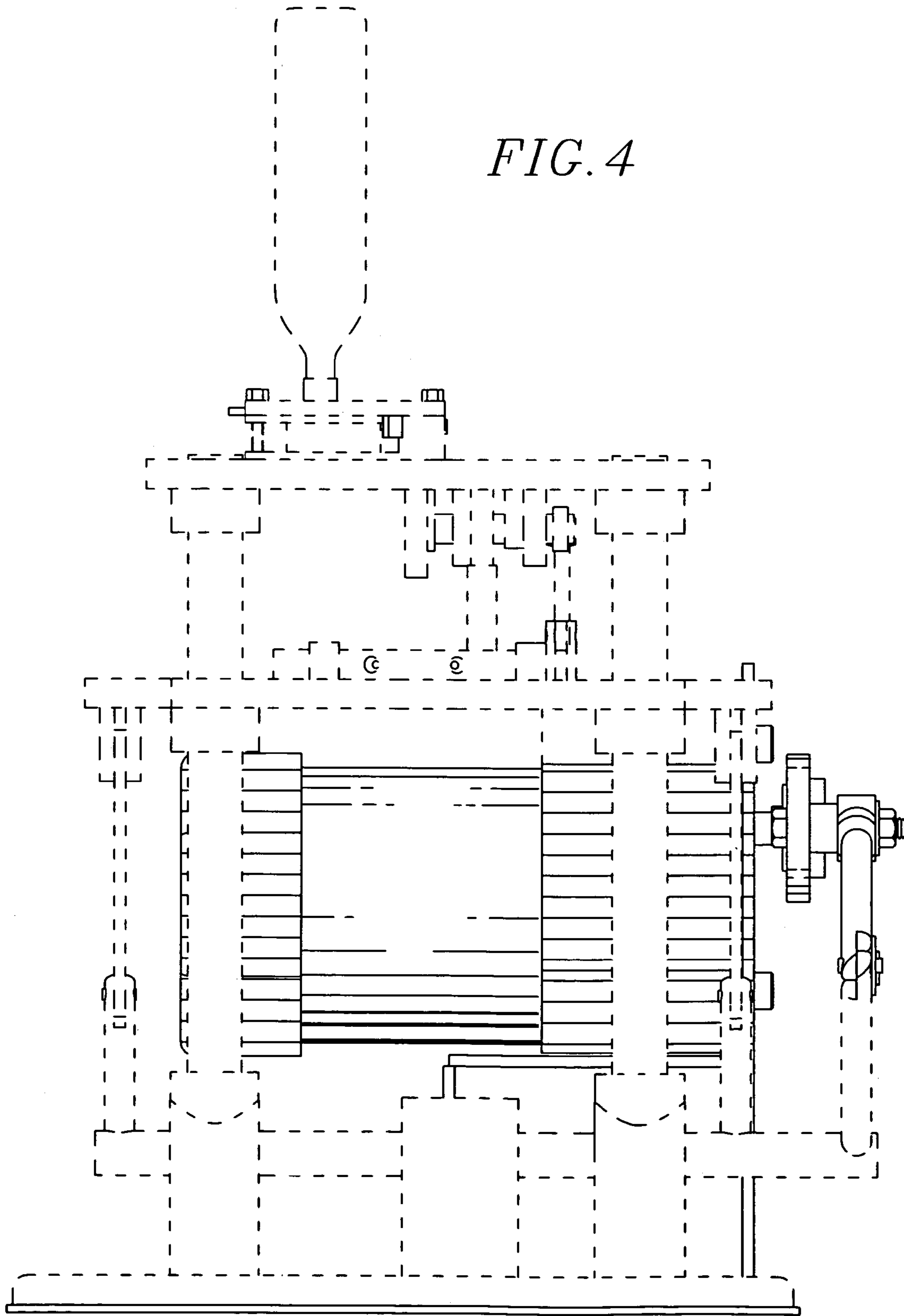


FIG. 5

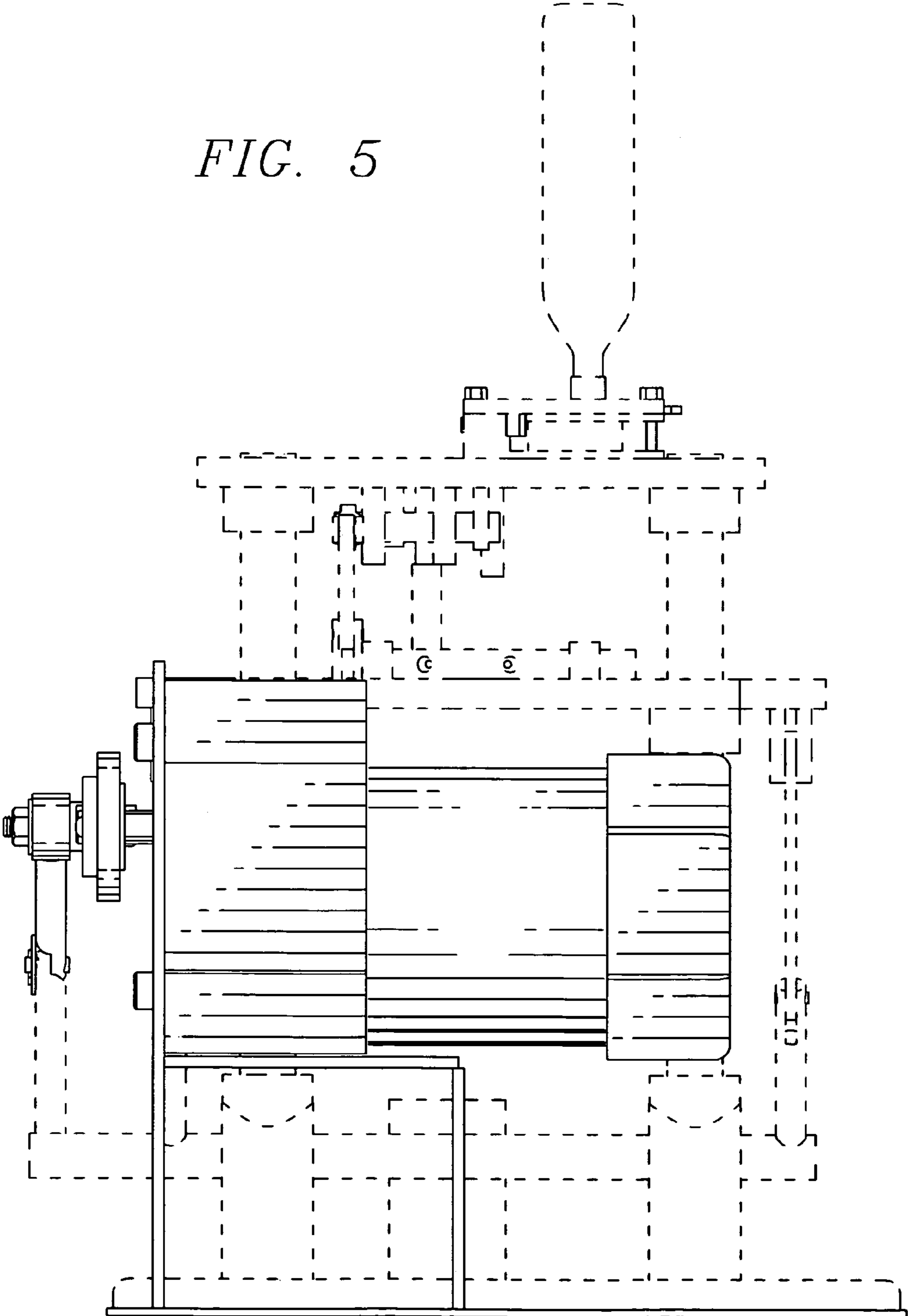


FIG. 6

