



US00D607026S

(12) **United States Design Patent**
Risse

(10) **Patent No.:** **US D607,026 S**
(45) **Date of Patent:** **** Dec. 29, 2009**

(54) **HANDLE OF HOT AIR TOOL**
(75) Inventor: **Hendrik Risse**, Wuppertal (DE)
(73) Assignee: **Forsthoff GmbH**, Solingen (DE)
(**) Term: **14 Years**
(21) Appl. No.: **29/330,515**
(22) Filed: **Jan. 8, 2009**

(30) **Foreign Application Priority Data**
Jul. 9, 2008 (EM) 000967302
(51) **LOC (9) Cl.** **15-09**
(52) **U.S. Cl.** **D15/144**
(58) **Field of Classification Search** D8/29.1,
D8/29.2, 30; D15/144, 144.2; 34/96, 97;
392/384, 385, 379, 380, 383, 473, 476, 485,
392/488, 489; 431/153, 255, 266, 344, 345,
431/353
See application file for complete search history.

(56) **References Cited**
U.S. PATENT DOCUMENTS
D319,768 S * 9/1991 Smith D8/29.1
D343,629 S * 1/1994 Bode D15/144
D440,991 S * 4/2001 Fujiwara D15/144.2
6,763,183 B1 * 7/2004 Huang 392/384

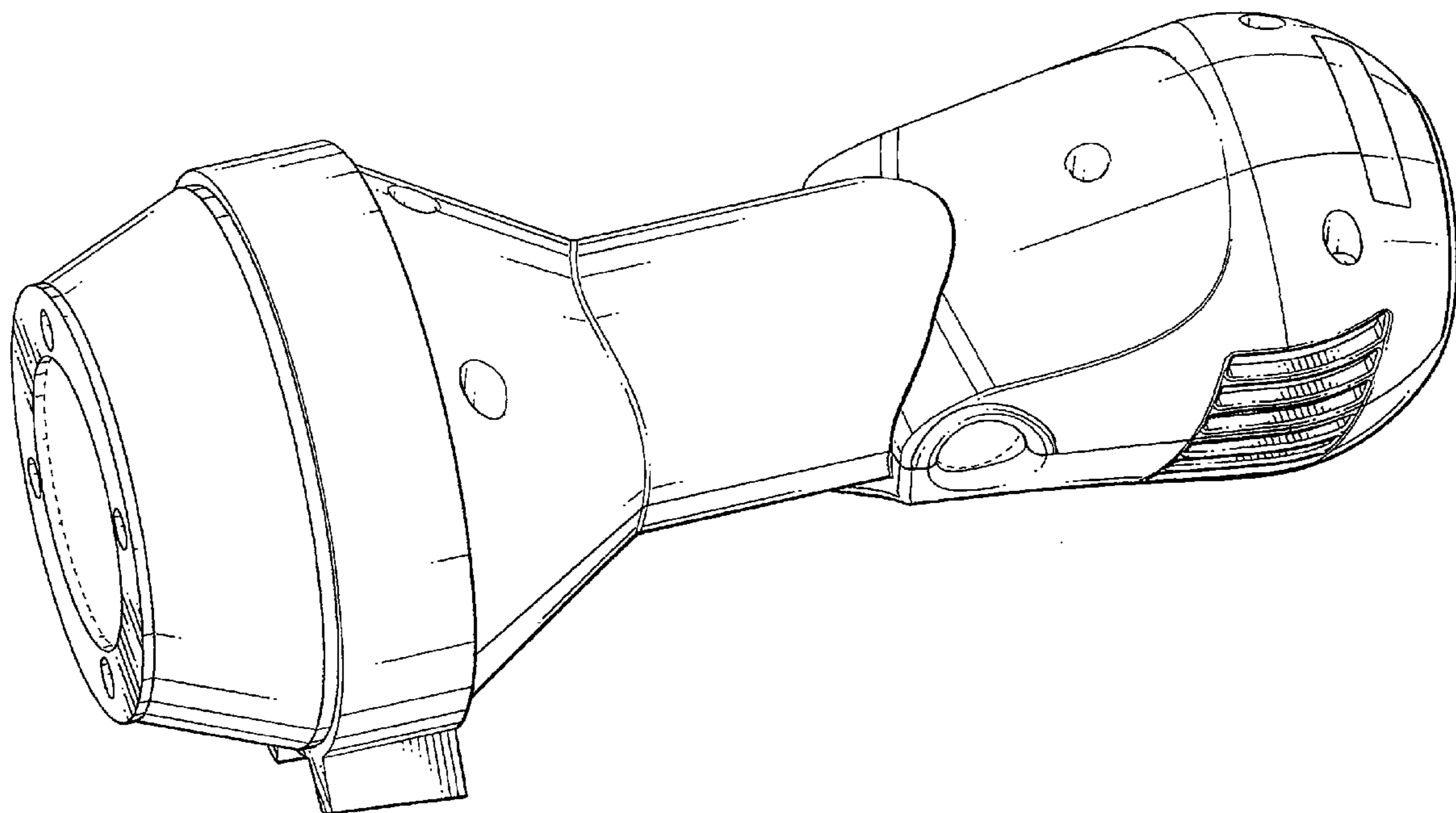
D532,432 S * 11/2006 Owens D15/144
D537,092 S * 2/2007 Owens D15/144
D555,446 S * 11/2007 Picaza Ibarrodo D8/30
D564,319 S * 3/2008 Tsai D8/30
D587,975 S * 3/2009 Aronson et al. D8/29.1

* cited by examiner
Primary Examiner—Sandra Snapp
Assistant Examiner—Patricia Palasik
(74) *Attorney, Agent, or Firm*—Greer, Burns & Crain, Ltd.

(57) **CLAIM**
The ornamental design for a handle of hot air tool, as shown and described.

DESCRIPTION
FIG. 1 is a right side view of the handle of hot air tool showing my new design.
FIG. 2 is a bottom view thereof.
FIG. 3 is a left side view thereof.
FIG. 4 is a rear view thereof.
FIG. 5 is a front view thereof.
FIG. 6 is a top view thereof; and,
FIG. 7 is a perspective view showing the bottom, right and front sides thereof.

1 Claim, 7 Drawing Sheets



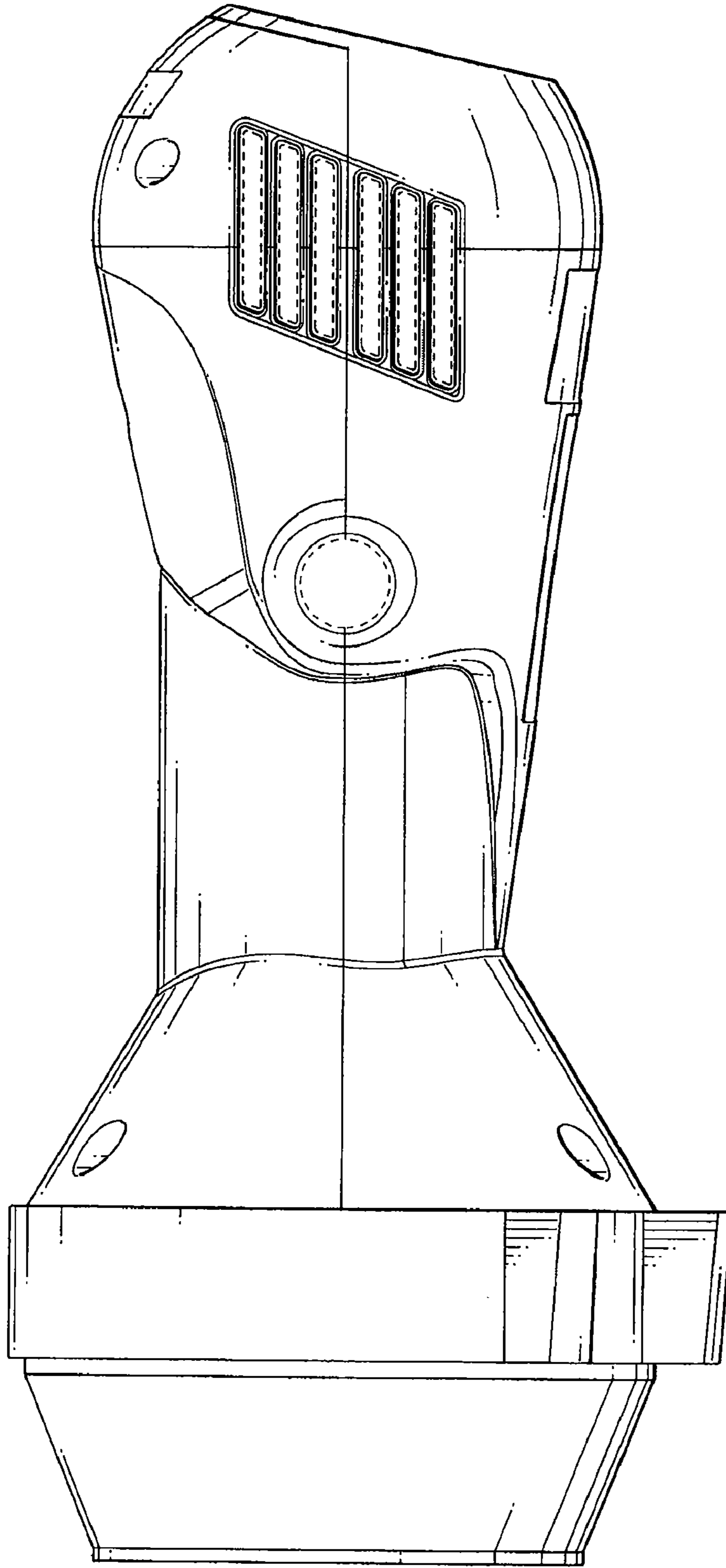


FIG. 1

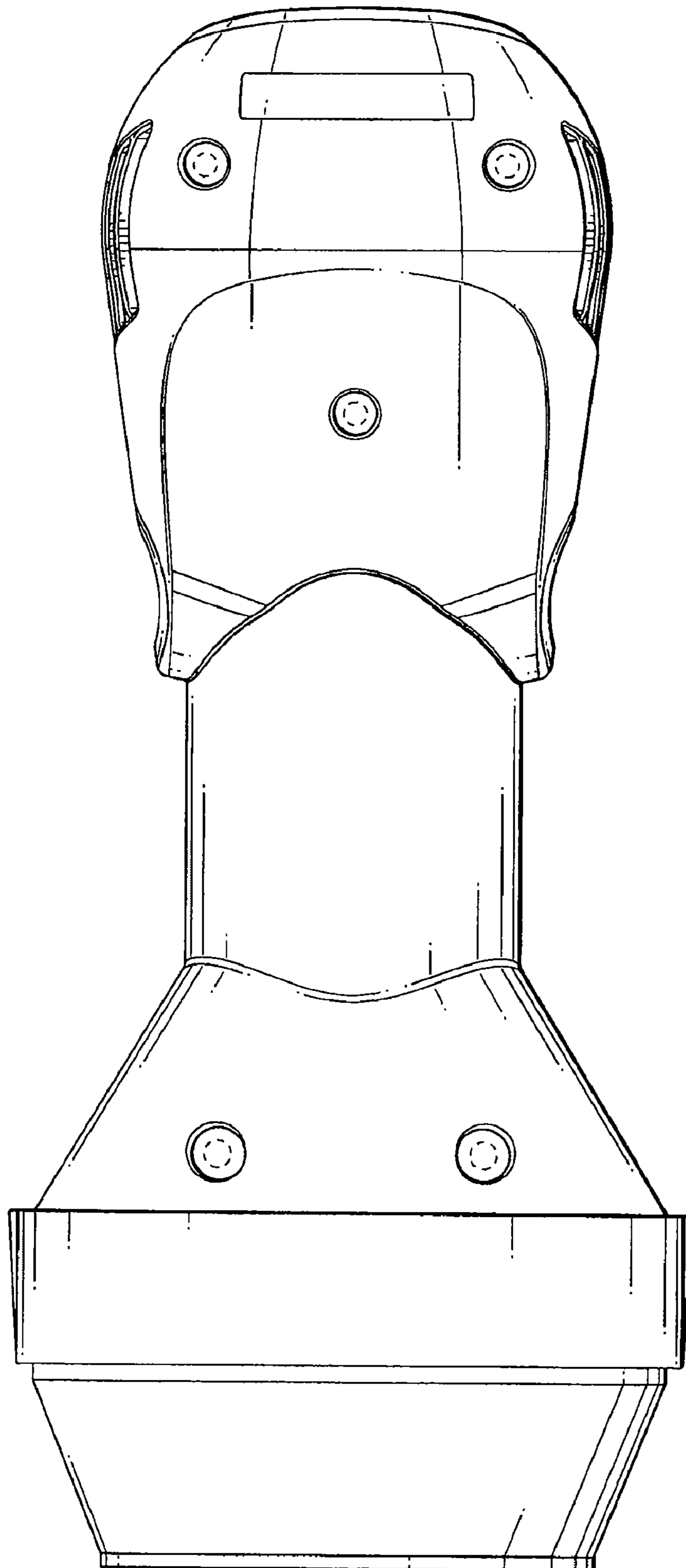


FIG. 2

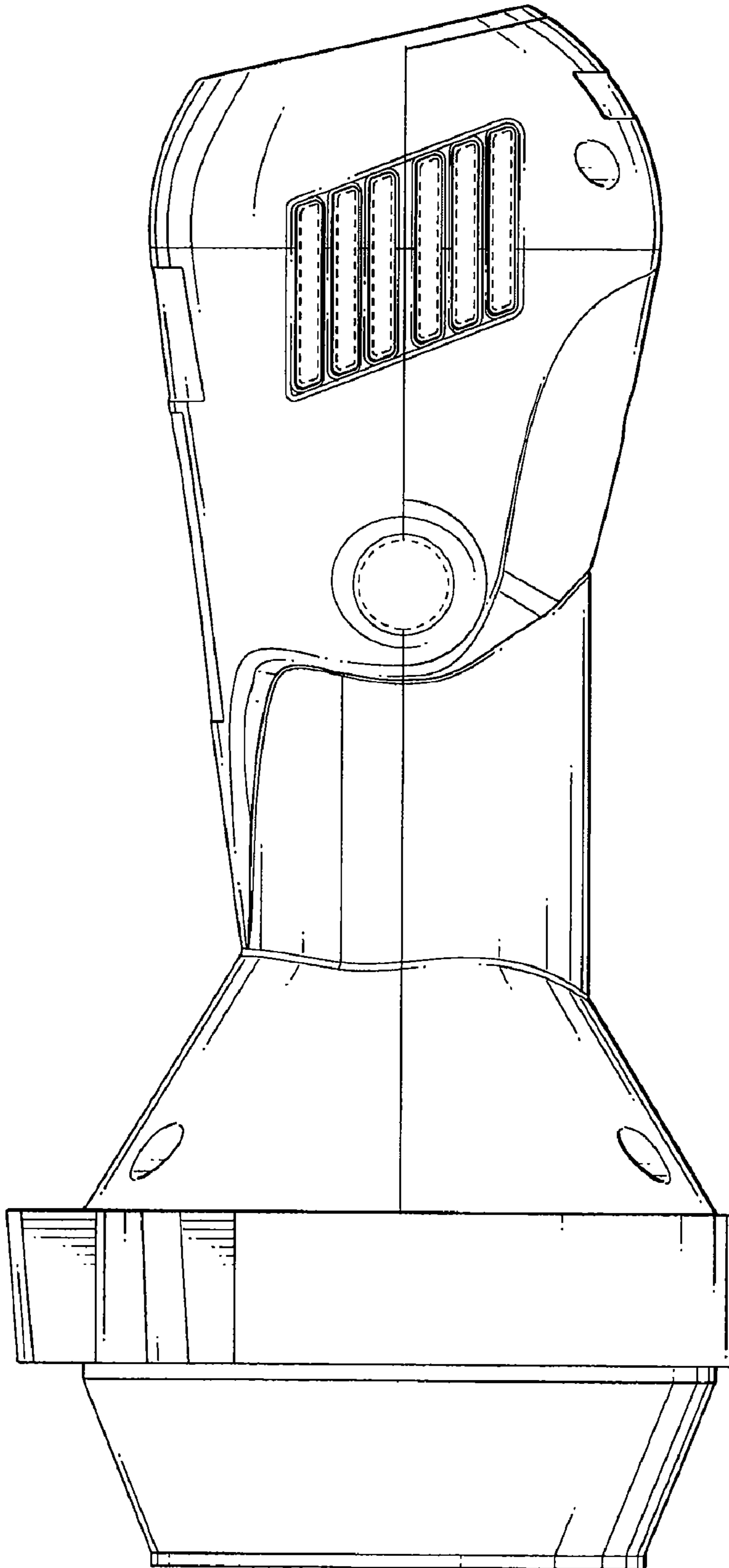


FIG. 3

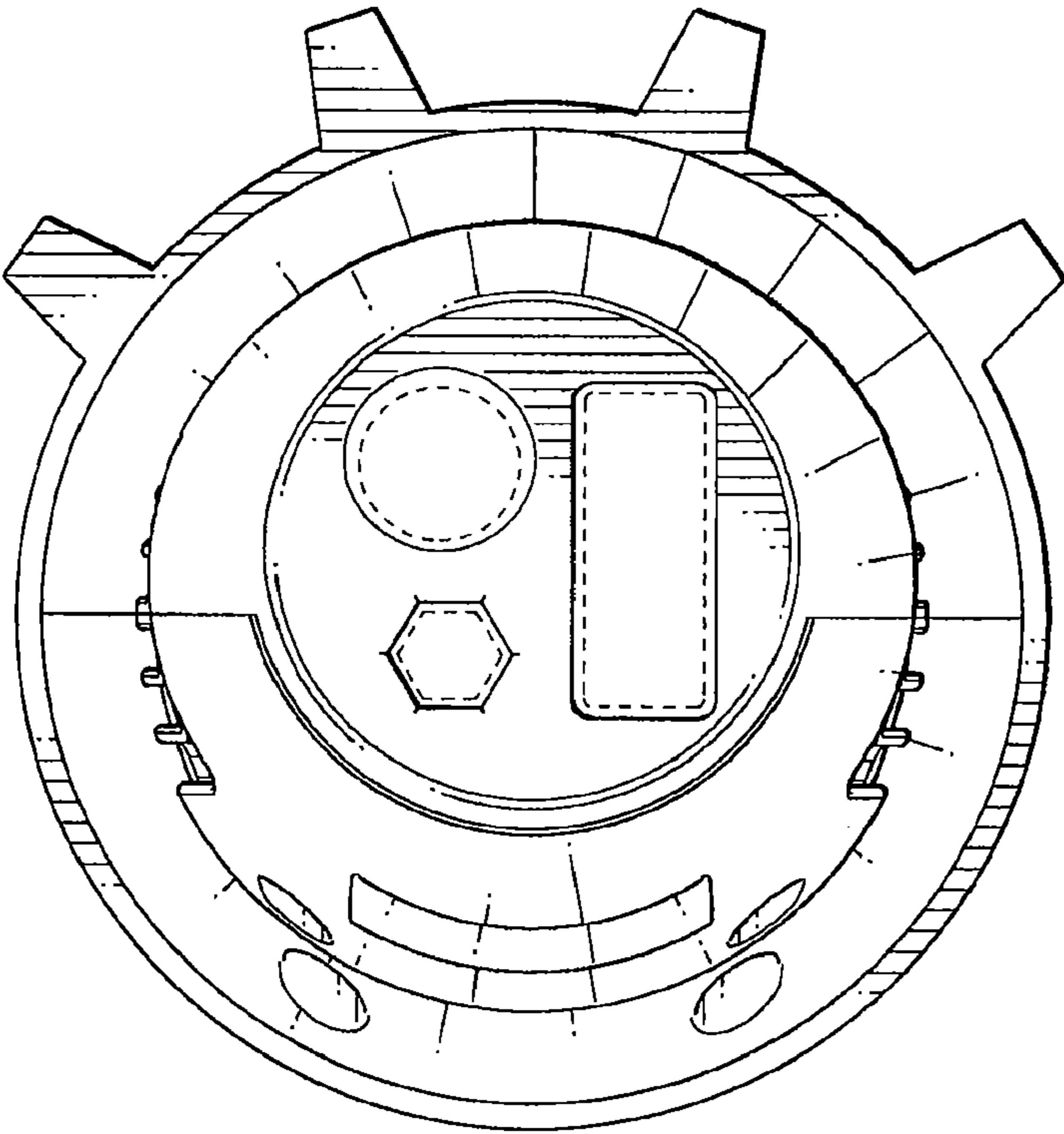


FIG. 4

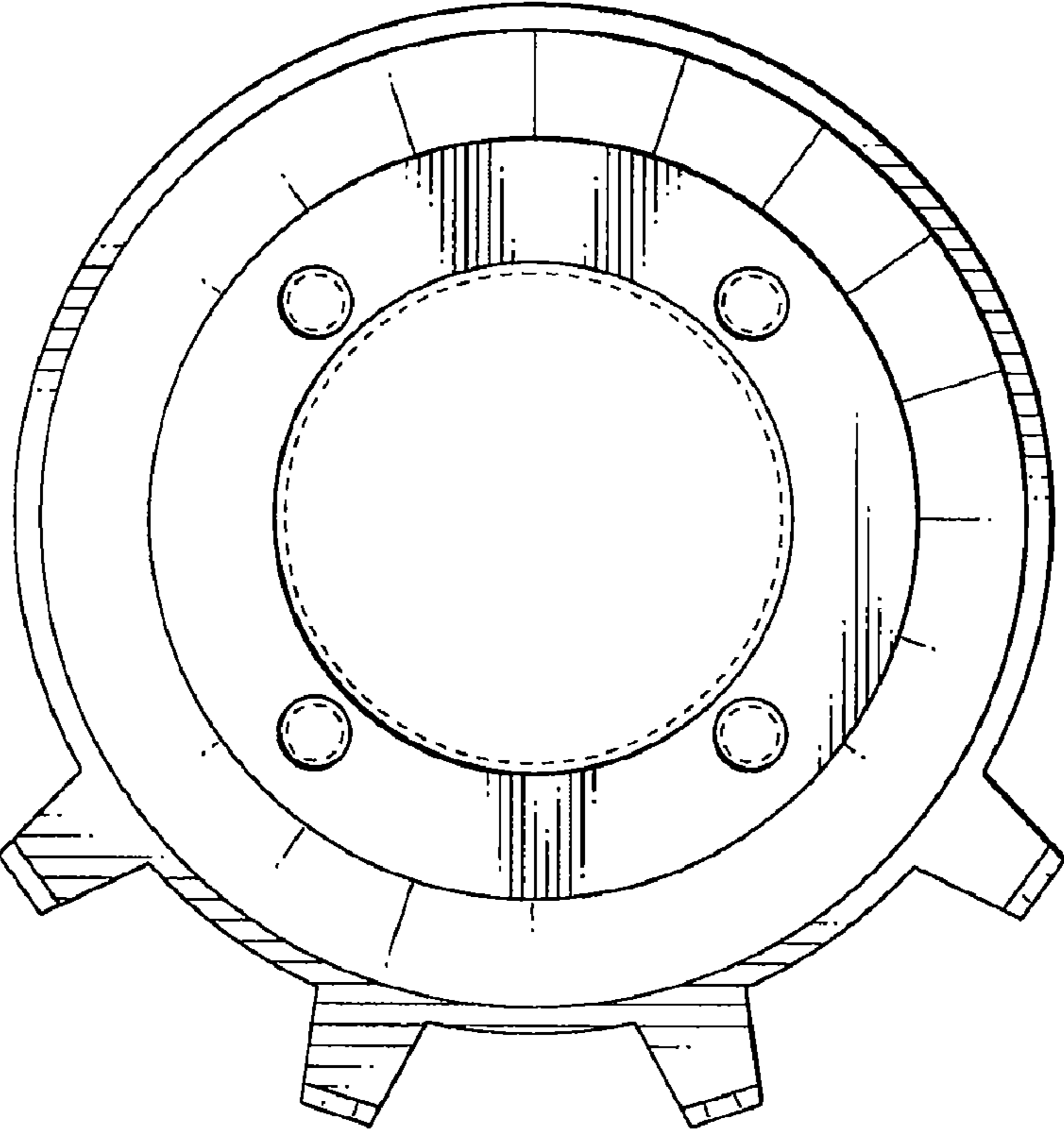


FIG. 5

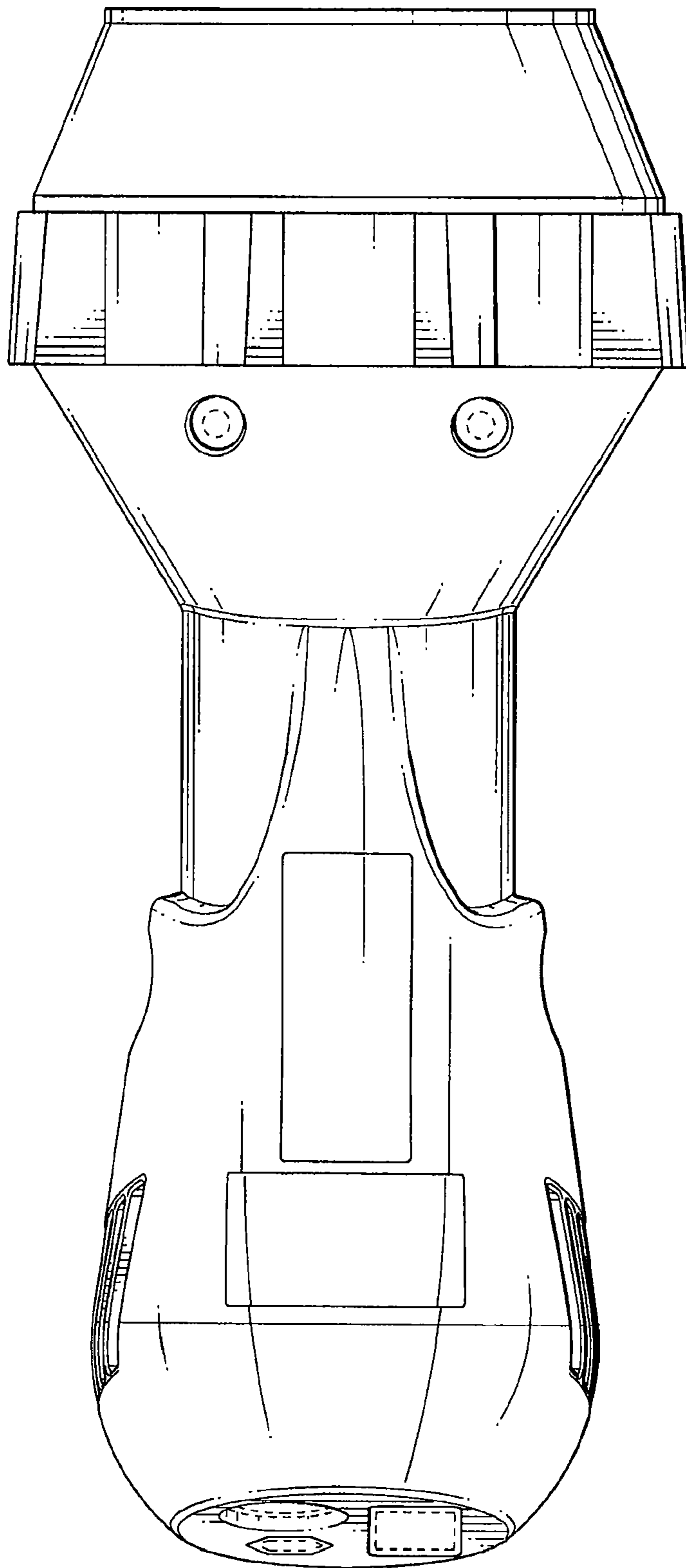


FIG. 6

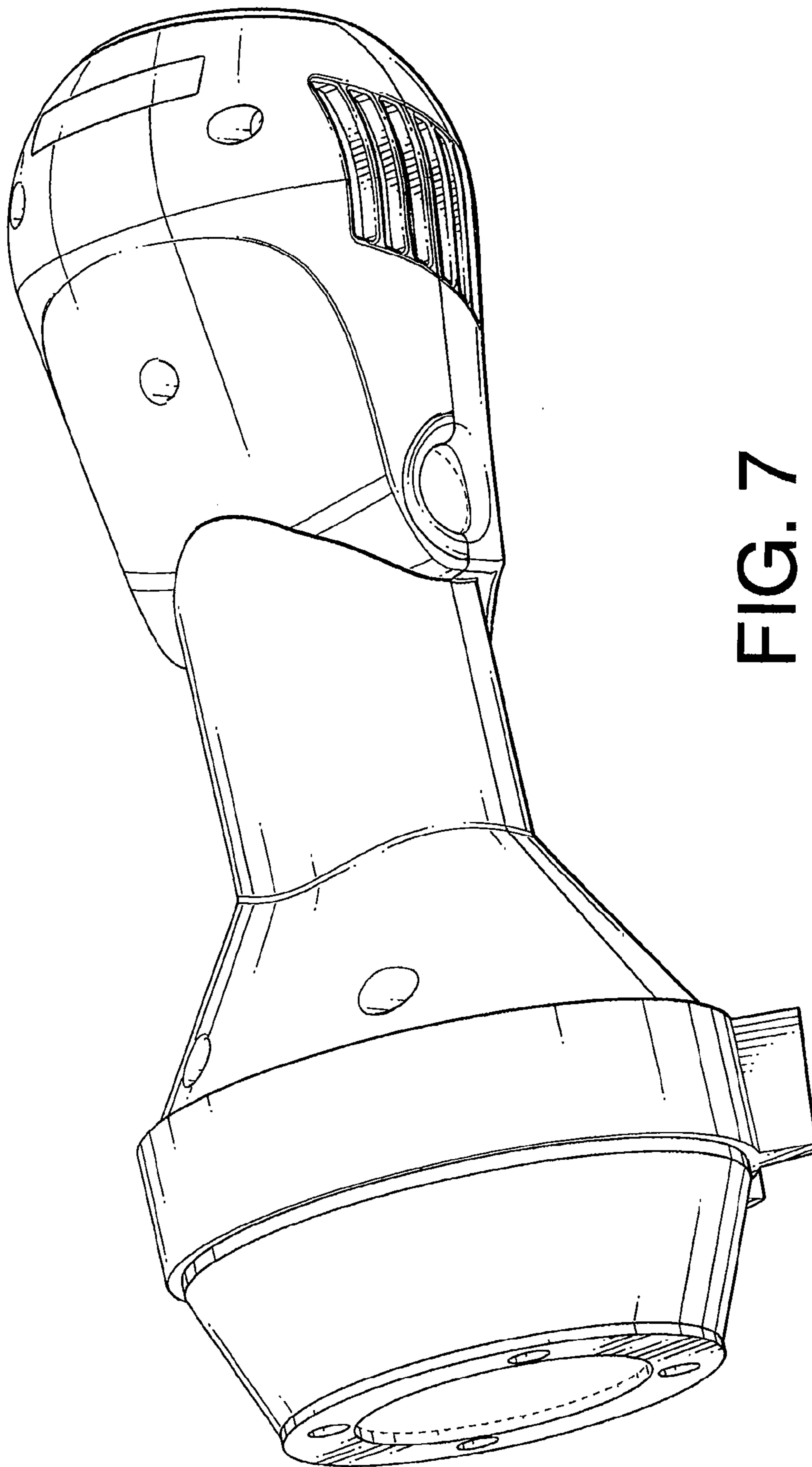


FIG. 7