



US00D607025S

(12) **United States Design Patent**
Niemi et al.

(10) **Patent No.:** **US D607,025 S**

(45) **Date of Patent:** **** Dec. 29, 2009**

(54) **CUTTING INSERT FOR CHIP REMOVAL**

D595,750 S * 7/2009 Ericksson et al. D15/139
2008/0240874 A1 * 10/2008 Nagaya et al. 407/113

(75) Inventors: **Matti Niemi**, Fagersta (SE); **Kaj Virtanen**, Fagersta (SE)

* cited by examiner

(73) Assignee: **Seco Tools AB**, Fagersta (SE)

Primary Examiner—Sandra Snapp
Assistant Examiner—Patricia Palasik
(74) *Attorney, Agent, or Firm*—WRB-IP LLP

(**) Term: **14 Years**

(21) Appl. No.: **29/319,116**

(57) **CLAIM**

(22) Filed: **Jun. 4, 2008**

The ornamental design for a cutting insert for chip removal, as shown and described.

(30) **Foreign Application Priority Data**

Dec. 4, 2007 (SE) 2007/0611

DESCRIPTION

(51) **LOC (9) Cl.** **15-09**

(52) **U.S. Cl.** **D15/139**

(58) **Field of Classification Search** D8/70;
D15/138, 139, 140; 407/33–52, 77, 107–120
See application file for complete search history.

FIG. 1 is a top plan view of the cutting insert for chip removal;
FIG. 2 is a first side view of the cutting insert for chip removal;
FIG. 3 is a second side view of the cutting insert for chip removal,

FIG. 4 is a bottom plan view of the cutting insert for chip removal;

FIG. 5 is a first end view of the cutting insert for chip removal rotated 180 degrees;

FIG. 6 is a second end view of the cutting insert for chip removal rotated 180 degrees; and,

FIG. 7 is a perspective view of the cutting insert for chip removal.

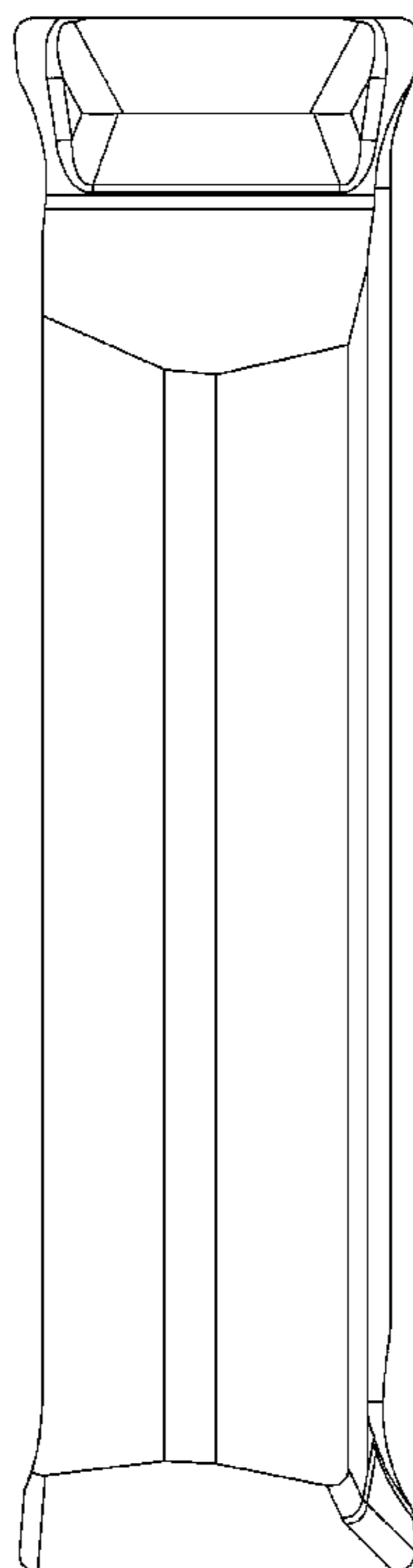
The broken lines in the drawings depict unclaimed environmental subject matter.

(56) **References Cited**

U.S. PATENT DOCUMENTS

4,340,325	A *	7/1982	Gowanlock	407/116
D275,760	S *	10/1984	Cochran	D15/139
D284,011	S *	5/1986	Pano	D15/139
5,007,775	A *	4/1991	Pantzar	407/113
5,076,739	A *	12/1991	Pano	407/116
D470,516	S *	2/2003	Andersson	D15/139
D470,517	S *	2/2003	Andersson	D15/139
D502,473	S *	3/2005	Tong	D15/139
D537,854	S *	3/2007	Tong	D15/139

1 Claim, 5 Drawing Sheets



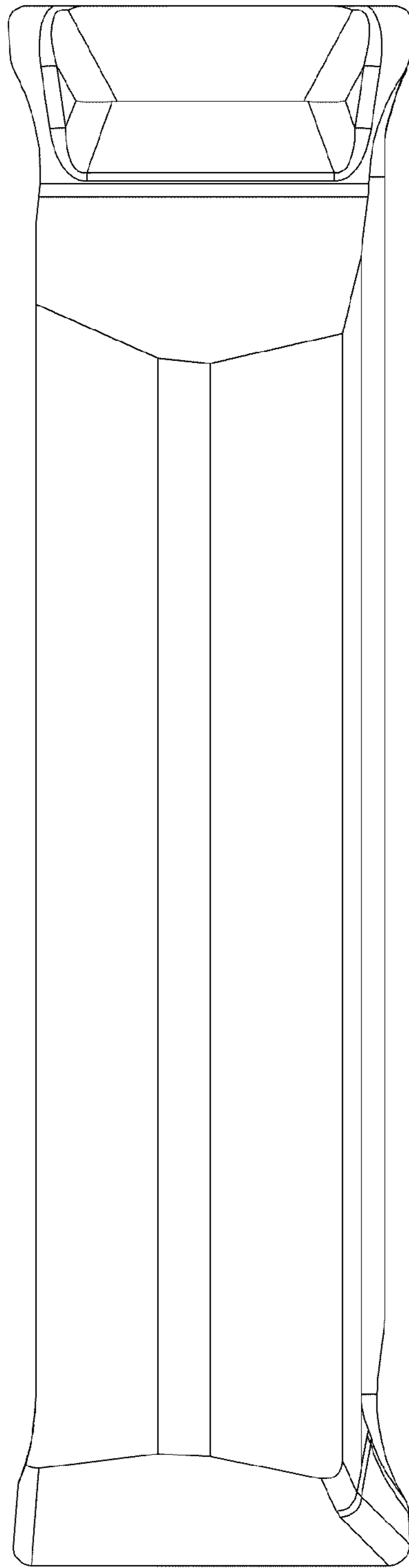


FIG. 1

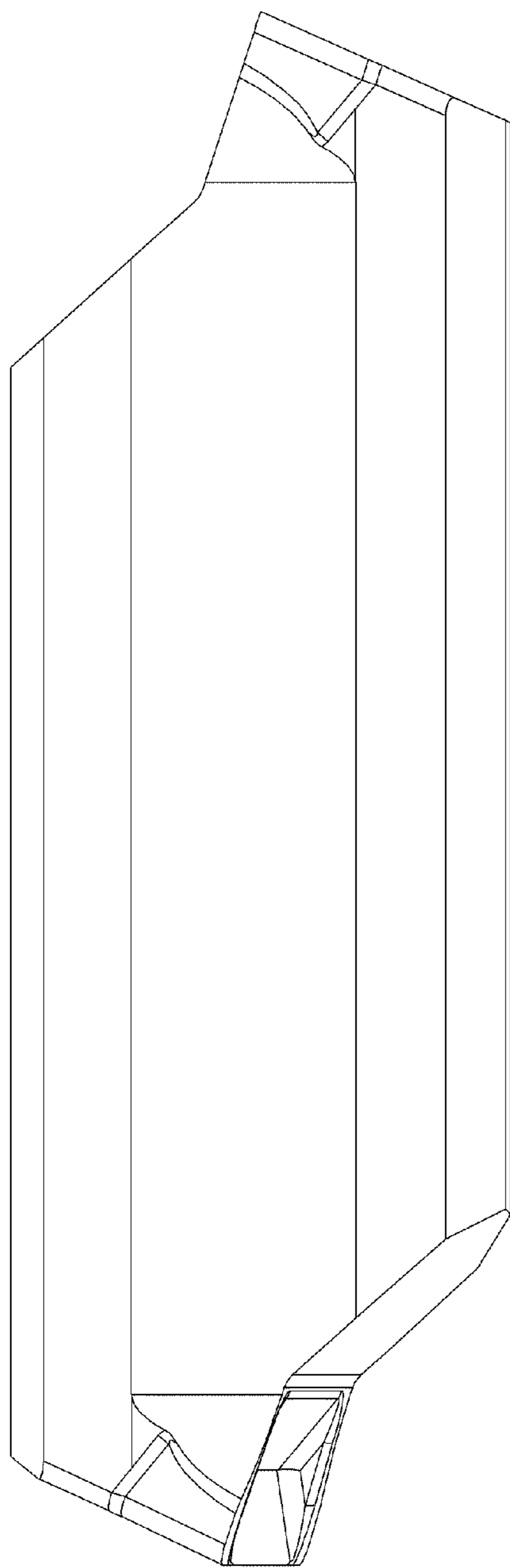


FIG. 2

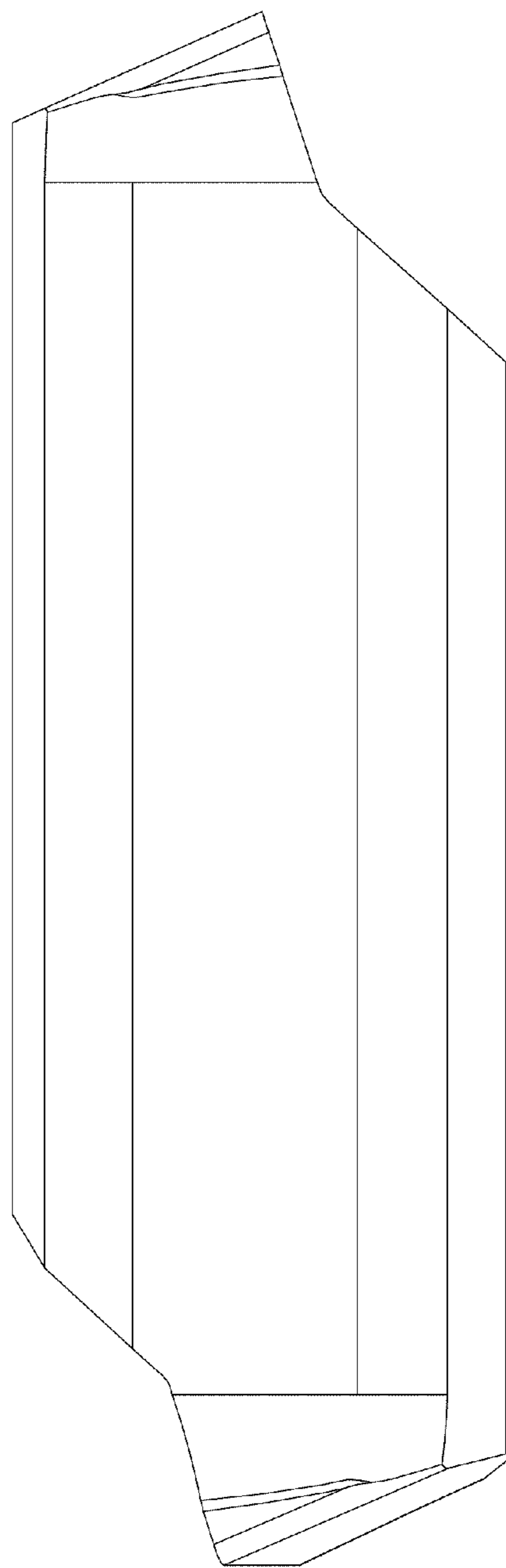


FIG. 3

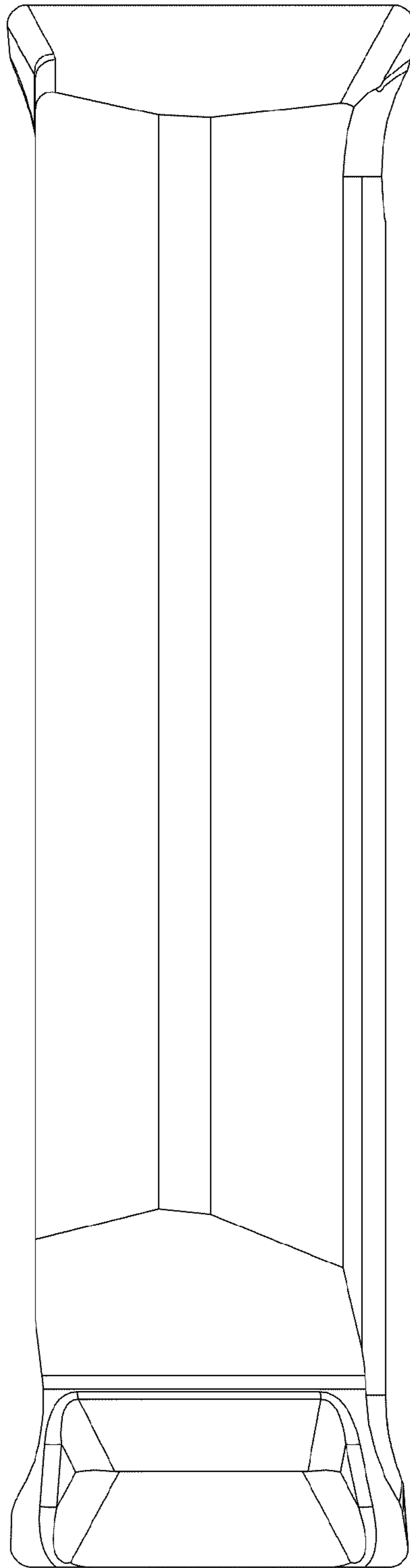


FIG. 4

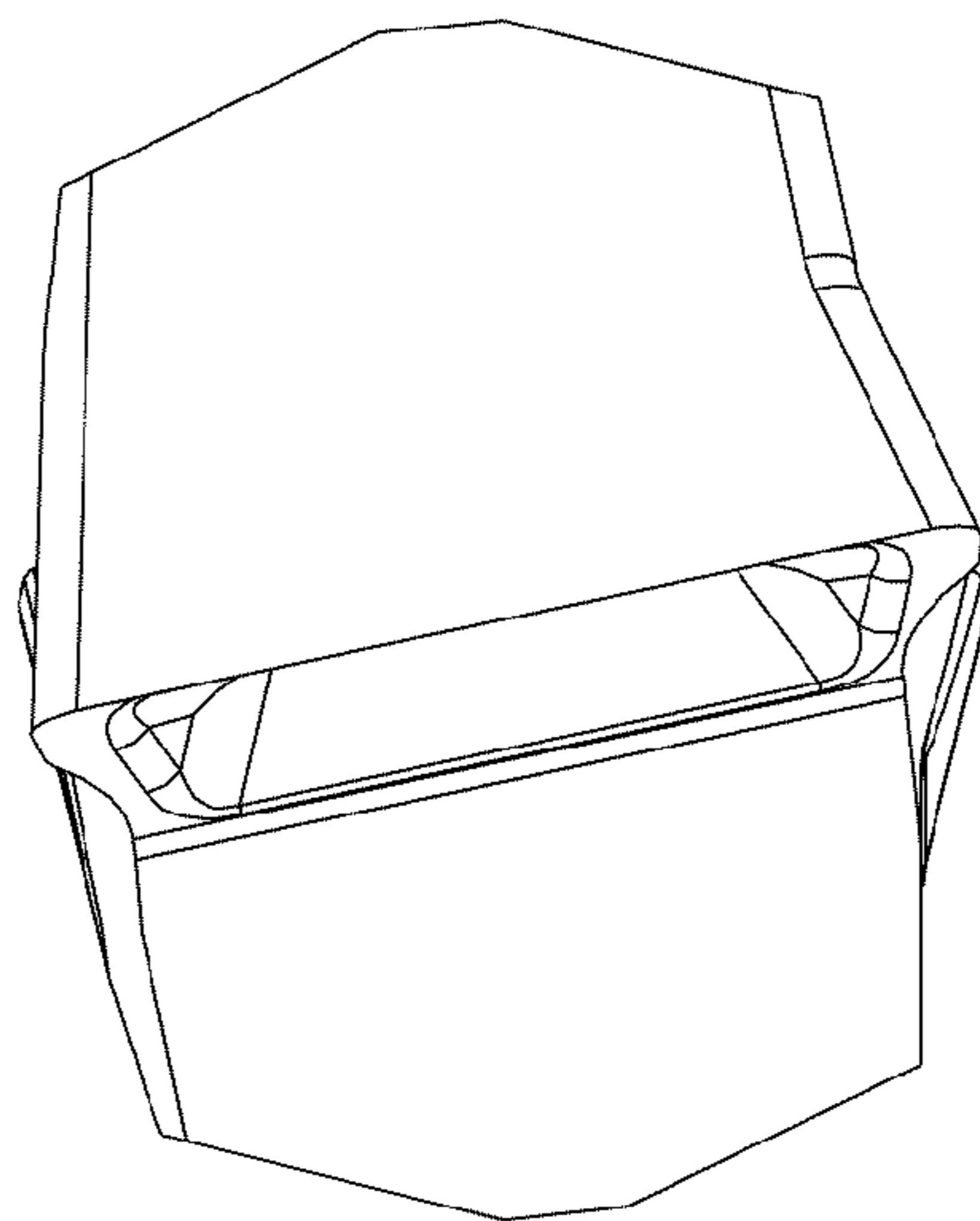


FIG. 5

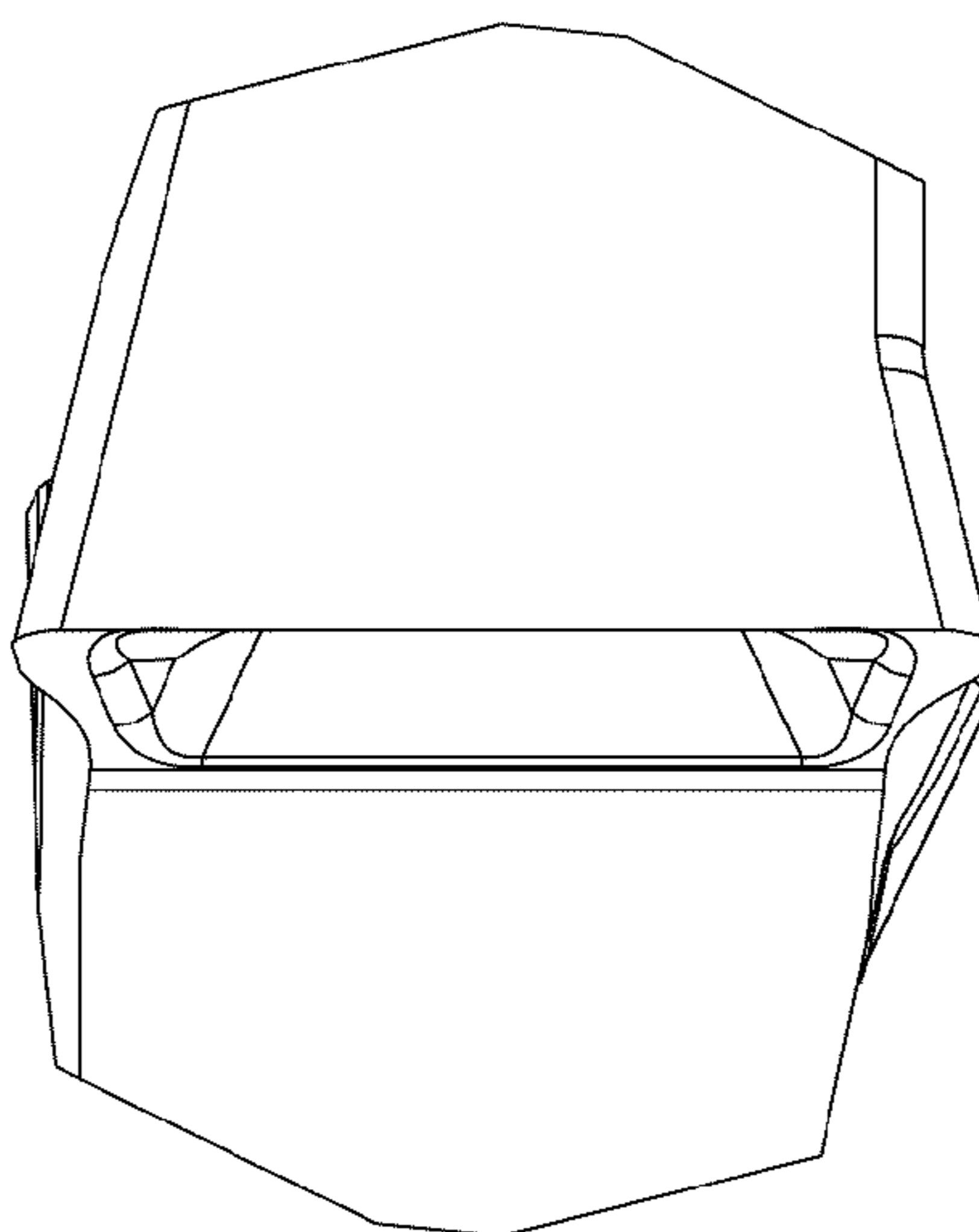


FIG. 6

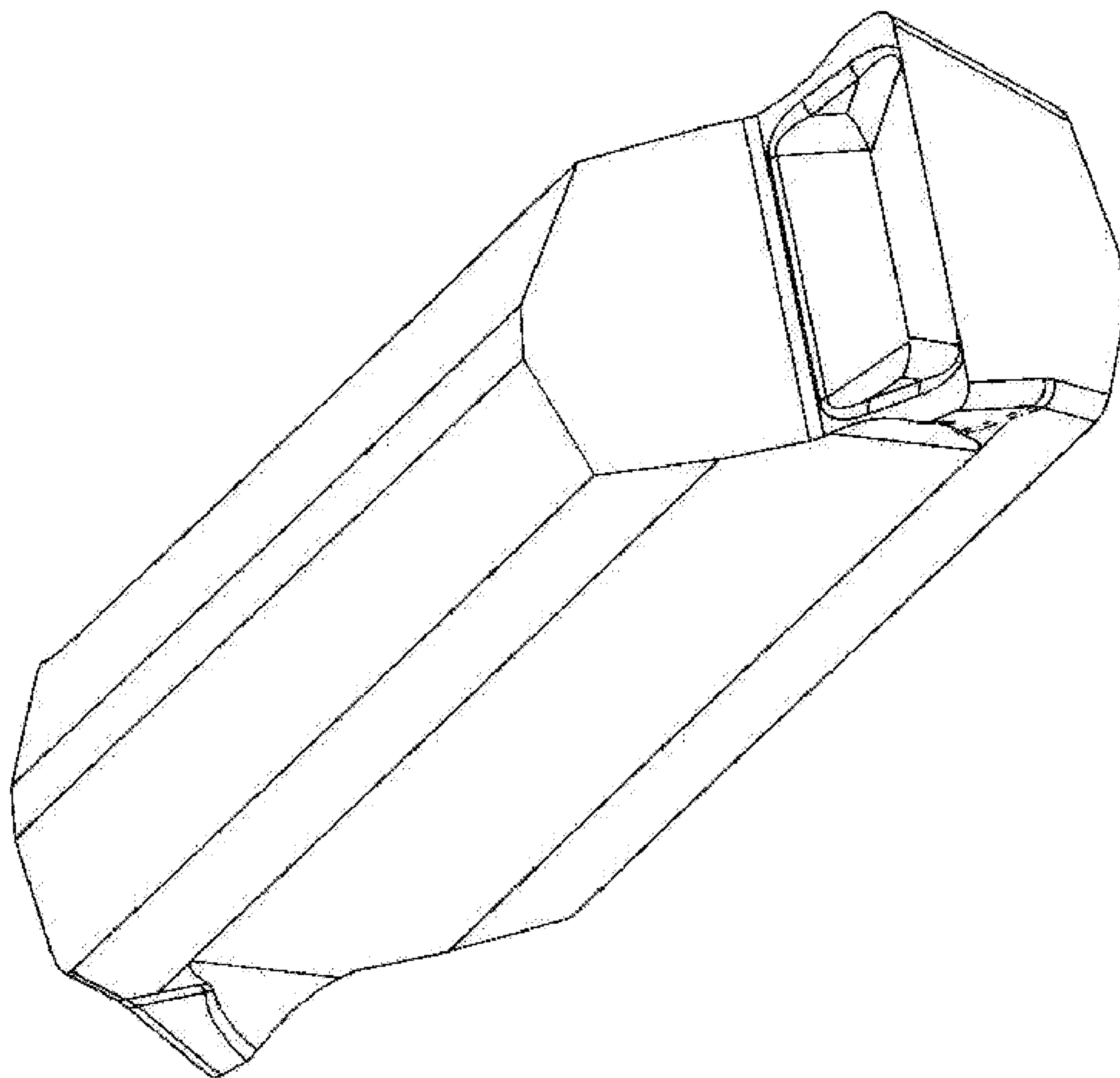


FIG. 7