



US00D607024S

(12) **United States Design Patent**
Dost et al.

(10) **Patent No.:** **US D607,024 S**

(45) **Date of Patent:** **** Dec. 29, 2009**

(54) **HINGE BORING BIT**

(75) Inventors: **Hagen Walter Dost**, Chicago, IL (US);
Javier Ibarra, Schaumburg, IL (US);
Michael Gong, Elk Grove Village, IL (US);
Georg Meier, Derendingen (CH);
Paul Hatch, Schaumburg, IL (US);
Hyung-Seok Lee, Chicago, IL (US);
Jason LePinske, Chicago, IL (US)

(73) Assignee: **Robert Bosch GmbH**, Stuttgart (DE)

(**) Term: **14 Years**

(21) Appl. No.: **29/310,841**

(22) Filed: **Sep. 12, 2008**

(51) **LOC (9) Cl.** **15-09**

(52) **U.S. Cl.** **D15/139**

(58) **Field of Classification Search** D8/70;
D15/138, 139, 140; 76/108.6; 83/845; 403/331,
403/381; 407/9, 33, 34, 42, 54, 63, 110,
407/113, 114, 115; 408/119, 224, 226-230
See application file for complete search history.

(56) **References Cited**

U.S. PATENT DOCUMENTS

D183,237	S *	7/1958	Aven, Jr.	D15/139
4,134,706	A	1/1979	Stewart	
D279,477	S	7/1985	Mittleman	
4,830,548	A	5/1989	Kandarian	
D306,123	S *	2/1990	Ramsey	D8/14
D338,213	S *	8/1993	Witt	D15/139
5,312,207	A	5/1994	Pomp	
D376,807	S *	12/1996	Satran et al.	D15/139
5,597,269	A *	1/1997	Ogawa	407/54
5,975,814	A	11/1999	Pomp	
D434,289	S *	11/2000	McMullin	D8/21
D438,550	S *	3/2001	Uhlig et al.	D15/139
6,213,692	B1 *	4/2001	Guehring et al.	408/144
D442,192	S *	5/2001	Strong	D15/139

6,354,773	B1	3/2002	Konen	
6,612,788	B2	9/2003	Thomas et al.	
6,652,202	B2	11/2003	Remke et al.	
D531,196	S *	10/2006	Watanabe	D15/139
D535,400	S *	1/2007	May	D24/146
2001/0031178	A1 *	10/2001	Remke et al.	408/1 R
2003/0180108	A1 *	9/2003	Gongola	408/199
2004/0156689	A1 *	8/2004	Shen	408/212
2007/0172325	A1 *	7/2007	Ebert	408/227
2008/0193237	A1 *	8/2008	Men et al.	408/226

OTHER PUBLICATIONS

Robert Bosch Unlimited, Range Catalogue, p. 60, 2007/2008.
Tungsten-carbide hinge cutting bit, http://ptocs.bosch-pt.com/boptocs/Category.jsp?jsessionid=DDA5EAA3851EF53FD98B21F2CB964279?division=zub&language=en-GB&ccat_id=8550.

* cited by examiner

Primary Examiner—Sandra Snapp
Assistant Examiner—Patricia Palasik

(74) *Attorney, Agent, or Firm*—Greer, Burns & Crain, Ltd.

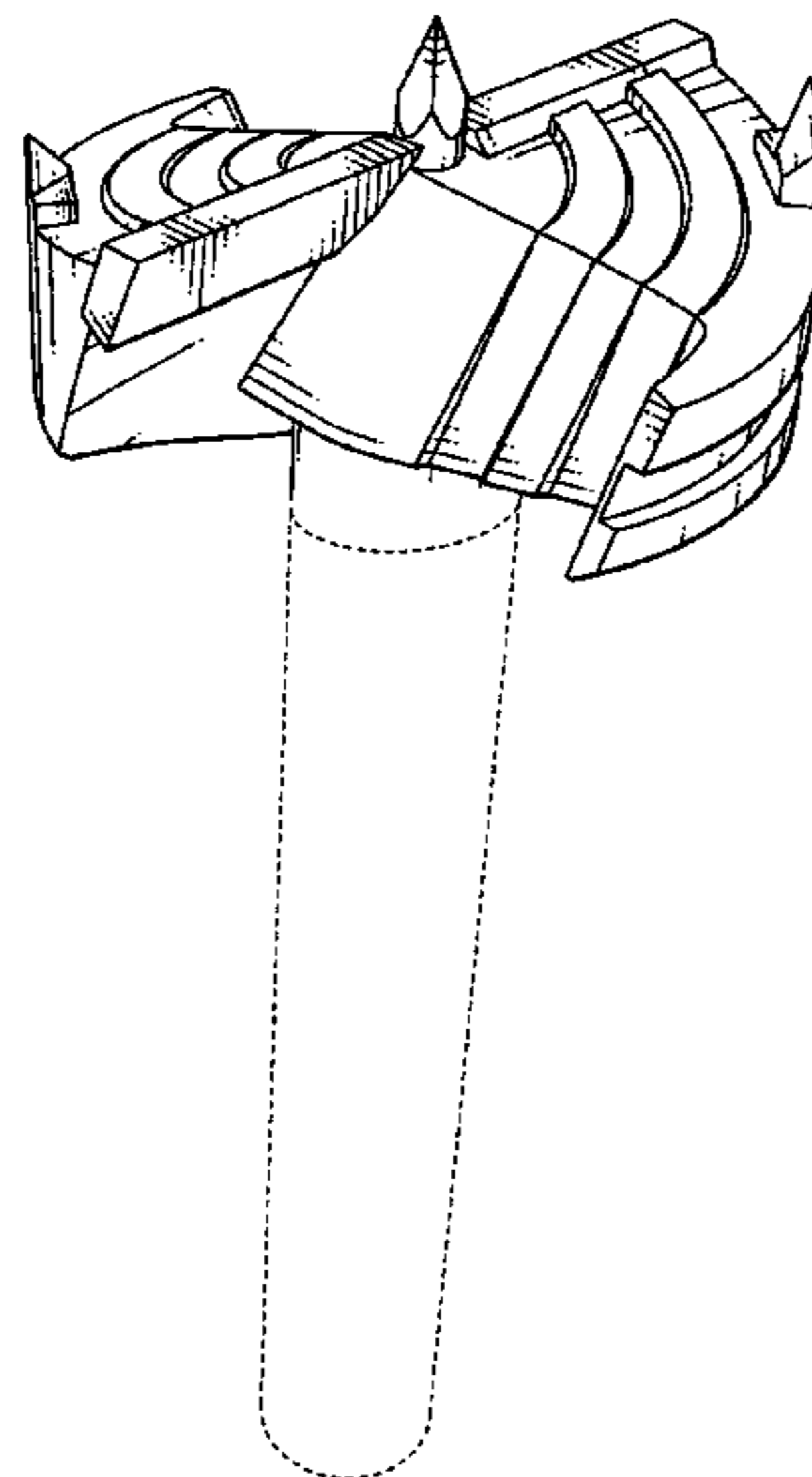
(57) **CLAIM**

The ornamental design for a hinge boring bit, as shown and described.

DESCRIPTION

FIG. 1 is a perspective view of the hinge boring bit;
FIG. 2 is a plan view taken along the line of the cutting blade portion of the tool shown in FIG. 1;
FIG. 3 is a plan view taken along a line perpendicular to the cutting blade portion of the tool shown in FIG. 1;
FIG. 4 is a top view of the tool shown in FIG. 1; and,
FIG. 5 is a bottom view of the tool shown in FIG. 1.
The broken lines in the drawings depict unclaimed environmental subject matter.

1 Claim, 3 Drawing Sheets



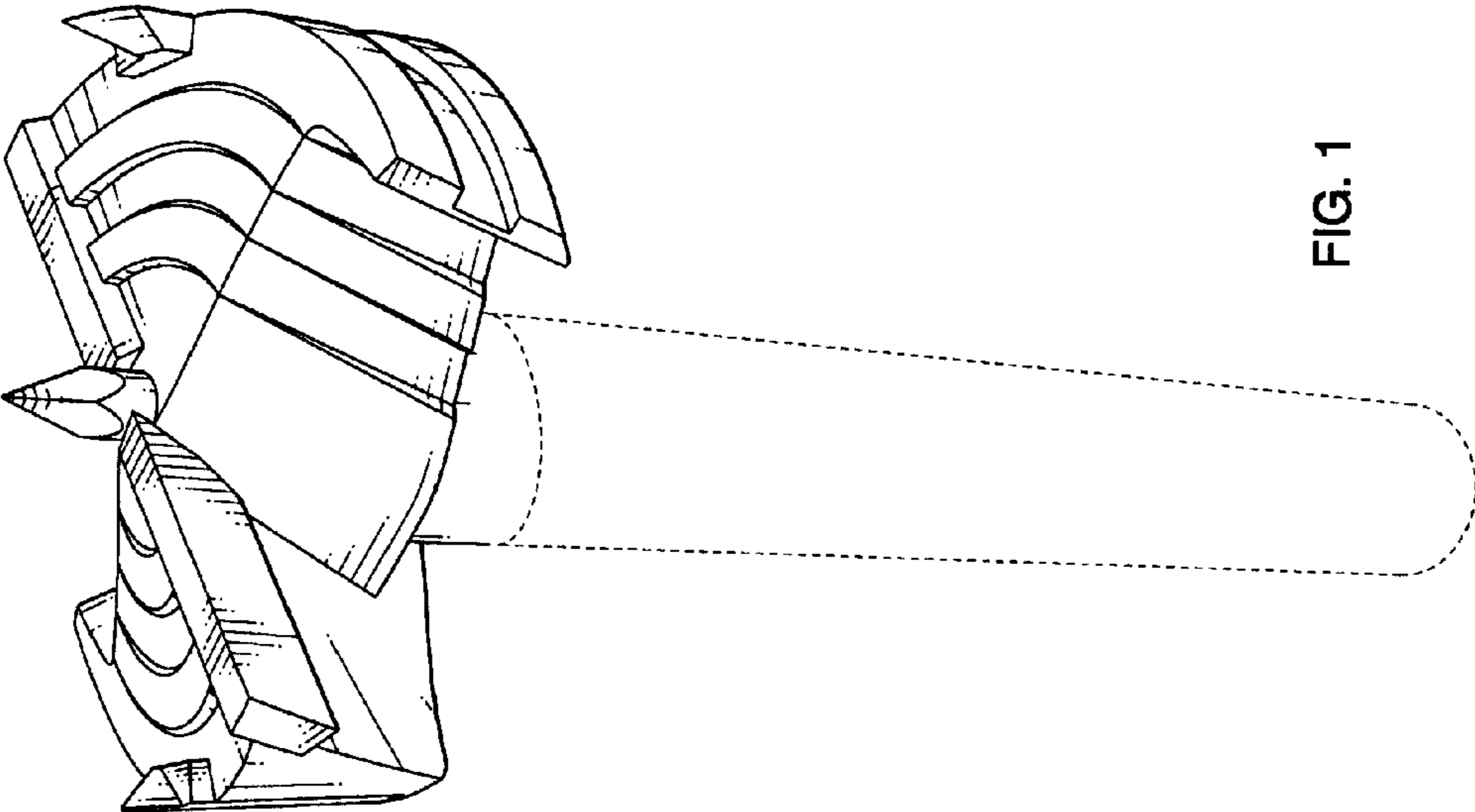


FIG. 1

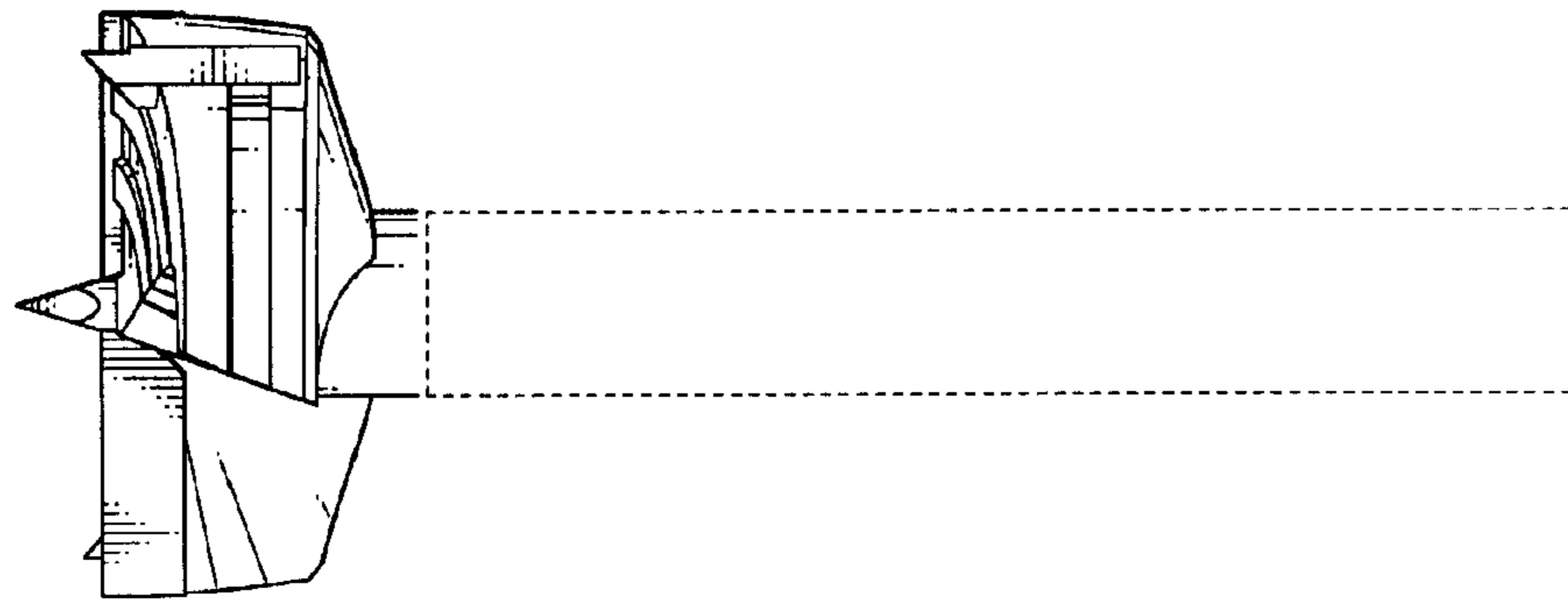


FIG. 3

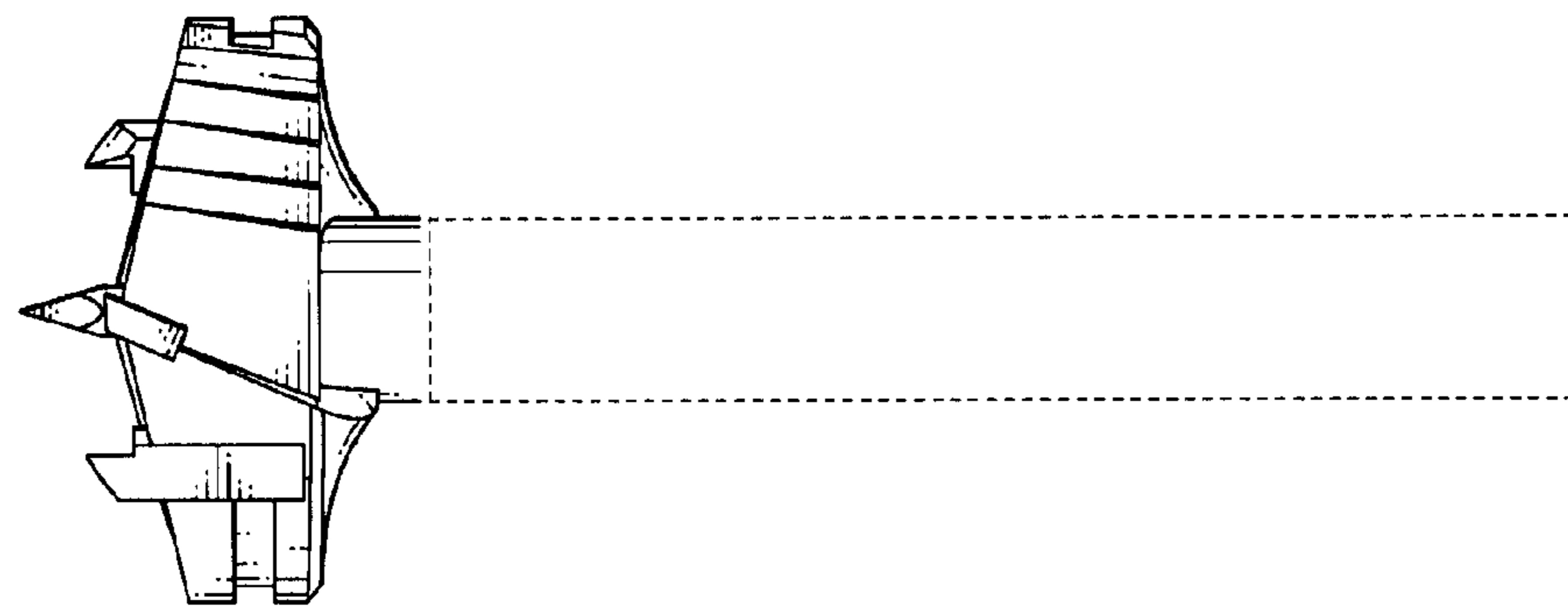


FIG. 2

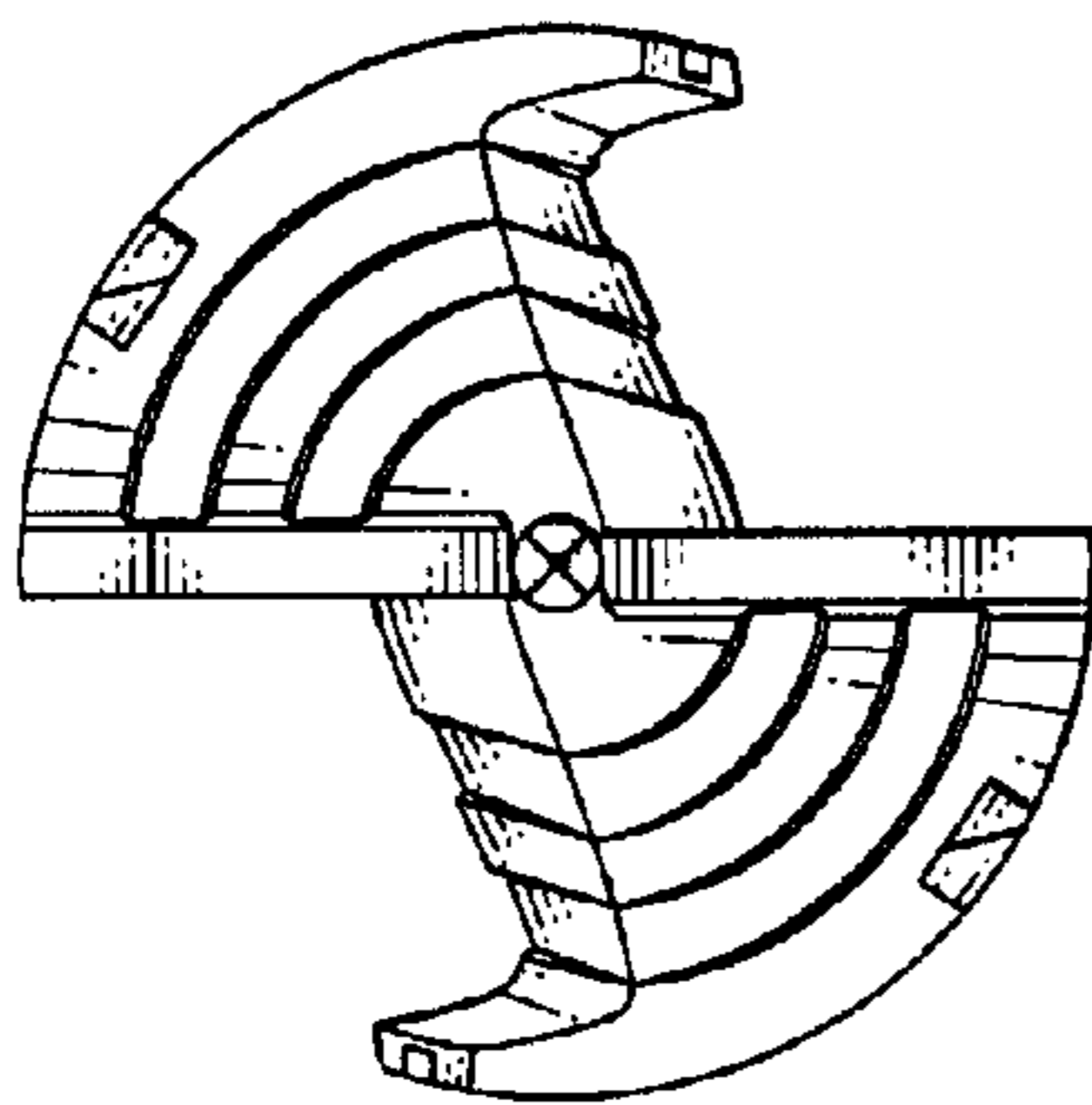


FIG. 4

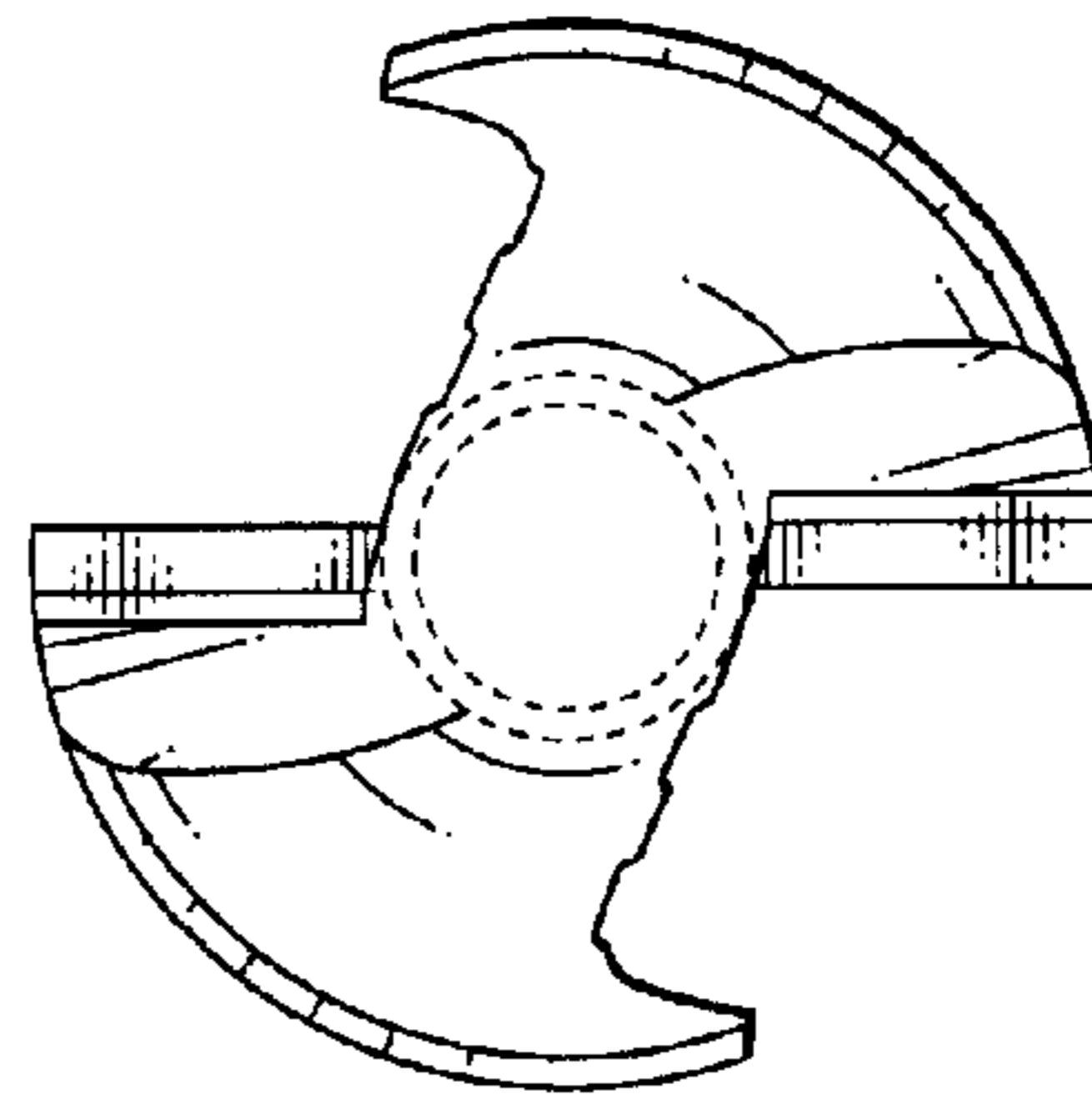


FIG. 5