



US00D607023S

(12) **United States Design Patent**  
**Perkovich et al.**

(10) **Patent No.:** **US D607,023 S**

(45) **Date of Patent:** **\*\* Dec. 29, 2009**

(54) **PULPER BLADE WEAR SHOE**

2007/0001040 A1\* 1/2007 Walters ..... 241/82.5

(75) Inventors: **Robert L. Perkovich**, Kimberly, WI (US); **Michael Piper**, Appleton, WI (US)

FOREIGN PATENT DOCUMENTS

EP 1036877 3/1999

(73) Assignee: **Voith Patent GmbH**, Heidenheim (DE)

\* cited by examiner

(\*\*) Term: **14 Years**

*Primary Examiner*—Sandra Snapp

*Assistant Examiner*—Patricia Palasik

(21) Appl. No.: **29/305,322**

(74) *Attorney, Agent, or Firm*—Taylor & Aust, P.C.

(22) Filed: **Mar. 18, 2008**

(57) **CLAIM**

(51) **LOC (9) Cl.** ..... **15-09**

The ornamental design for a pulper blade wear shoe, as shown and described.

(52) **U.S. Cl.** ..... **D15/139**

(58) **Field of Classification Search** ..... D8/70;  
D15/138, 139; 241/46.11, 46.17, 68-70,  
241/162, 273, 291, 292, 298, 300, 6  
See application file for complete search history.

**DESCRIPTION**

(56) **References Cited**

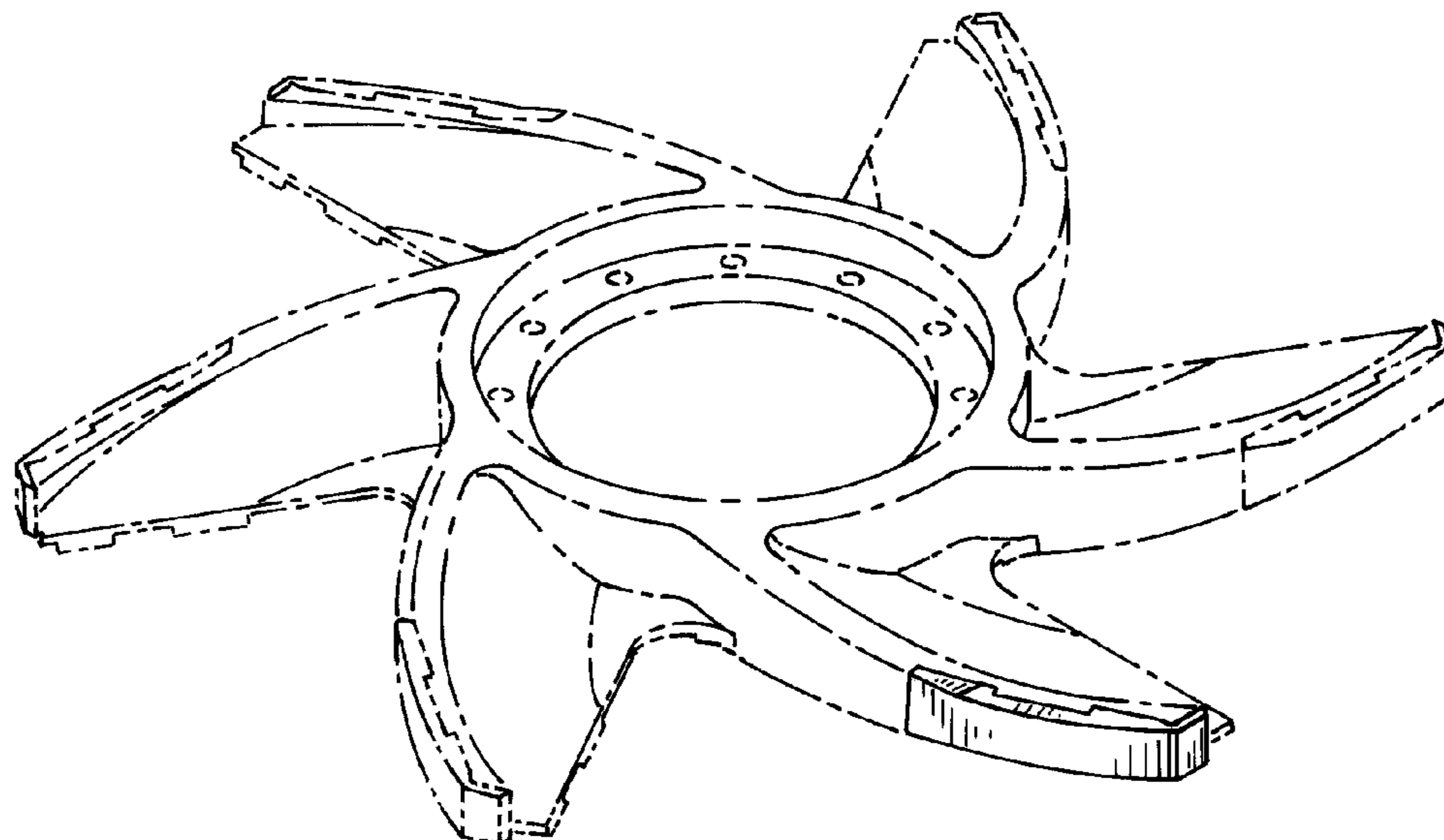
U.S. PATENT DOCUMENTS

2,235,952	A *	3/1941	Toms	56/303
3,876,159	A *	4/1975	Kidd	241/32
4,480,796	A *	11/1984	Paraskevas	241/46.11
5,560,713	A *	10/1996	Christenson	384/42
5,649,668	A *	7/1997	Steinberg	241/192
5,918,822	A *	7/1999	Sternby	241/46.17
5,931,396	A *	8/1999	Firdaus	241/73
6,012,663	A *	1/2000	Bouldin	241/294
6,176,445	B1 *	1/2001	Shinn	241/294
6,305,555	B1 *	10/2001	Wilcher	210/525
6,705,554	B1	3/2004	Kölle	241/46.11
6,877,959	B2 *	4/2005	McWhirter	416/228
7,090,158	B2 *	8/2006	Snider et al.	241/235
7,290,726	B2 *	11/2007	Latham	241/294
7,461,804	B2 *	12/2008	Walters	241/292.1

FIG. 1 is a perspective view of a pulper blade wear shoe showing our new design, shown in use with a rotor blade, FIG. 2 is a another perspective view of the pulper blade wear shoe of FIG. 1, shown in use with the rotor blade of FIG. 1; FIG. 3 is a perspective view of a pulper blade wear shoe; FIG. 4 is another perspective view of the pulper blade wear shoe of FIG. 3; FIG. 5 is a top view thereof; FIG. 6 is a bottom view thereof; FIG. 7 is a rear view thereof; FIG. 8 is a front view thereof; FIG. 9 is an end view thereof; and, FIG. 10 is an opposite end view thereof.

The broken lines in the drawings depict unclaimed environmental subject matter.

**1 Claim, 3 Drawing Sheets**



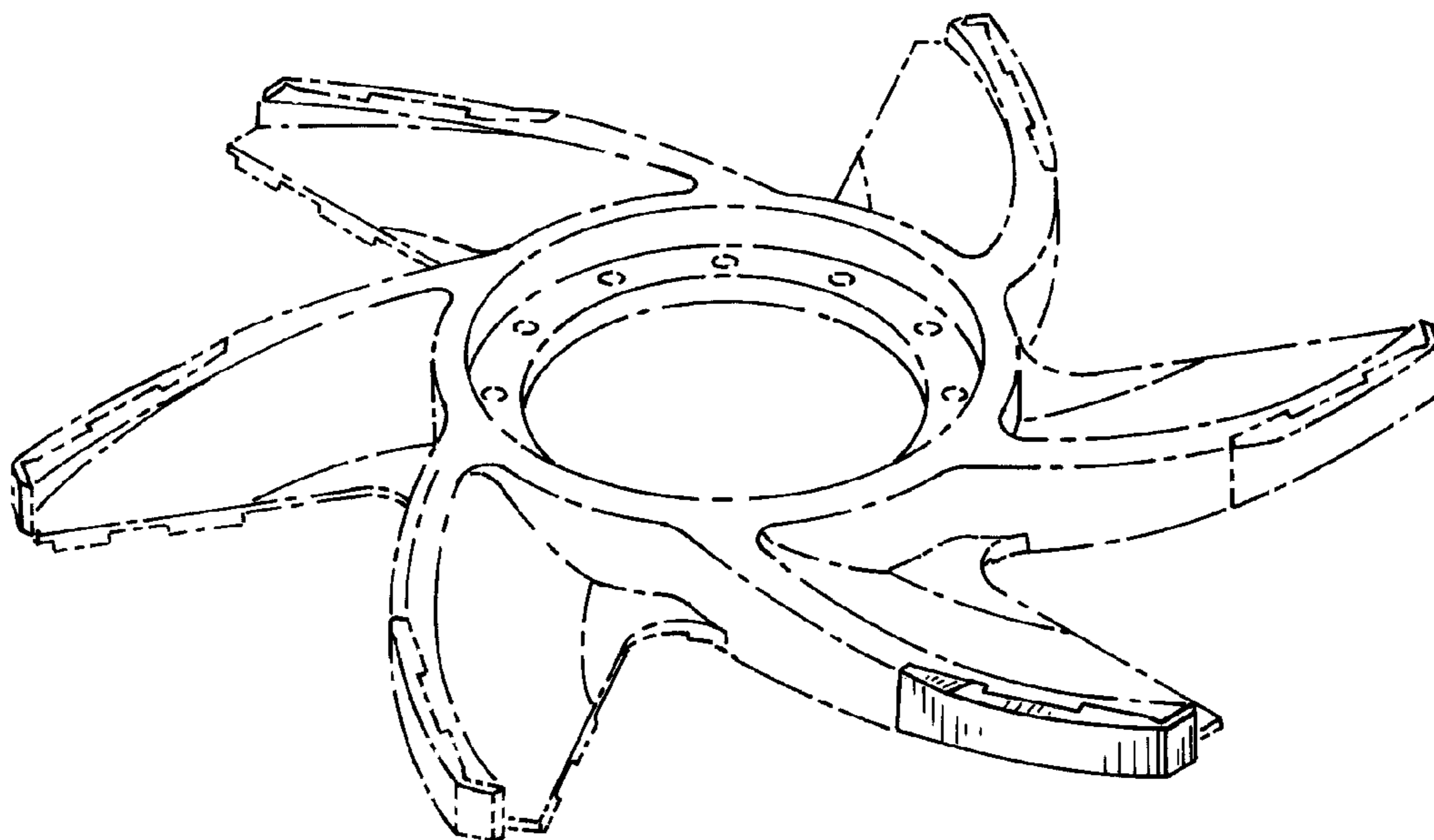


Fig. 1

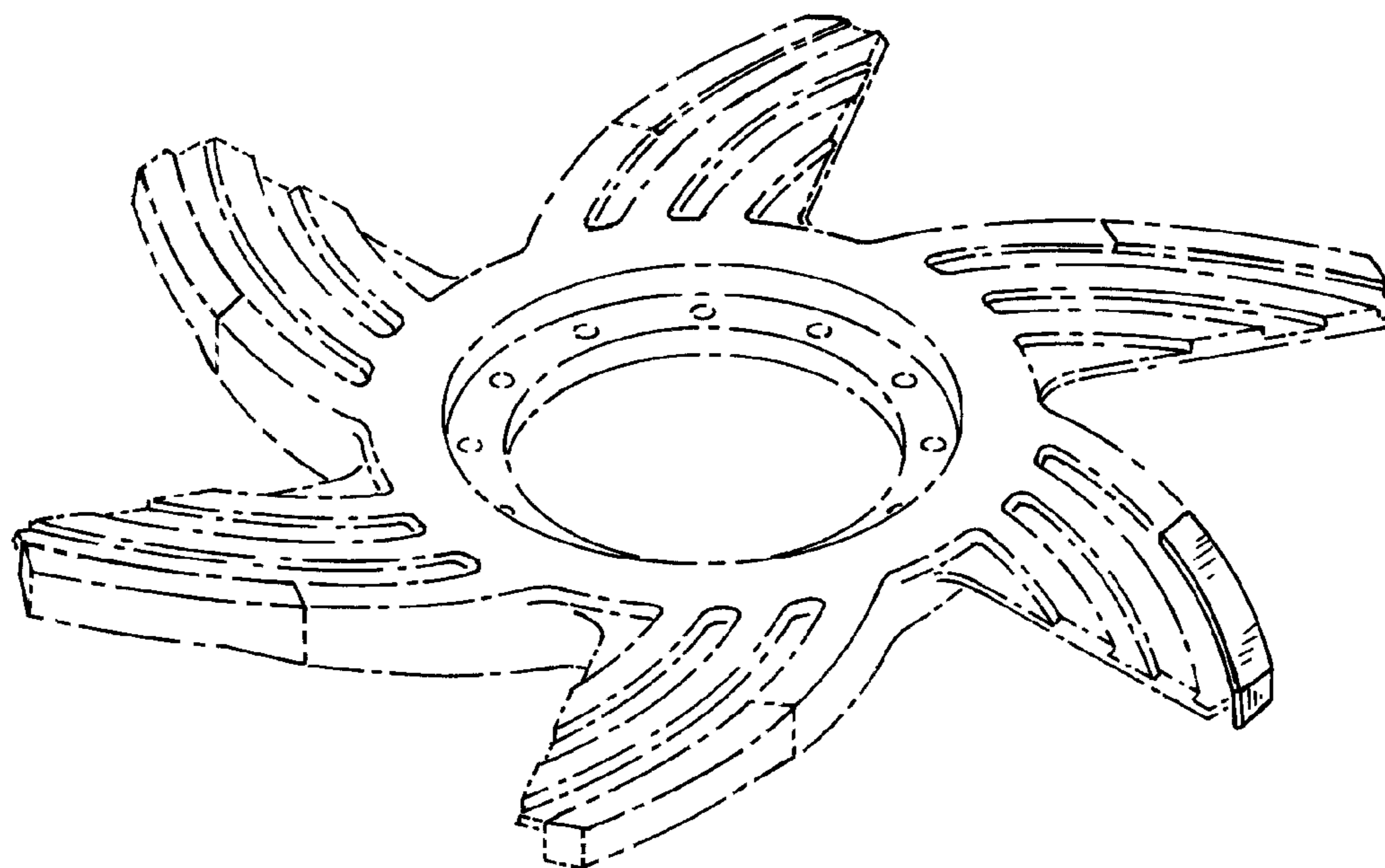


Fig. 2

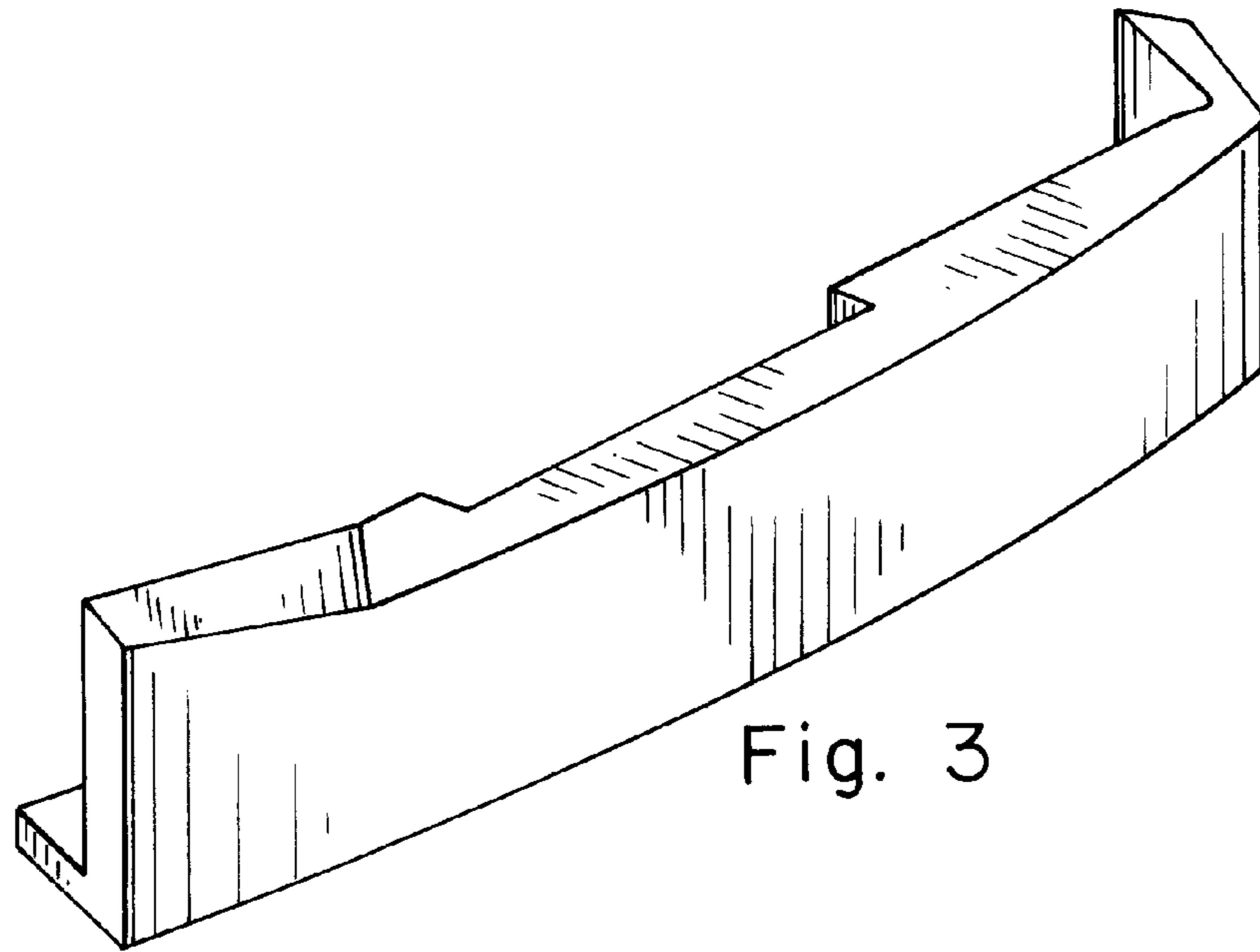


Fig. 3

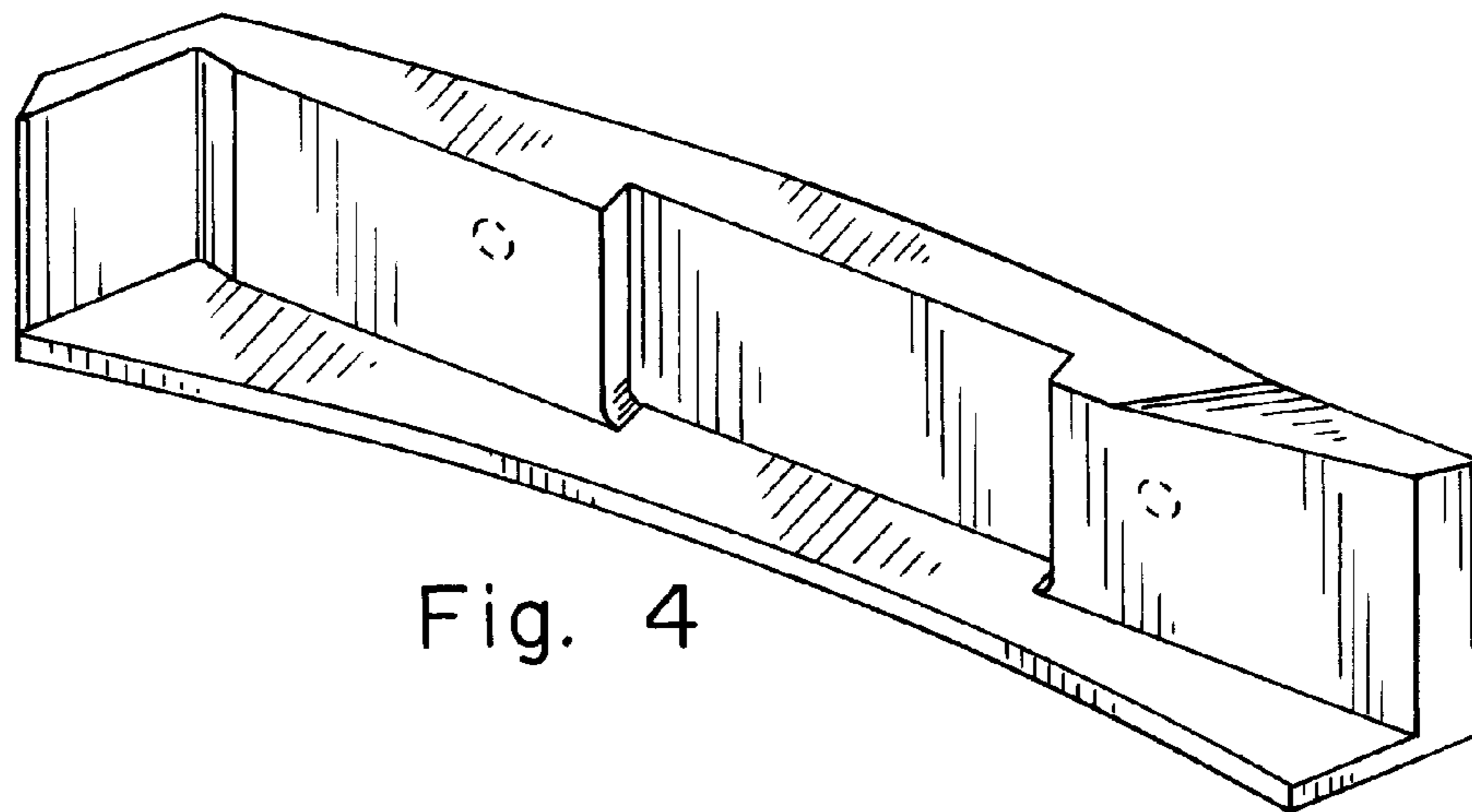


Fig. 4



Fig. 5

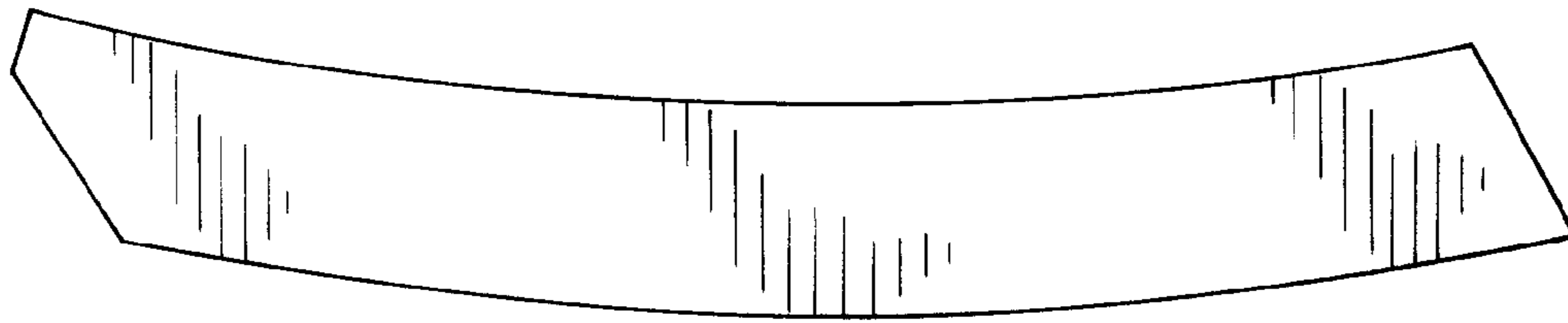


Fig. 6

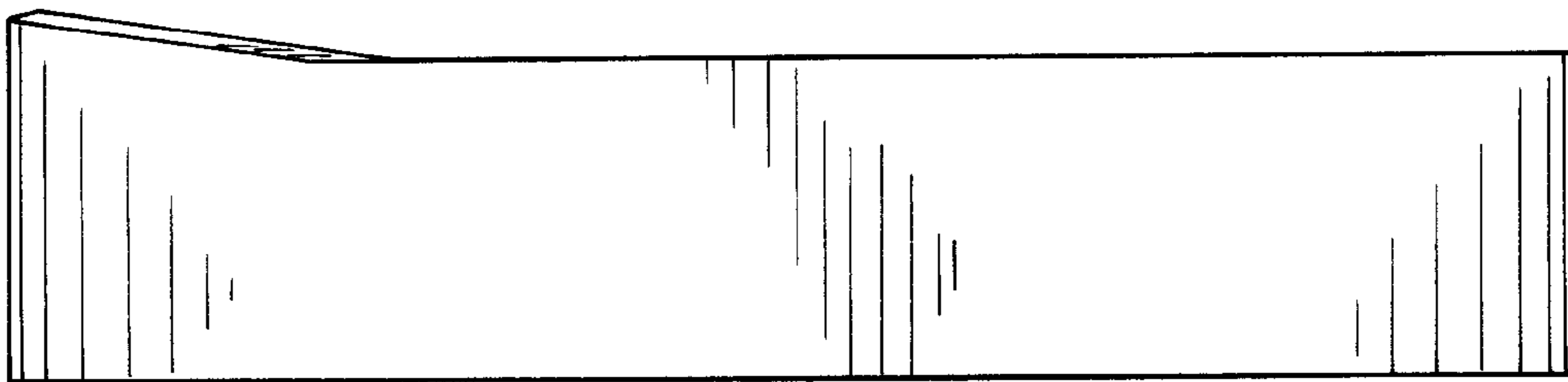


Fig. 7

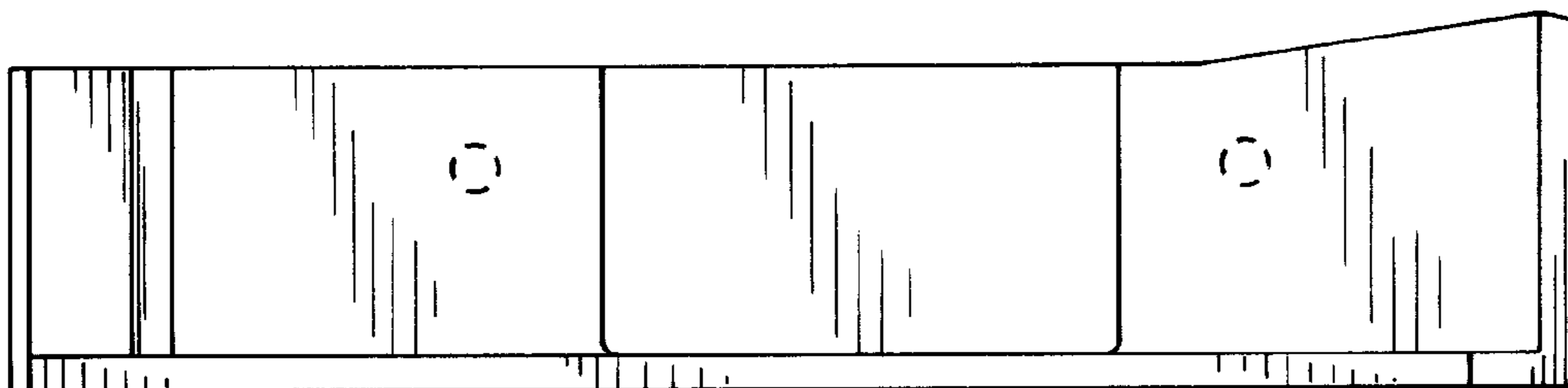


Fig. 8

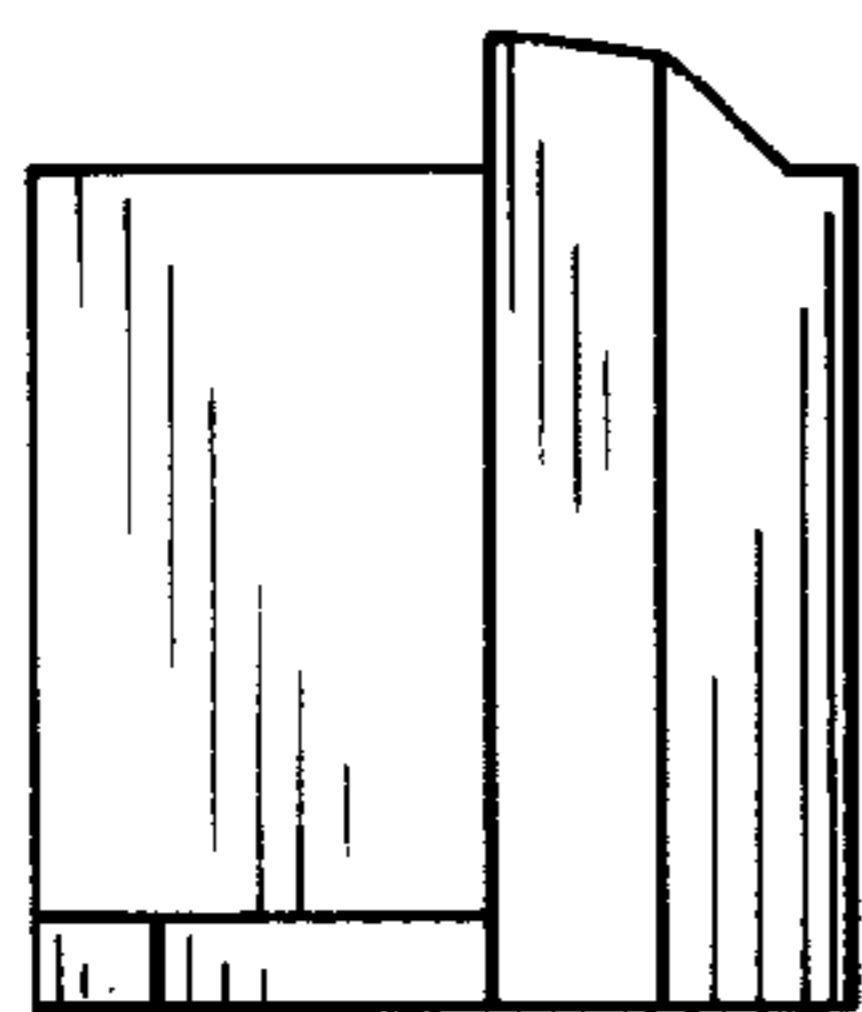


Fig. 9

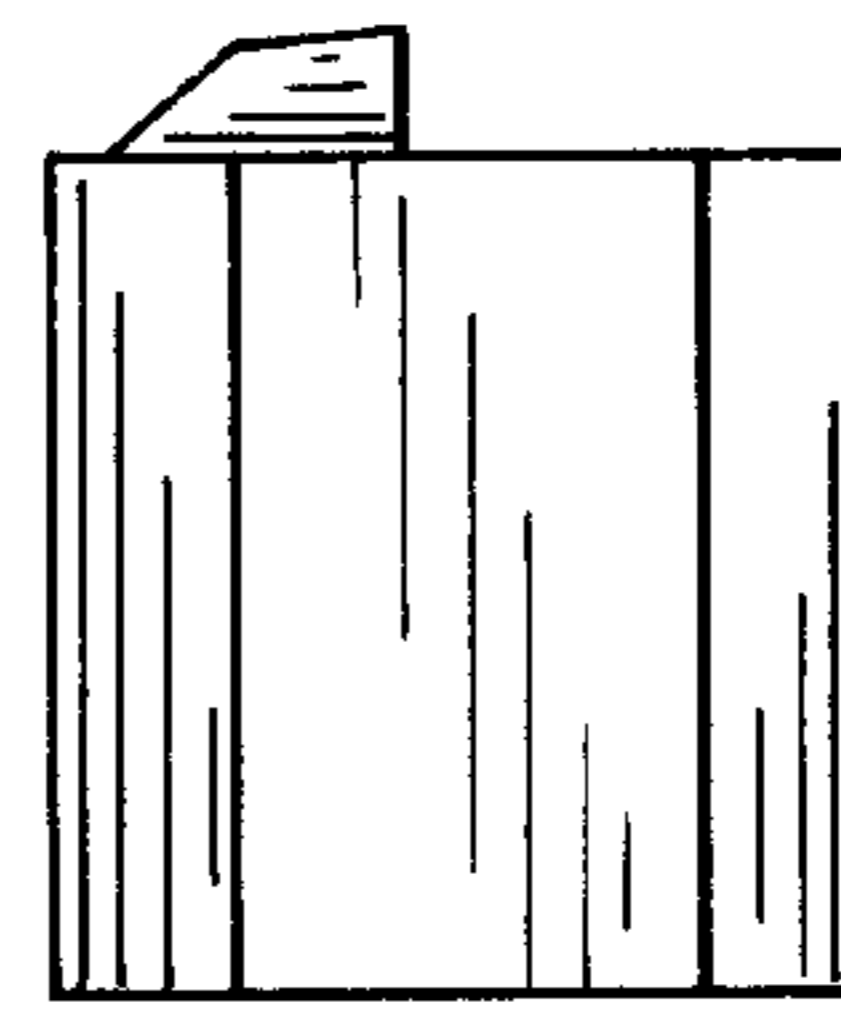


Fig. 10