



US00D607017S

(12) **United States Design Patent**  
**Fraley et al.**

(10) **Patent No.:** **US D607,017 S**

(45) **Date of Patent:** **\*\* Dec. 29, 2009**

(54) **TILLER**

(75) Inventors: **J. Phillip Fraley**, Winfield, AL (US);  
**John W. Davis, III**, Winfield, AL (US)

(73) Assignee: **King Kutter, Inc.**, Winfield, AL (US)

(\*\*) Term: **14 Years**

(21) Appl. No.: **29/334,247**

(22) Filed: **Mar. 23, 2009**

(51) **LOC (9) Cl.** ..... **15-03**

(52) **U.S. Cl.** ..... **D15/11; D15/10; D15/27**

(58) **Field of Classification Search** ..... D15/10-12,  
D15/27, 28; 172/810, 1, 123, 125, 42  
See application file for complete search history.

(56) **References Cited**

U.S. PATENT DOCUMENTS

2,986,863	A *	6/1961	McCarty	56/364
3,544,013	A *	12/1970	Dorfman	239/656
3,892,278	A *	7/1975	Smith et al.	172/70
D258,592	S *	3/1981	Staley	D15/27
4,396,067	A *	8/1983	Enters et al.	172/42
4,512,414	A *	4/1985	Kuhn et al.	172/112
4,761,038	A *	8/1988	Hackmack	299/10
4,775,014	A *	10/1988	Ranner	172/72
4,878,713	A *	11/1989	Zanetis	299/39.5
4,892,154	A *	1/1990	Ranner	172/72
5,101,911	A *	4/1992	Lee et al.	172/48
5,232,054	A *	8/1993	Van Blaricon et al.	172/311

5,261,218	A *	11/1993	Jones et al.	56/366
D364,174	S *	11/1995	McPherson et al.	D15/27
5,581,914	A *	12/1996	Sinykin	37/223
5,632,106	A *	5/1997	Sinykin	37/222
D388,440	S *	12/1997	Bentley	D15/13
5,809,671	A *	9/1998	Sinykin	37/219
6,467,550	B1 *	10/2002	Firdaus	172/68
6,497,294	B2 *	12/2002	Vought	172/122
7,021,393	B2 *	4/2006	Khairallah et al.	172/1
2004/0194984	A1 *	10/2004	Firdaus	172/518
2005/0121208	A1 *	6/2005	Khairallah et al.	172/810
2006/0243463	A1 *	11/2006	Mensch	172/245

\* cited by examiner

*Primary Examiner*—Stella M Reid

*Assistant Examiner*—Mark A Goodwin

(74) *Attorney, Agent, or Firm*—Angela Holt; Lanier Ford Shaver & Payne P.C.

(57) **CLAIM**

The ornamental design for a tiller, as shown and described.

**DESCRIPTION**

FIG. 1 is front view of a tiller showing our new design.

FIG. 2 is a top view thereof.

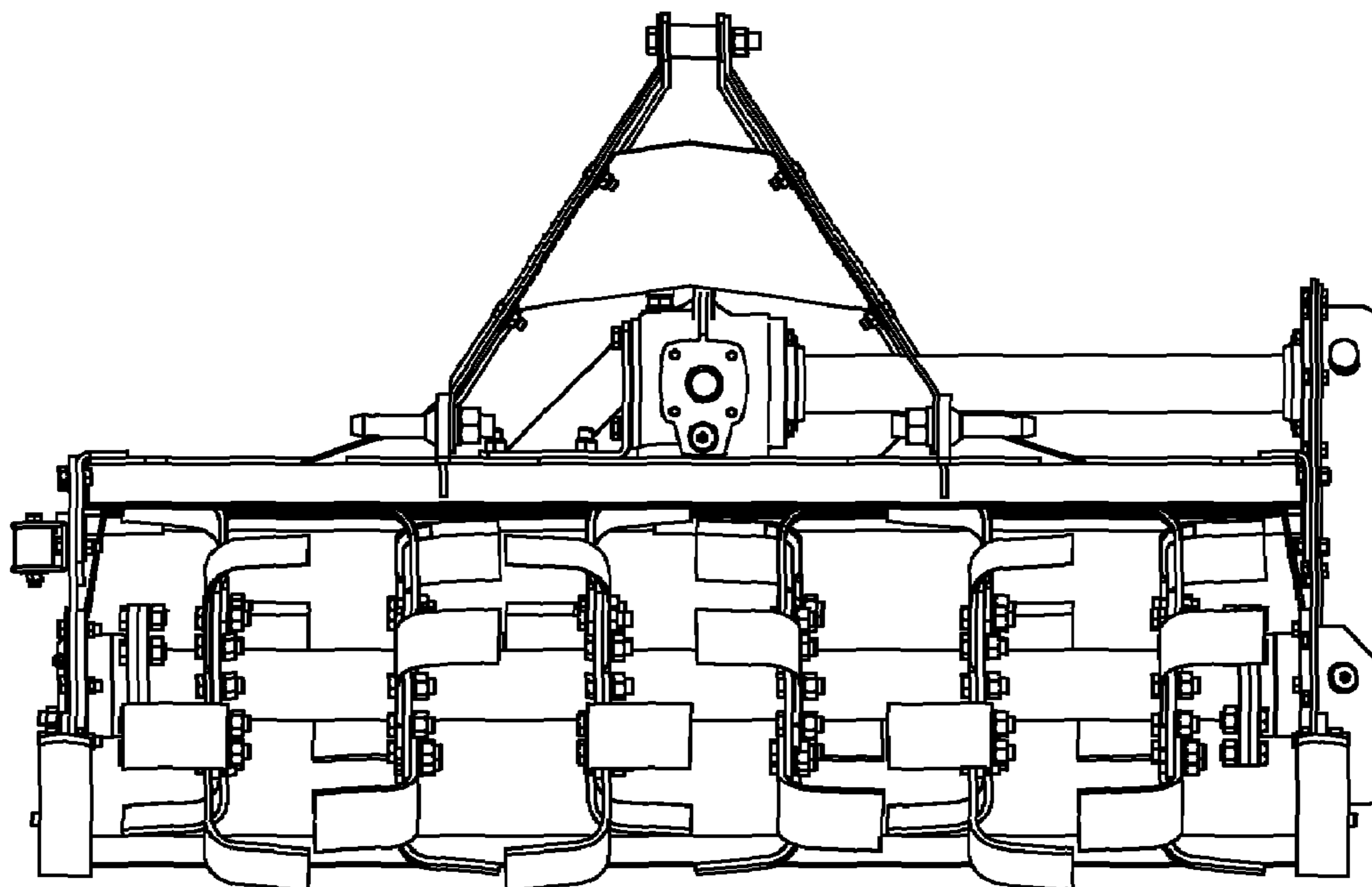
FIG. 3 is top/front perspective view thereof.

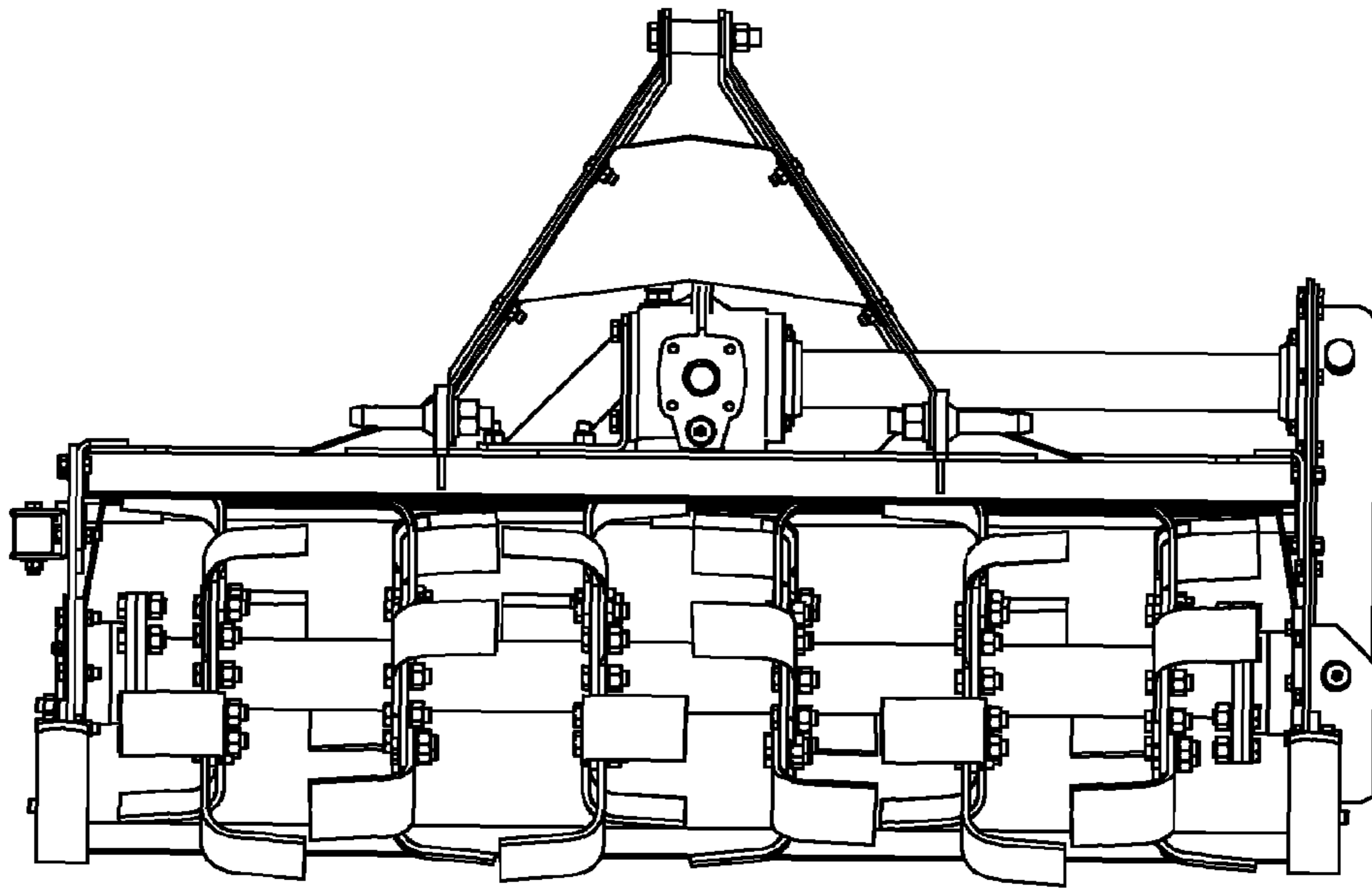
FIG. 4 is a bottom/front perspective view thereof.

FIG. 5 is an end view thereof; and,

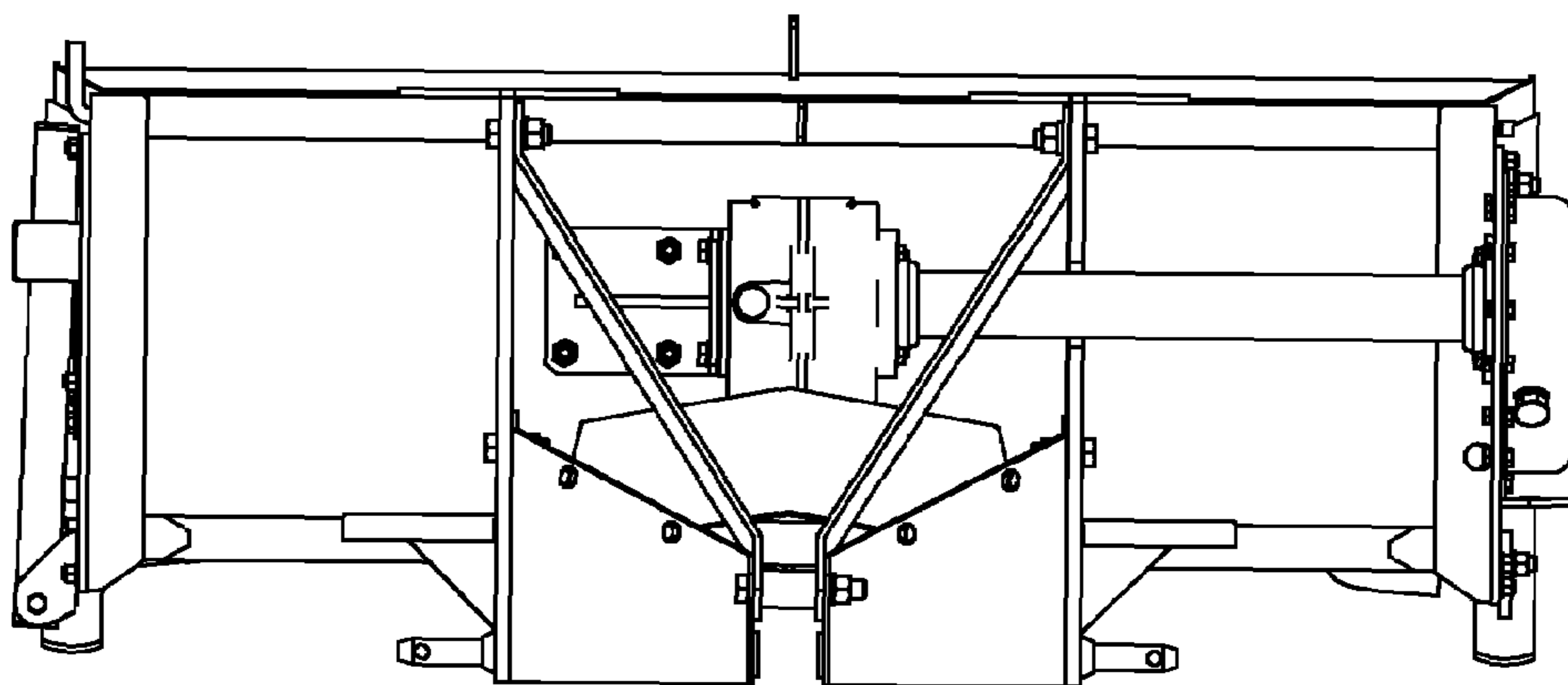
FIG. 6 is a rear perspective view thereof.

**1 Claim, 3 Drawing Sheets**

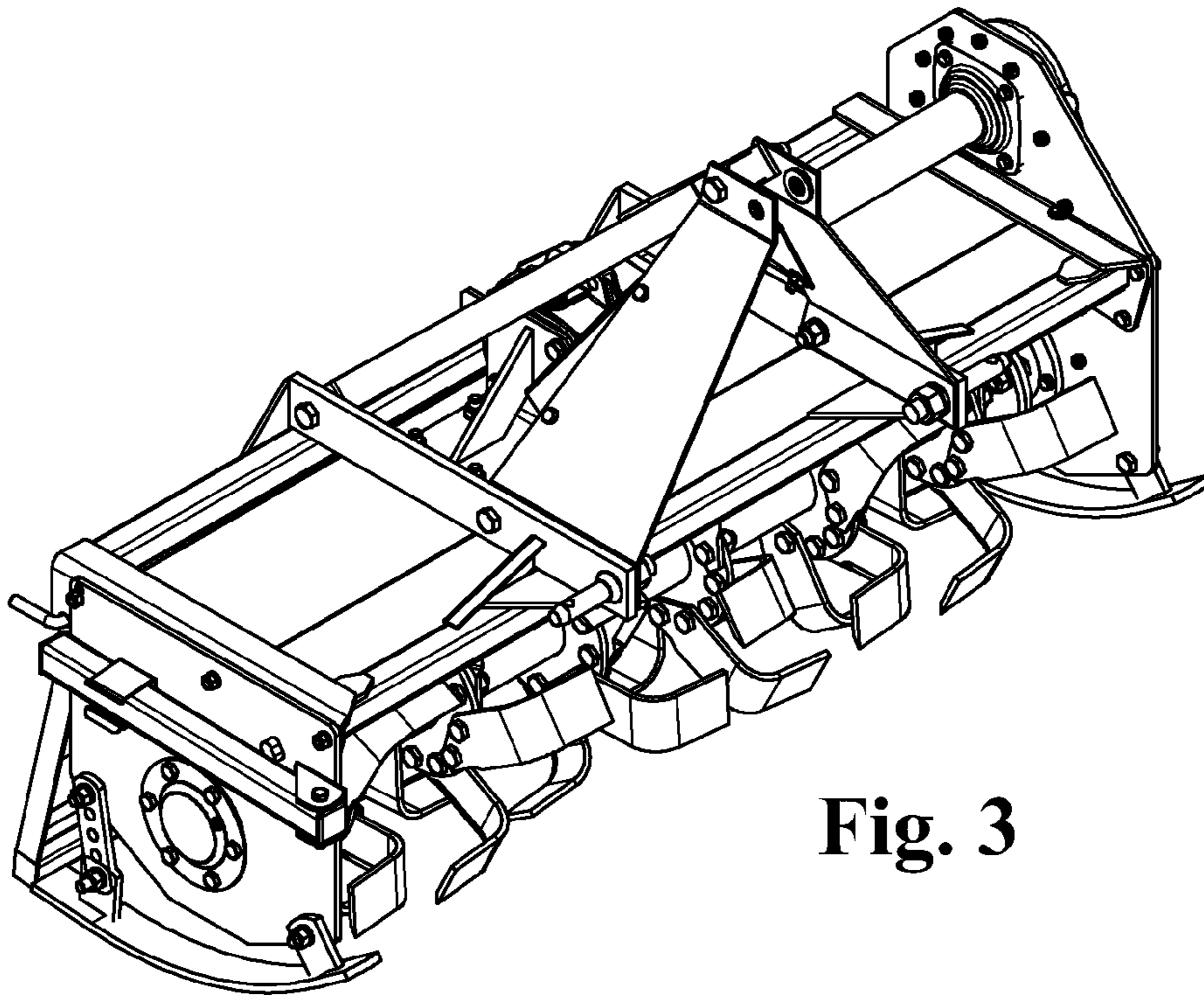




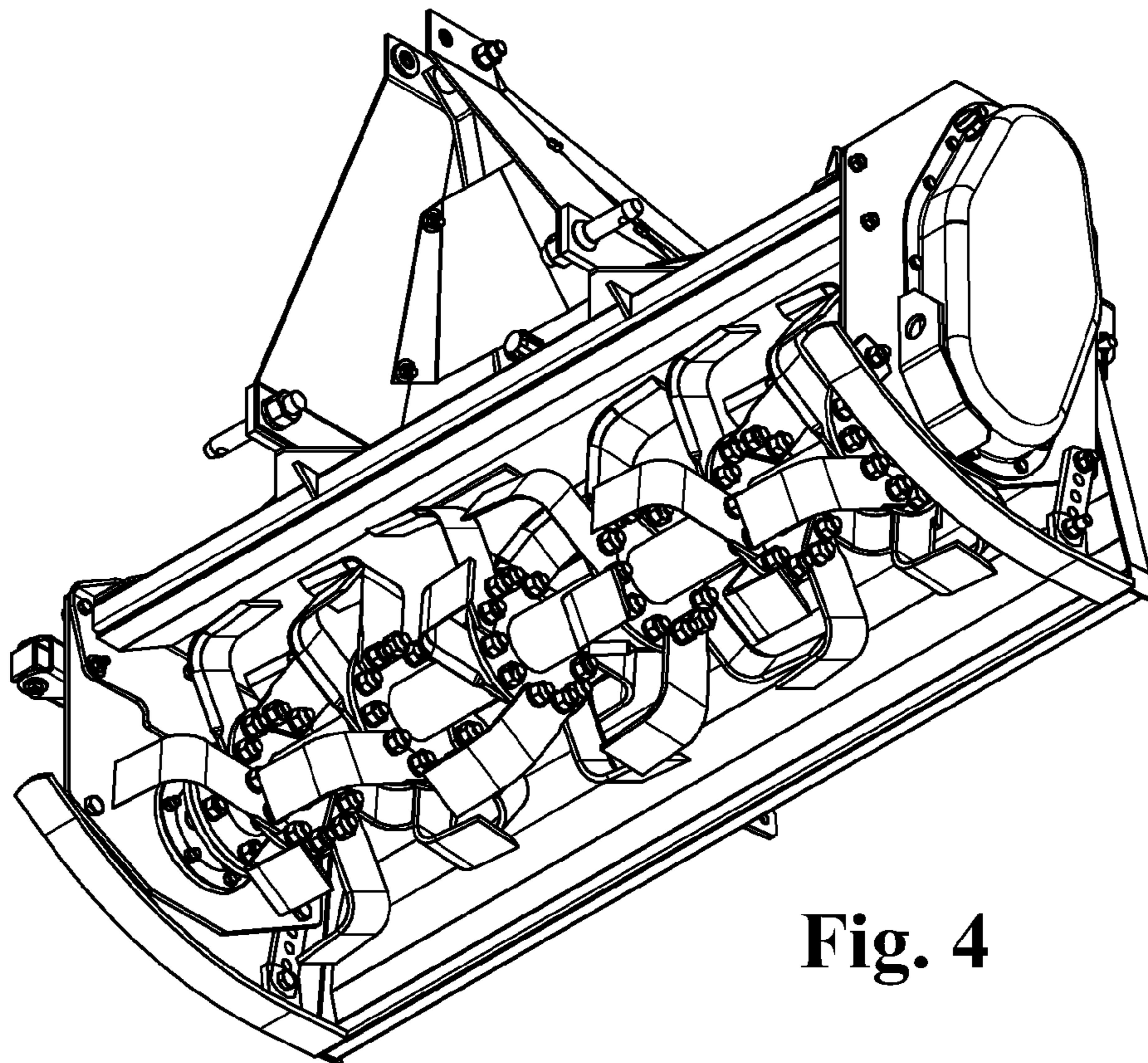
**Fig. 1**



**Fig. 2**

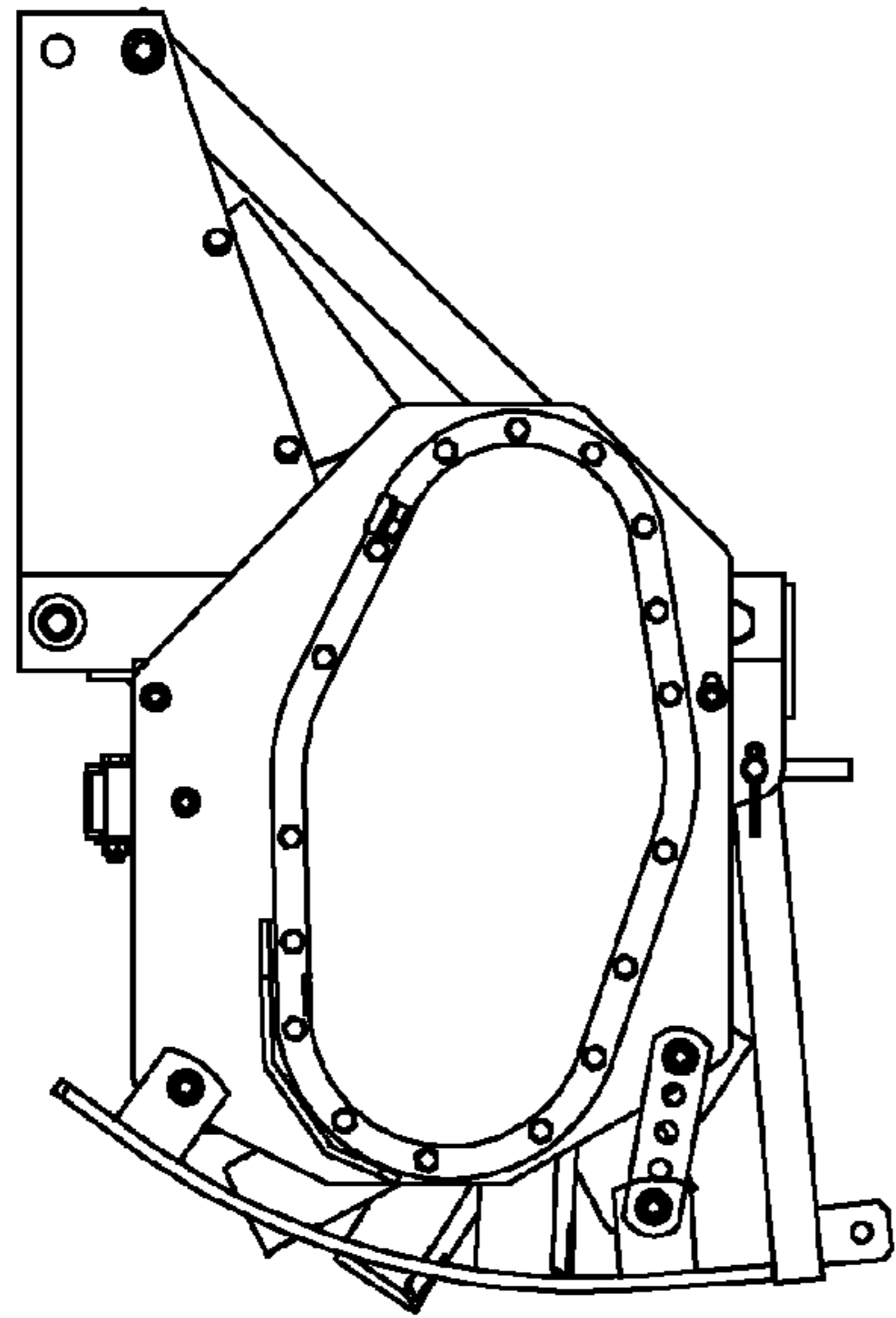


**Fig. 3**

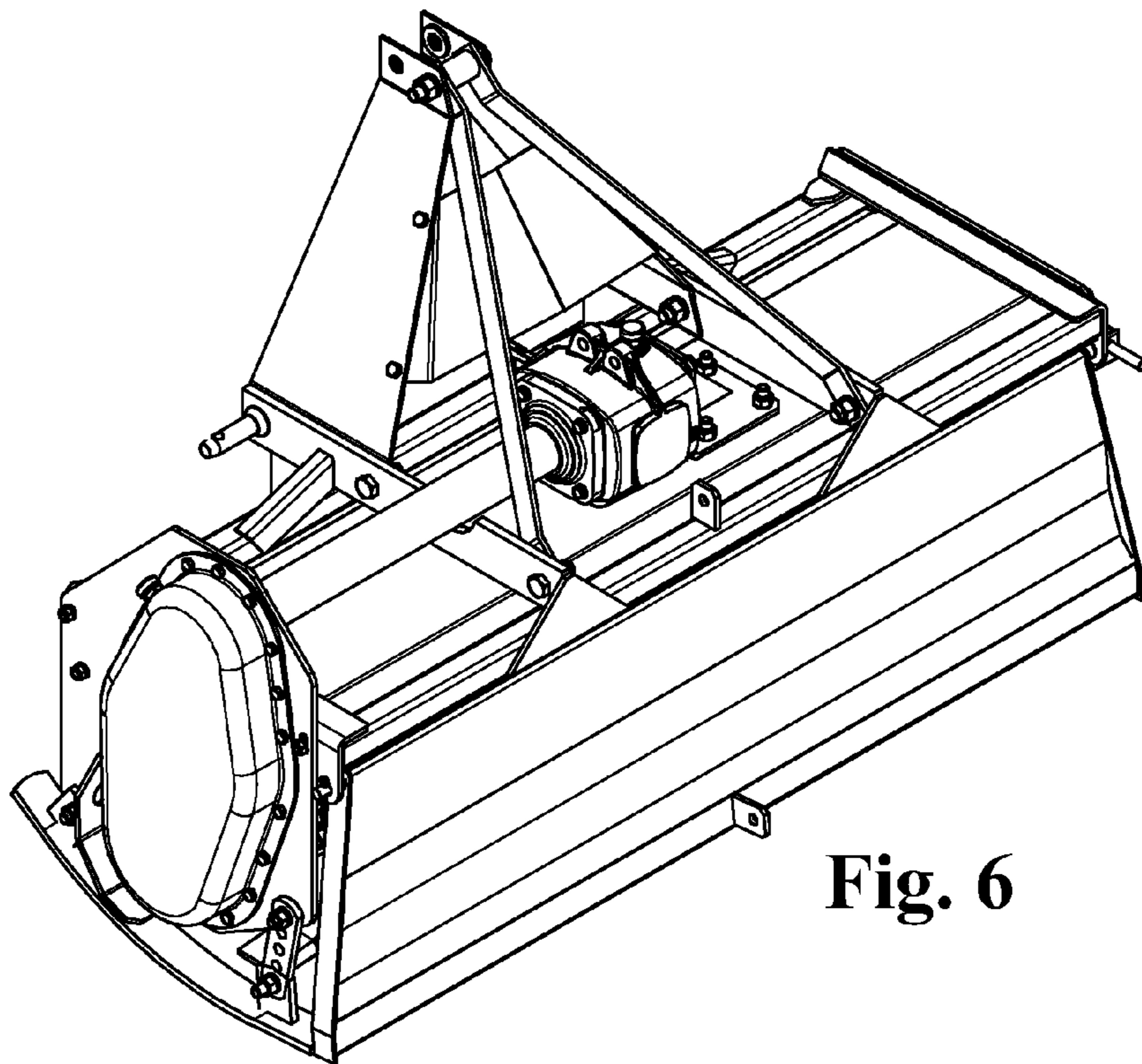


**Fig. 4**





**Fig. 5**



**Fig. 6**