



US00D607014S

(12) **United States Design Patent**
Stimpson et al.

(10) **Patent No.:** **US D607,014 S**
(45) **Date of Patent:** **** Dec. 29, 2009**

(54) **COMBINED INTERIOR OF A SHOWER DRAIN PUMP HOUSING WITH INTERIOR COMPARTMENTS AND A COVER FOR AN INTERIOR COMPARTMENT OF A SHOWER DRAIN PUMP HOUSING**

(75) Inventors: **Robert William Stimpson**, Douglas (IM); **Yanchun Wang**, Ballasalla (IM)

(73) Assignee: **DLP Limited**, Braddan (IM)

(**) Term: **14 Years**

(21) Appl. No.: **29/296,584**

(22) Filed: **Oct. 24, 2007**

(30) **Foreign Application Priority Data**

Apr. 28, 2007 (EM) 000717541

(51) **LOC (9) Cl.** **15-02**

(52) **U.S. Cl.** **D15/7**

(58) **Field of Classification Search** D15/7-9;
D23/231, 232, 225; 417/410.1, 359, 415-416,
417/234, 321, 265, 405

See application file for complete search history.

(56) **References Cited**

U.S. PATENT DOCUMENTS

D475,721 S * 6/2003 Harper et al. D15/9

D489,736 S * 5/2004 Harper et al. D15/9

(Continued)

Primary Examiner—R. Seifert

(74) *Attorney, Agent, or Firm*—Fleit Gibbons Gutman Bongini & Bianco PL; Martin Fleit; Paul D. Bianco

(57) **CLAIM**

The ornamental design for a combined interior of a shower drain pump housing with interior compartments, and a cover for an interior compartment of a shower drain pump housing, as shown and described.

DESCRIPTION

FIG. 1 is a perspective view from the front, below and to the right side of a first embodiment of a shower drain pump housing with interior compartments, showing our new design and with covers removed;

FIG. 2 is a front view of part of the shower drain pump housing with interior compartments, as shown in FIG. 1;

FIG. 3 is a perspective view from the rear of the shower drain pump housing with interior compartments, as shown in FIG. 1 and with cover in place;

FIG. 4 is a perspective view from the front, above and to the right side showing the shower drain pump housing with interior compartments, as shown in FIG. 1 and with cover in place;

FIG. 5 is a perspective view from the front, below and to the right side of the shower drain pump housing with interior compartments, as shown in FIG. 1 and with cover in place;

FIG. 6 is a front view of the shower drain pump housing with interior compartments, as shown in FIG. 5;

FIG. 7 is an elevational side view from the left side of the shower drain pump housing with interior compartments, as shown in FIG. 5;

FIG. 8 is a perspective view from the front, above and to the left side showing the cover of the shower drain pump housing with interior compartments, as shown in FIG. 5 and with transparent viewing window in place;

FIG. 9 is a perspective view from the rear of the cover shown in FIG. 8;

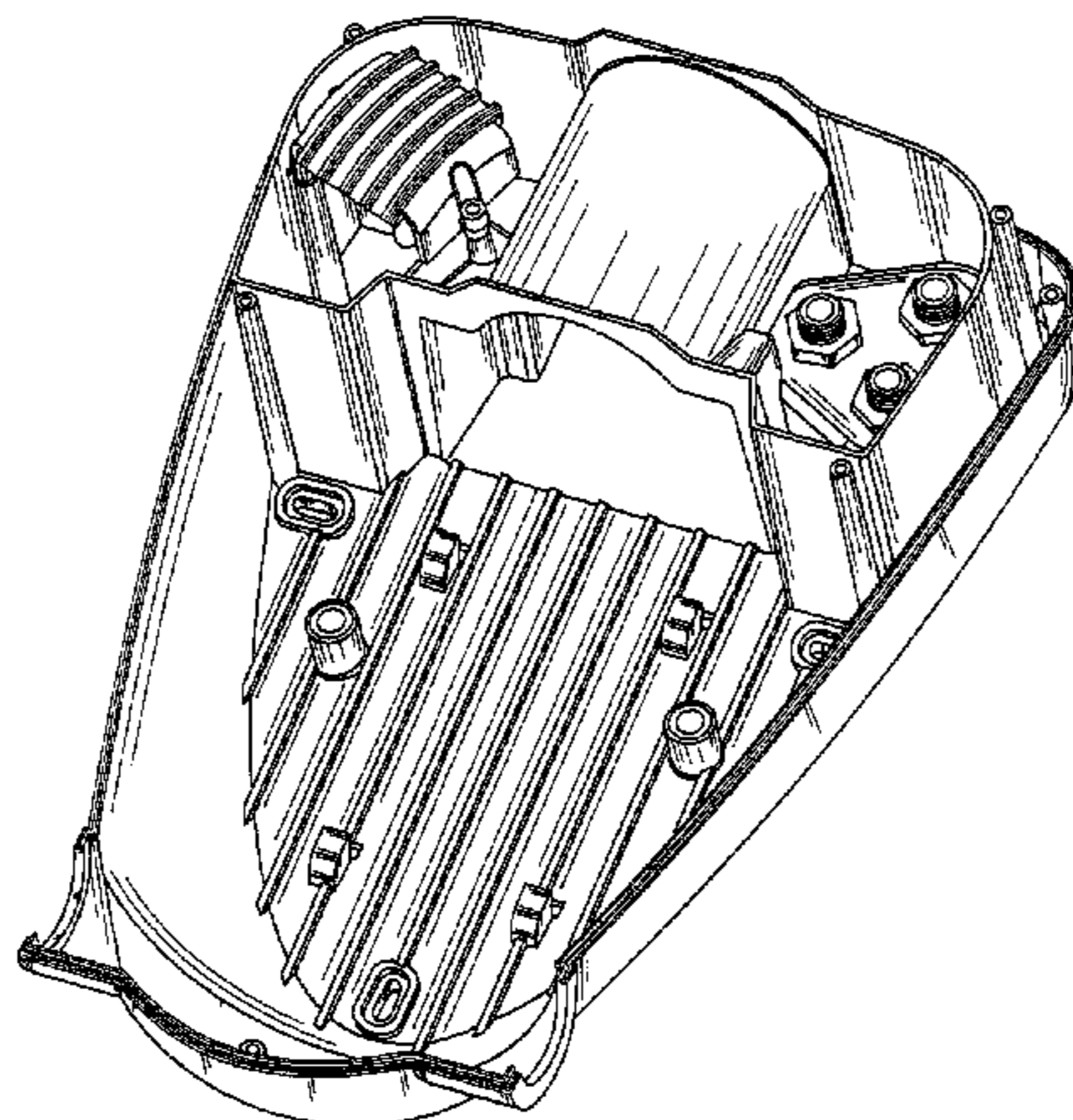
FIG. 10 is a perspective view from the front, above and to the right side showing the cover of the shower drain pump housing with interior compartments, as shown in FIG. 5 and with LEDs and digital readout viewable through the transparent viewing window;

FIG. 11 is a perspective view from the rear of the cover shown in FIG. 10, showing the rear of a PCB on which the LEDs and digital readout are mounted;

FIG. 12 is a perspective view from the front, above and to the right side showing the cover of the shower drain pump housing with interior compartments, as shown in FIG. 5 and with the PCB and transparent viewing window removed; and,

FIG. 13 is a perspective view from the rear of the cover shown in FIG. 12.

1 Claim, 9 Drawing Sheets



US D607,014 S

Page 2

U.S. PATENT DOCUMENTS

D495,717 S	*	9/2004	Harper et al.	D15/9	D509,227 S	*	9/2005	Buck	D15/9
D498,241 S	*	11/2004	Song et al.	D15/7	D590,841 S	*	4/2009	Muhlenberend	D15/7

* cited by examiner

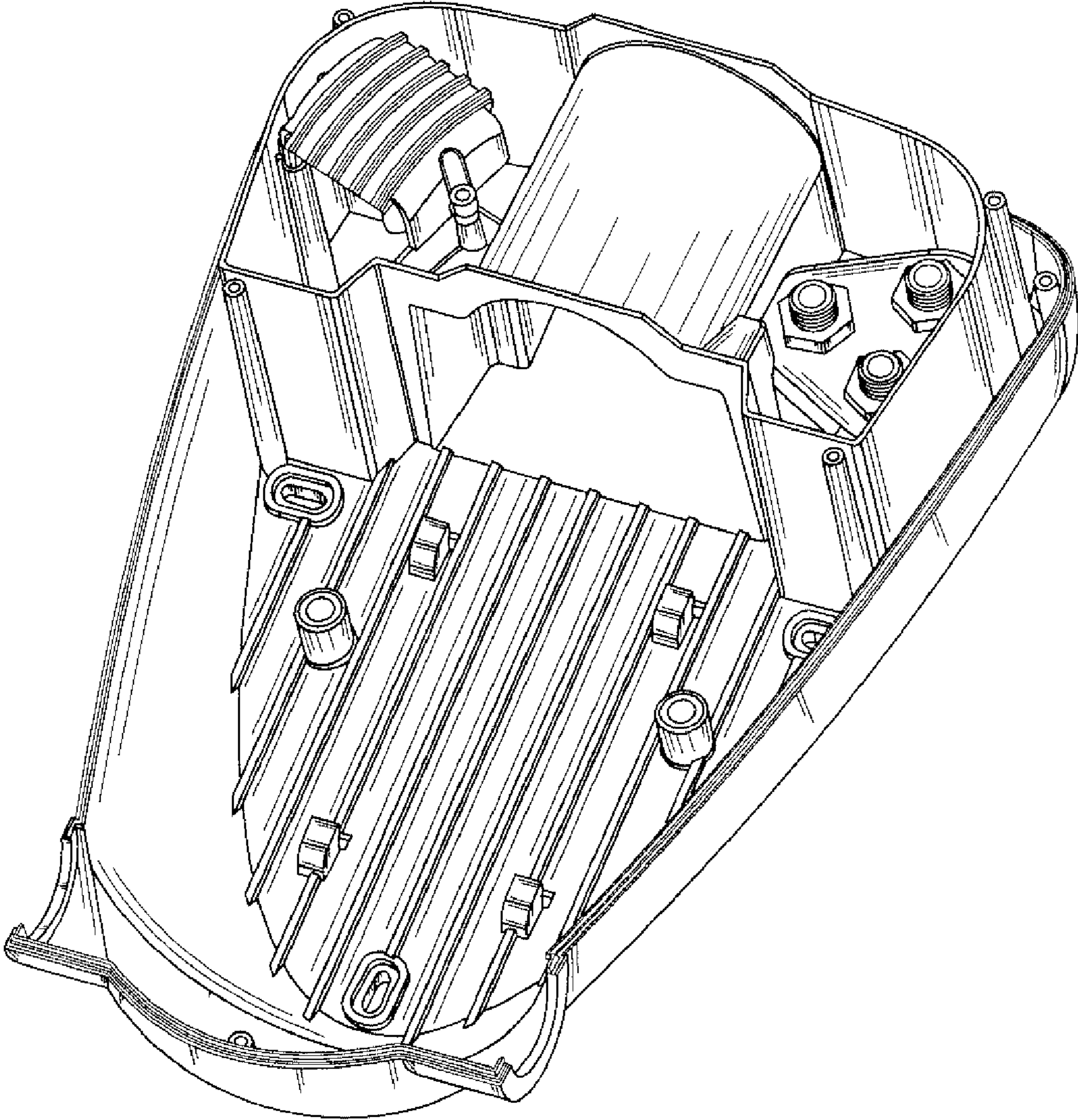


FIG. 1

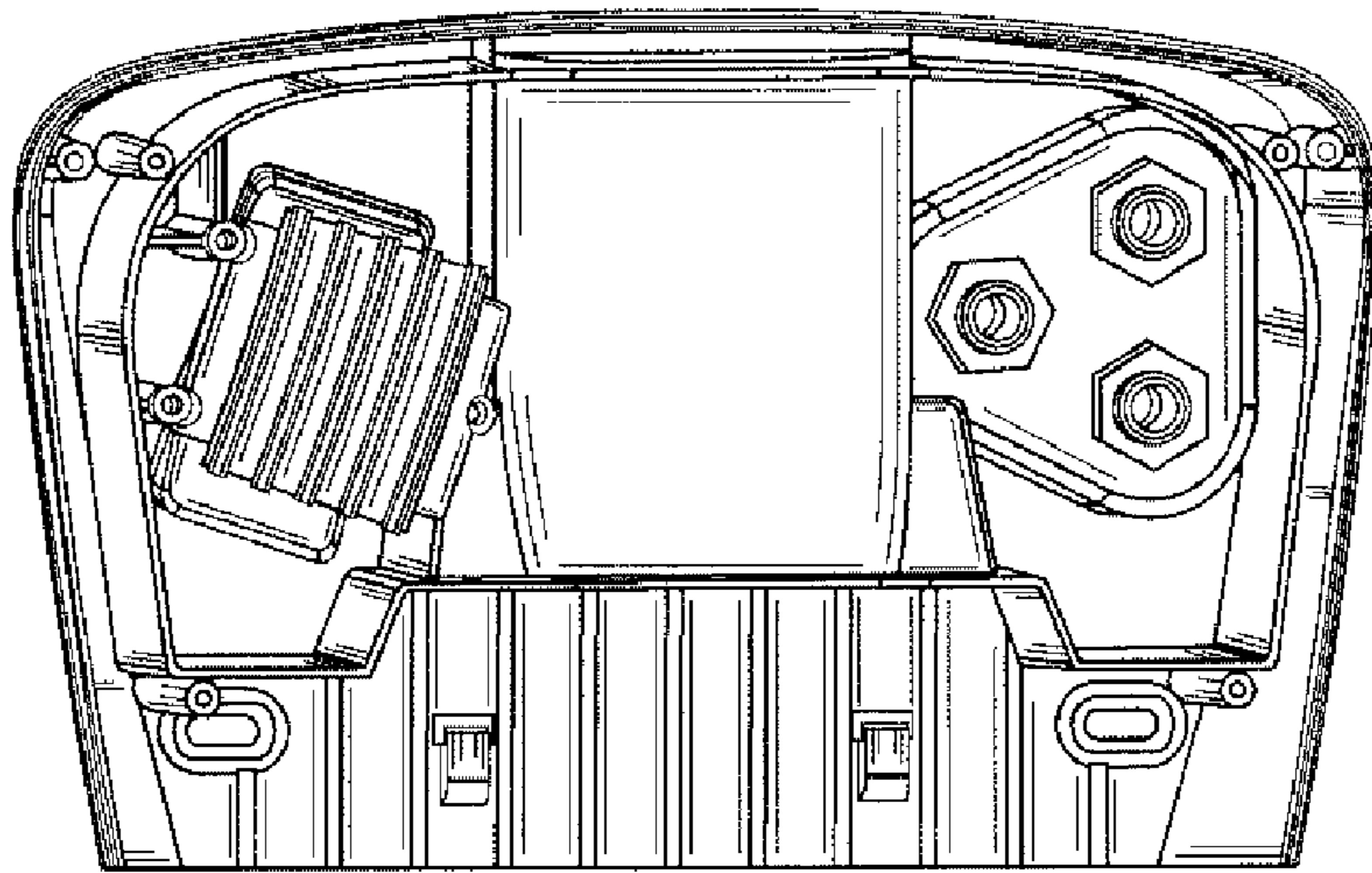


FIG. 2

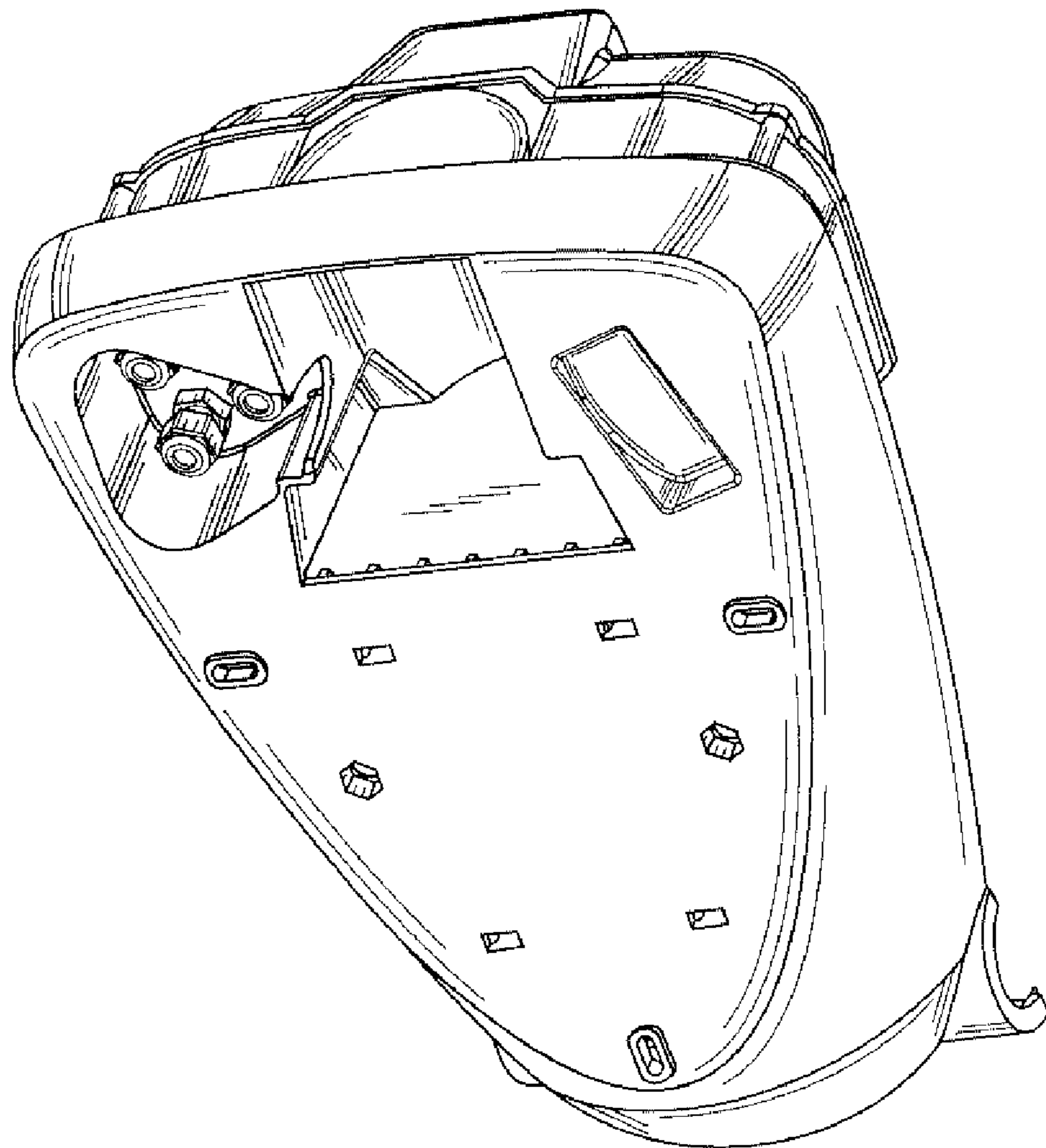


FIG. 3

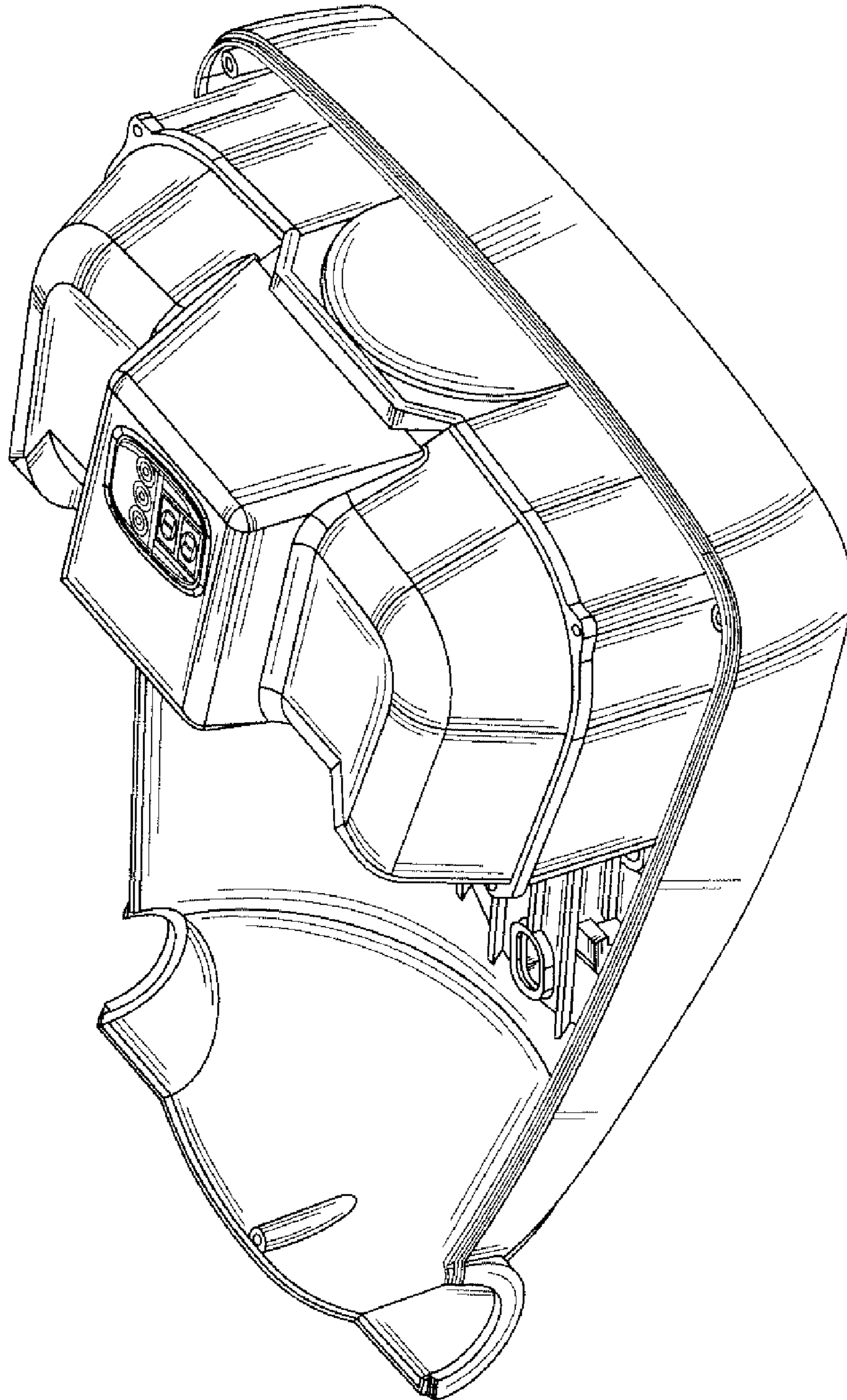


FIG. 4

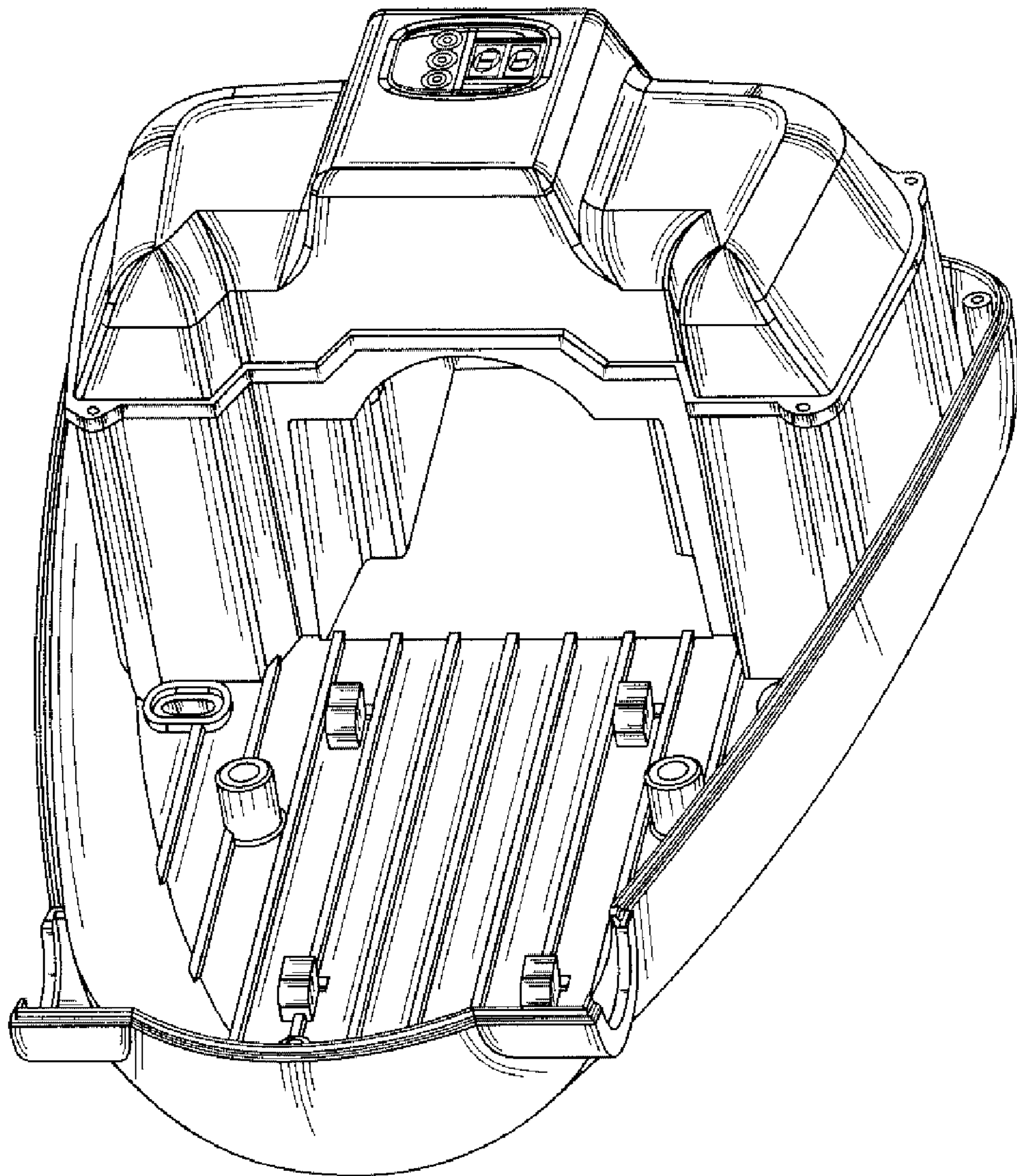


FIG. 5

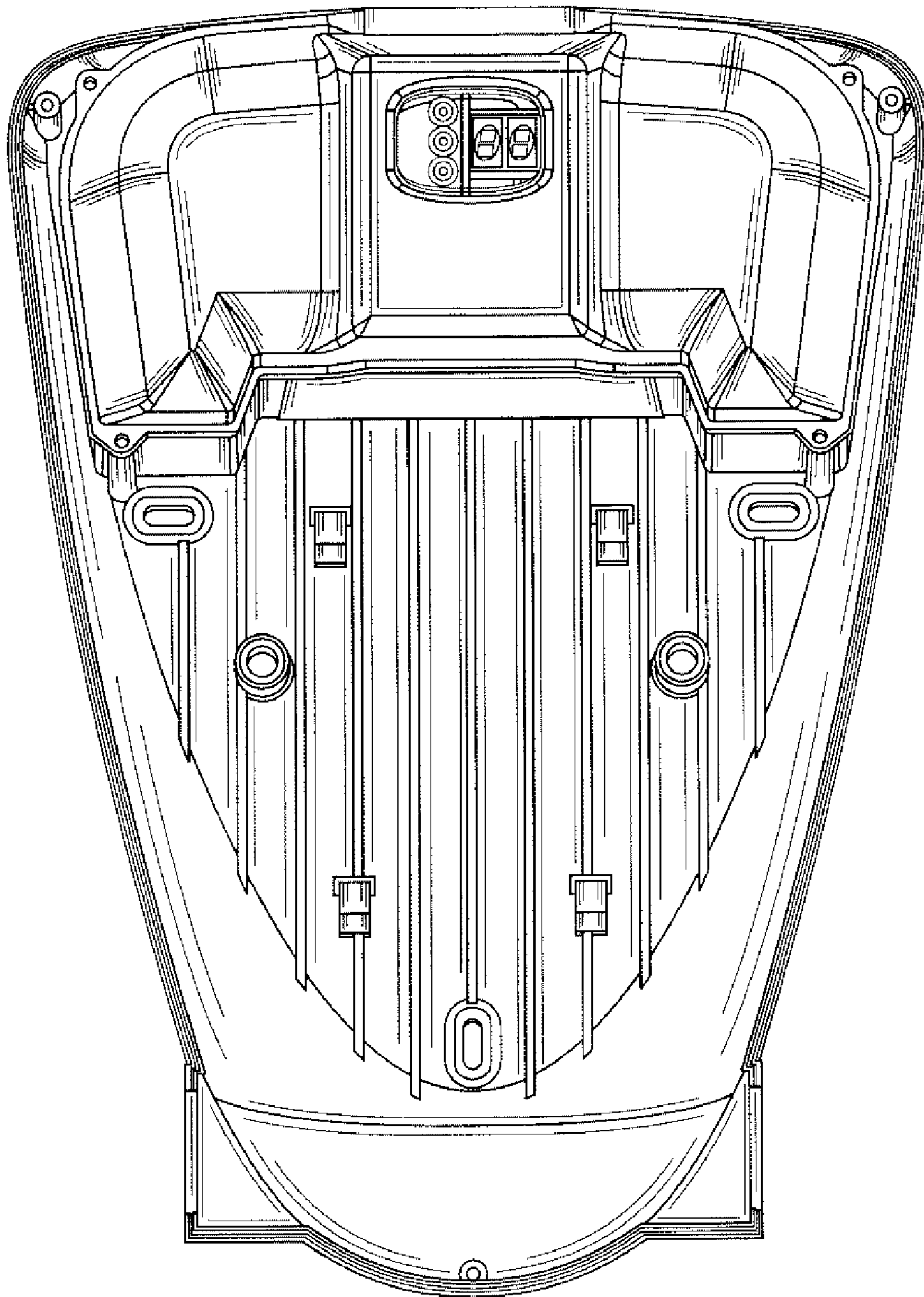


FIG. 6

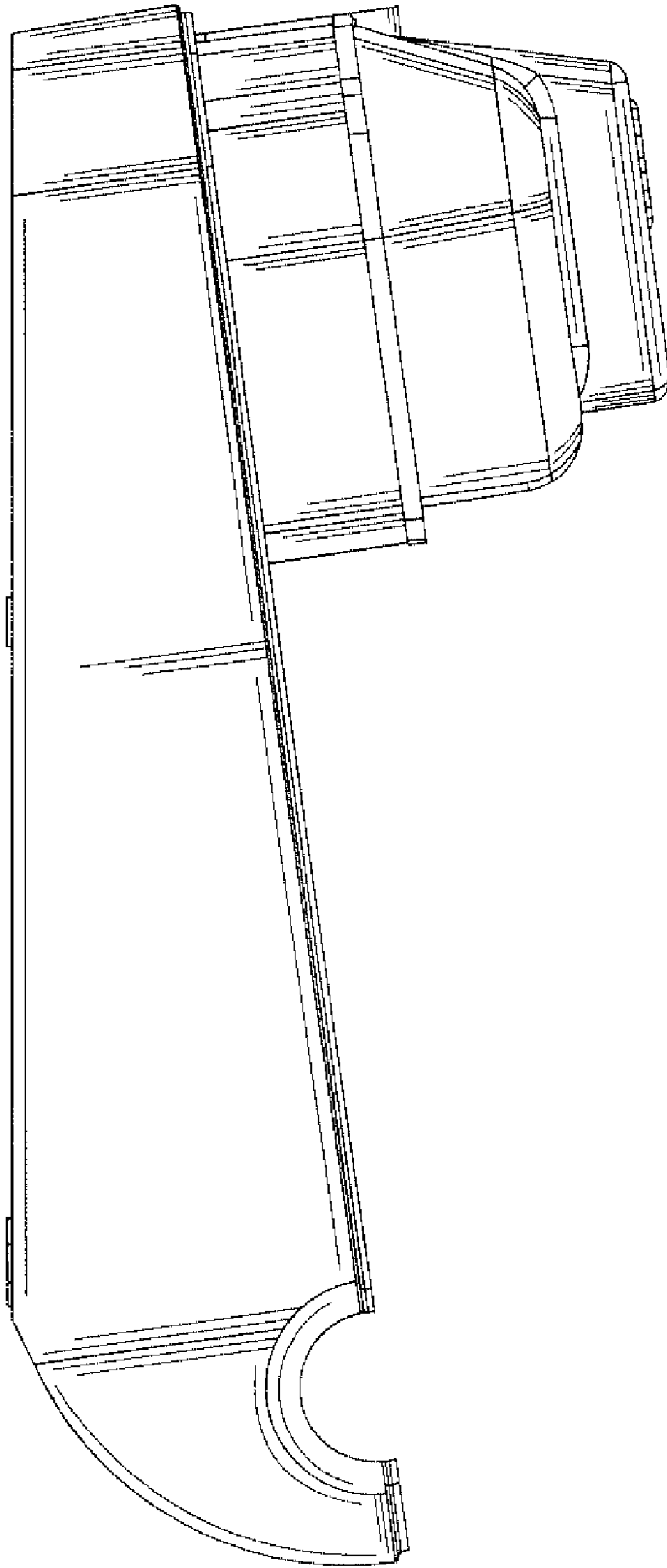


FIG. 7

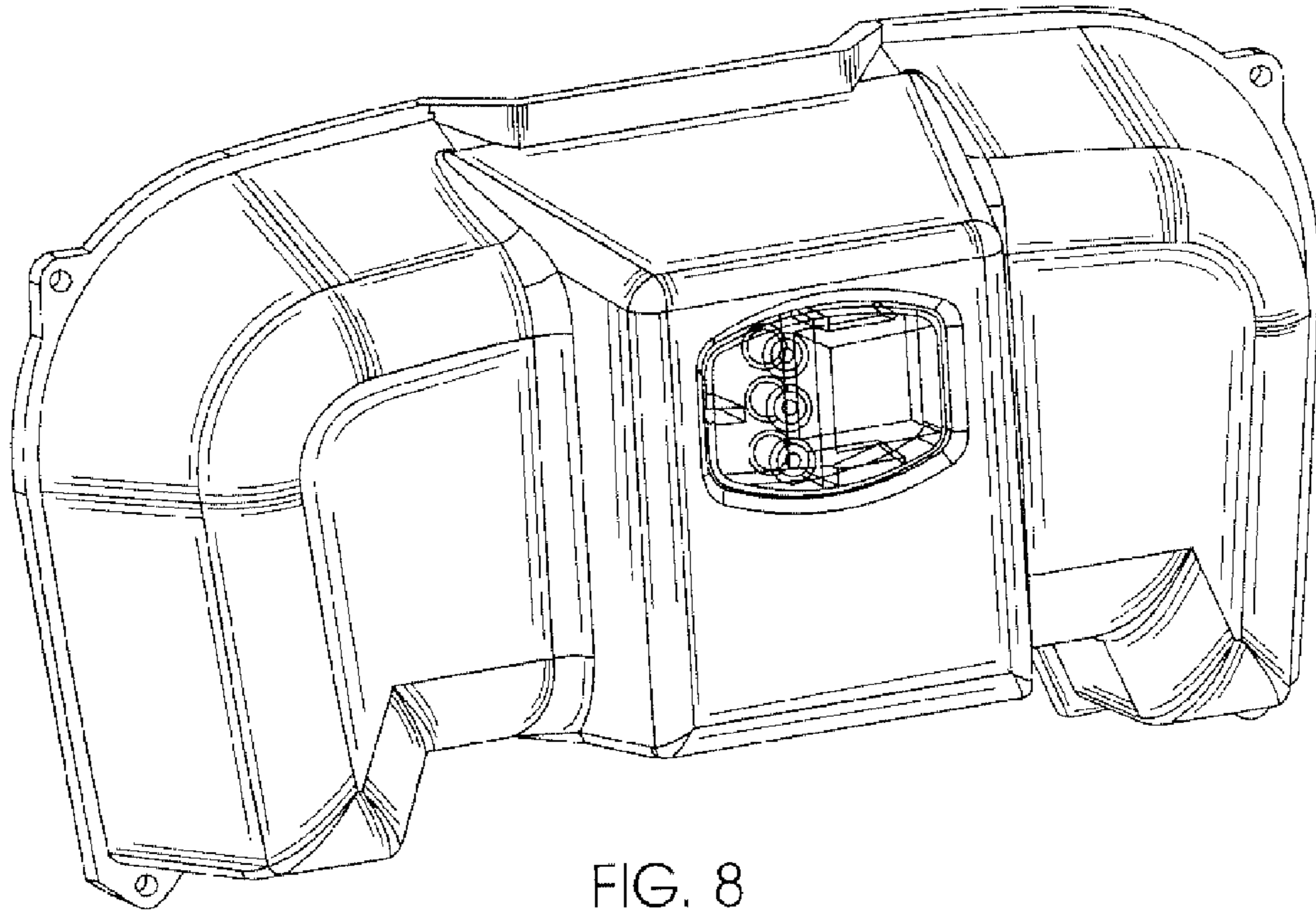


FIG. 8

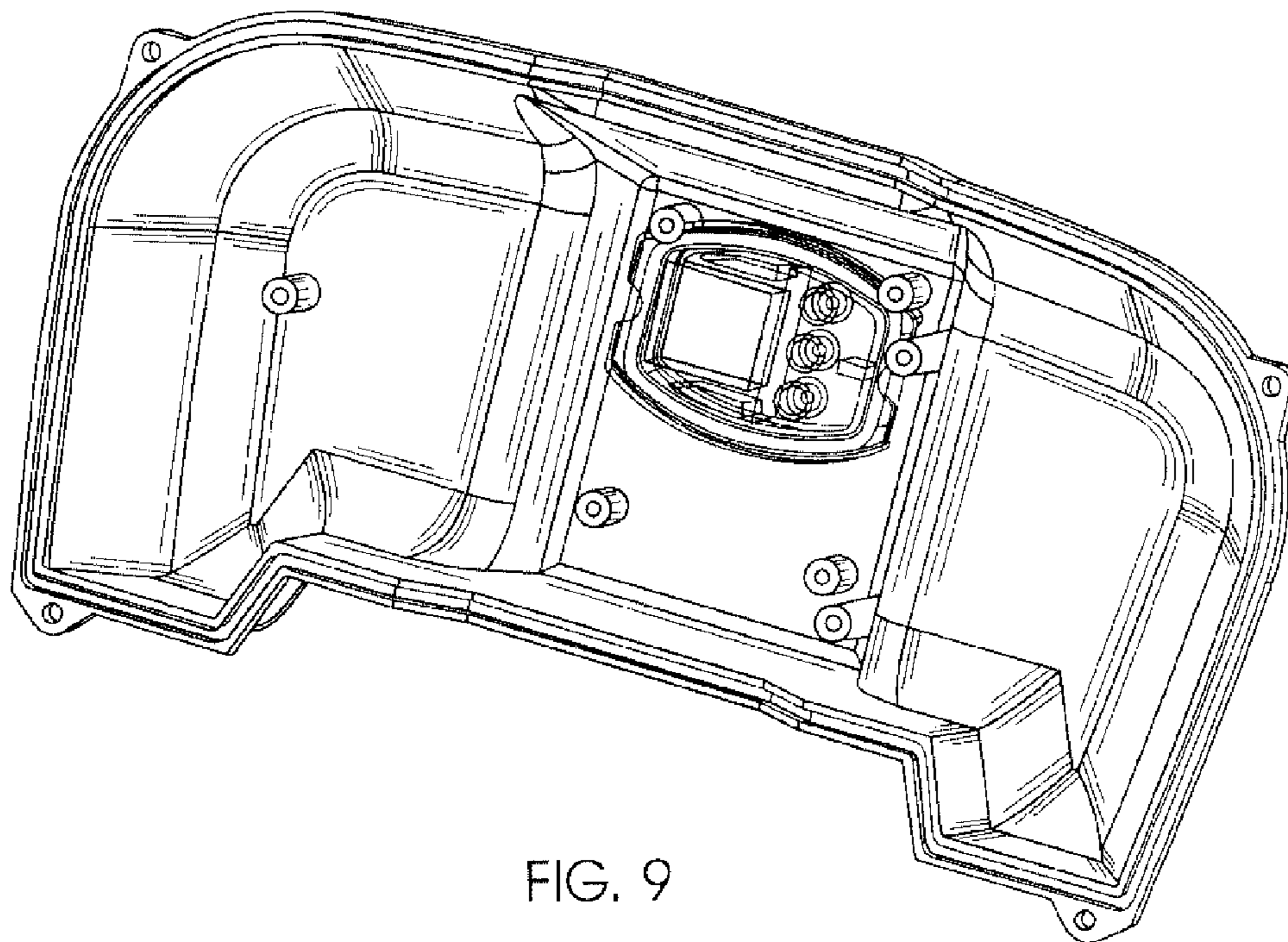


FIG. 9

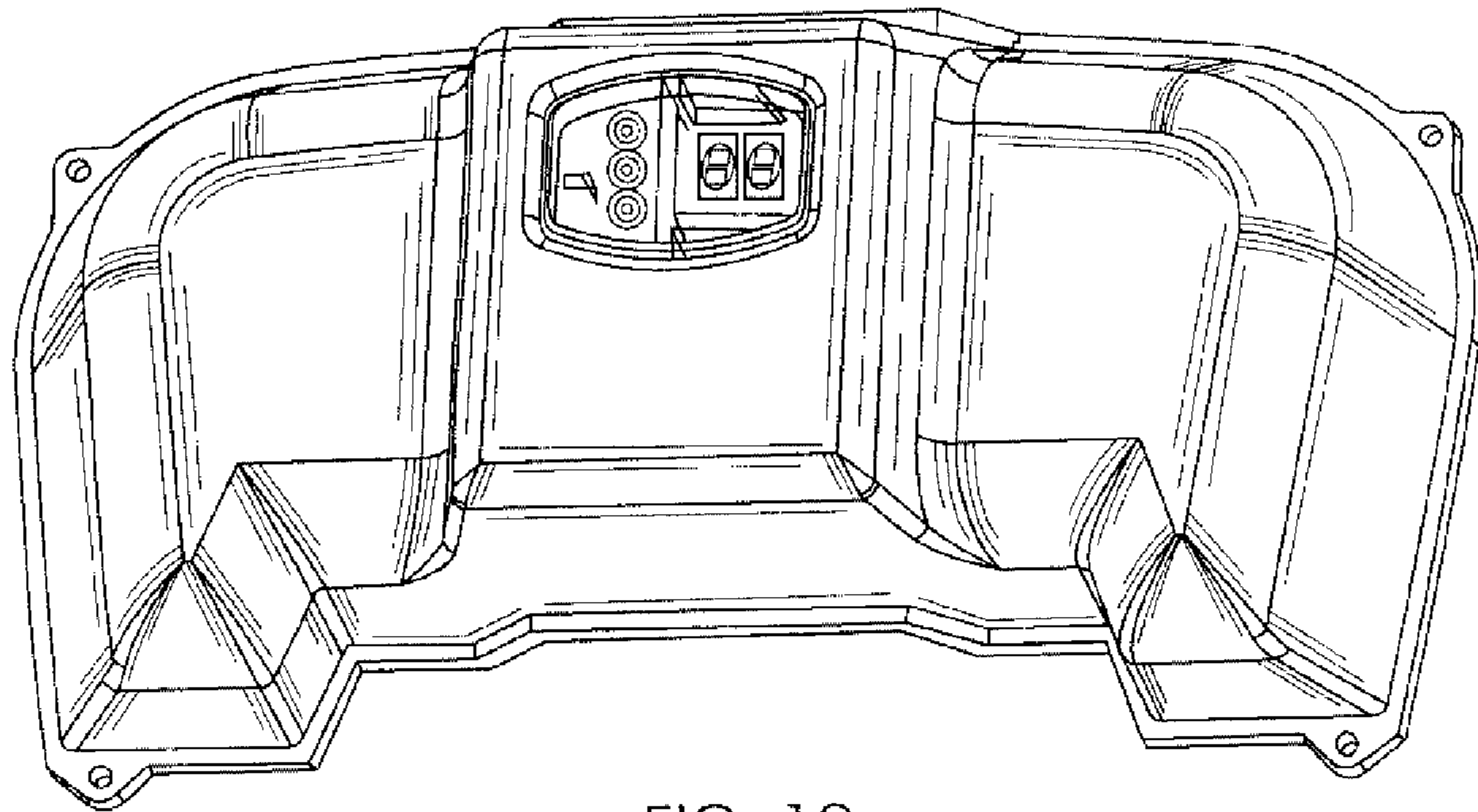


FIG. 10

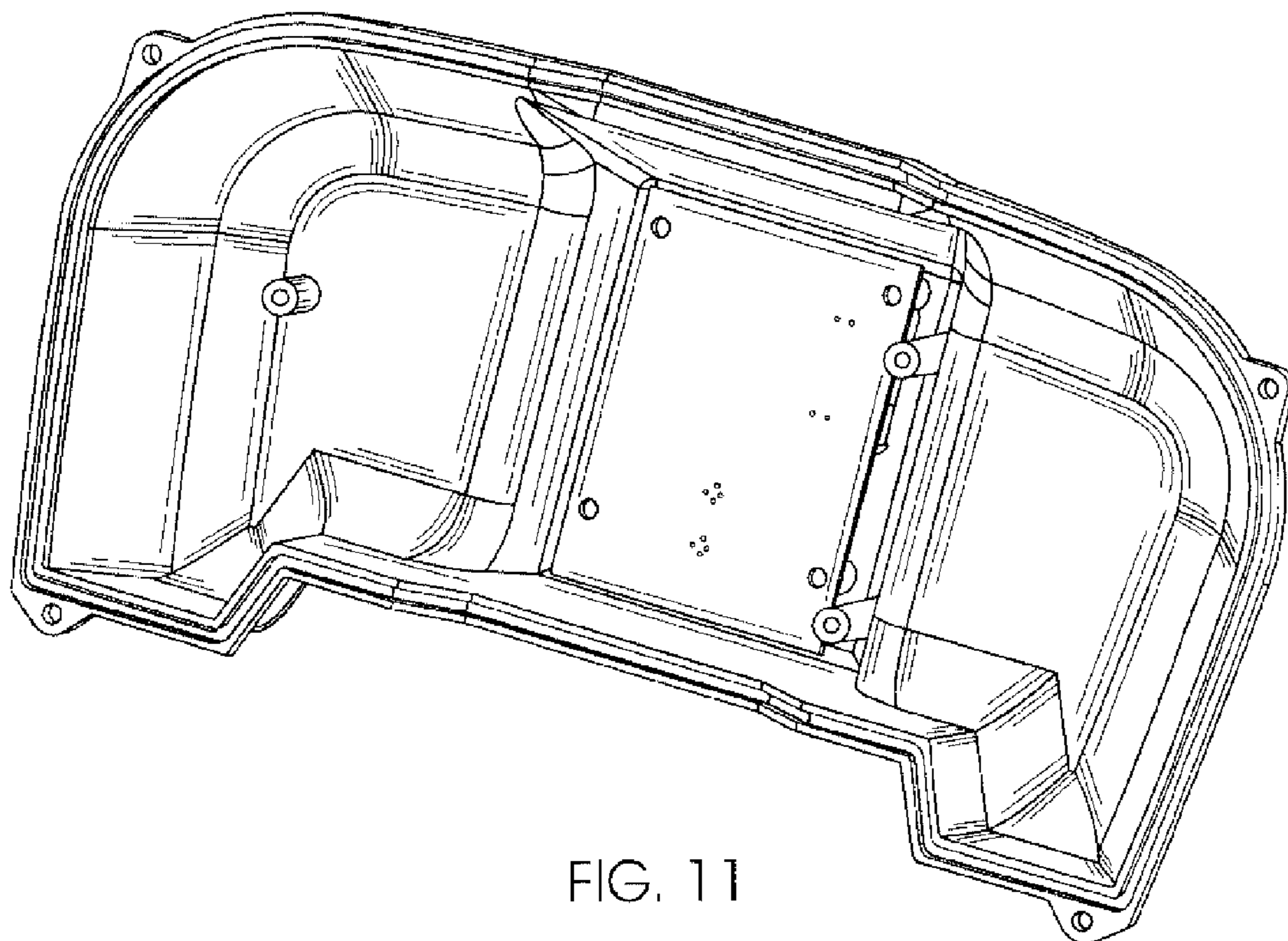


FIG. 11

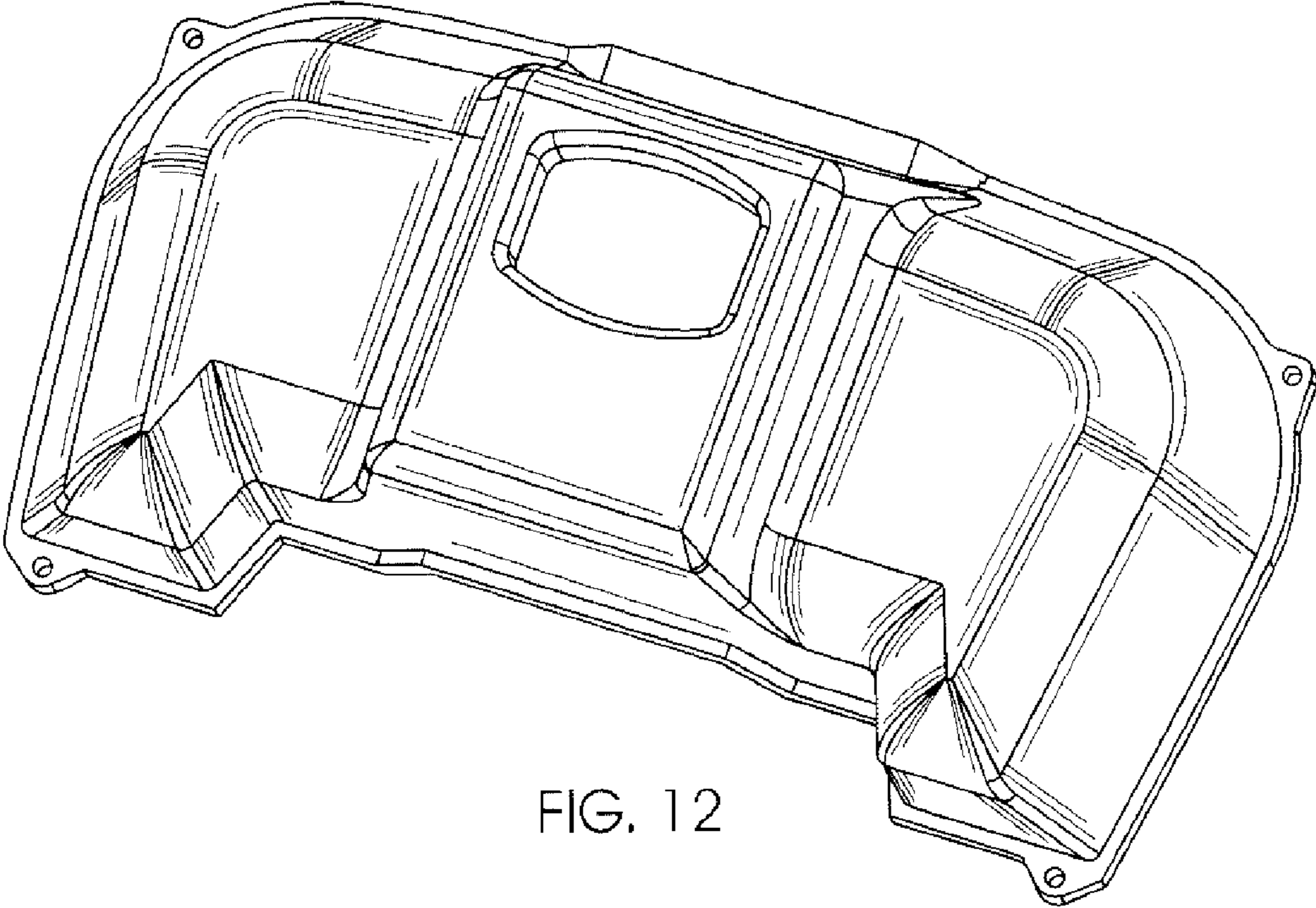


FIG. 12

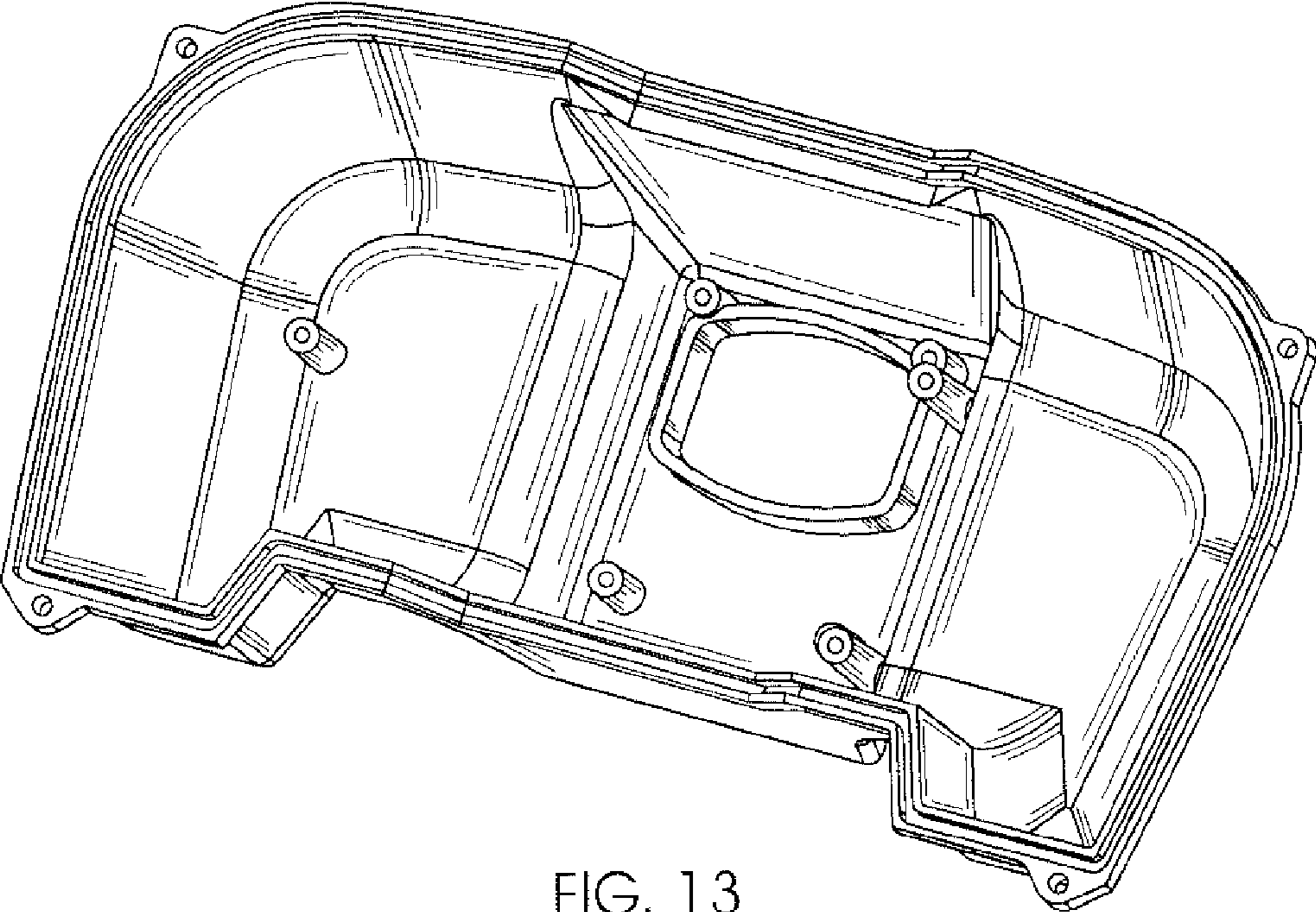


FIG. 13