



US00D606998S

(12) **United States Design Patent**
Taatjes et al.

(10) **Patent No.:** **US D606,998 S**
(45) **Date of Patent:** **** Dec. 29, 2009**

(54) **FILAMENT SPOOL CONTAINER**

(75) Inventors: **Thomas L. Taatjes**, Eden Prairie, MN (US); **Patrick W. Turley**, Eden Prairie, MN (US); **Martin G. Zalusky**, Bloomington, MN (US)

(73) Assignee: **Stratasys, Inc.**, Eden Prairie, MN (US)

(**) Term: **14 Years**

(21) Appl. No.: **29/340,132**

(22) Filed: **Jul. 14, 2009**

Related U.S. Application Data

(62) Division of application No. 29/326,638, filed on Oct. 22, 2008, now Pat. No. Des. 598,922.

(51) **LOC (9) Cl.** **14-99**

(52) **U.S. Cl.** **D14/475**

(58) **Field of Classification Search** D14/161, D14/484, 475, 496; D8/358, 359, 356, 308; D22/137, 140; D12/206; D3/24; 242/118.7, 242/159, 476.6, 608.8, 614.1; 206/412; 137/355.27; 254/213

See application file for complete search history.

(56) **References Cited**

U.S. PATENT DOCUMENTS

D224,683	S	*	8/1972	Wade et al.	D14/475
D228,789	S	*	10/1973	Koni	D14/475
D230,991	S	*	3/1974	Katto et al.	D14/475
D260,514	S	*	9/1981	Gell	D14/475
D276,527	S	*	11/1984	Flanigan	D14/435
D282,357	S	*	1/1986	Gell	D14/475
D346,379	S	*	4/1994	Patel et al.	D14/475
D381,645	S	*	7/1997	Johnson	D14/475
D436,111	S	*	1/2001	Hahn et al.	D14/475
D470,498	S	*	2/2003	Argumedo et al.	D14/435
D474,191	S	*	5/2003	Nakayama	D14/475
6,776,602	B2	*	8/2004	Swanson et al.	425/376.1
2004/0129823	A1	*	7/2004	Swanson et al.	242/563
2007/0001050	A1	*	1/2007	Taatjes et al.	242/598.6

2009/0050732 A1* 2/2009 Ishikawa 242/608.8

* cited by examiner

Primary Examiner—Stella M Reid

Assistant Examiner—Keli L Hill

(74) *Attorney, Agent, or Firm*—Westman, Champlin & Kelly, P.A.

(57) **CLAIM**

The ornamental design for a filament spool container, as shown and described.

DESCRIPTION

FIG. 1 is a top front perspective view of a first embodiment of a filament spool container;

FIG. 2 is a bottom front perspective view thereof;

FIG. 3 is a top view thereof;

FIG. 4 is a bottom view thereof;

FIG. 5 is a front view thereof;

FIG. 6 is a rear view thereof;

FIG. 7 is a left side view thereof;

FIG. 8 is a right side view thereof;

FIG. 9 is a top front perspective view of a second embodiment thereof; the second embodiment being a reciprocal of the first embodiment;

FIG. 10 is a bottom front perspective view thereof;

FIG. 11 is a top view thereof;

FIG. 12 is a bottom view thereof;

FIG. 13 is a front view thereof;

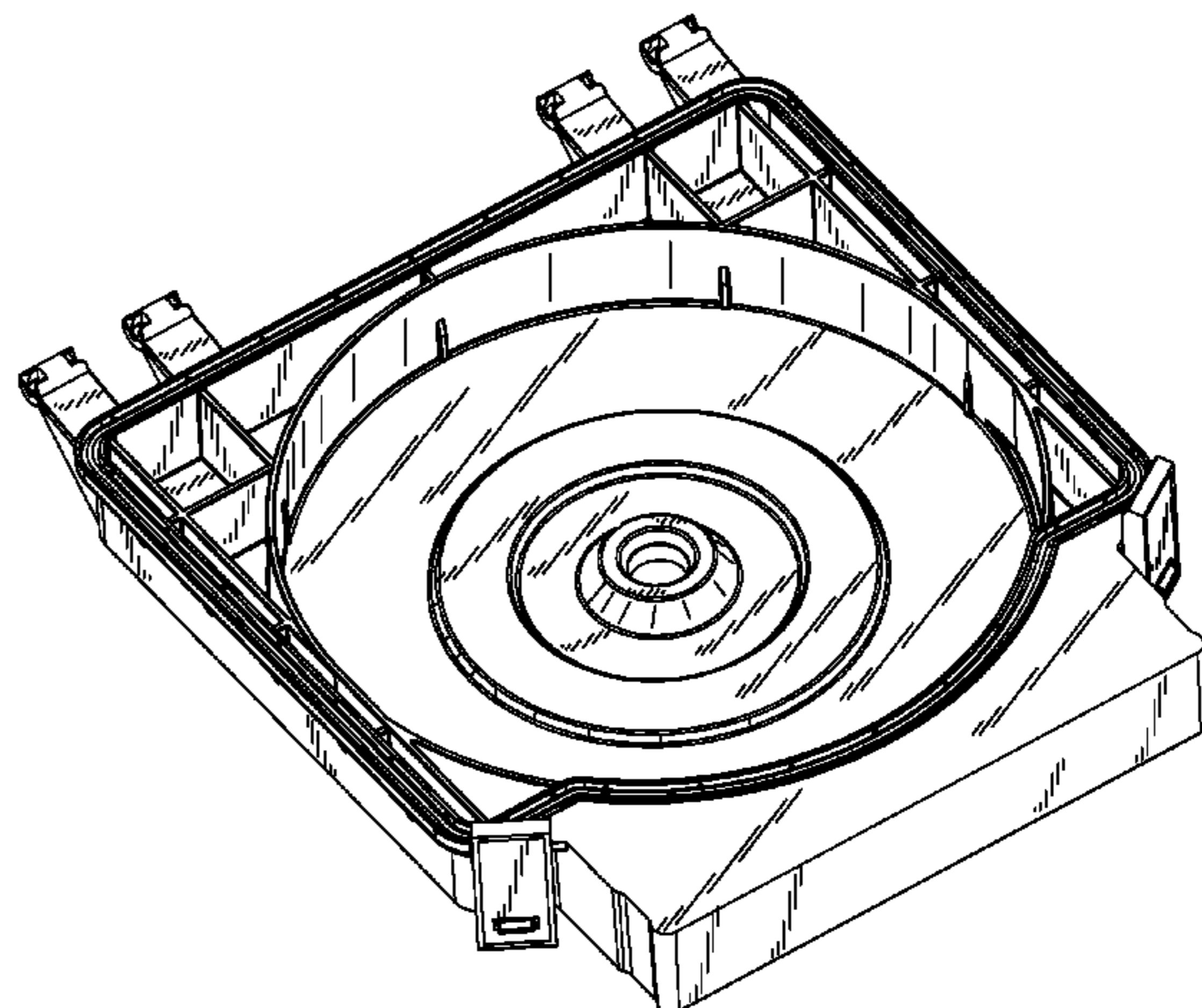
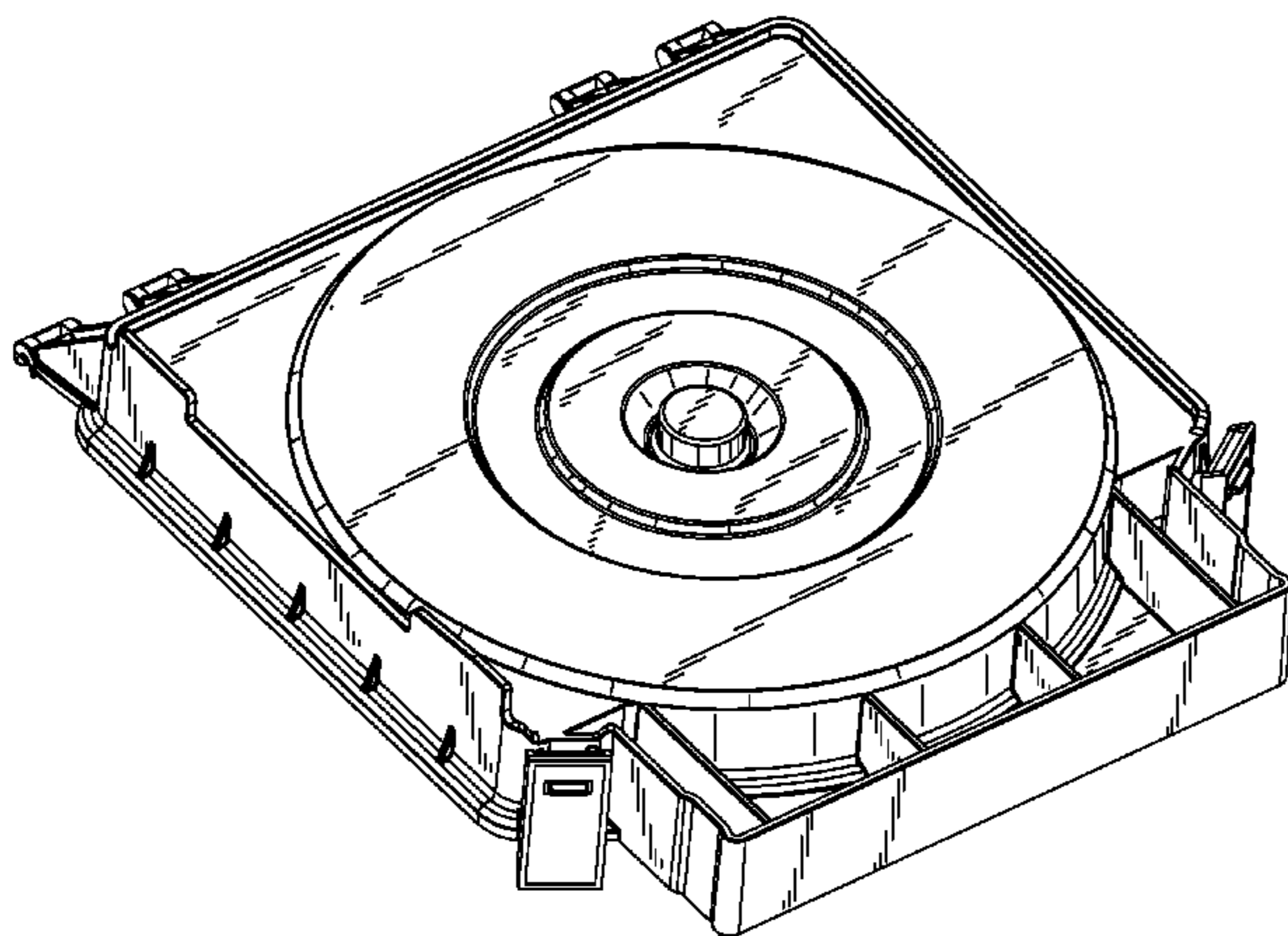
FIG. 14 is a rear view thereof;

FIG. 15 is a left side view thereof; and,

FIG. 16 is a right side view thereof.

Features illustrated with dashed lines are not considered features of the invention being claimed, but rather illustrate an exemplary environment for the claimed features illustrated with solid lines.

1 Claim, 12 Drawing Sheets



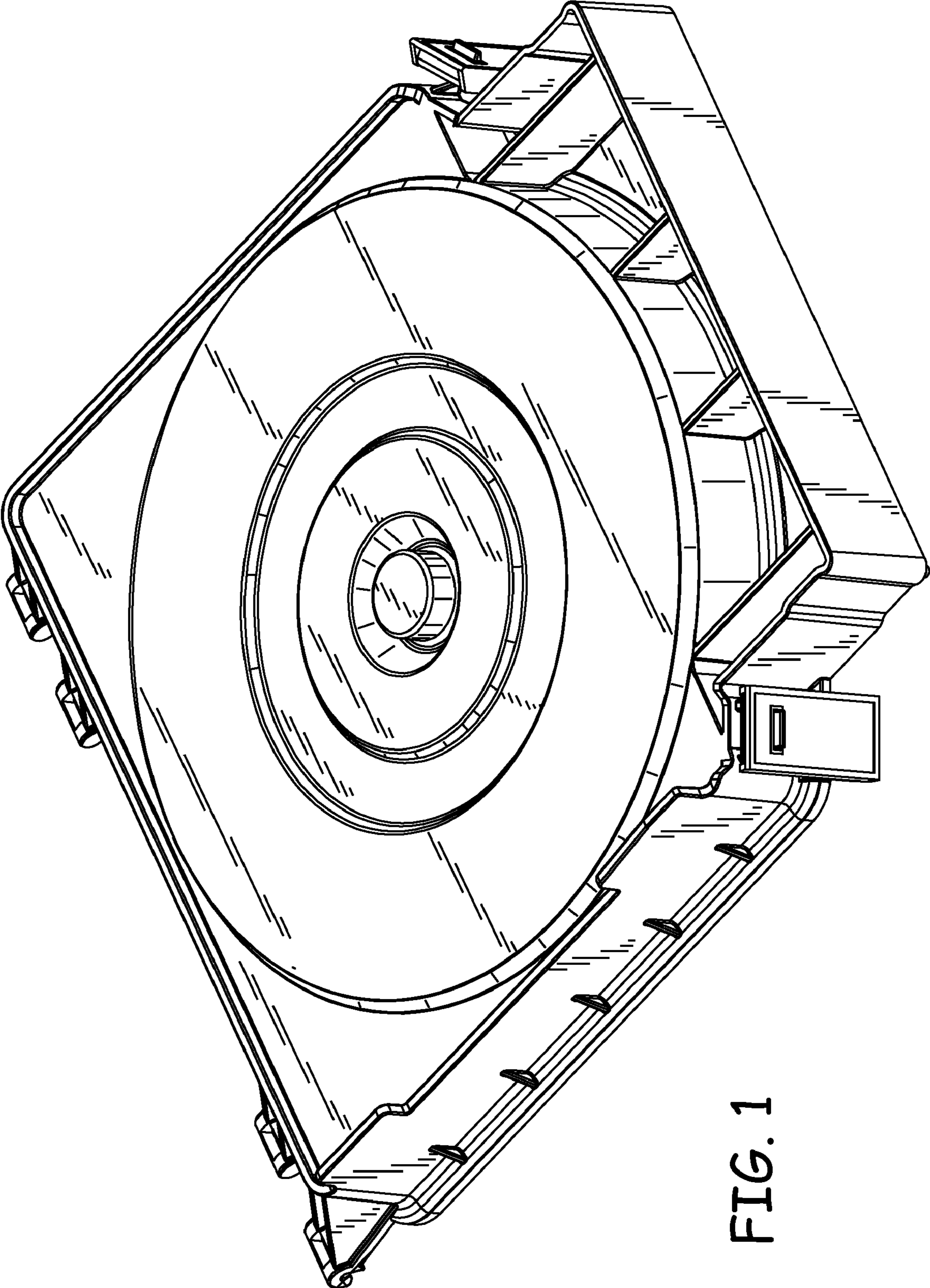


FIG. 1

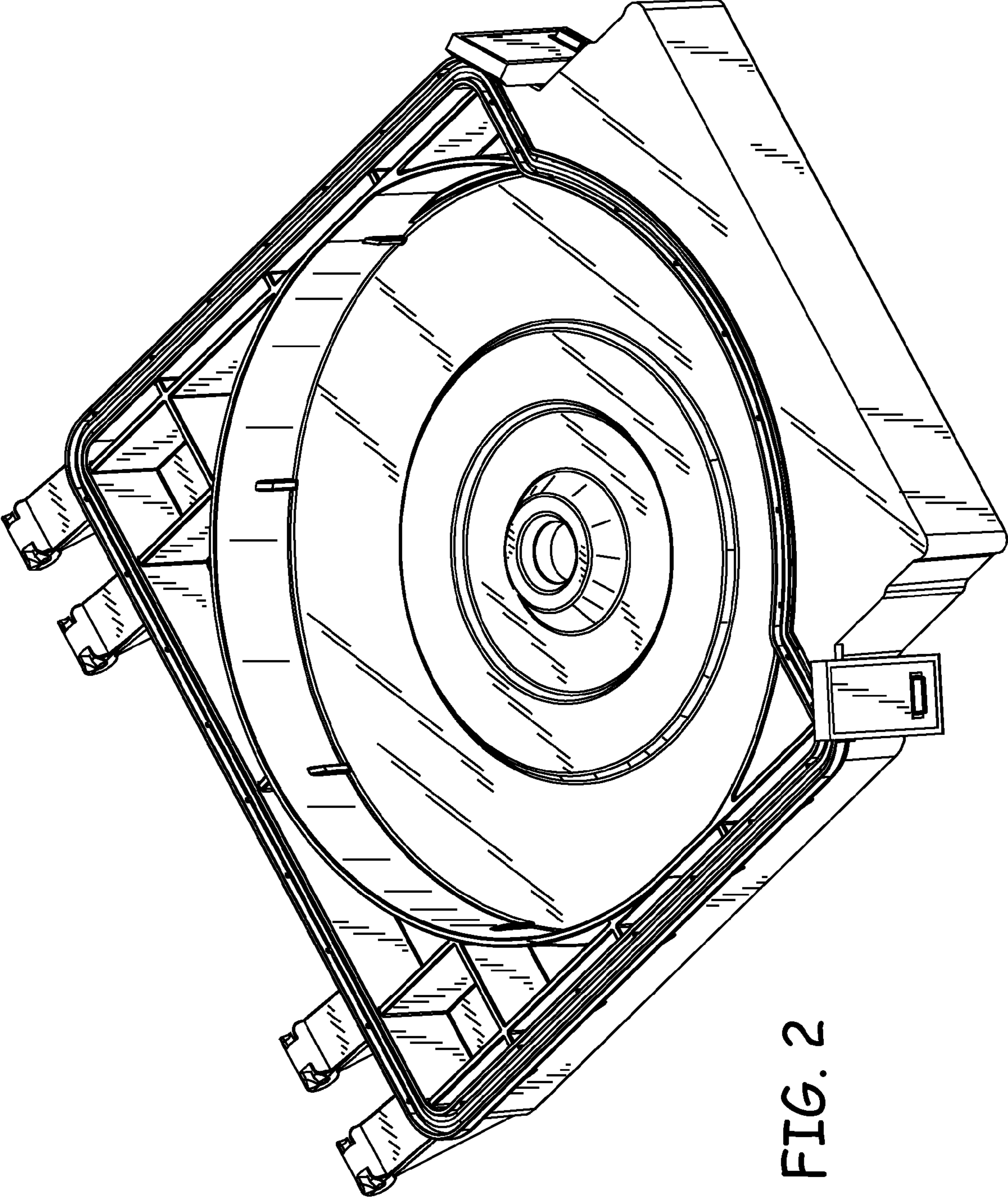


FIG. 2

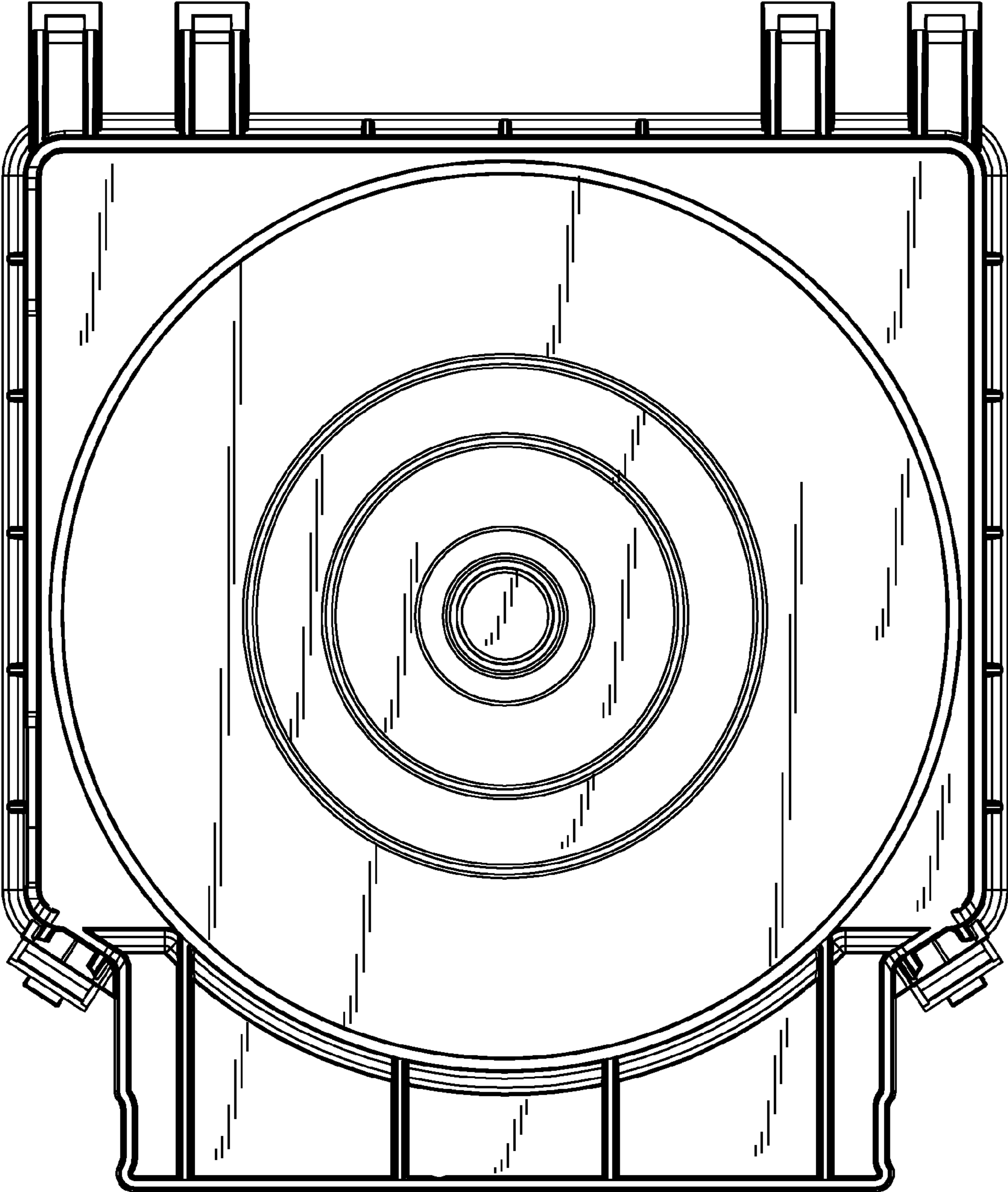


FIG. 3

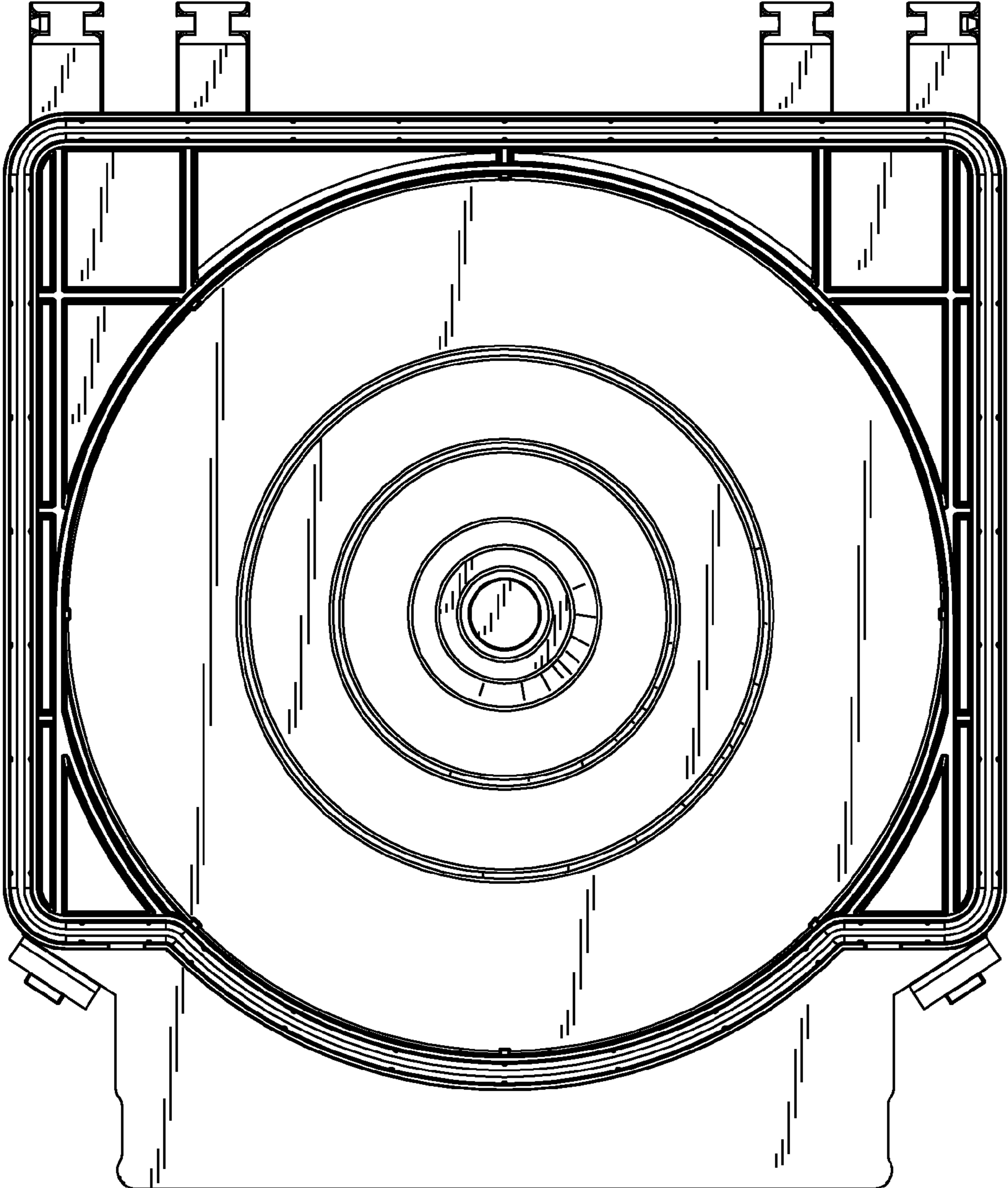


FIG. 4

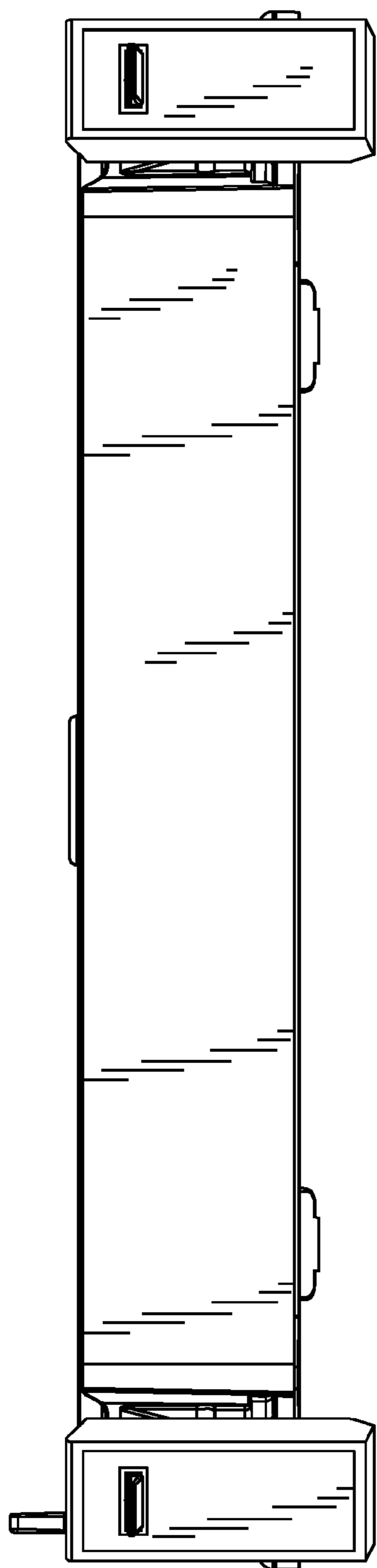


FIG. 5

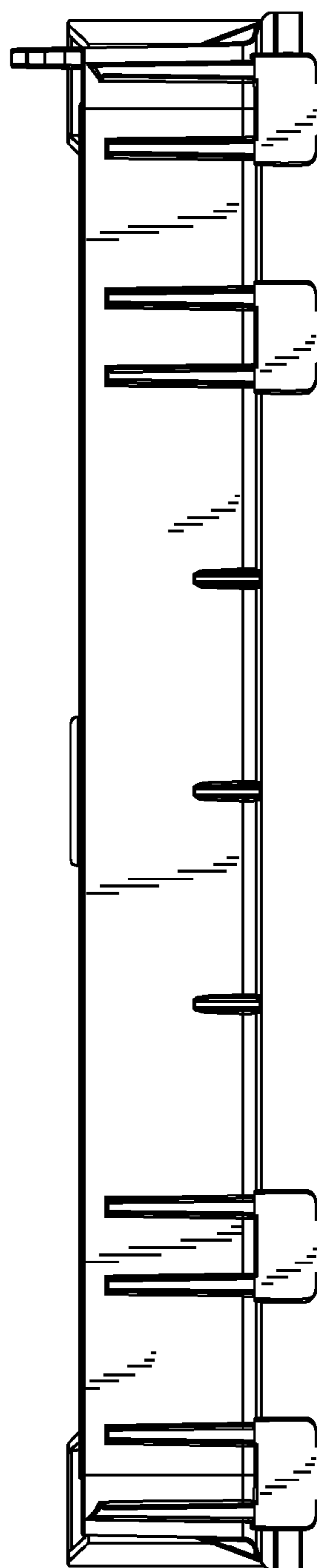


FIG. 6

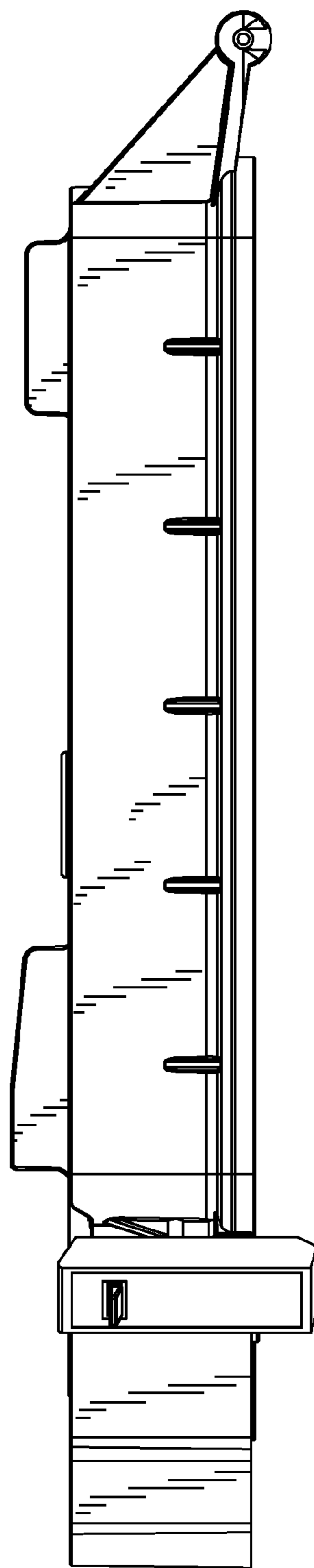
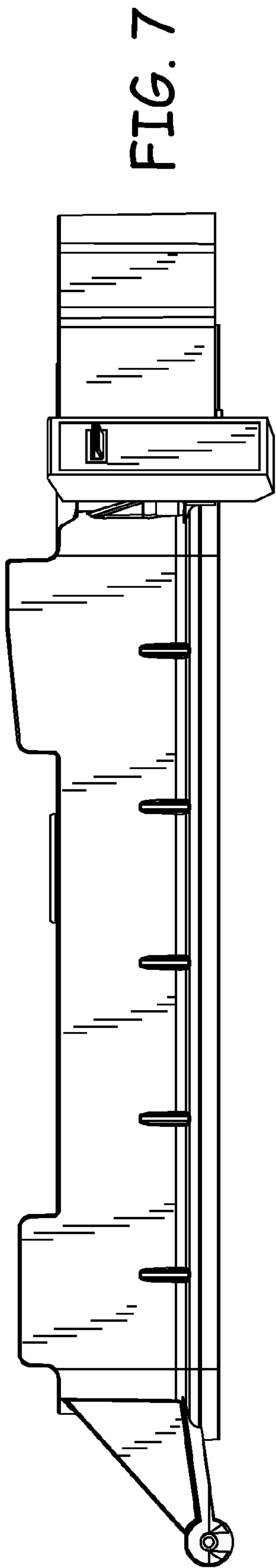


FIG. 8

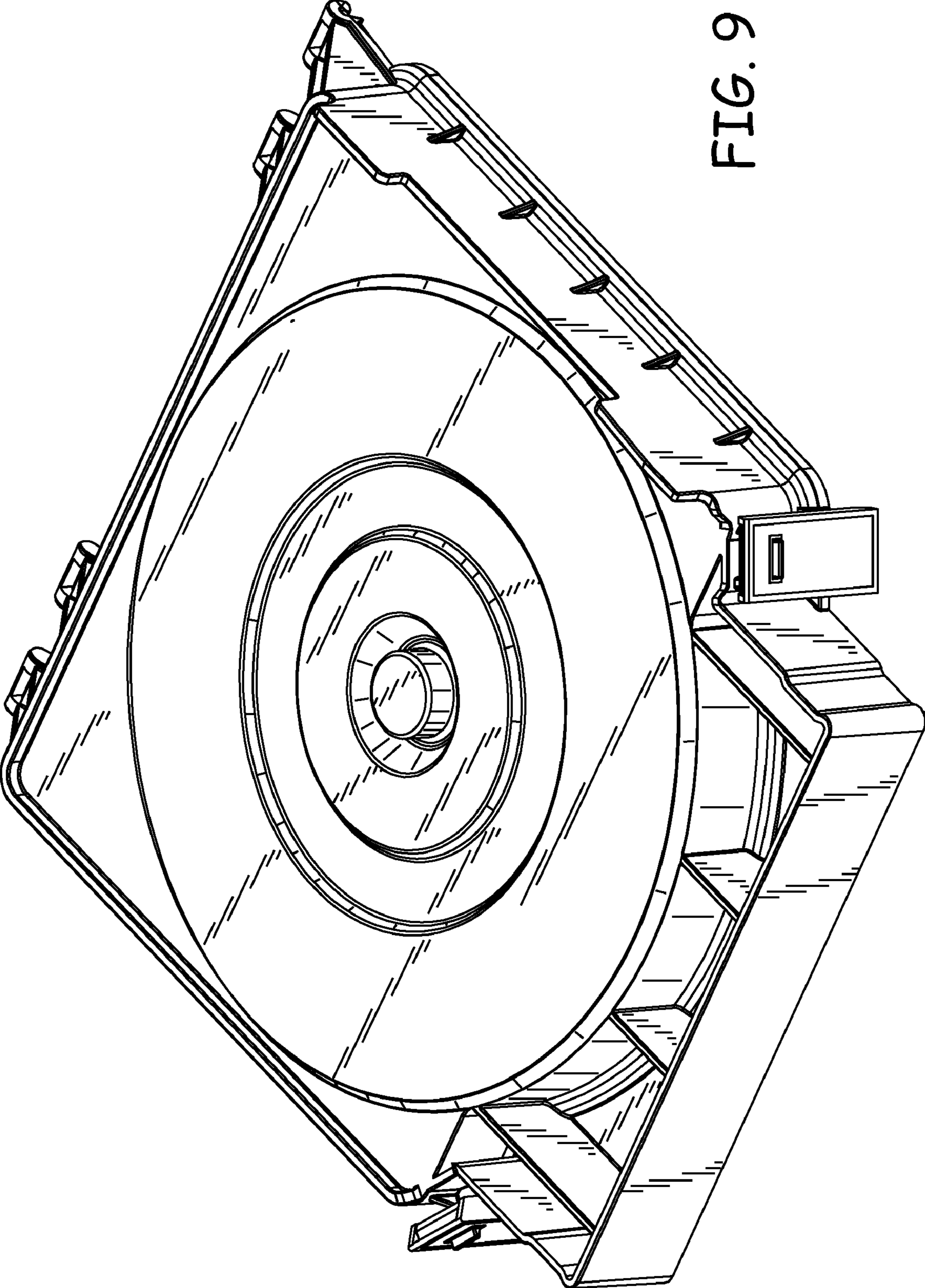


FIG. 9

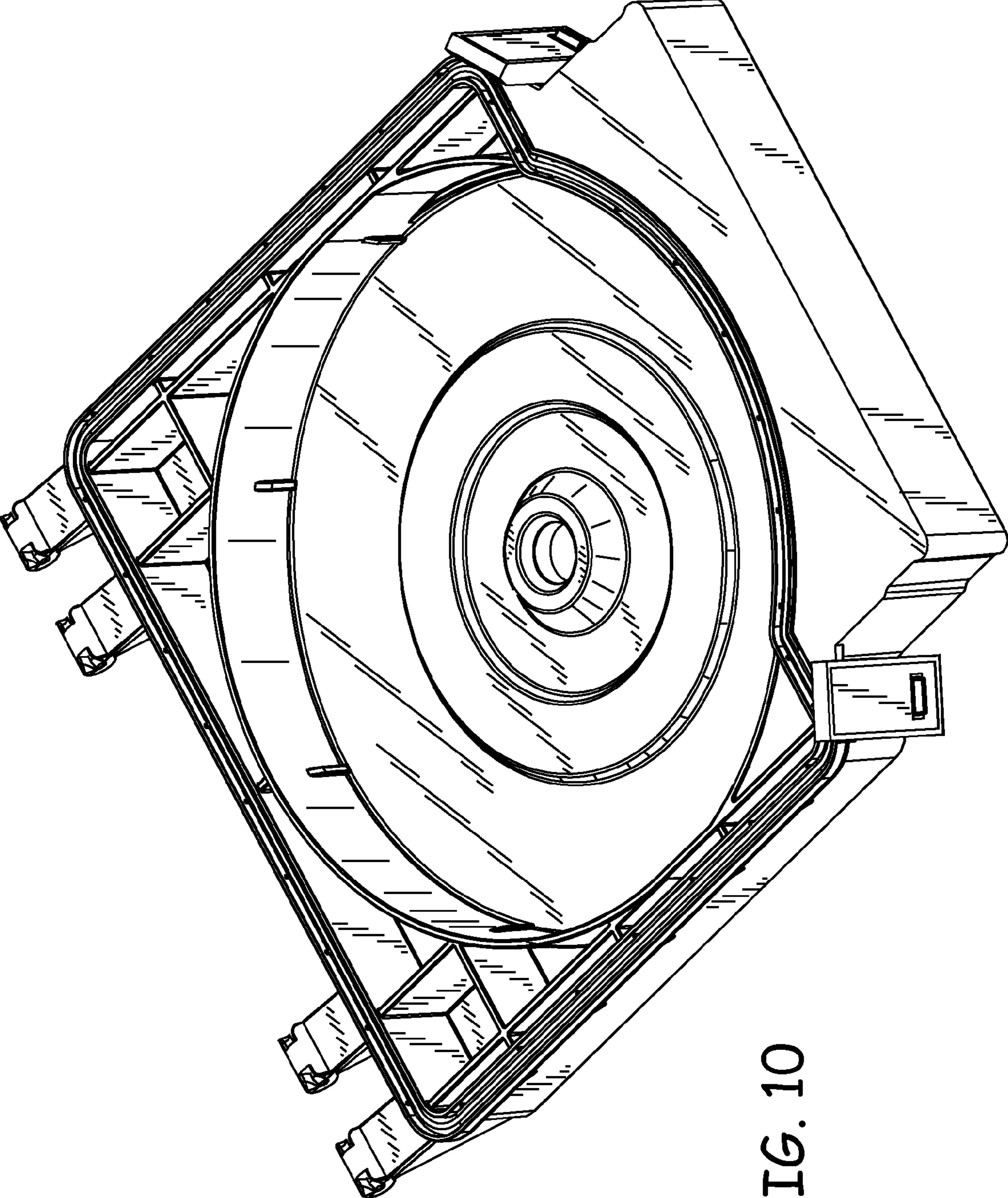


FIG. 10

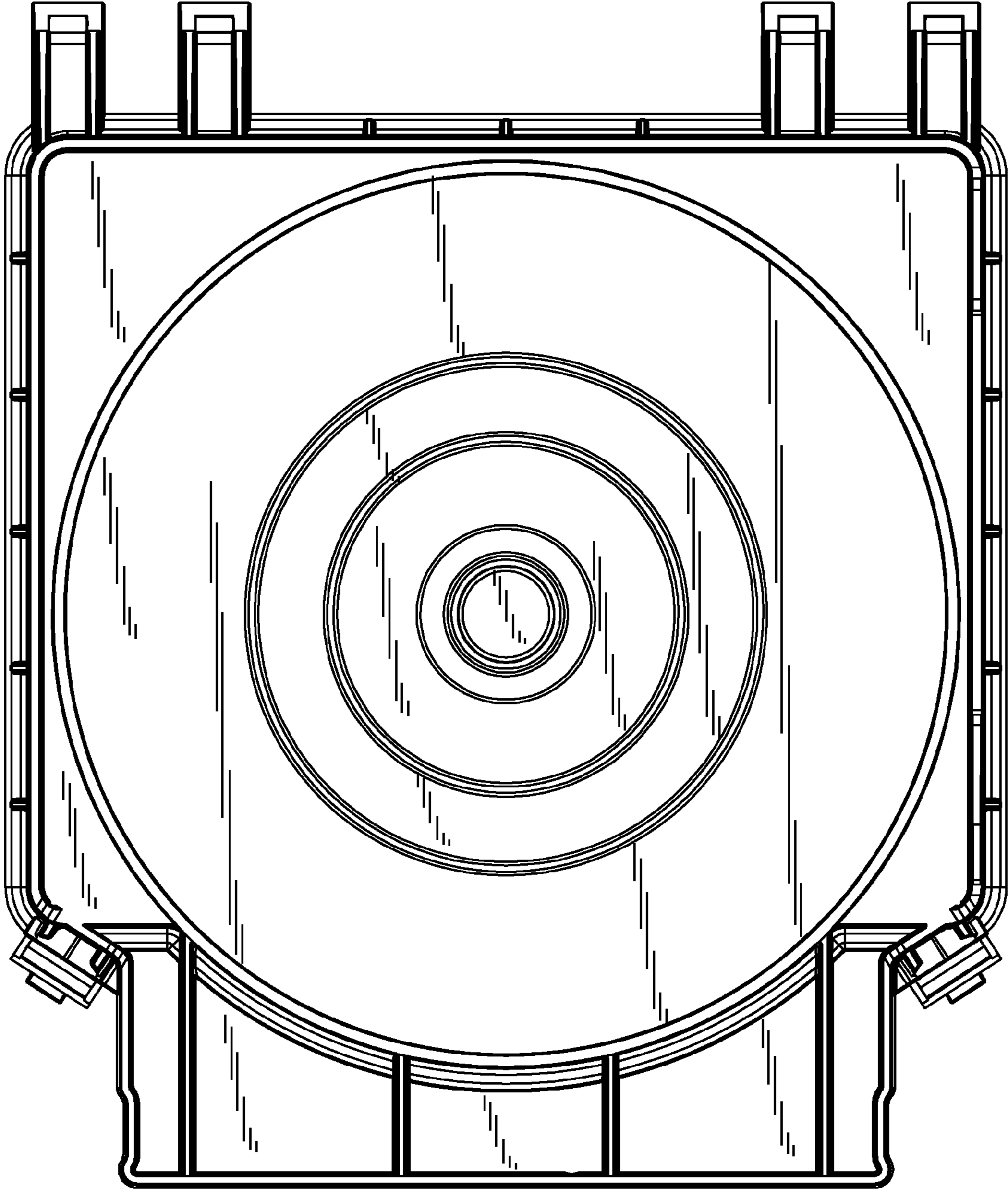


FIG. 11

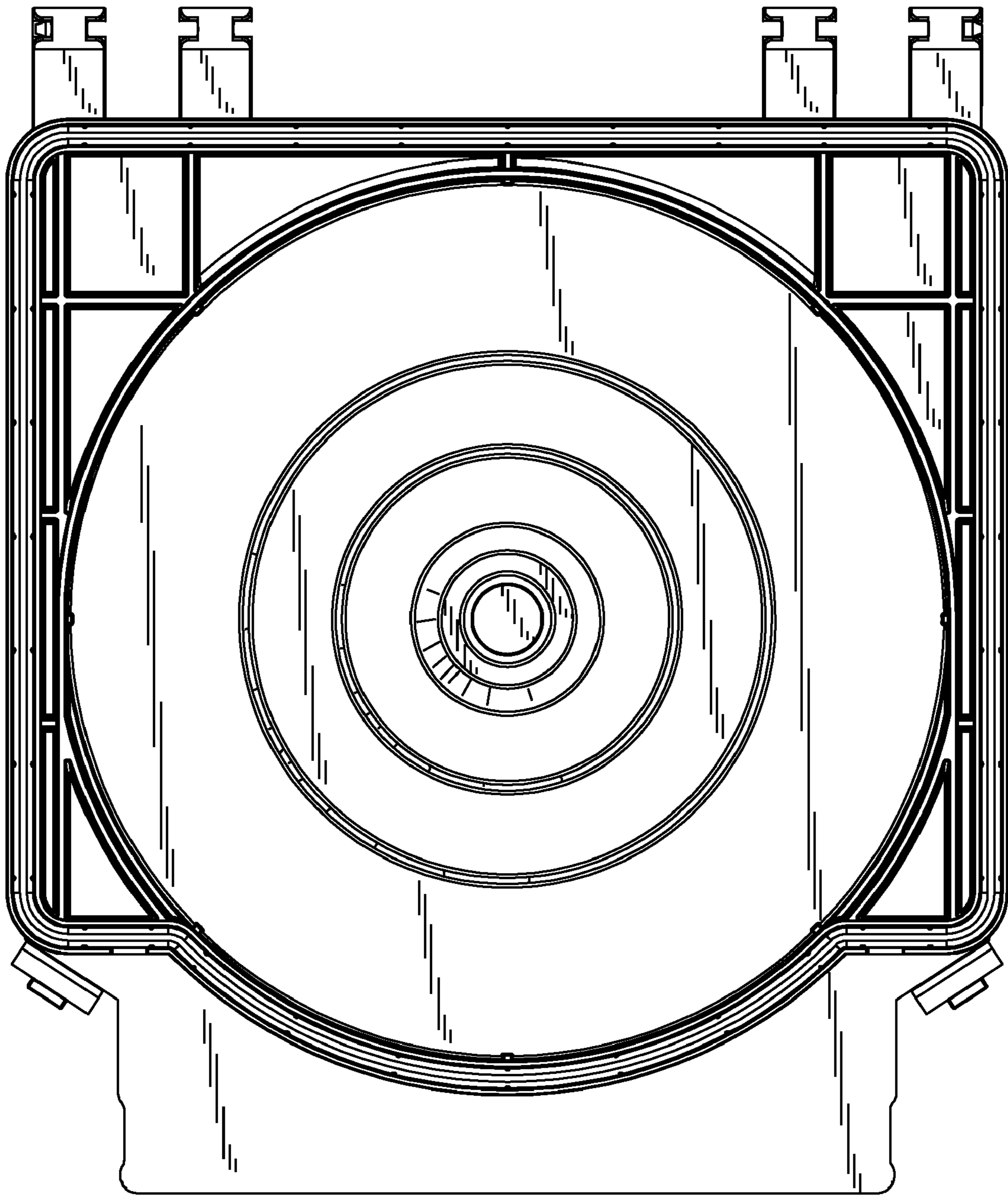


FIG. 12

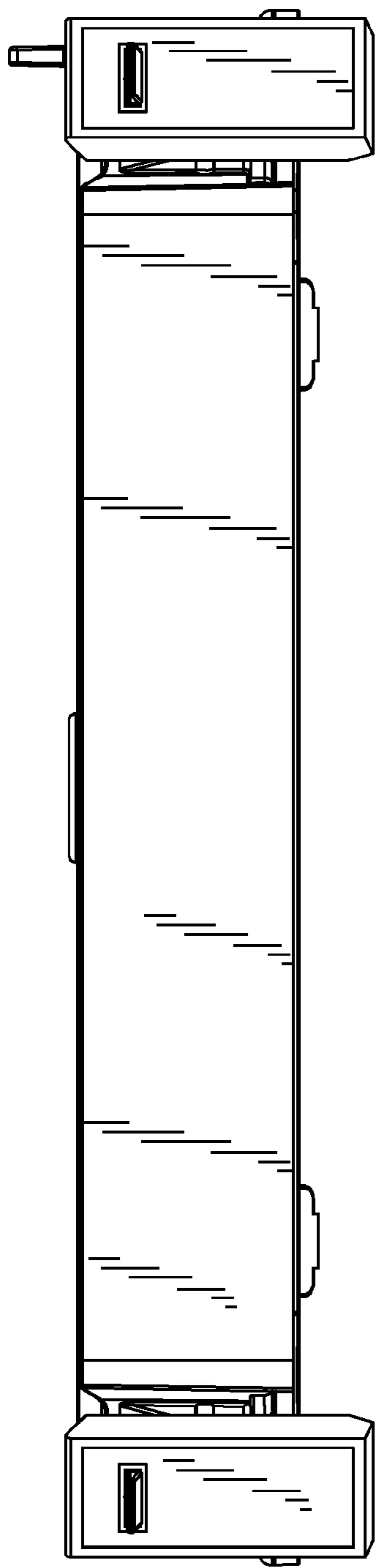


FIG. 13

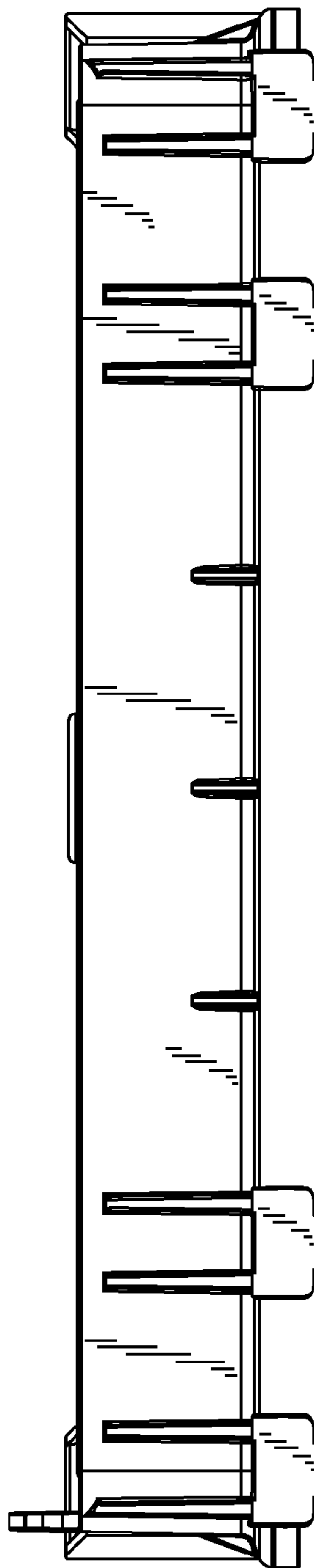


FIG. 14

FIG. 15

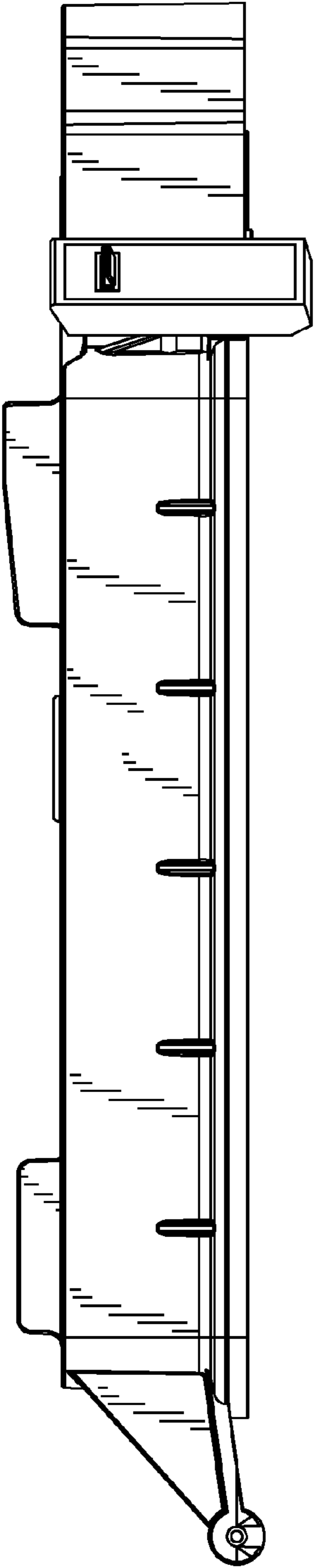


FIG. 16

