



US00D606993S

(12) **United States Design Patent**
Watson et al.

(10) **Patent No.:** **US D606,993 S**
(45) **Date of Patent:** **** Dec. 29, 2009**

(54) **ELECTRONIC DOCUMENT READER**

(75) Inventors: **Ben Watson**, Hertfordshire (GB); **Nick Sandham**, London (GB); **Duncan Barclay**, Cambridgeshire (GB); **Simon Jones**, Cambridgeshire (GB); **Carl Hayton**, Cambridgeshire (GB); **Anasha Nirmalanathan**, Cambridgeshire (GB); **David Fisher**, Middlesex (GB)

(73) Assignee: **Plastic Logic Limited**, Cambridgeshire (GB)

(**) Term: **14 Years**

(21) Appl. No.: **29/278,501**

(22) Filed: **Mar. 30, 2007**

(30) **Foreign Application Priority Data**

Feb. 7, 2007 (EM) 000670260

(51) **LOC (9) Cl.** **14-02**

(52) **U.S. Cl.** **D14/341**

(58) **Field of Classification Search** D14/345, D14/482, 496, 371, 129, 373, 341-344, 346, D14/420-425; 345/619, 173, 901, 206, 100, 345/107, 1.1, 204, 533, 1.3, 156, 169; 434/317, 434/169, 308, 178, 156, 167, 307 R, 309; 361/681, 685, 686; 369/292; 235/375; 348/836, 348/E5.128; 358/527, 474, 444; D6/300, D6/308; 715/273; 132/216; D28/36; 206/581; 402/4; 281/22, 29, 51; D21/330, 333; 367/68; D19/35, 52, 26, 59, 60; 349/12; 178/18.03

See application file for complete search history.

(56) **References Cited**

U.S. PATENT DOCUMENTS

D277,422 S * 1/1985 Bakic D28/83
D280,852 S * 10/1985 Bakic D28/83
D280,853 S * 10/1985 Bakic D28/83
D313,126 S * 12/1990 Ratslaff et al. D6/308
5,250,929 A * 10/1993 Hoffman et al. 715/823

D366,280 S * 1/1996 Henderson D19/52
5,697,793 A * 12/1997 Huffman et al. 434/317
D391,987 S * 3/1998 Jambhekar et al. D14/345
D399,526 S * 10/1998 Brady D14/345
5,847,698 A * 12/1998 Reavey et al. 345/173
D407,855 S * 4/1999 Orsomando D28/83
6,072,476 A * 6/2000 Harada et al. 345/204

(Continued)

FOREIGN PATENT DOCUMENTS

EM 000670252 2/2007

(Continued)

OTHER PUBLICATIONS

U.S. Appl. No. 29/278,503, filed Mar. 30, 2007, Matthew Marsh et al.

(Continued)

Primary Examiner—Susan Moon Lee

(74) *Attorney, Agent, or Firm*—Knobbe, Martens, Olson & Bear, LLP

(57) **CLAIM**

The ornamental design for an electronic document reader, as shown and described.

DESCRIPTION

FIG. 1 is a front view of an electronic document reader according to the present design;

FIG. 2 is a rear view thereof;

FIG. 3 is a left side elevation view thereof;

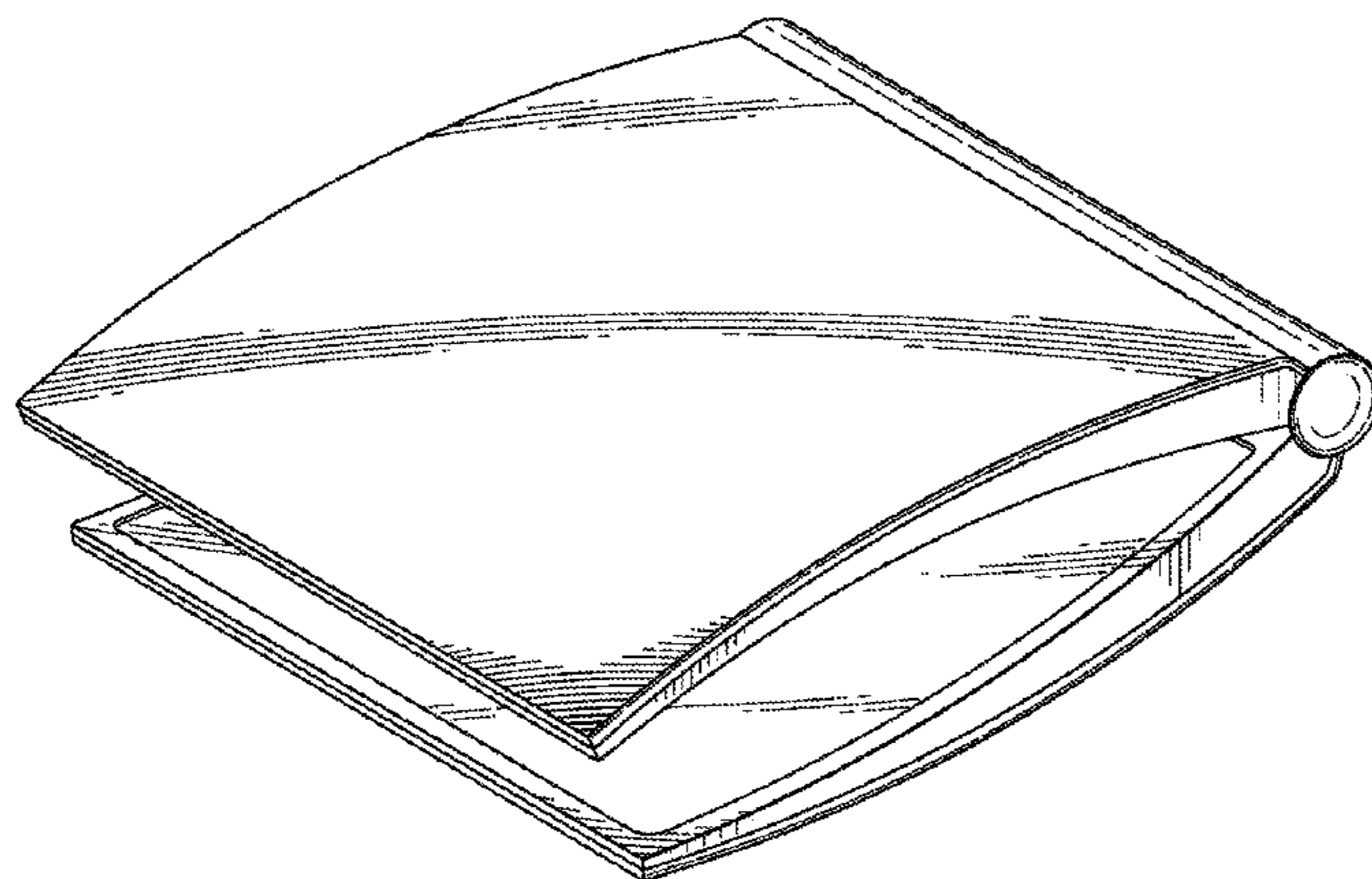
FIG. 4 is a front, right side perspective view thereof;

FIG. 5 is a left side view of the electronic document reader shown in a closed position; and,

FIG. 6 is a front, left side perspective view of the electronic document reader shown in a closed position.

The portions shown in broken line are not claimed.

1 Claim, 5 Drawing Sheets



US D606,993 S

Page 2

U.S. PATENT DOCUMENTS

6,172,360 B1 * 1/2001 Khovaylo et al. 250/235
D442,953 S * 5/2001 Lassen D14/345
6,229,502 B1 * 5/2001 Schwab 345/1.1
D445,787 S * 7/2001 Francis D14/345
6,313,828 B1 * 11/2001 Chombo 345/169
D459,031 S * 6/2002 Limongi D28/83
D459,394 S * 6/2002 Obadiaru et al. D19/60
6,512,497 B1 * 1/2003 Kondo et al. 345/1.1
6,671,011 B1 * 12/2003 Zhang et al. 349/58
D489,367 S * 5/2004 Lynch et al. D14/345
D492,680 S * 7/2004 Avery D14/345
D493,463 S * 7/2004 Takahashi D14/373
D494,166 S * 8/2004 Kumagai et al. D14/345
D494,968 S * 8/2004 Yonekawa et al. D14/345
D495,693 S * 9/2004 Yonekawa et al. D14/345
D505,752 S * 5/2005 Martinez D28/83
6,897,850 B2 * 5/2005 Sugimoto 345/169
D507,567 S * 7/2005 Yonekawa et al. D14/345
6,930,881 B2 * 8/2005 Karidis et al. 361/683

D512,533 S * 12/2005 Martinez D28/83
6,972,752 B2 * 12/2005 Nako et al. 345/173
6,985,135 B2 * 1/2006 Sugimoto 345/169
D517,545 S * 3/2006 Buckel et al. D14/345
7,077,330 B2 * 7/2006 Silverbrook et al. 235/491
7,138,982 B2 * 11/2006 Sugimoto 345/169
7,167,158 B2 * 1/2007 Silverbrook 345/156
2001/0051329 A1 * 12/2001 Lynch et al. 434/317
2003/0179541 A1 * 9/2003 Sullivan 361/681
2004/0046705 A1 * 3/2004 Masazumi et al. 345/1.1
2004/0219501 A1 * 11/2004 Small et al. 434/317

FOREIGN PATENT DOCUMENTS

EM 000670278 2/2007
EM 000670286 2/2007

OTHER PUBLICATIONS

U.S. Appl. No. 29/278,502, filed Mar. 30, 2007, Matthew Marsh et al.
U.S. Appl. No. 29/278,500, filed Mar. 30, 2007, Matthew Marsh et al.

* cited by examiner

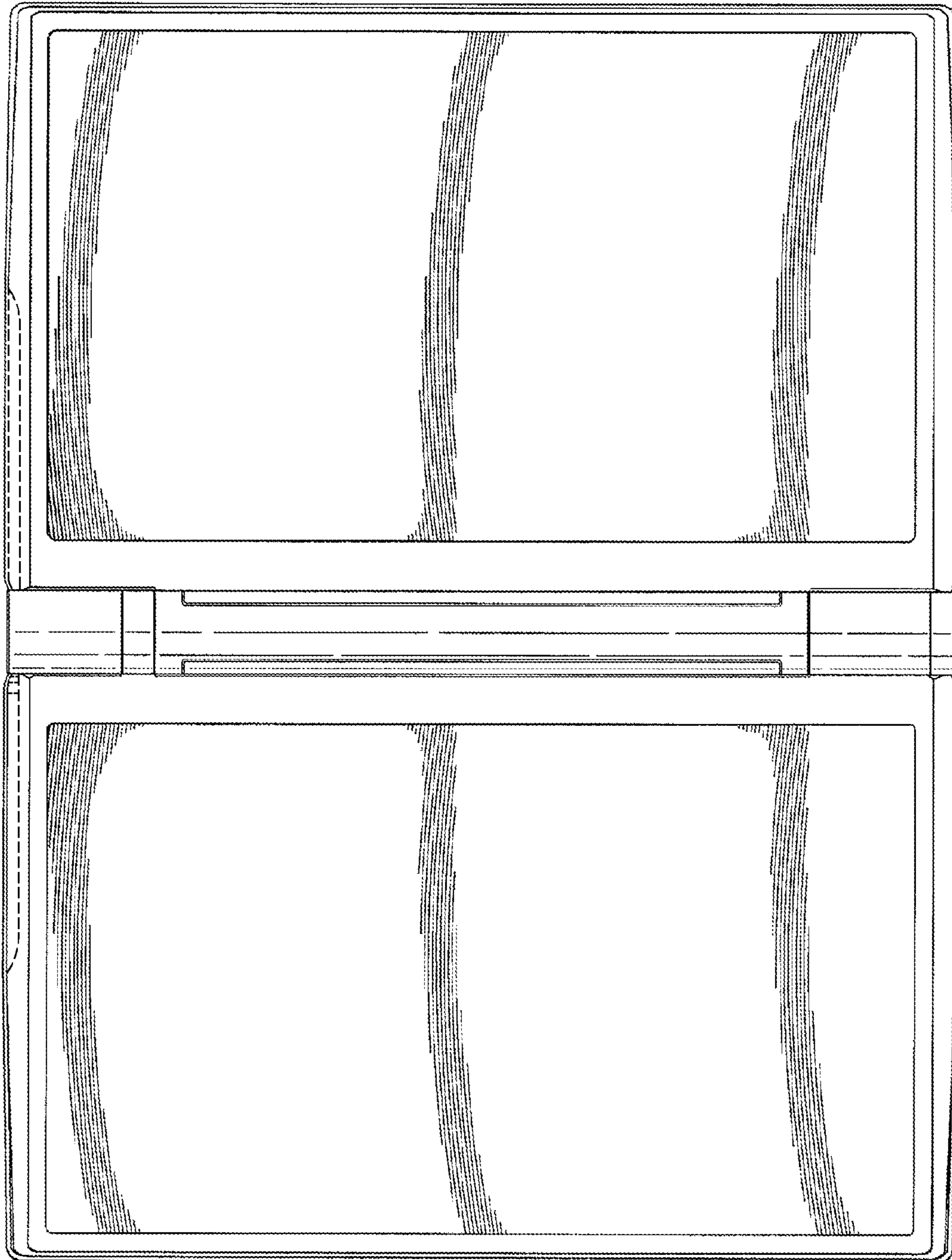


Fig.1

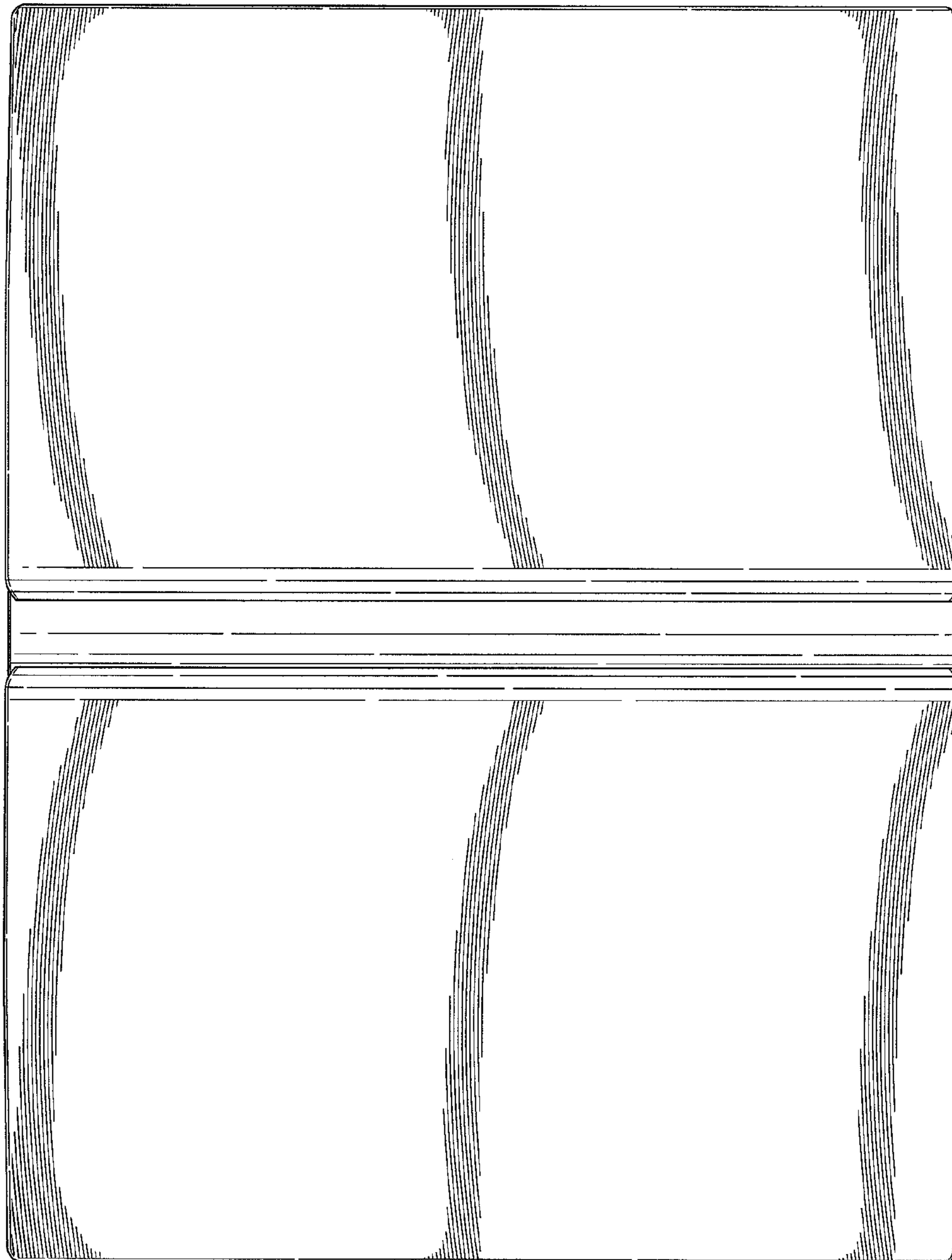


Fig.2

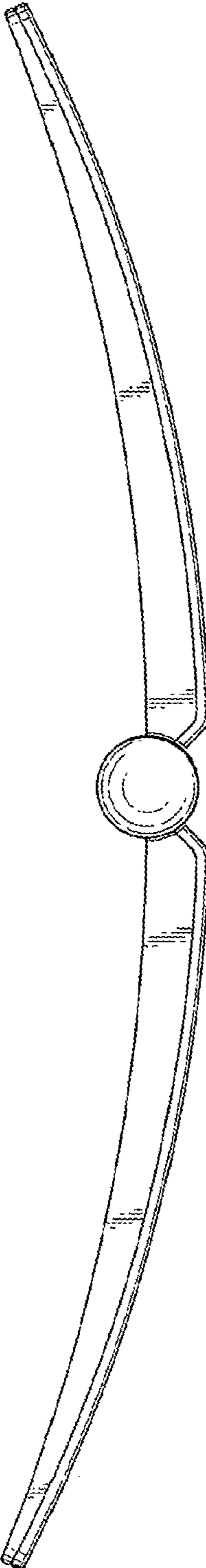


Fig. 3

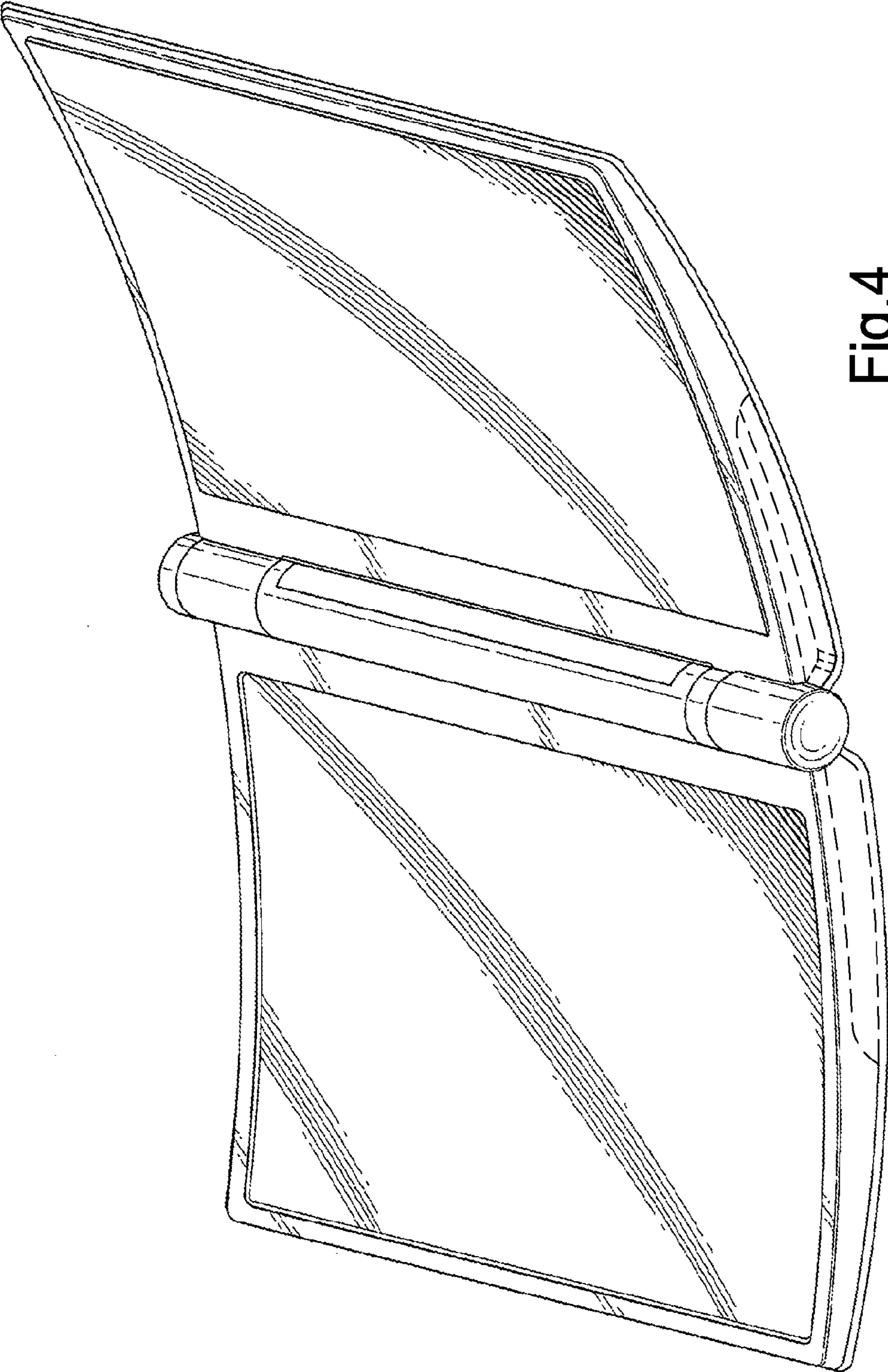


Fig.4

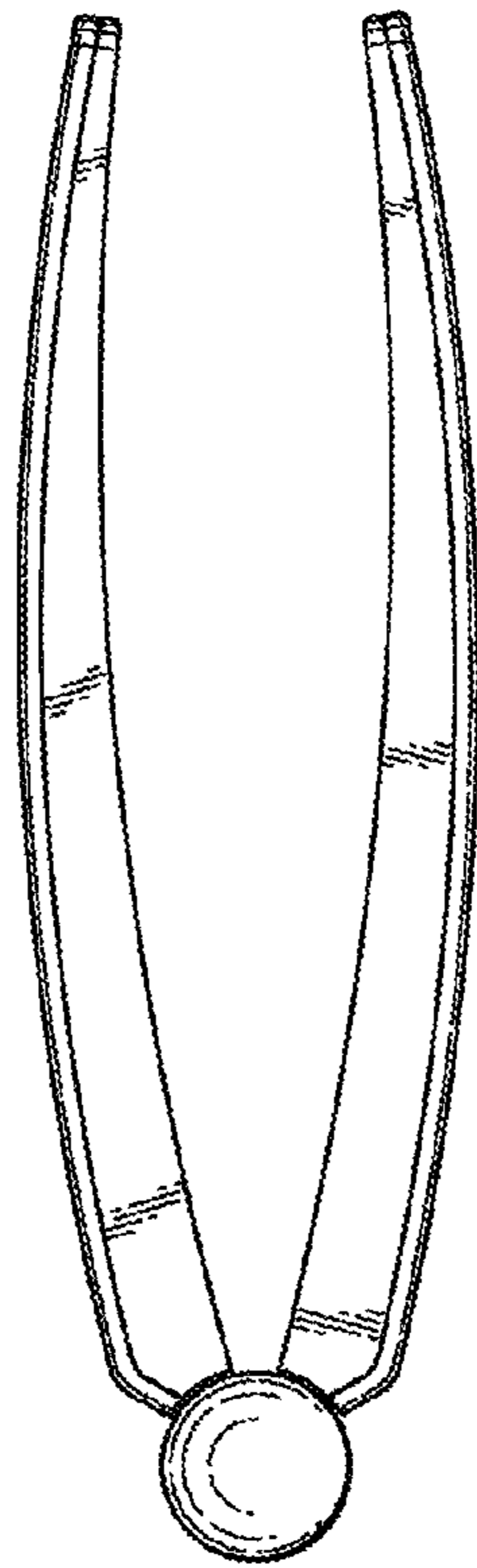


Fig. 5

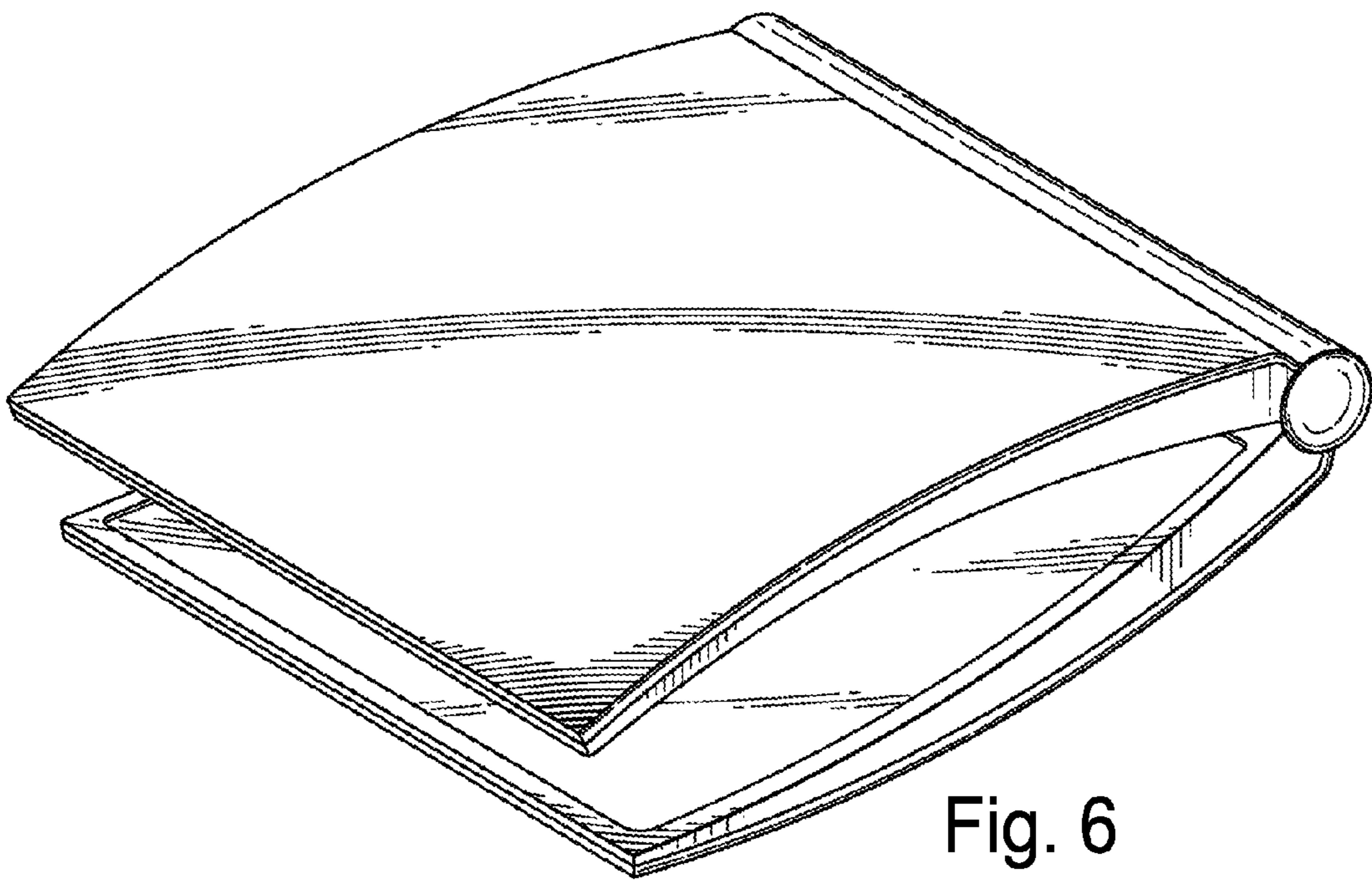


Fig. 6

UNITED STATES PATENT AND TRADEMARK OFFICE
CERTIFICATE OF CORRECTION

PATENT NO. : D606,993 S
APPLICATION NO. : 29/278501
DATED : December 29, 2009
INVENTOR(S) : Watson et al.

Page 1 of 1

It is certified that error appears in the above-identified patent and that said Letters Patent is hereby corrected as shown below:

Title page,
Item [75], line 5 change "Anasha" to -- Anusha -- therefore.

Signed and Sealed this
Twenty-eighth Day of December, 2010

A handwritten signature in black ink that reads "David J. Kappos". The signature is written in a cursive style with a large initial 'D' and 'K'.

David J. Kappos
Director of the United States Patent and Trademark Office