



US00D606990S

(12) **United States Design Patent**  
**Chen et al.**

(10) **Patent No.:** **US D606,990 S**

(45) **Date of Patent:** **\*\* Dec. 29, 2009**

(54) **LAPTOP COMPUTER**

(75) Inventors: **Hung-Ling Chen**, Taipei (TW);  
**Hui-Chi Kuo**, Taipei (TW)

(73) Assignee: **Micro-Star Int'l Co., Ltd.**, Jung-He,  
Taipei Hsien (TW)

(\*\*) Term: **14 Years**

(21) Appl. No.: **29/340,525**

(22) Filed: **Jul. 21, 2009**

(30) **Foreign Application Priority Data**

Jun. 26, 2009 (TW) ..... 98302930

(51) **LOC (9) Cl.** ..... **14-02**

(52) **U.S. Cl.** ..... **D14/327; D14/315**

(58) **Field of Classification Search** ..... D14/315-327,  
D14/341-345, 331, 130; D18/1, 2, 7, 11;  
178/17 A, 17 C; 345/102, 104, 156, 163,  
345/168; 341/22, 23; 361/679.11, 679.27;  
400/486, 489

See application file for complete search history.

(56) **References Cited**

**U.S. PATENT DOCUMENTS**

6,067,224 A \* 5/2000 Nobuchi ..... 361/679.27

D467,915 S \* 12/2002 Wada ..... D14/322  
D476,326 S \* 6/2003 Tanimura ..... D14/318  
D547,309 S \* 7/2007 Yoon ..... D14/315  
D578,524 S \* 10/2008 Yoon ..... D14/319  
D578,525 S \* 10/2008 Yoon ..... D14/319  
D586,796 S \* 2/2009 Lee et al. .... D14/315  
2005/0018396 A1 \* 1/2005 Nakajima et al. .... 361/683  
2005/0041378 A1 \* 2/2005 Hamada et al. .... 361/680

\* cited by examiner

*Primary Examiner*—Freda S Nunn

(74) *Attorney, Agent, or Firm*—Winston Hsu

(57) **CLAIM**

The ornamental design for a laptop computer, as shown.

**DESCRIPTION**

FIG. 1 is a perspective view of a laptop computer;

FIG. 2 is a front view thereof;

FIG. 3 is a rear view thereof;

FIG. 4 is a left side elevational view thereof;

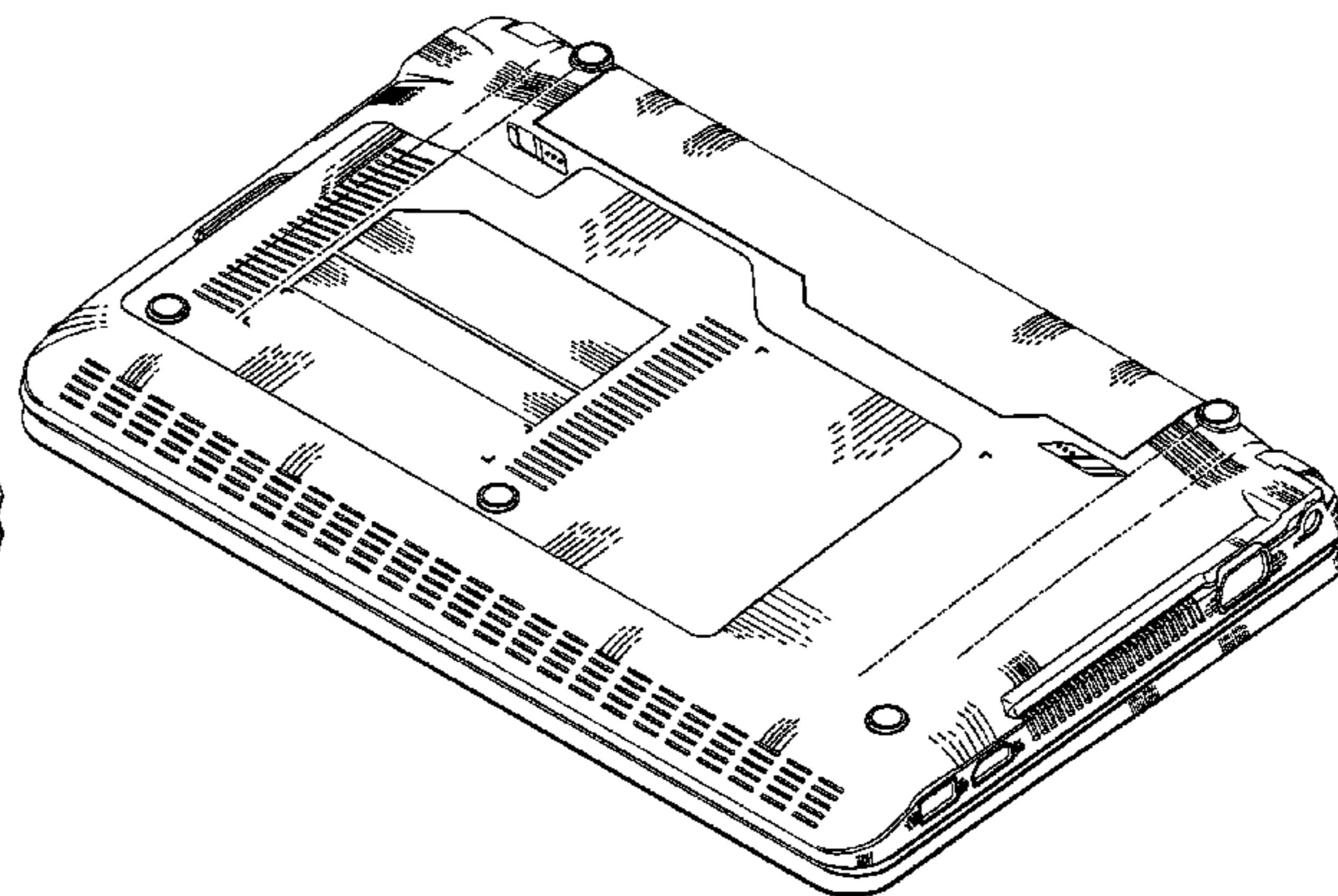
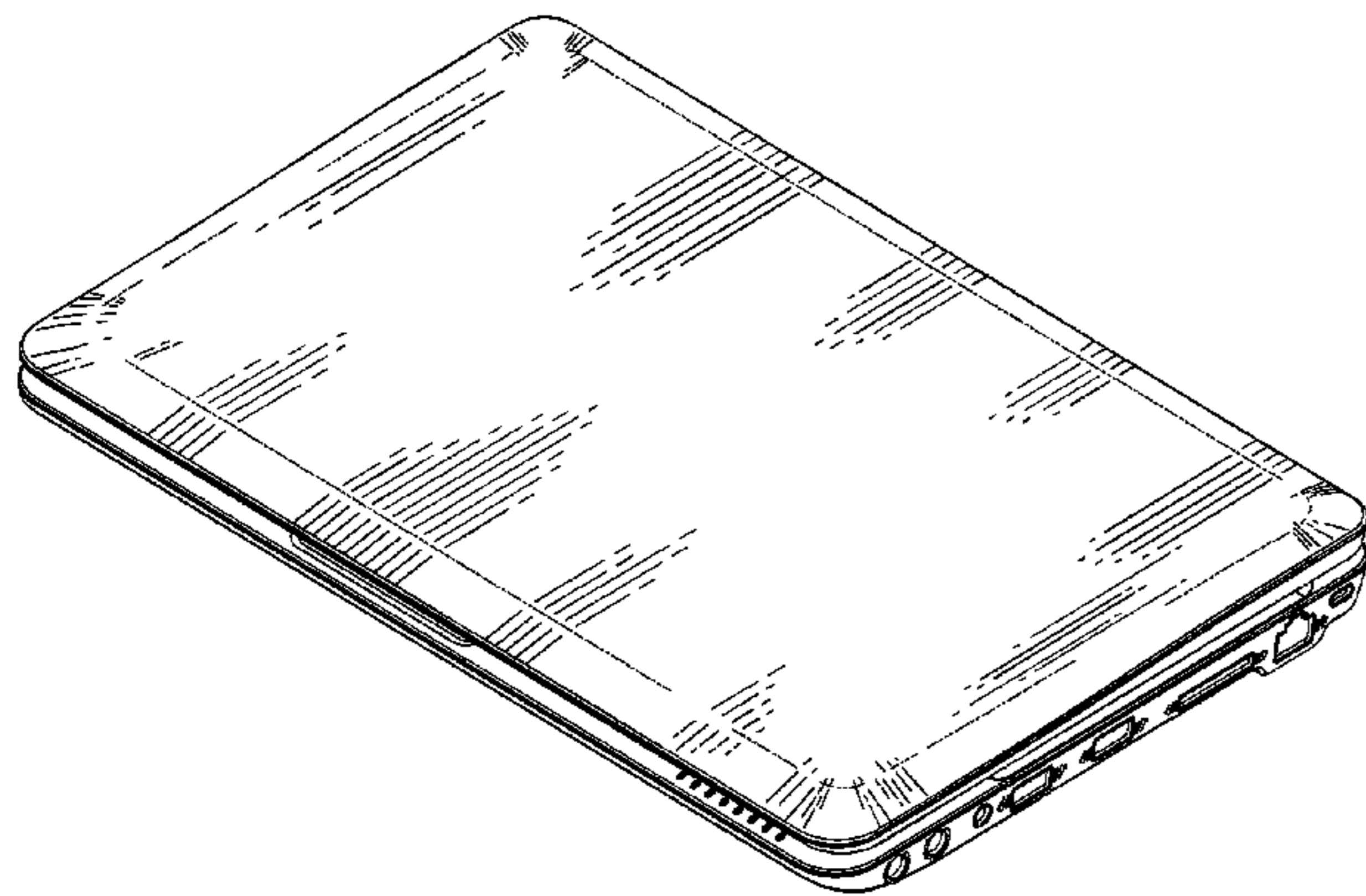
FIG. 5 is a right side elevational view thereof;

FIG. 6 is a top plan view thereof;

FIG. 7 is a bottom plan view thereof; and,

FIG. 8 is a rear perspective view thereof.

**1 Claim, 8 Drawing Sheets**



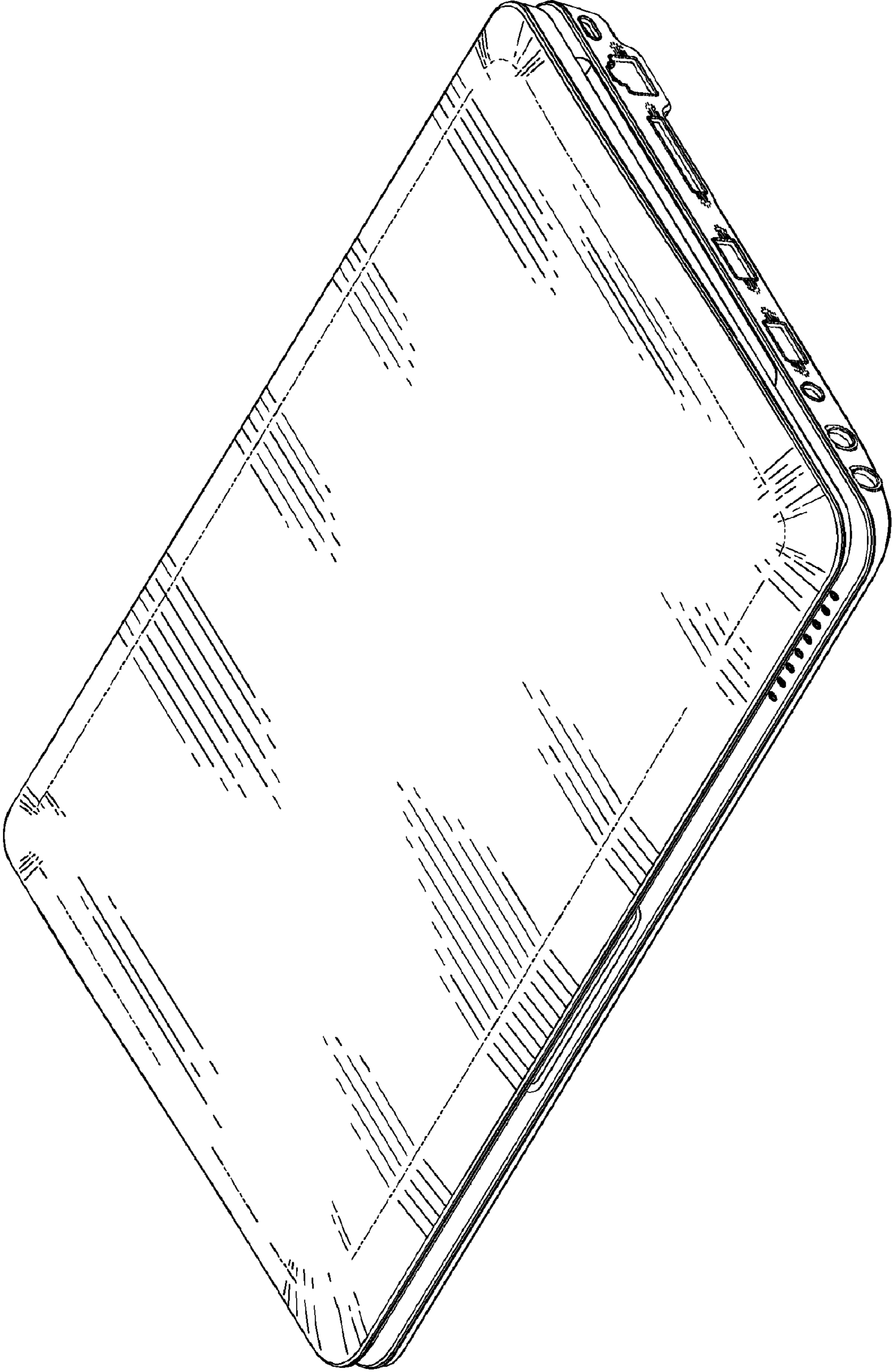


FIG. 1

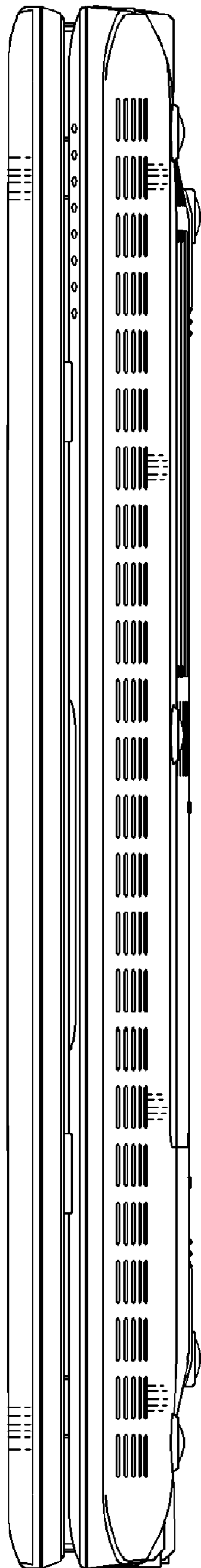


FIG. 2

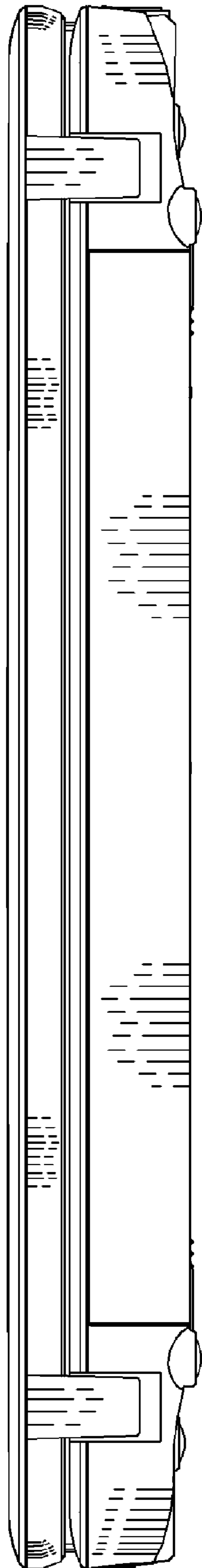


FIG. 3

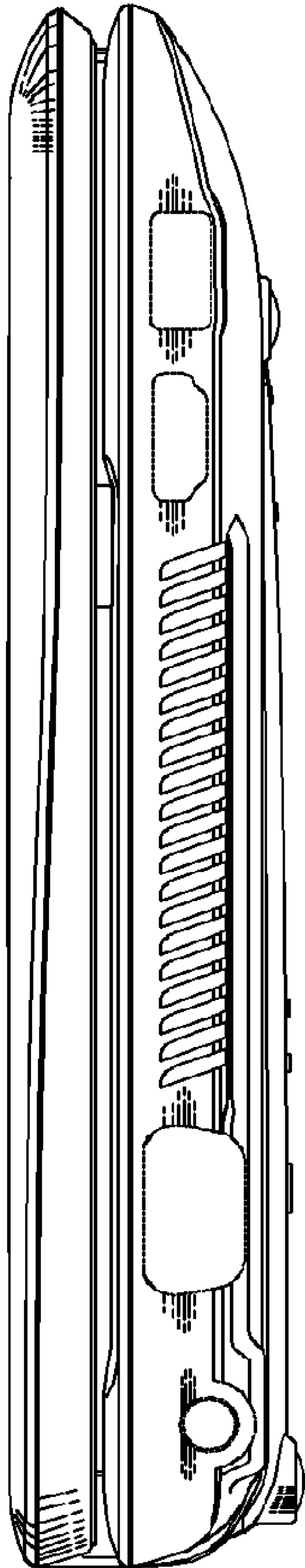


FIG. 4

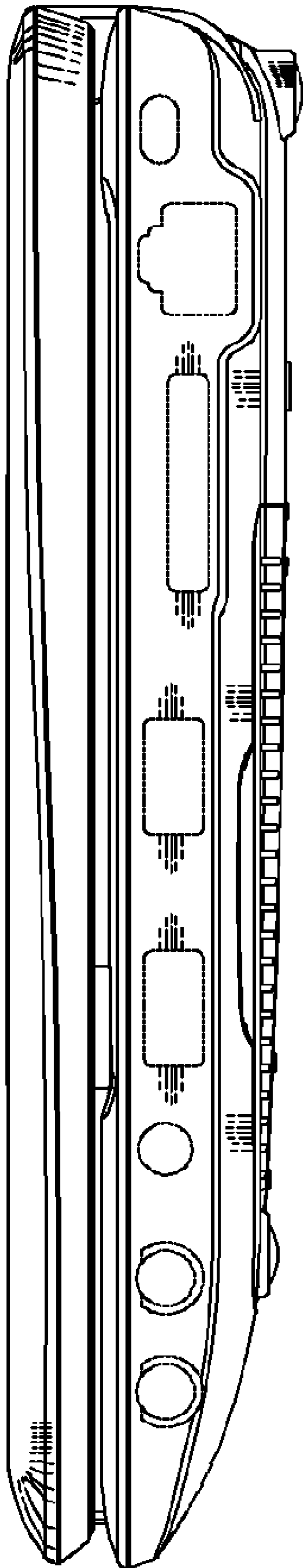


FIG. 5

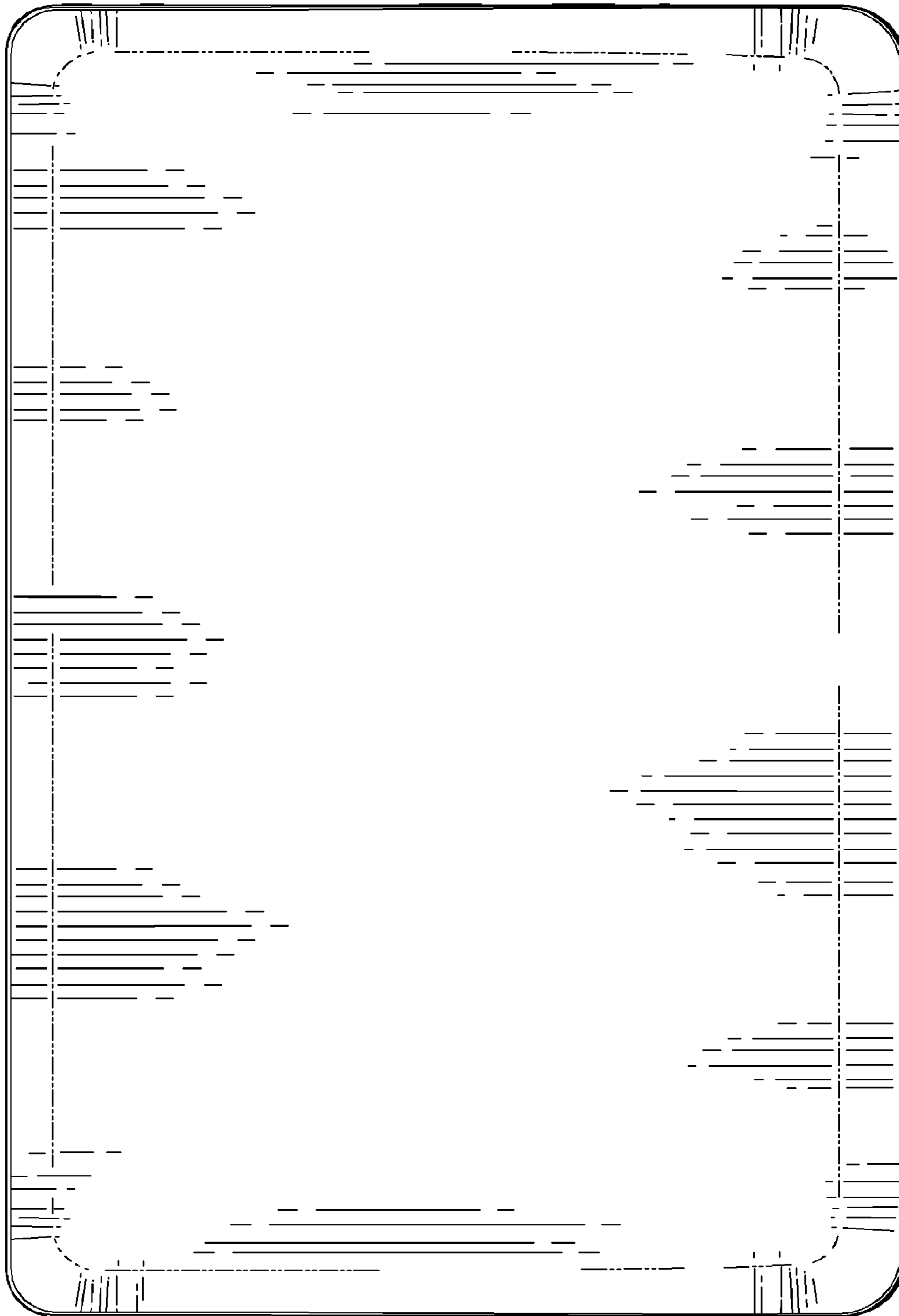


FIG. 6

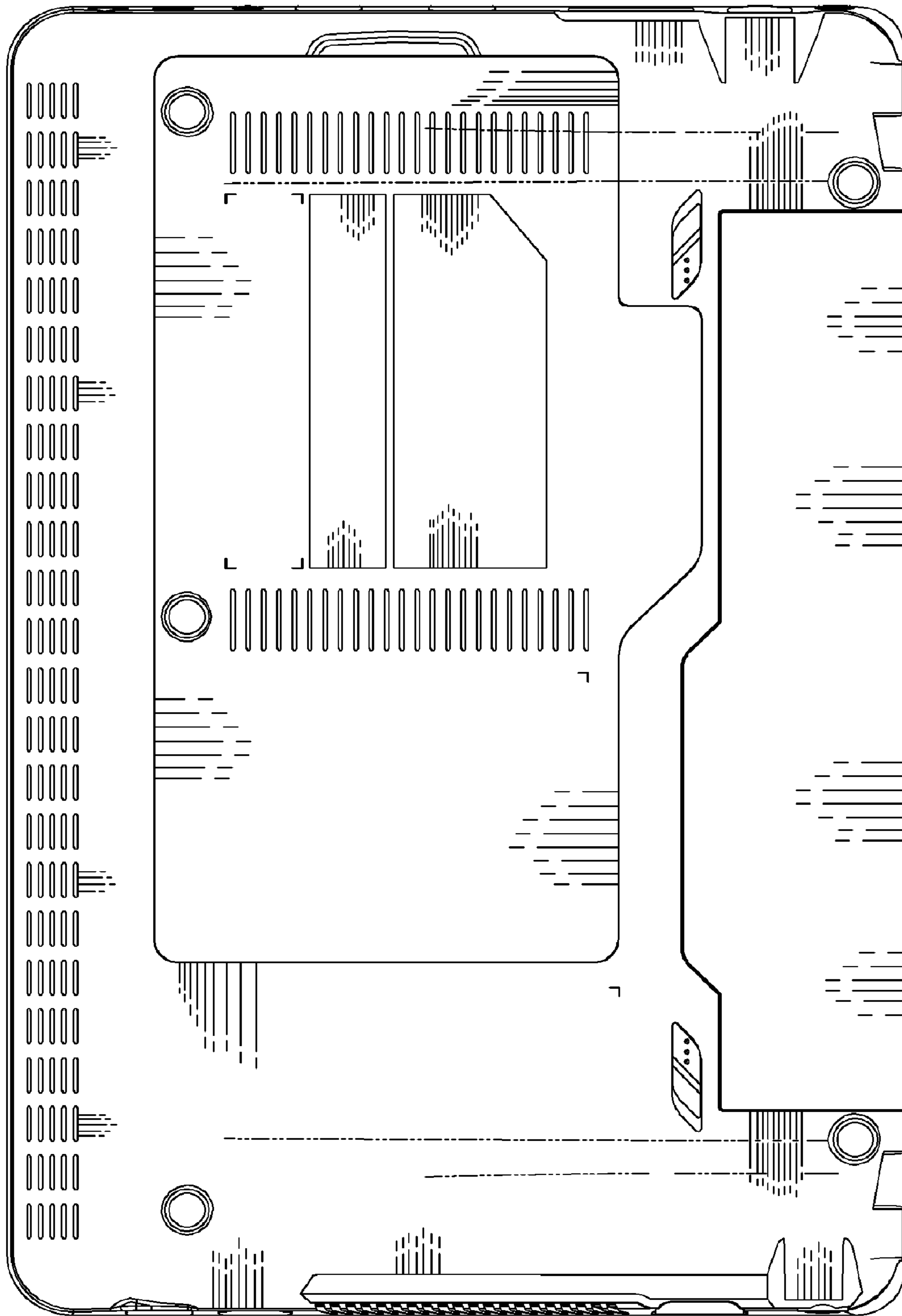


FIG. 7



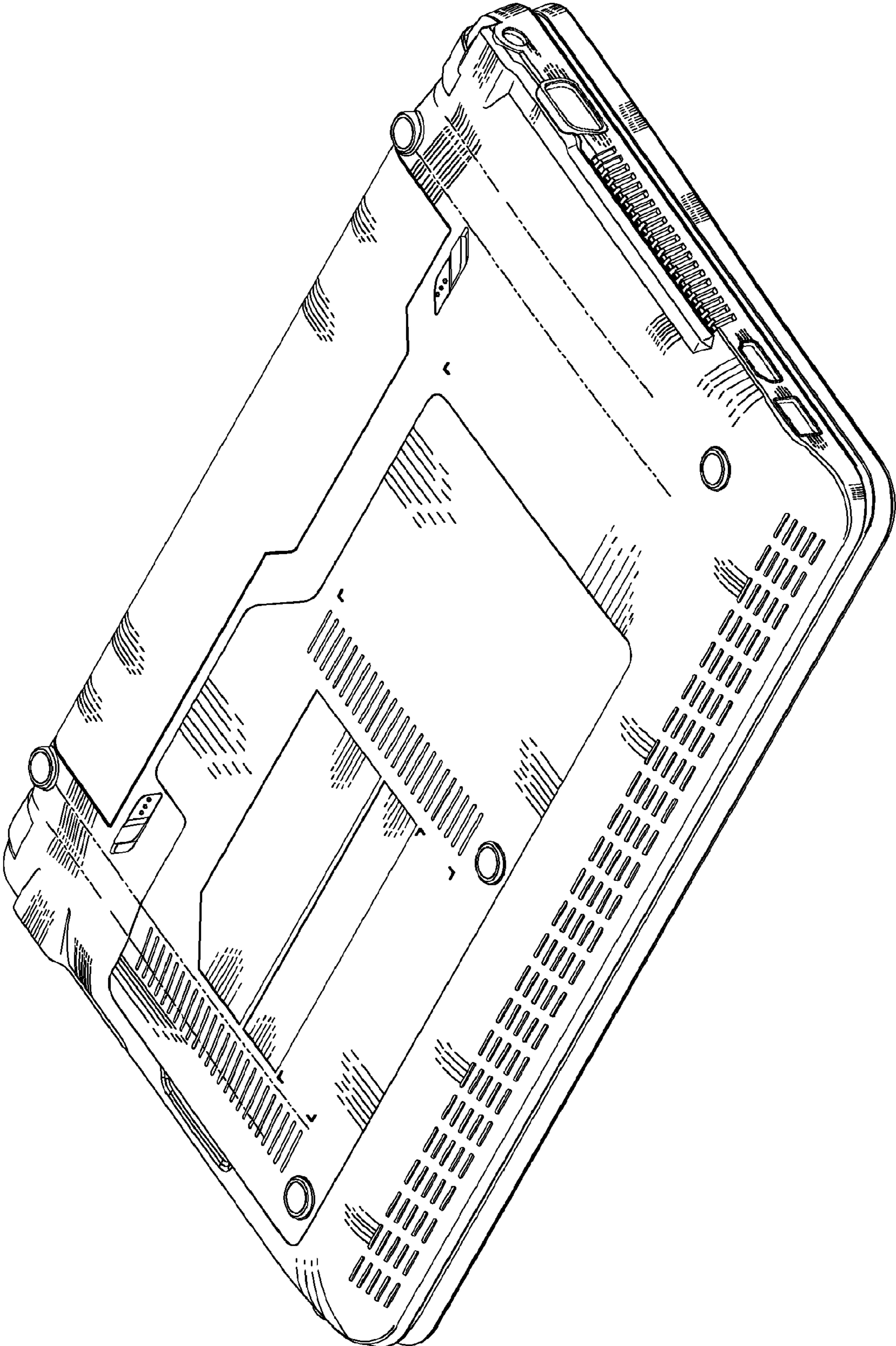


FIG. 8