



US00D606989S

(12) **United States Design Patent**
Andre et al.

(10) **Patent No.:** **US D606,989 S**

(45) **Date of Patent:** **** Dec. 29, 2009**

(54) **PORTABLE COMPUTER**

(75) Inventors: **Bartley K. Andre**, Menlo Park, CA (US); **Daniel J. Coster**, San Francisco, CA (US); **Daniele De Iuliis**, San Francisco, CA (US); **Evans Hankey**, San Francisco, CA (US); **Richard P. Howarth**, San Francisco, CA (US); **Jonathan P. Ive**, San Francisco, CA (US); **Steve Jobs**, Palo Alto, CA (US); **Duncan Robert Kerr**, San Francisco, CA (US); **Shin Nishibori**, Portola Valley, CA (US); **Matthew Dean Rohrbach**, San Francisco, CA (US); **Peter Russell-Clarke**, San Francisco, CA (US); **Douglas B. Satzger**, Menlo Park, CA (US); **Christopher J. Stringer**, Woodside, CA (US); **Eugene Antony Whang**, San Francisco, CA (US); **Rico Zorkendorfer**, San Francisco, CA (US)

(73) Assignee: **Apple Inc.**, Cupertino, CA (US)

(**) Term: **14 Years**

(21) Appl. No.: **29/337,522**

(22) Filed: **May 22, 2009**

Related U.S. Application Data

(62) Division of application No. 29/326,082, filed on Oct. 10, 2008.

(51) **LOC (9) Cl.** **14-02**

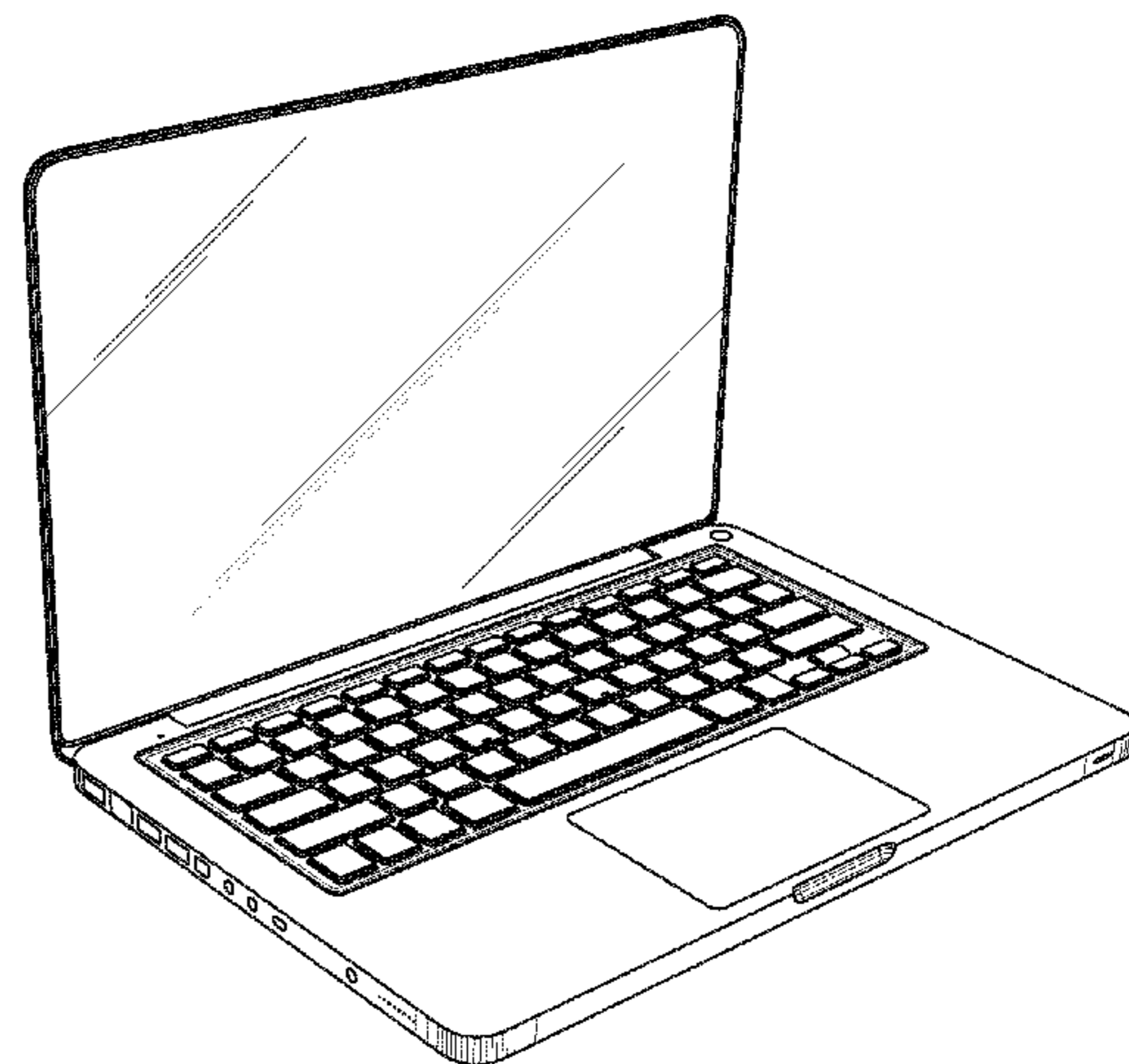
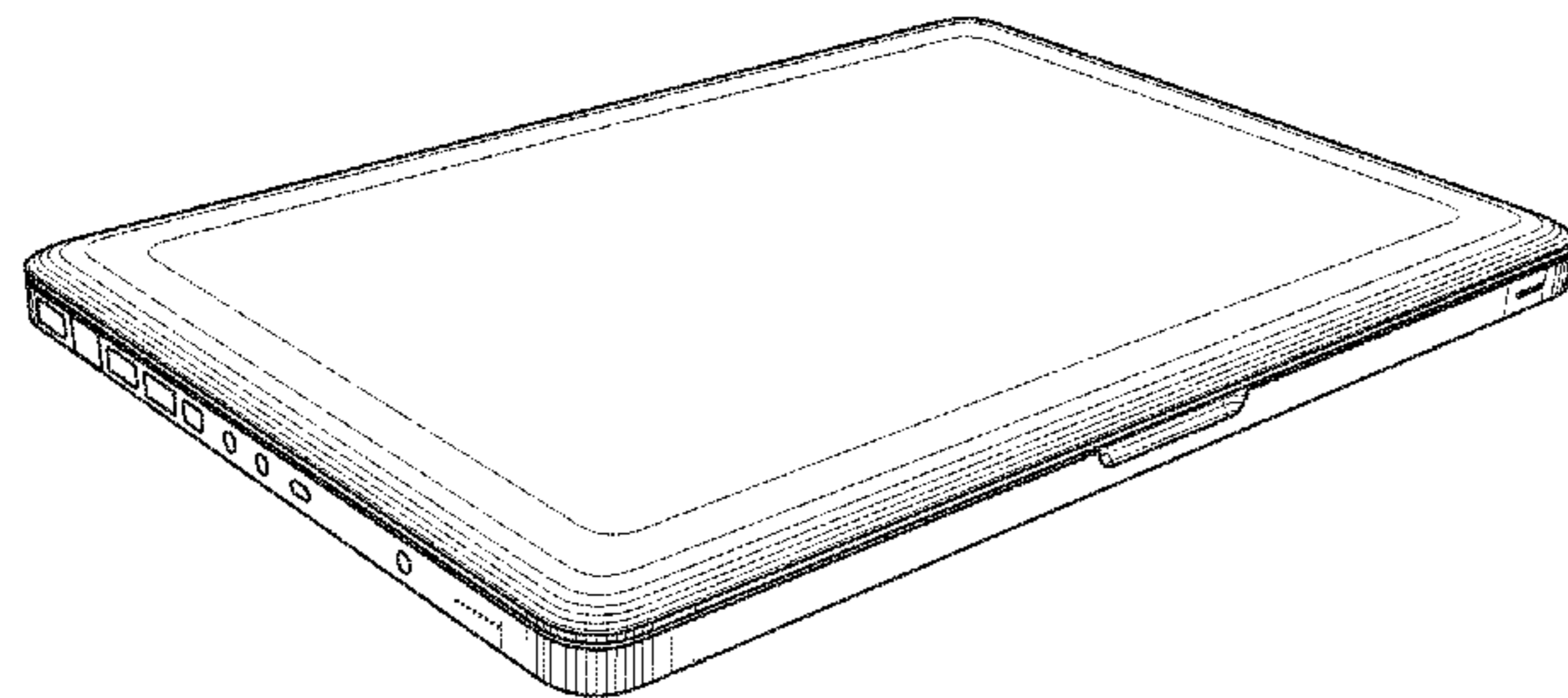
(52) **U.S. Cl.** **D14/315**

(58) **Field of Classification Search** D14/315-327; D18/1, 2, 7, 11; 235/145 A, 145 R; 341/22, 341/23; 345/156, 157, 168, 169, 173; 361/680-686, 361/679.27, 679.09; 348/373; 715/783
See application file for complete search history.

(56) **References Cited**

U.S. PATENT DOCUMENTS

6,067,224 A	5/2000	Nobuchi	
D431,821 S	10/2000	Mizuno	
D463,797 S	10/2002	Andre et al.	
6,519,139 B2 *	2/2003	Kambayashi 361/679.09
D491,177 S	6/2004	Andre et al.	
D493,785 S	8/2004	Andre et al.	
D504,889 S	5/2005	Andre et al.	
D517,063 S	3/2006	Nakajima et al.	
D523,428 S *	6/2006	Ozias et al. D14/315
D523,429 S	6/2006	Lin	
D524,306 S	7/2006	Yun et al.	
D526,999 S	8/2006	Tago	
D529,907 S *	10/2006	Dong D14/315
D533,550 S	12/2006	Yamada	
D535,652 S *	1/2007	Lee et al. D14/315
D539,796 S *	4/2007	Zhang et al. D14/318
D558,752 S	1/2008	Andre et al.	
D558,753 S	1/2008	Andre et al.	
D559,247 S *	1/2008	Kawase D14/318
D571,364 S	6/2008	Andre et al.	
D572,246 S	7/2008	Andre et al.	
D572,247 S	7/2008	Andre et al.	
D574,378 S	8/2008	Andre et al.	
D583,373 S *	12/2008	Chen D14/318
D587,701 S *	3/2009	Yoon D14/318
D589,508 S *	3/2009	Fujiwara et al. D14/318
2005/0018396 A1	1/2005	Nakajima et al.	
2005/0041378 A1	2/2005	Hamada et al.	



OTHER PUBLICATIONS

Photographs of Sony Vaio PCG-4G1L, available at least as early as May 8, 2006.

Apple MacBook Air, available Jan. 15, 2008, http://images.apple.com/macbookair/images/design_gal01_20080115.jpg.

Apple MacBook Air, available Jan. 15, 2008, http://images.apple.com/macbookair/images/design_gal02_20080115.jpg.

Apple MacBook Air, available Jan. 15, 2008, http://images.apple.com/macbookair/images/design_gal03_20080115.jpg.

Apple MacBook Air, available Jan. 15, 2008, http://images.apple.com/macbookair/images/design_gal04_20080115.jpg.

Apple MacBook Air, available Jan. 15, 2008, http://images.apple.com/macbookair/images/design_thinair20080115.jpg.

Apple MacBook Air, available Jan. 15, 2008, http://images.apple.com/macbookair/images/design_displayair20080115.jpg.

Apple MacBook Air, available Jan. 15, 2008, http://images.apple.com/macbookair/images/design_keyboardair20080115.jpg.

Apple MacBook Air, available Jan. 15, 2008, http://images.apple.com/macbookair/images/design_gal08_20080115.

* cited by examiner

Primary Examiner—Freda S Nunn

(74) Attorney, Agent, or Firm—Saidman DesignLaw Group

(57)

CLAIM

The ornamental design for a portable computer, as shown and described.

DESCRIPTION

FIG. 1 is a front, top perspective view of a first embodiment of a portable computer showing our new design;

FIG. 2 is front view thereof;

FIG. 3 is a rear view thereof;

FIG. 4 is a left side view thereof;

FIG. 5 is a right side view thereof;

FIG. 6 is a top view thereof;

FIG. 7 is a bottom view thereof;

FIG. 8 is a bottom front perspective view thereof;

FIG. 9 is a second bottom front perspective view thereof with a latch in an open position;

FIG. 10 is an additional front, top perspective view thereof, with the portable computer shown in an open position;

FIG. 11 is an additional front view thereof;

FIG. 12 is an additional left rear view thereof;

FIG. 13 is an additional left side view thereof;

FIG. 14 is an additional right side view thereof;

FIG. 15 is an additional top view thereof;

FIG. 16 is an additional bottom view thereof;

FIG. 17 is an additional front, bottom perspective view thereof;

FIG. 18 is a front, top perspective view of a second embodiment showing our new design;

FIG. 19 is front view thereof;

FIG. 20 is a rear view thereof;

FIG. 21 is a left side view thereof;

FIG. 22 is a right side view thereof;

FIG. 23 is a top view thereof;

FIG. 24 is a bottom view thereof;

FIG. 25 is a bottom, front perspective view thereof;

FIG. 26 is an additional front, top perspective view thereof, with the portable computer shown in an open position;

FIG. 27 is a front view thereof;

FIG. 28 is a left rear view thereof;

FIG. 29 is a left side view thereof;

FIG. 30 is a right side view thereof;

FIG. 31 is a top view thereof;

FIG. 32 is a bottom view thereof;

FIG. 33 is a front, bottom perspective view thereof;

FIG. 34 is a front, top perspective view of a third embodiment showing our new design;

FIG. 35 is front view thereof;

FIG. 36 is a rear view thereof;

FIG. 37 is a left side view thereof;

FIG. 38 is a right side view thereof;

FIG. 39 is a top view thereof;

FIG. 40 is a bottom view thereof;

FIG. 41 is a bottom, front perspective view thereof;

FIG. 42 is an additional front, top perspective view thereof, with the portable computer shown in an open position;

FIG. 43 is a front view thereof;

FIG. 44 is a left rear view thereof;

FIG. 45 is a left side view thereof;

FIG. 46 is a right side view thereof;

FIG. 47 is a top view thereof;

FIG. 48 is an additional bottom view thereof; and,

FIG. 49 is an additional front, bottom perspective view thereof.

The claimed design is shown in relatively bold lines. The relatively thin shade lines show contour and not surface ornamentation. The parallel diagonal shade lines represent a translucent surface. The broken lines are environmental and form no part of the claimed design.

1 Claim, 40 Drawing Sheets

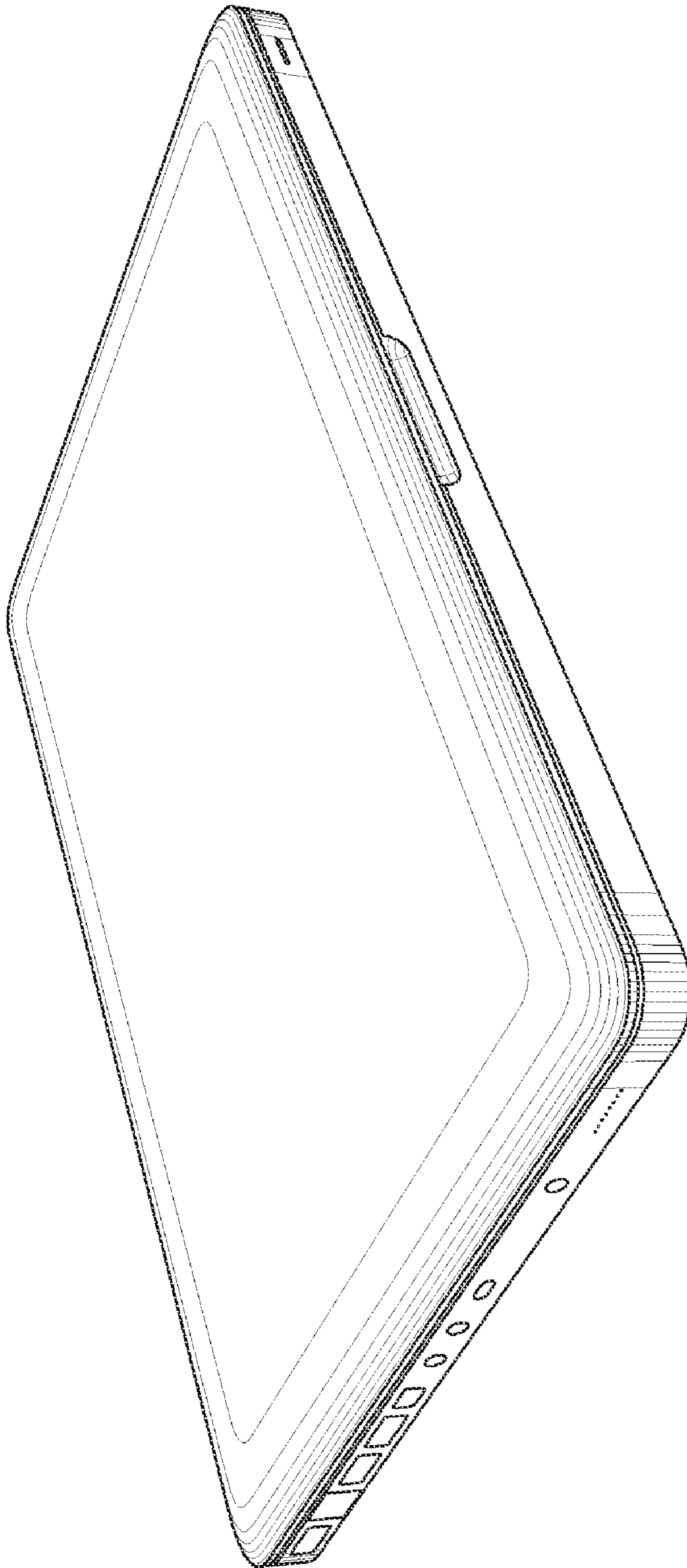


Fig. 1

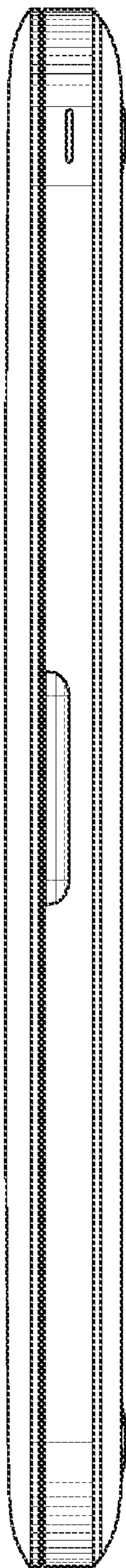


Fig. 2

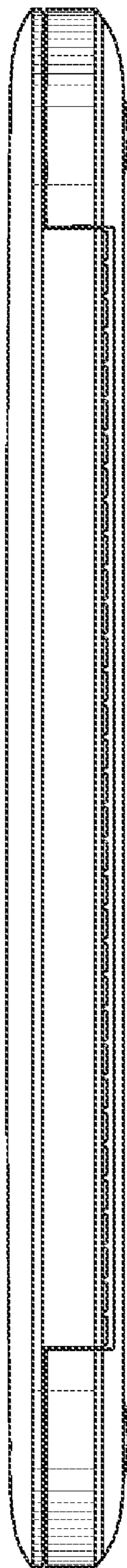


Fig. 3

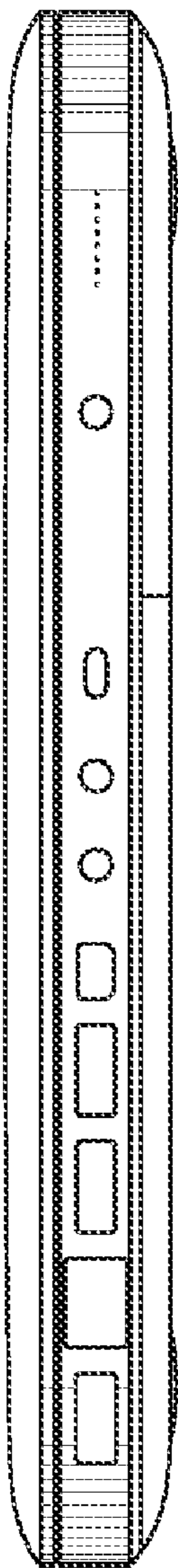


Fig. 4

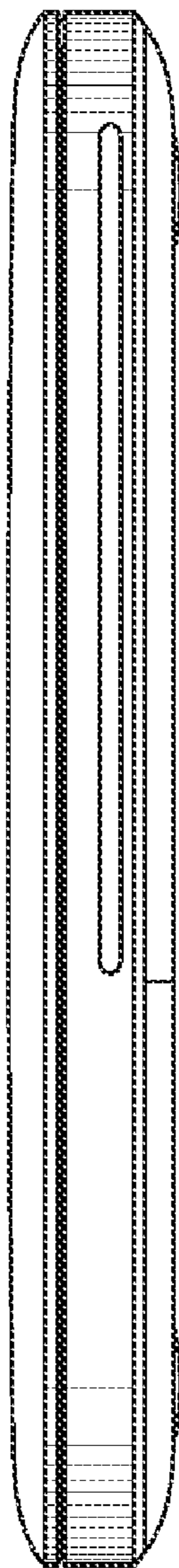


Fig. 5

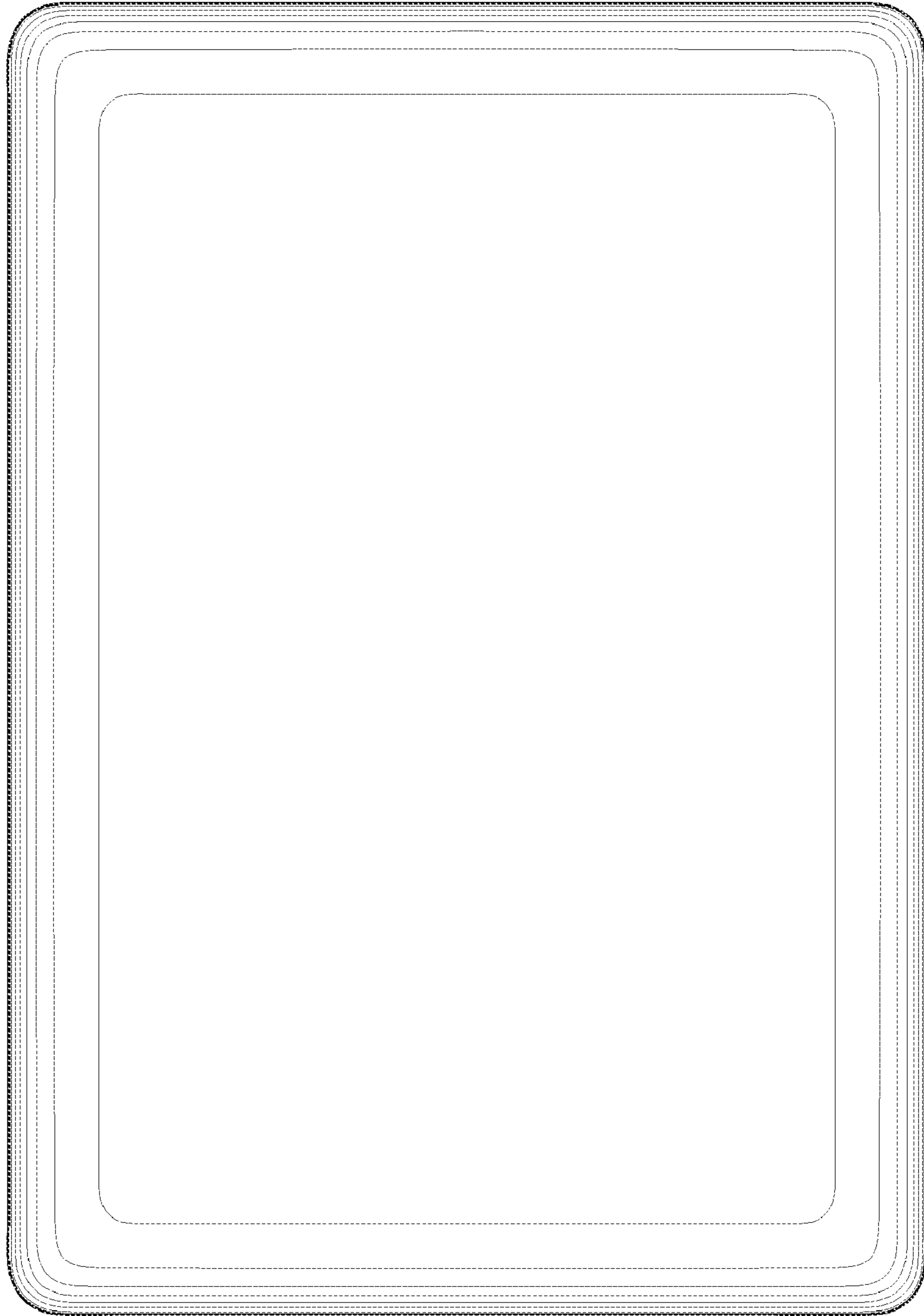


Fig. 6

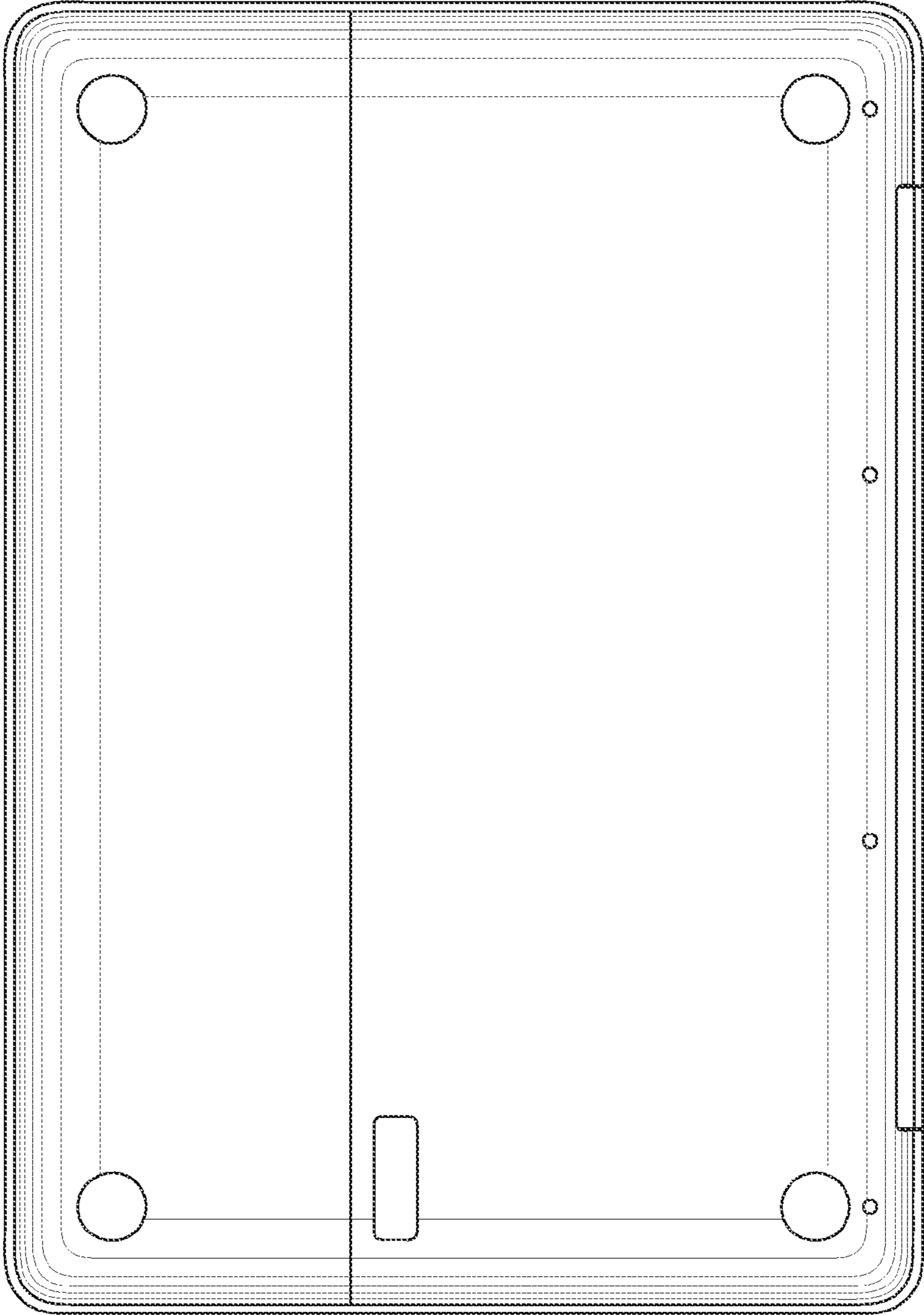


Fig. 7

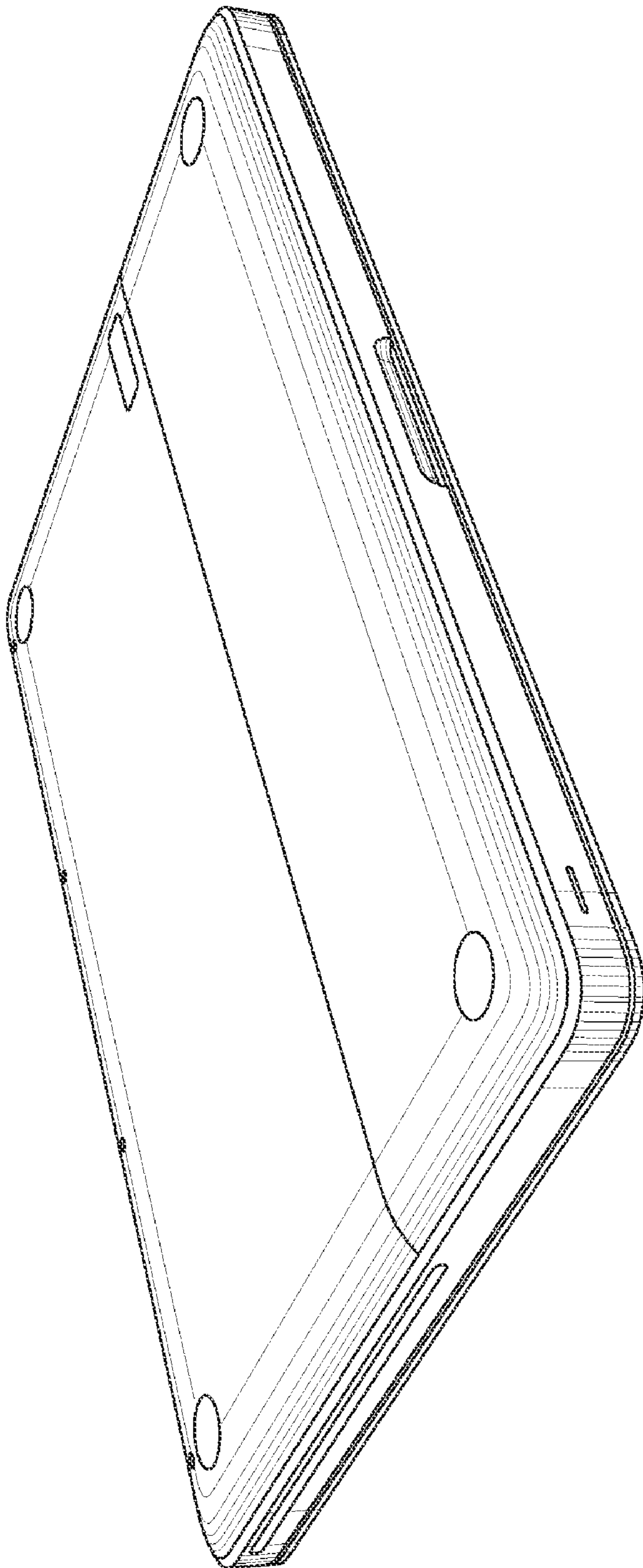


Fig. 8

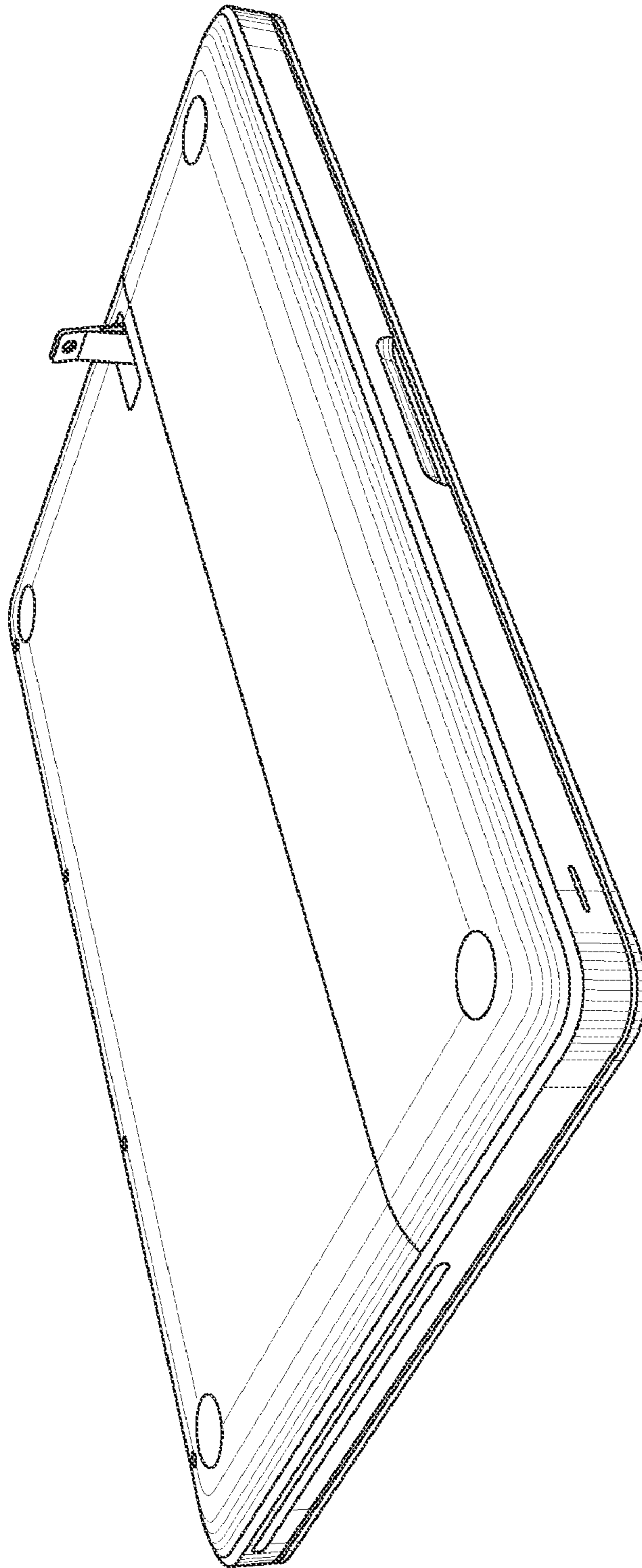


Fig. 9

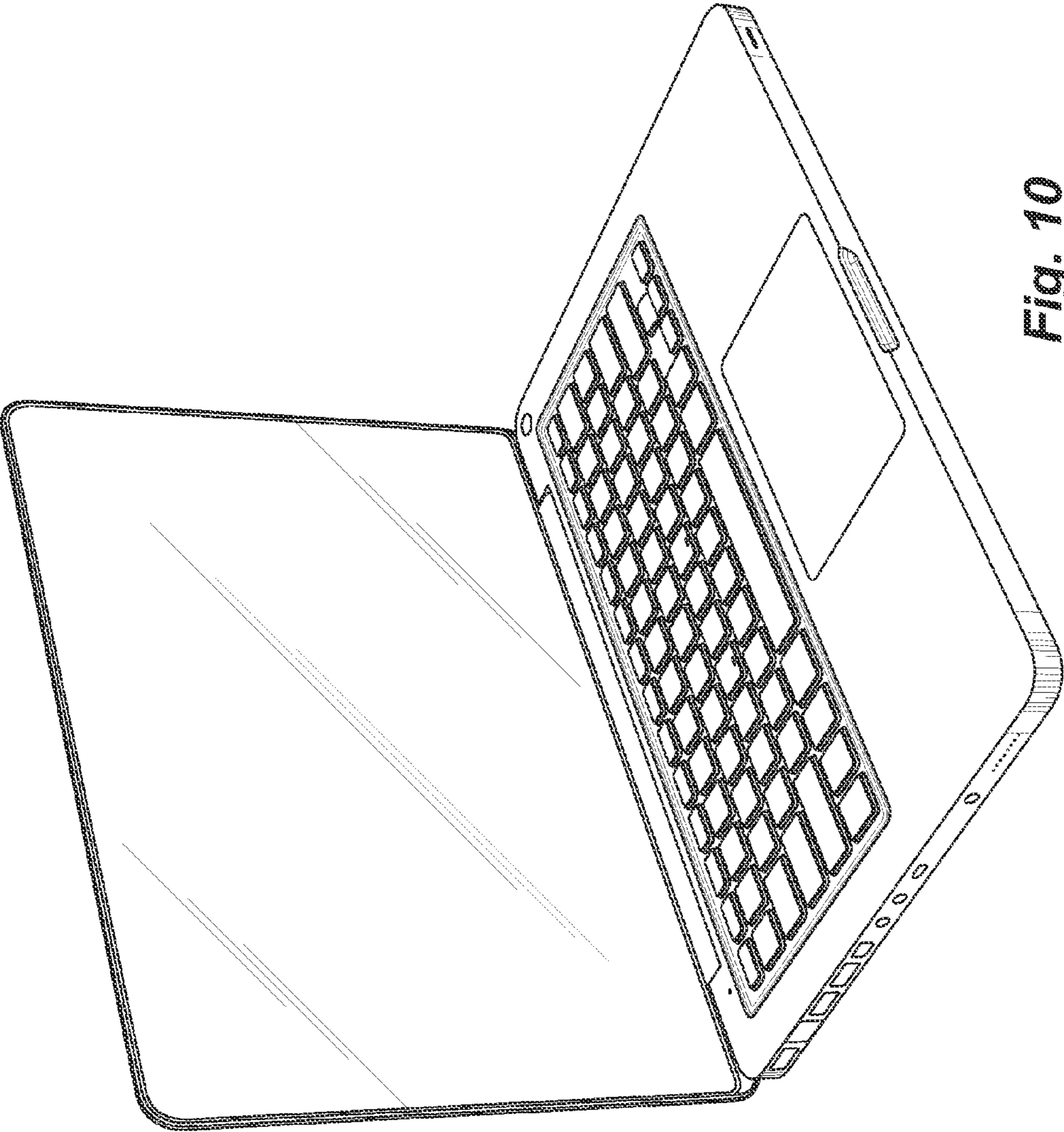


Fig. 10

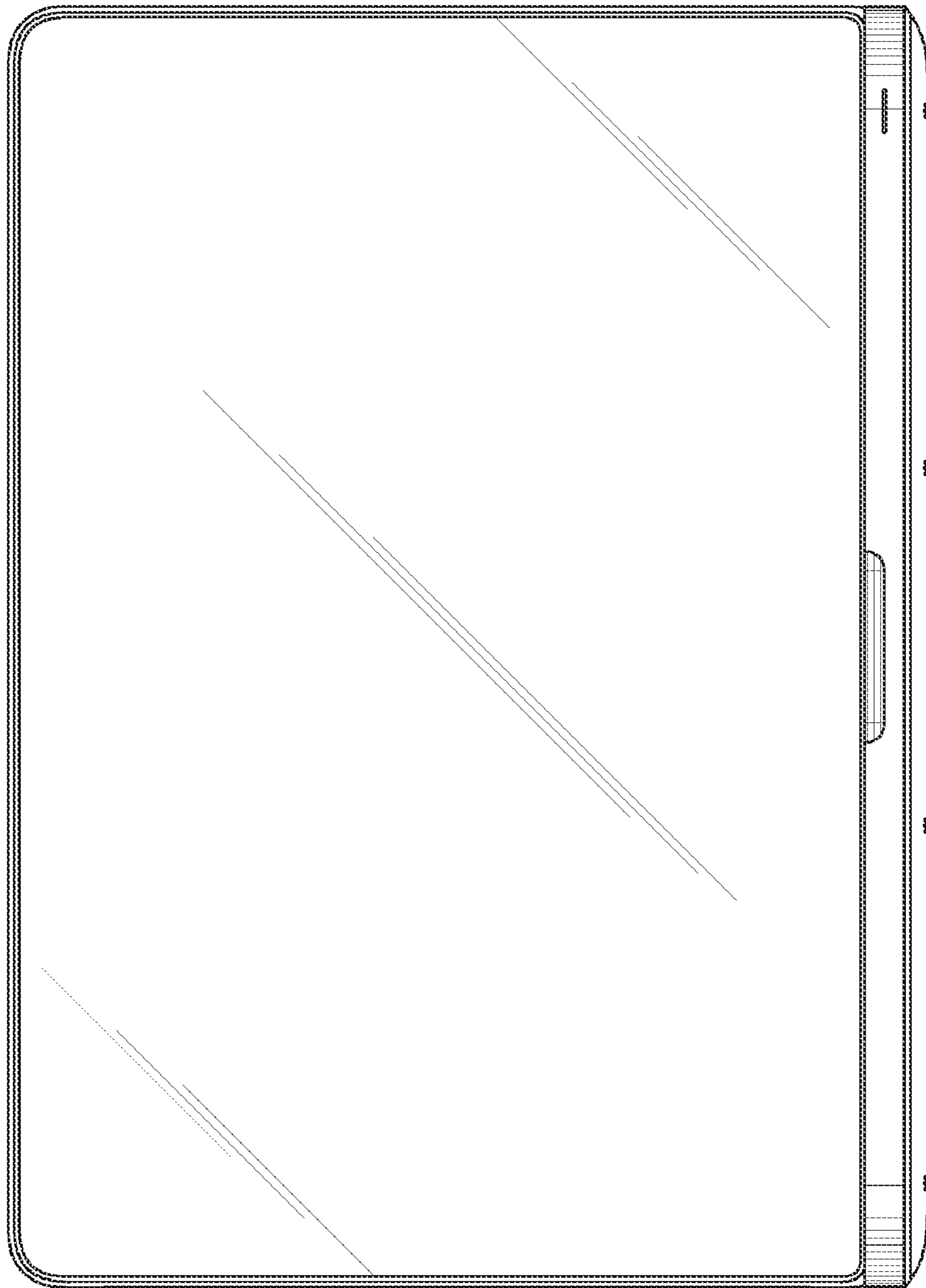


Fig. 11

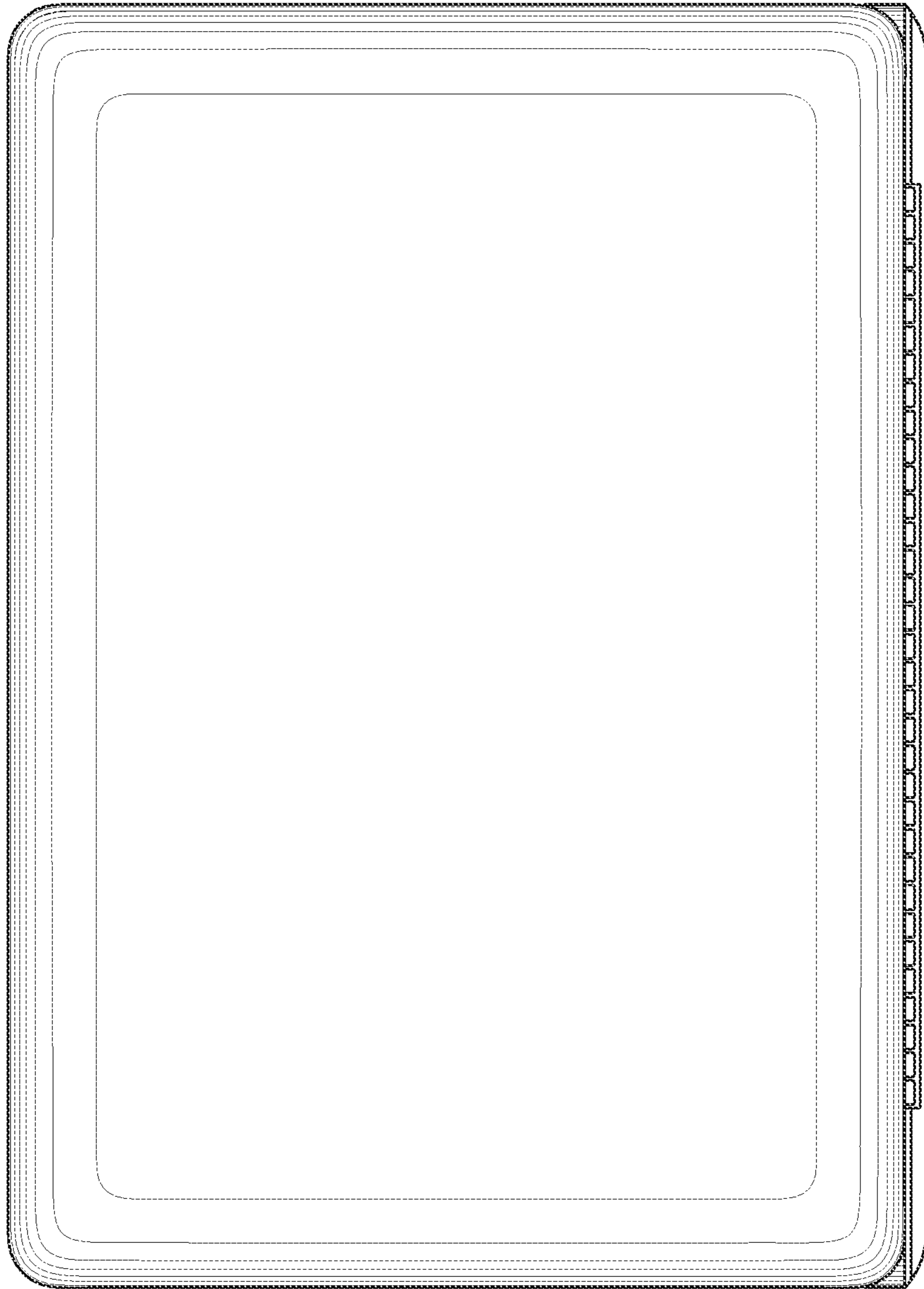


Fig. 12

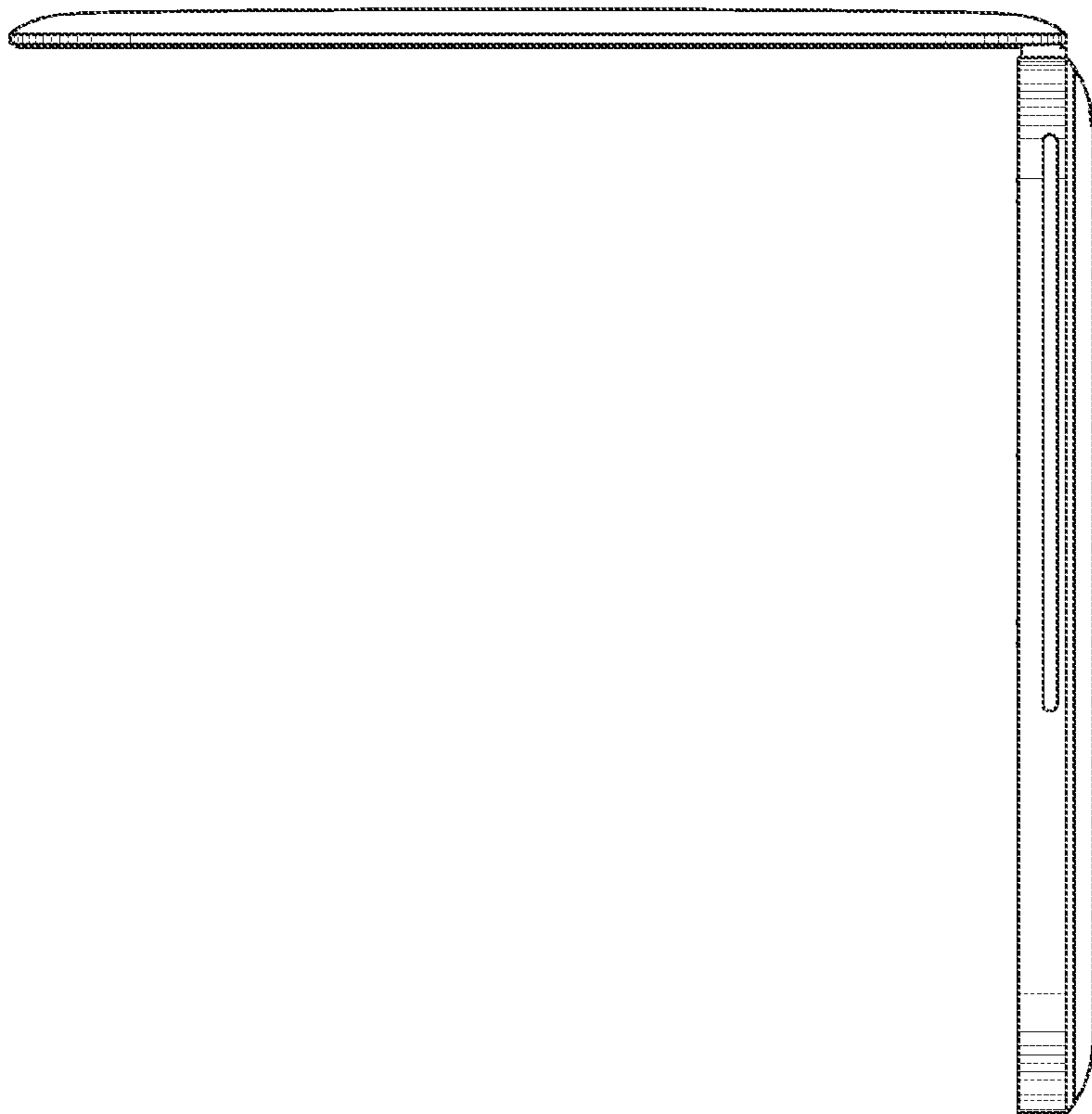


Fig. 14

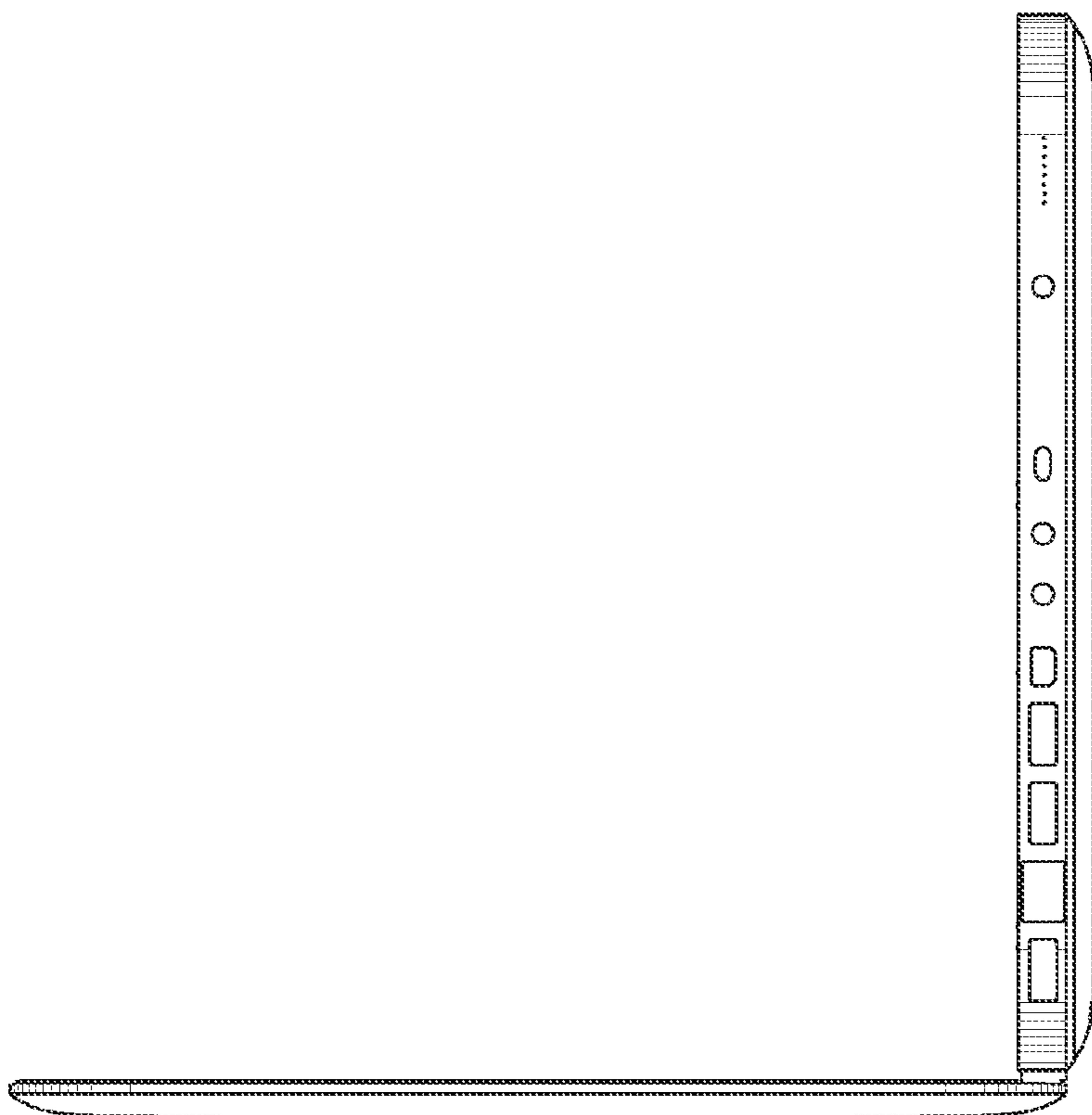


Fig. 13

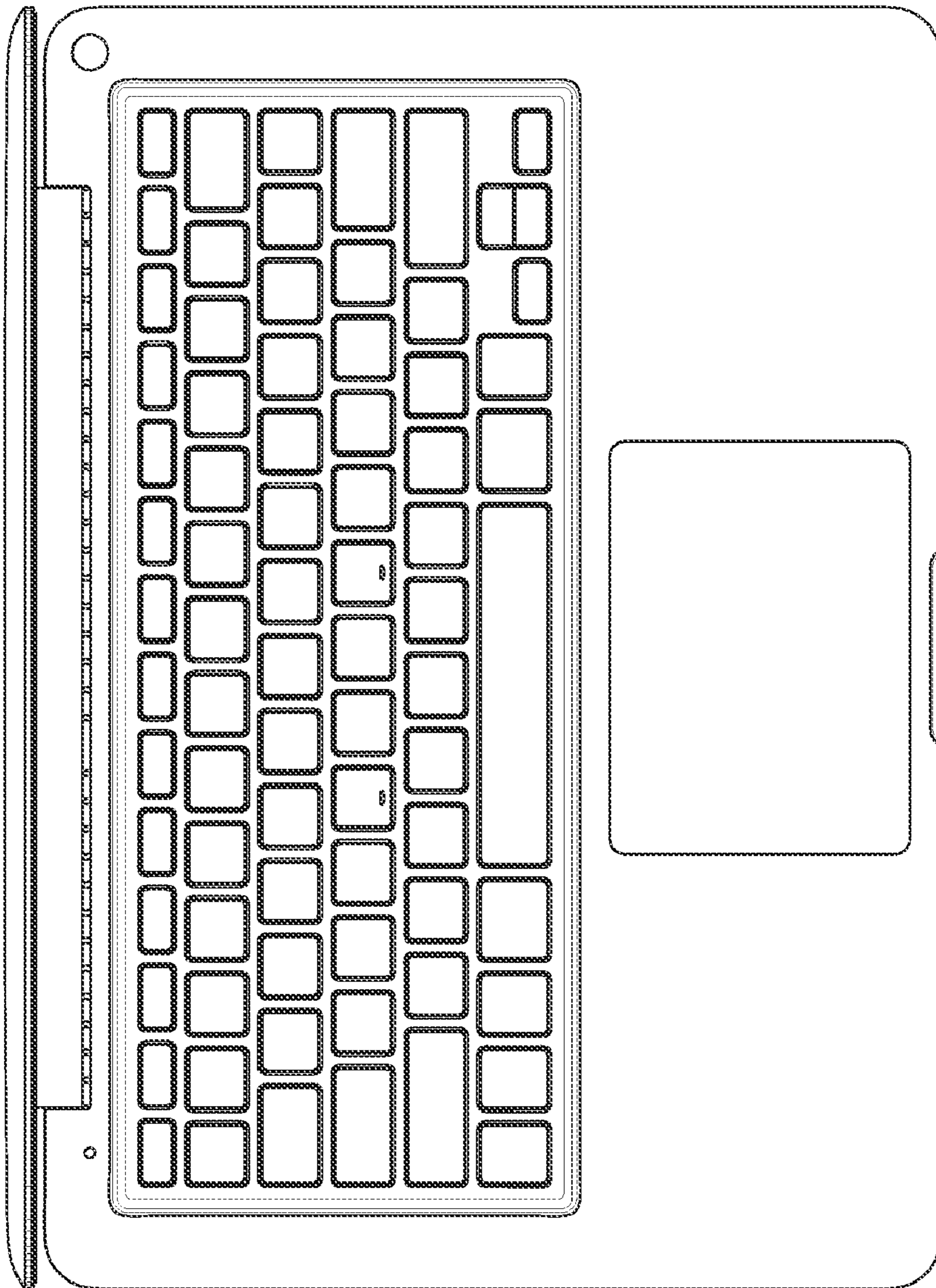


Fig. 15

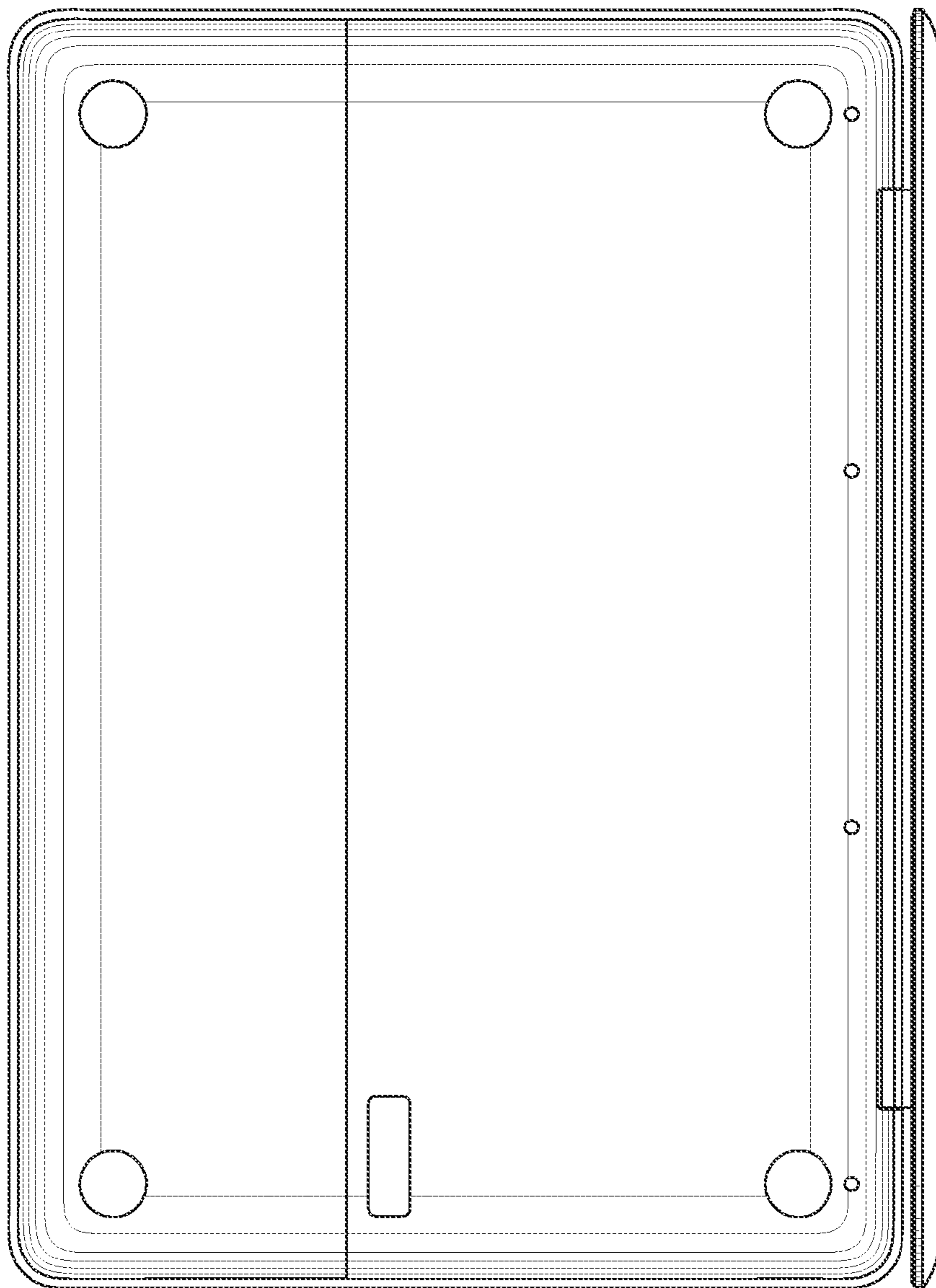


Fig. 16

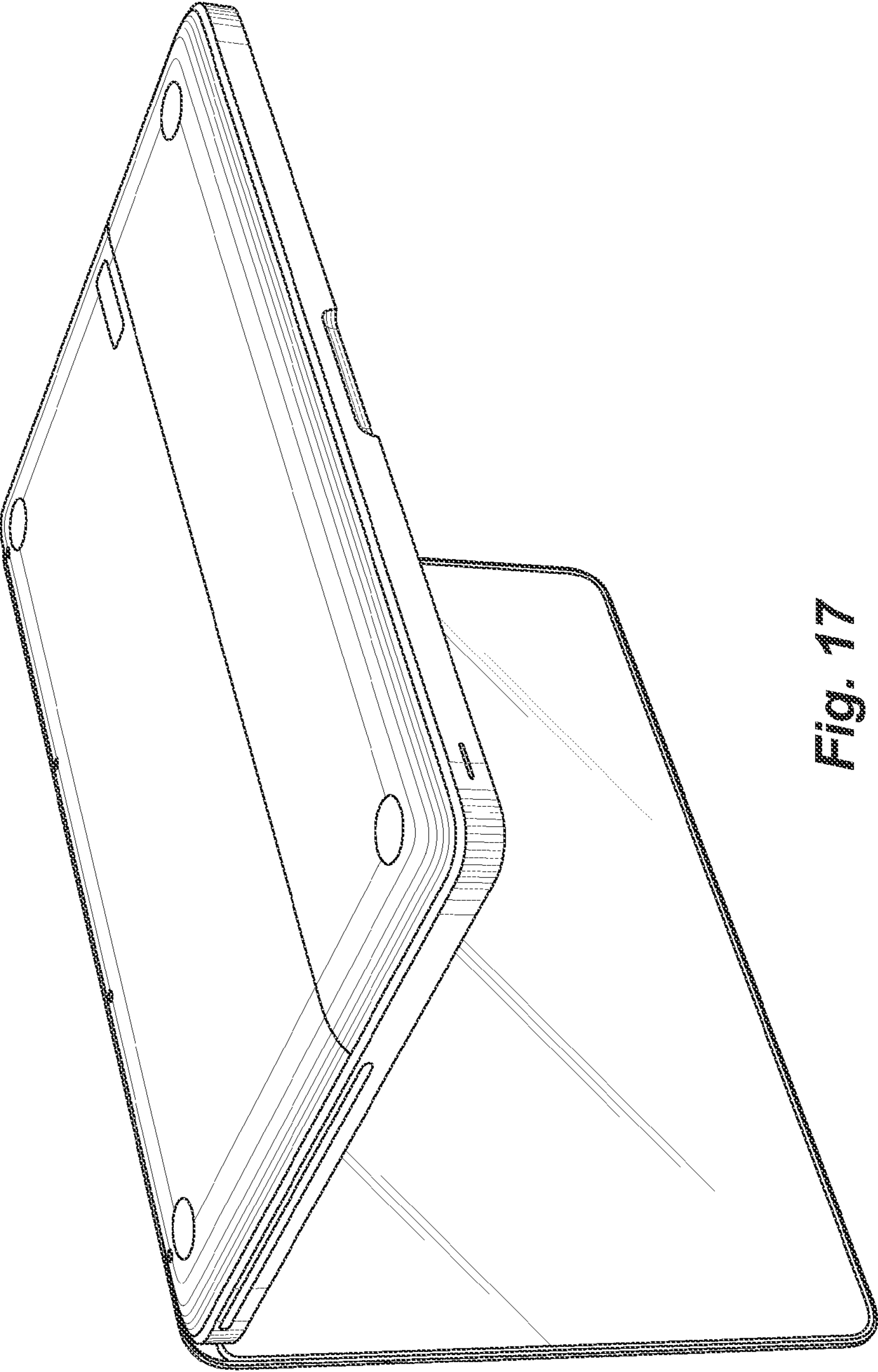


Fig. 17

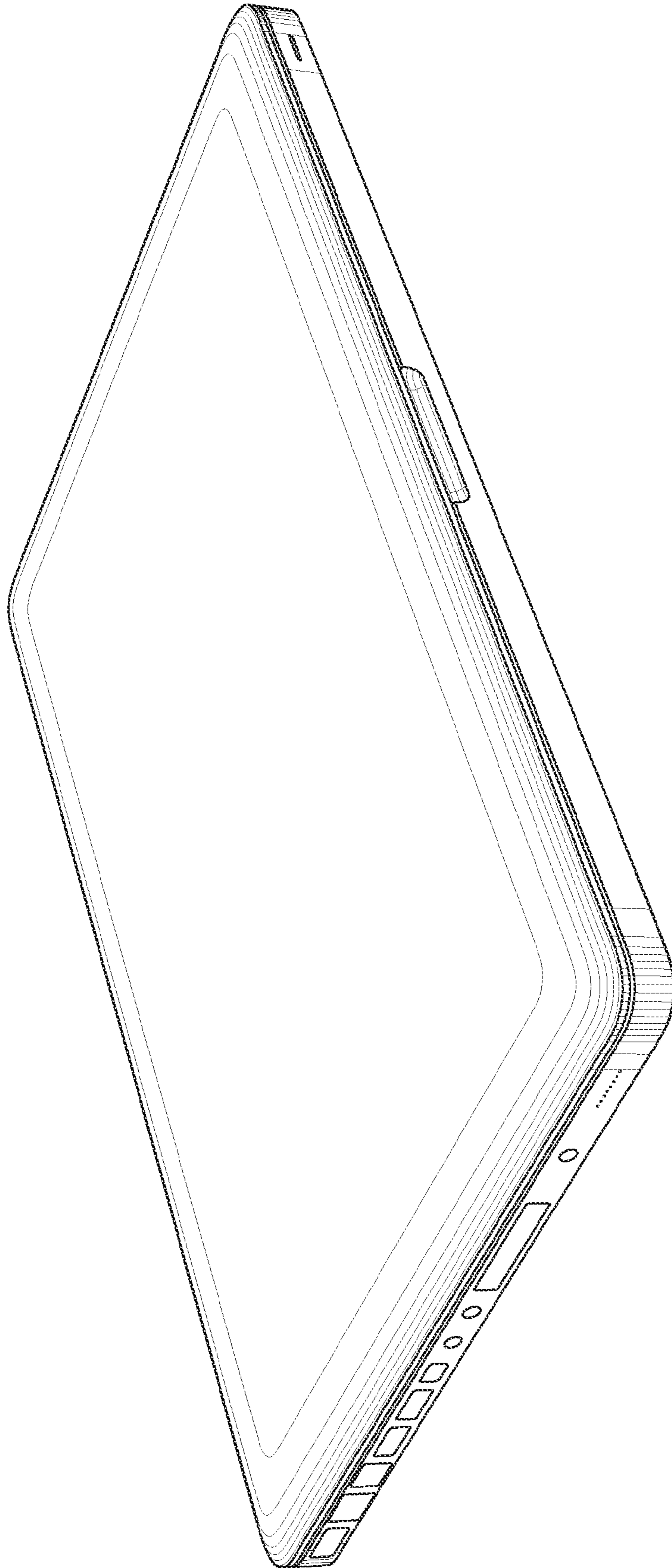


Fig. 18

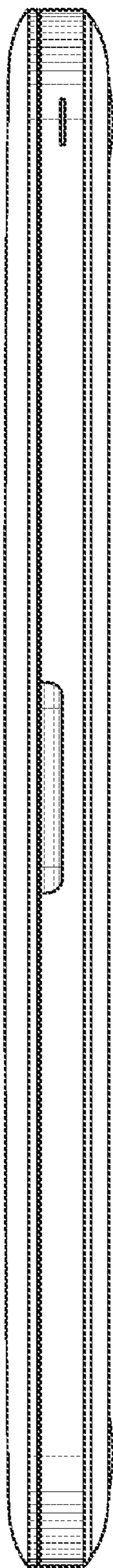


Fig. 19



Fig. 20

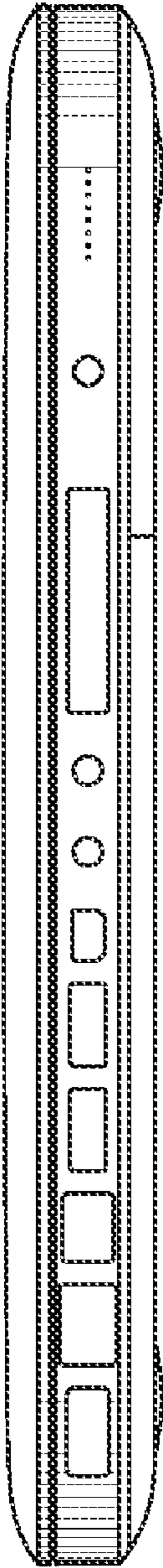


Fig. 21

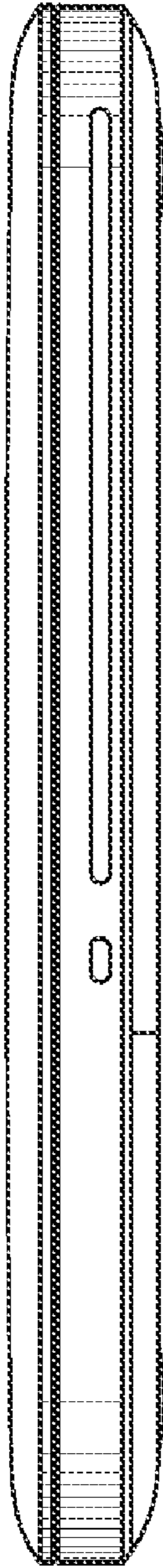


Fig. 22

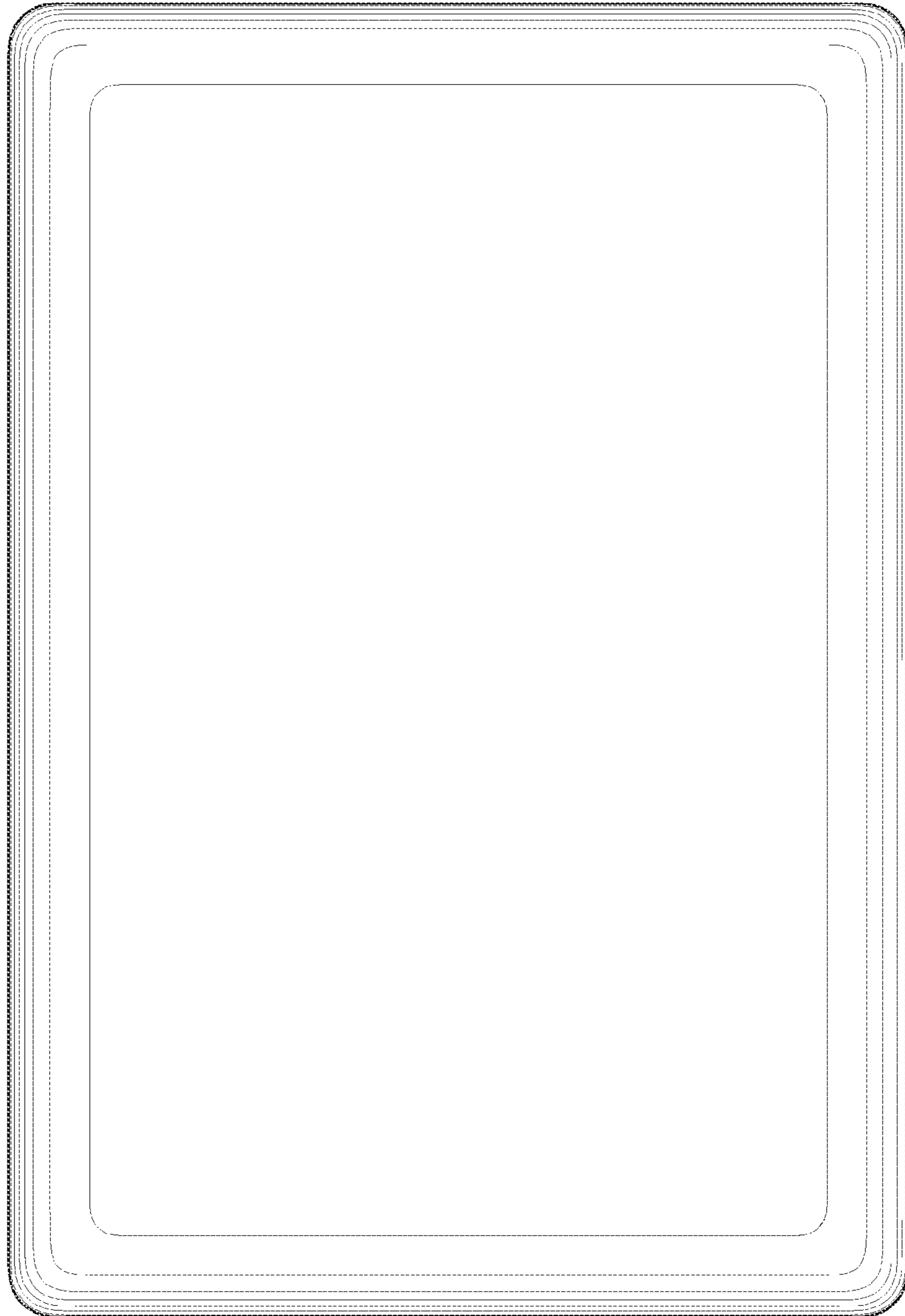


Fig. 23

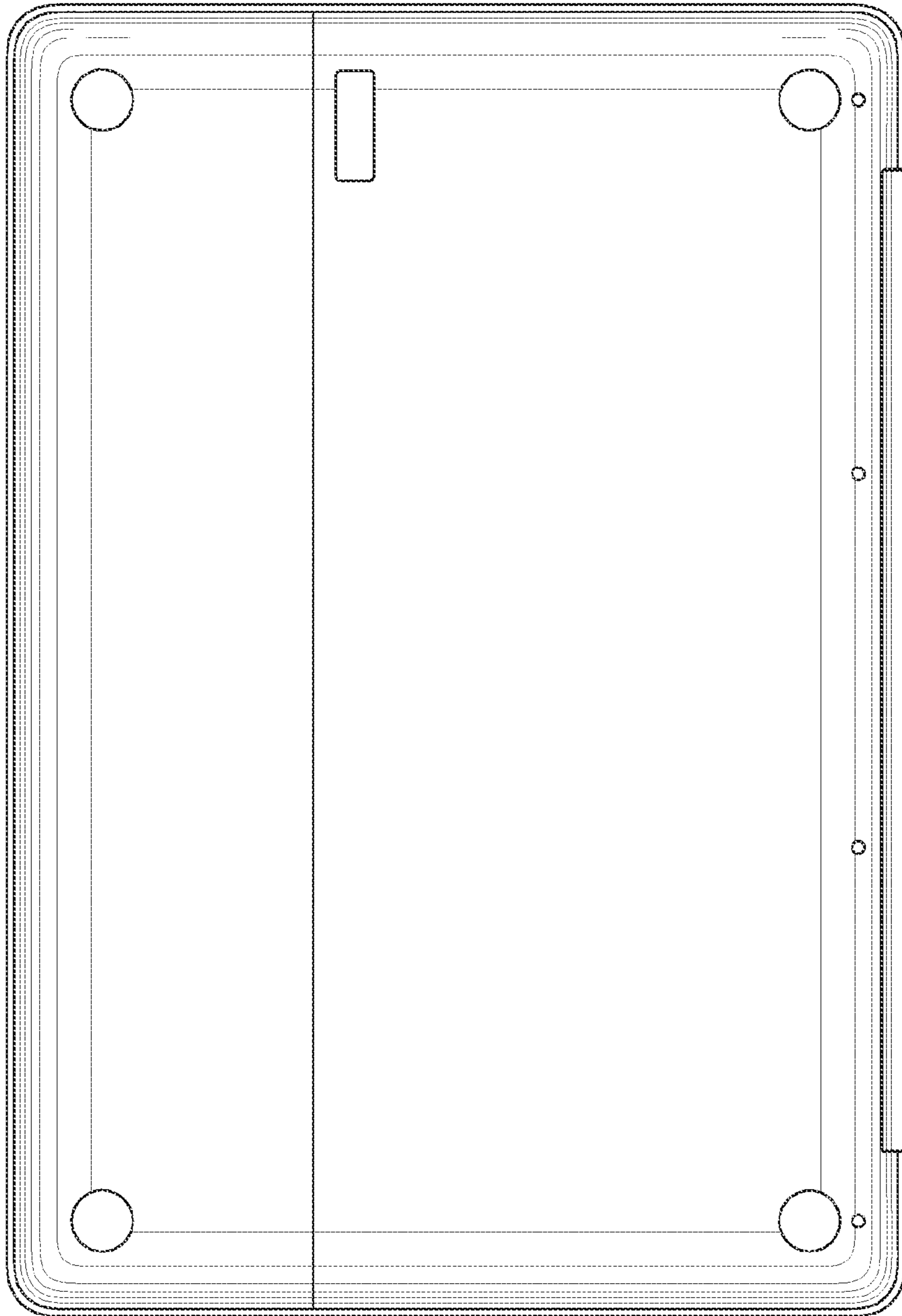


FIG. 24

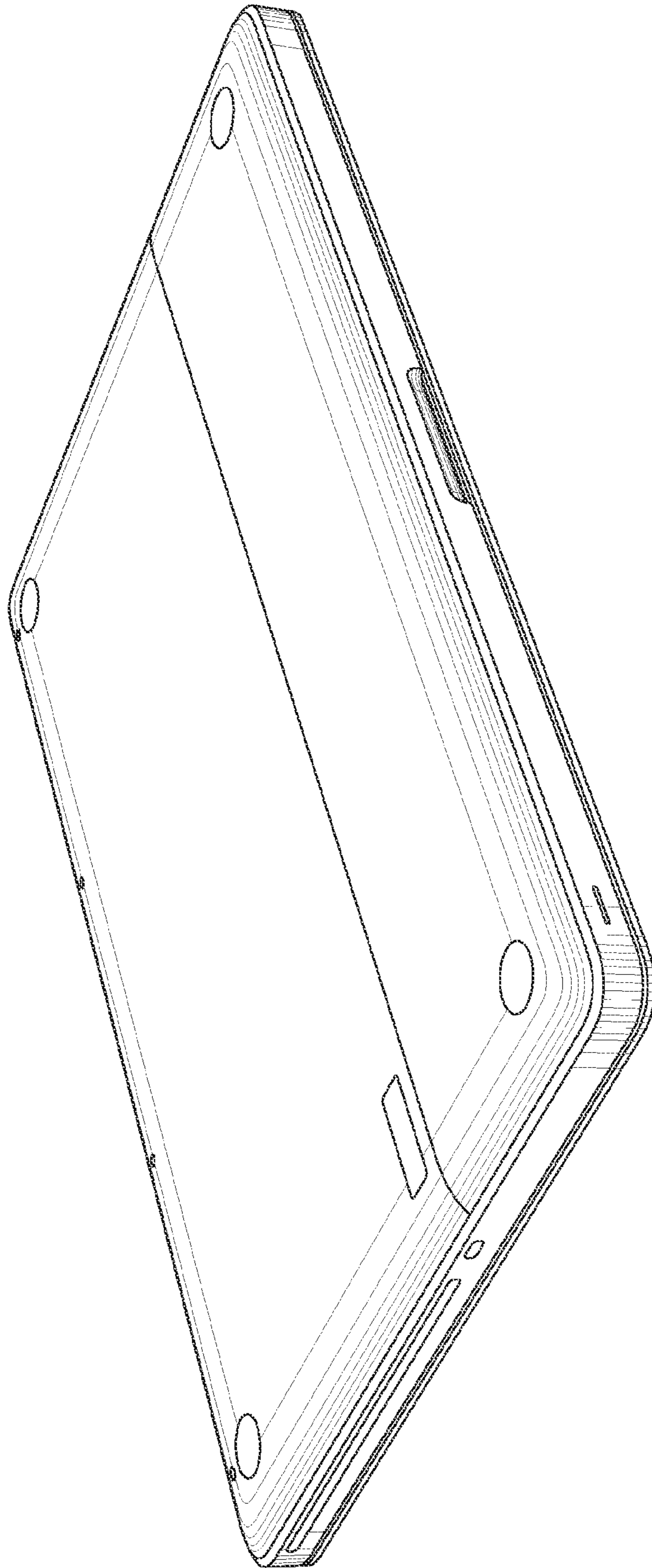


Fig. 25

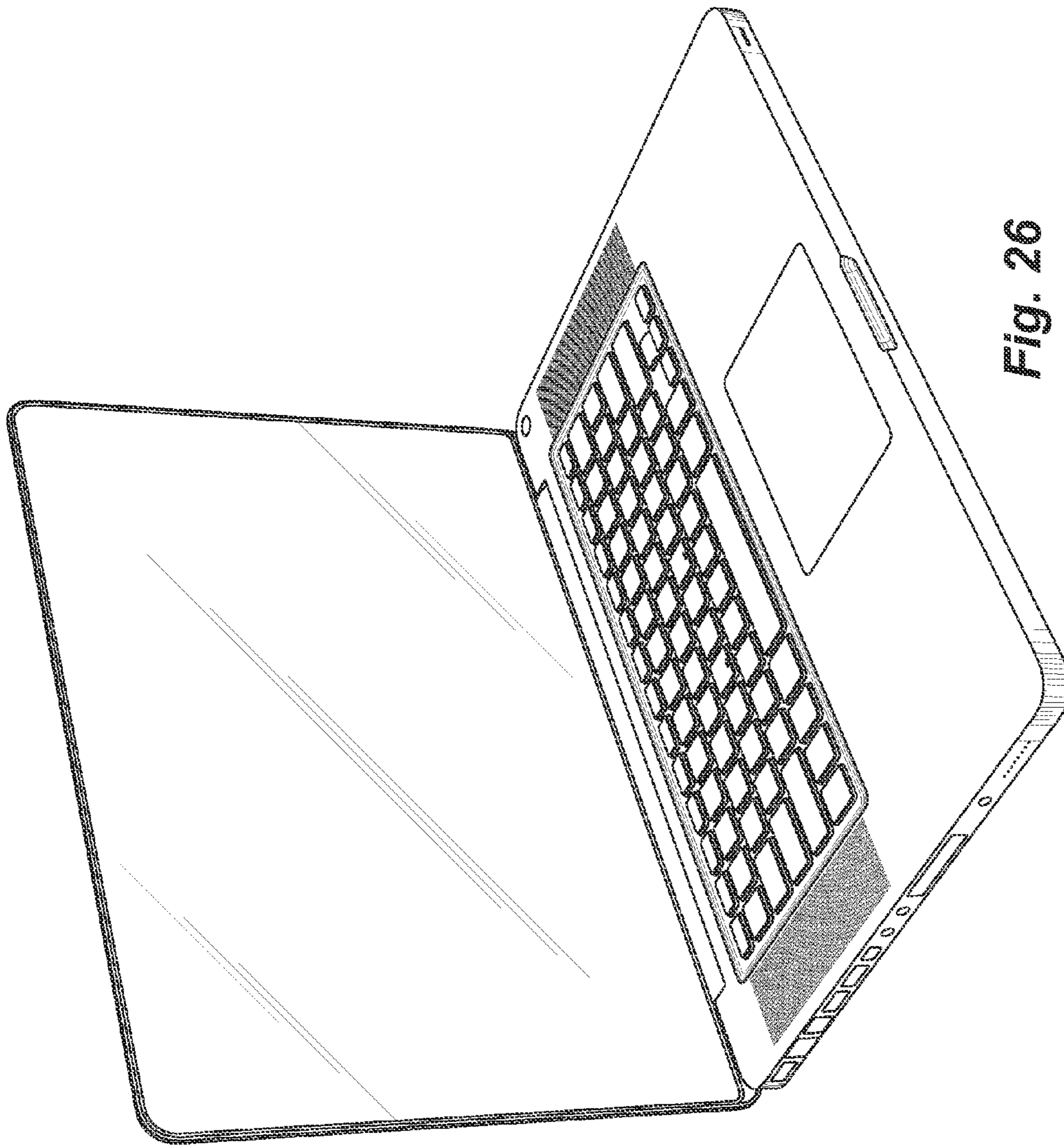


Fig. 26

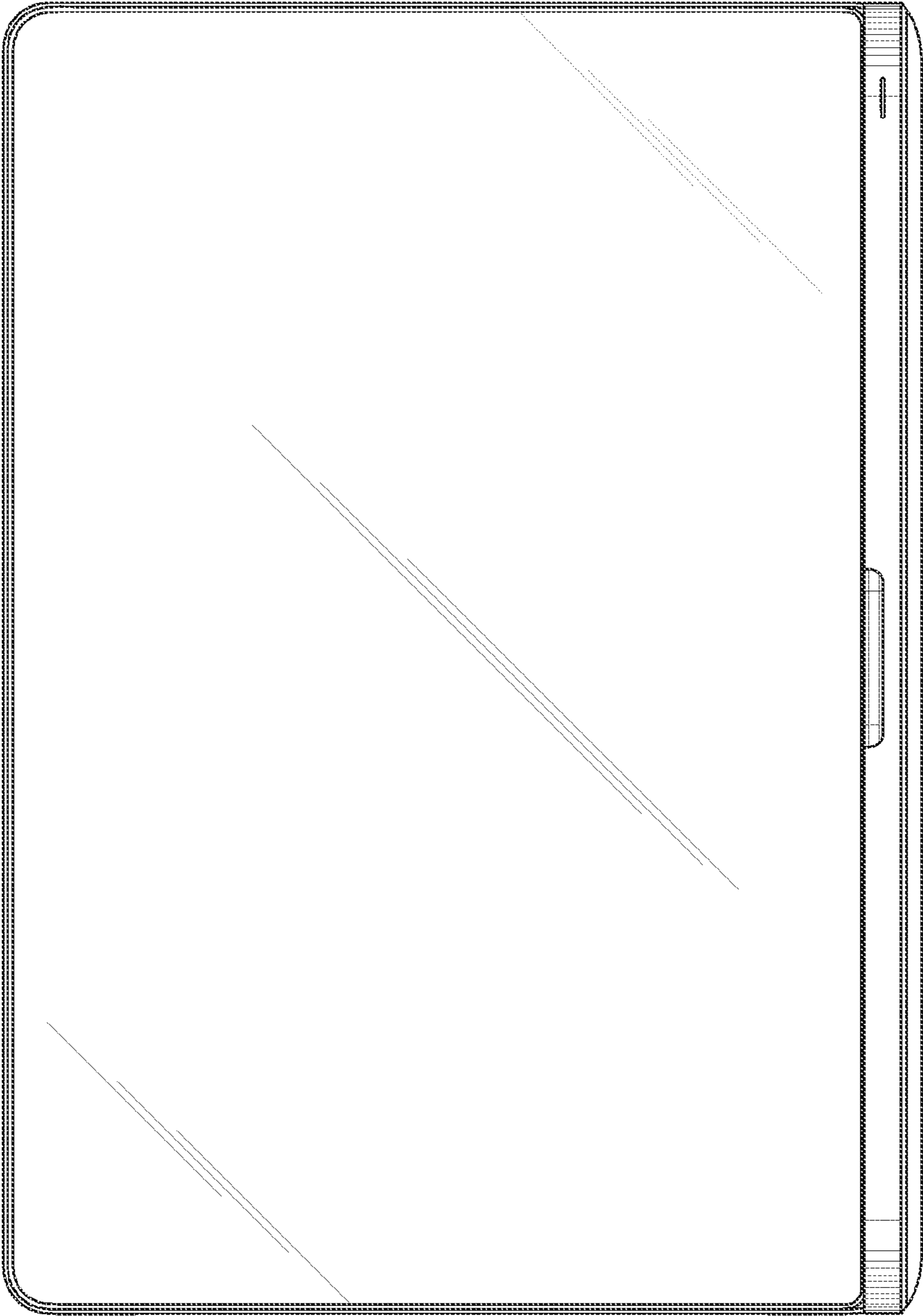


Fig. 27

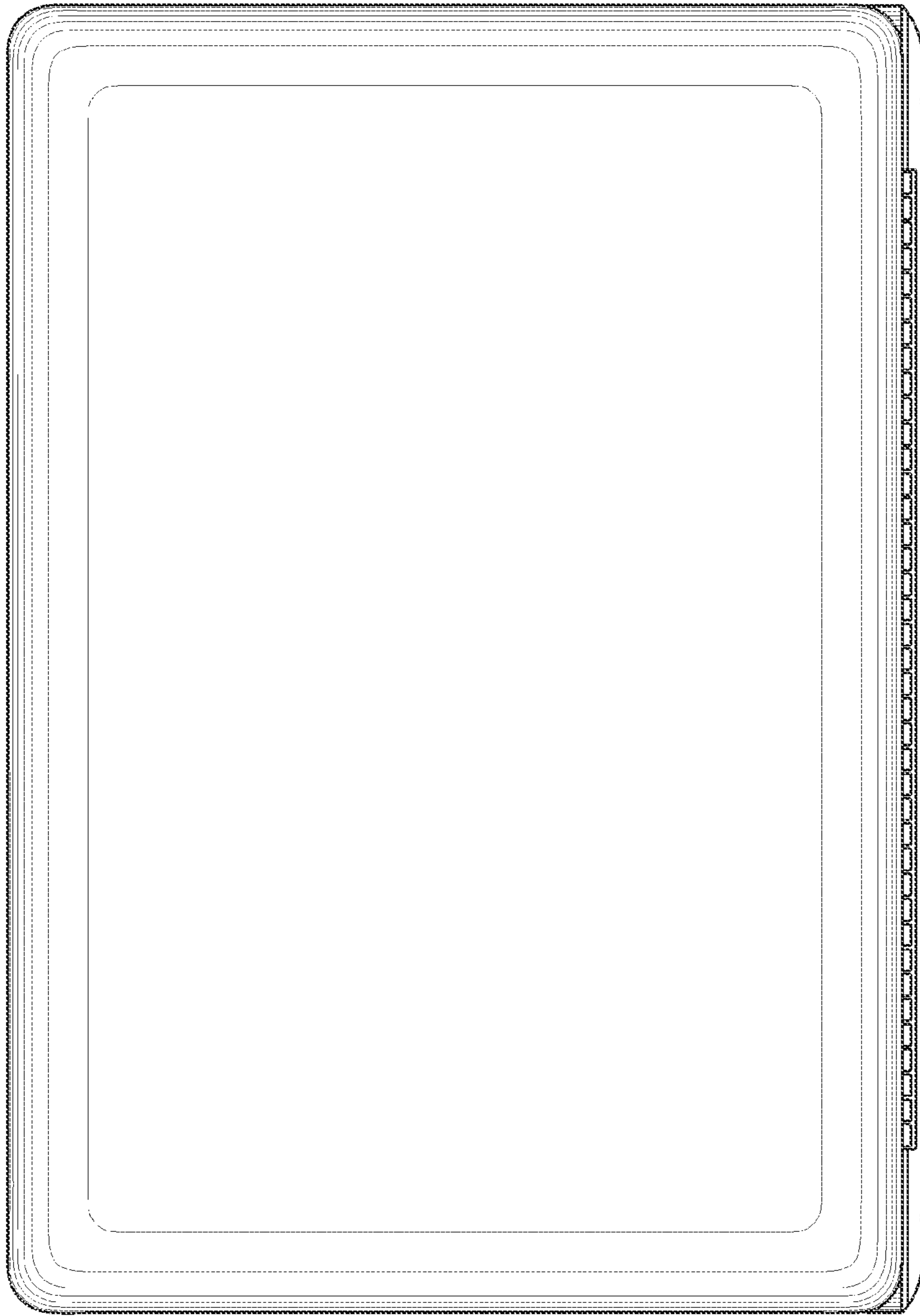


Fig. 28

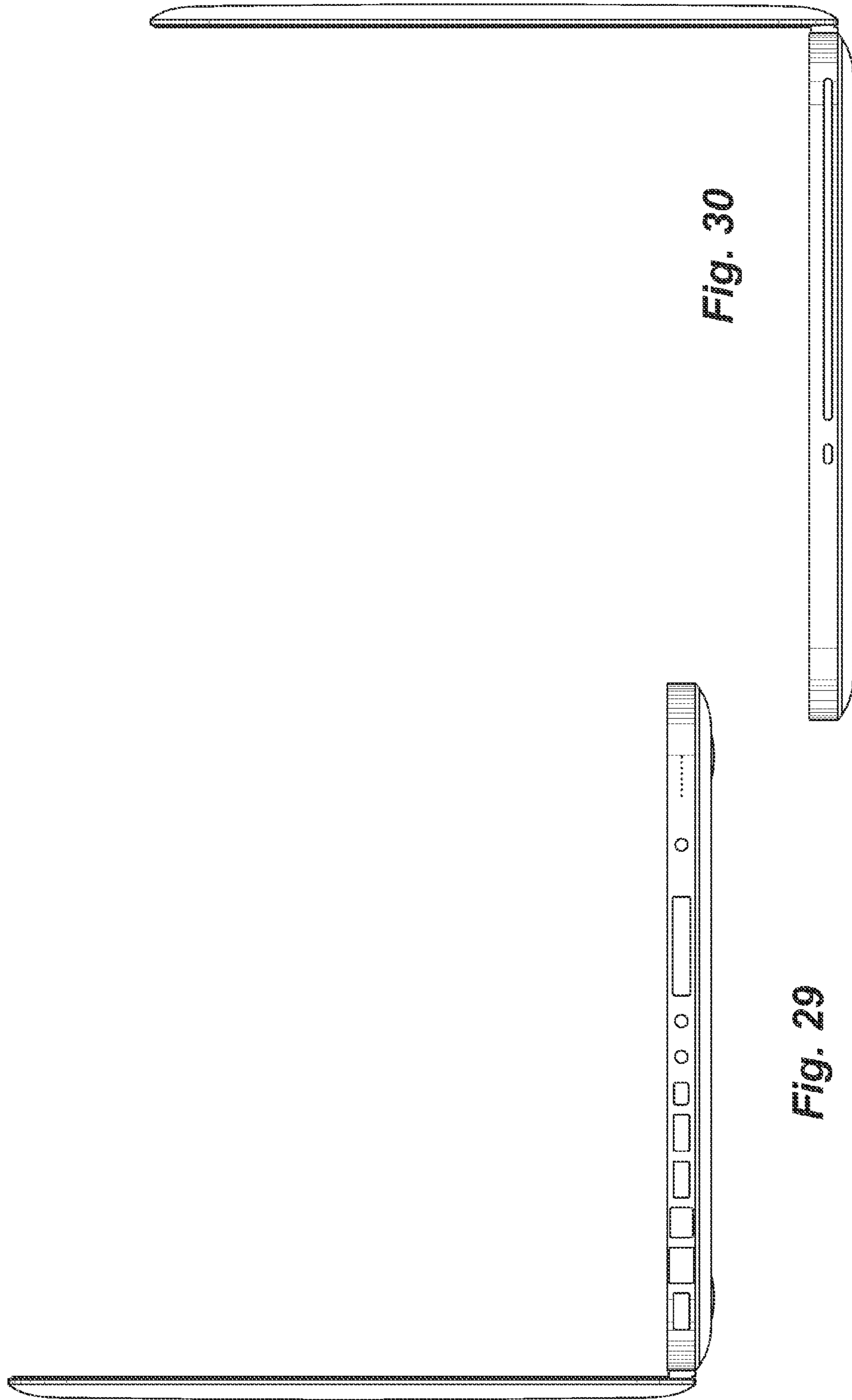


Fig. 30

Fig. 29

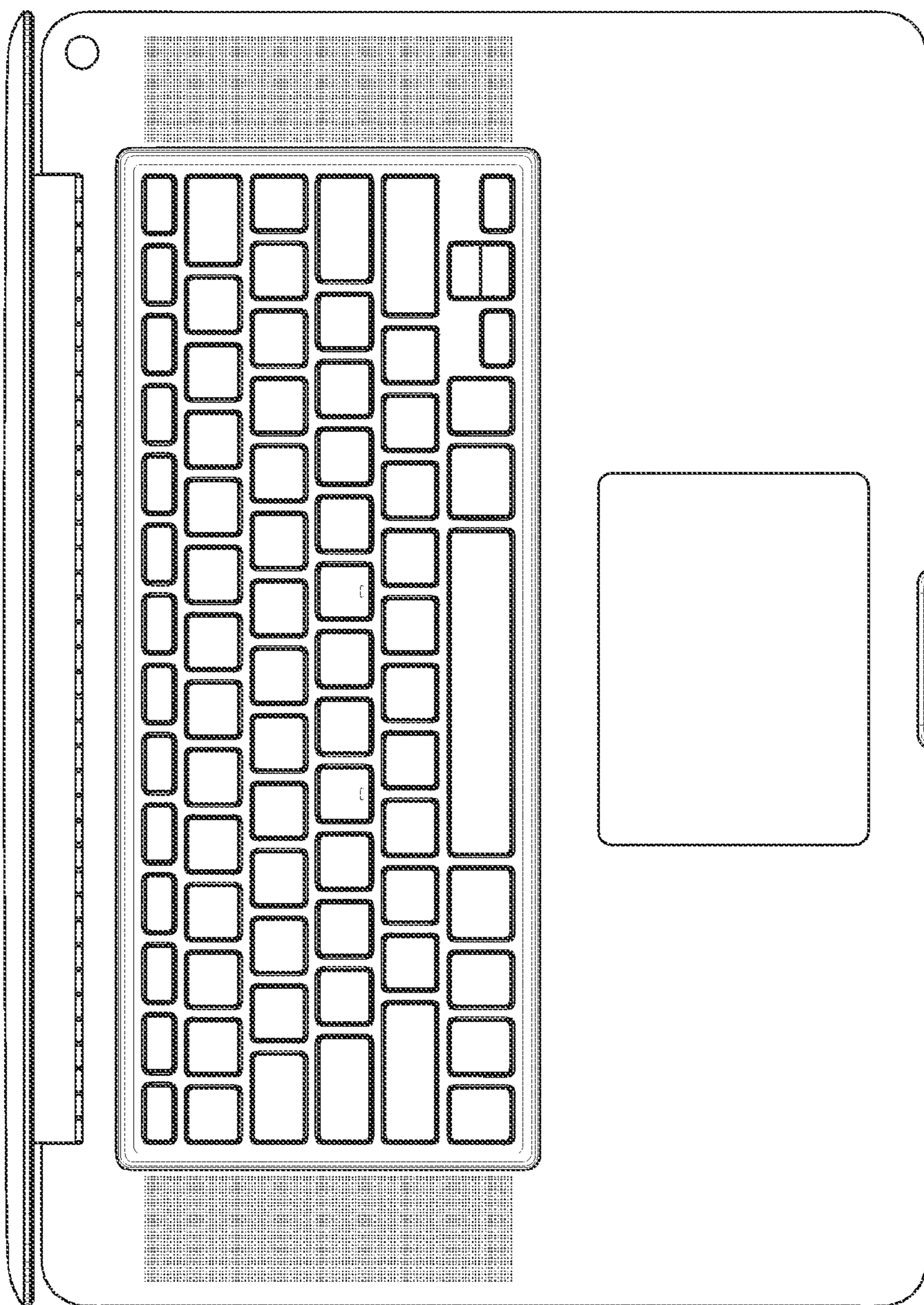


Fig. 31

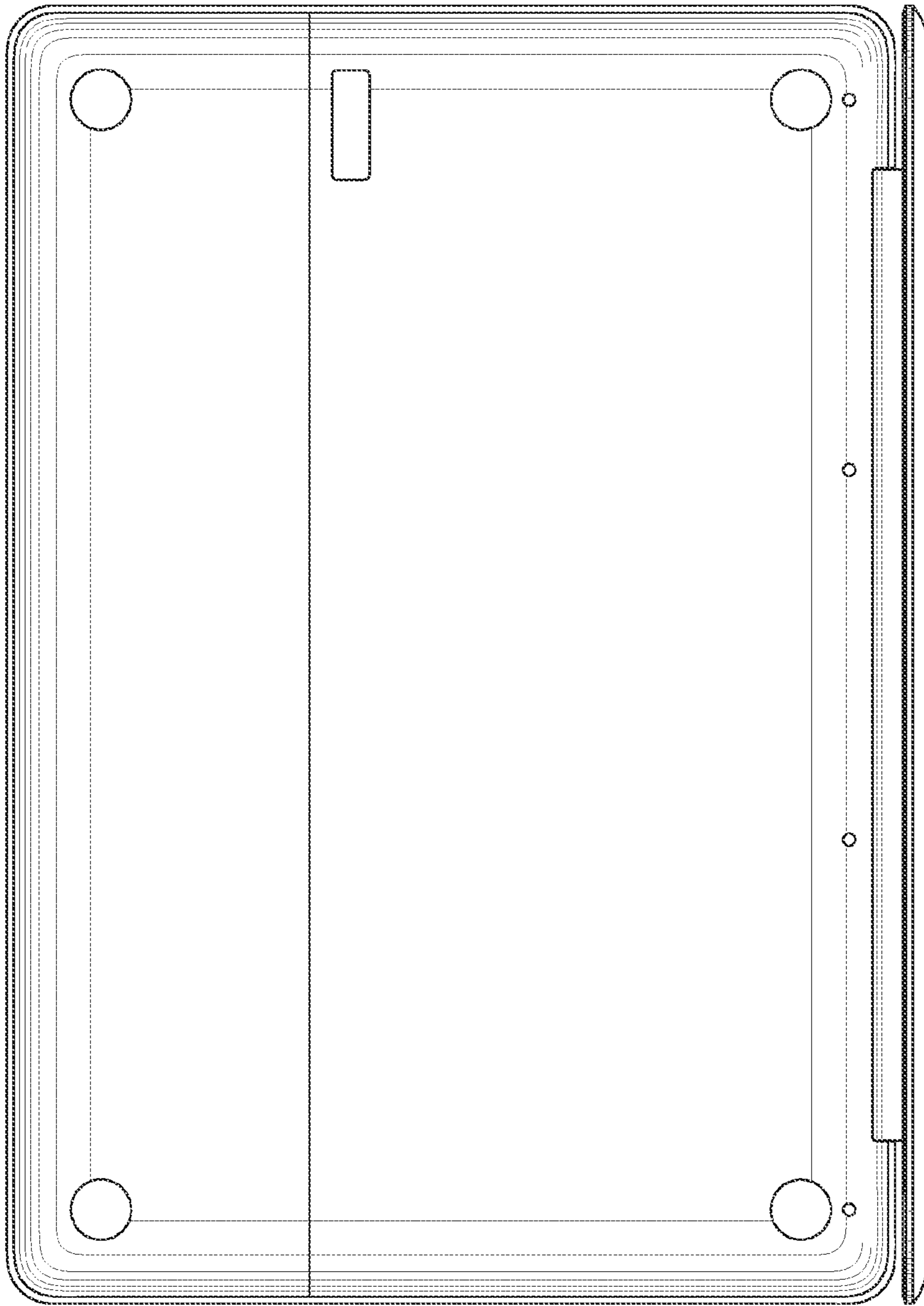


Fig. 32

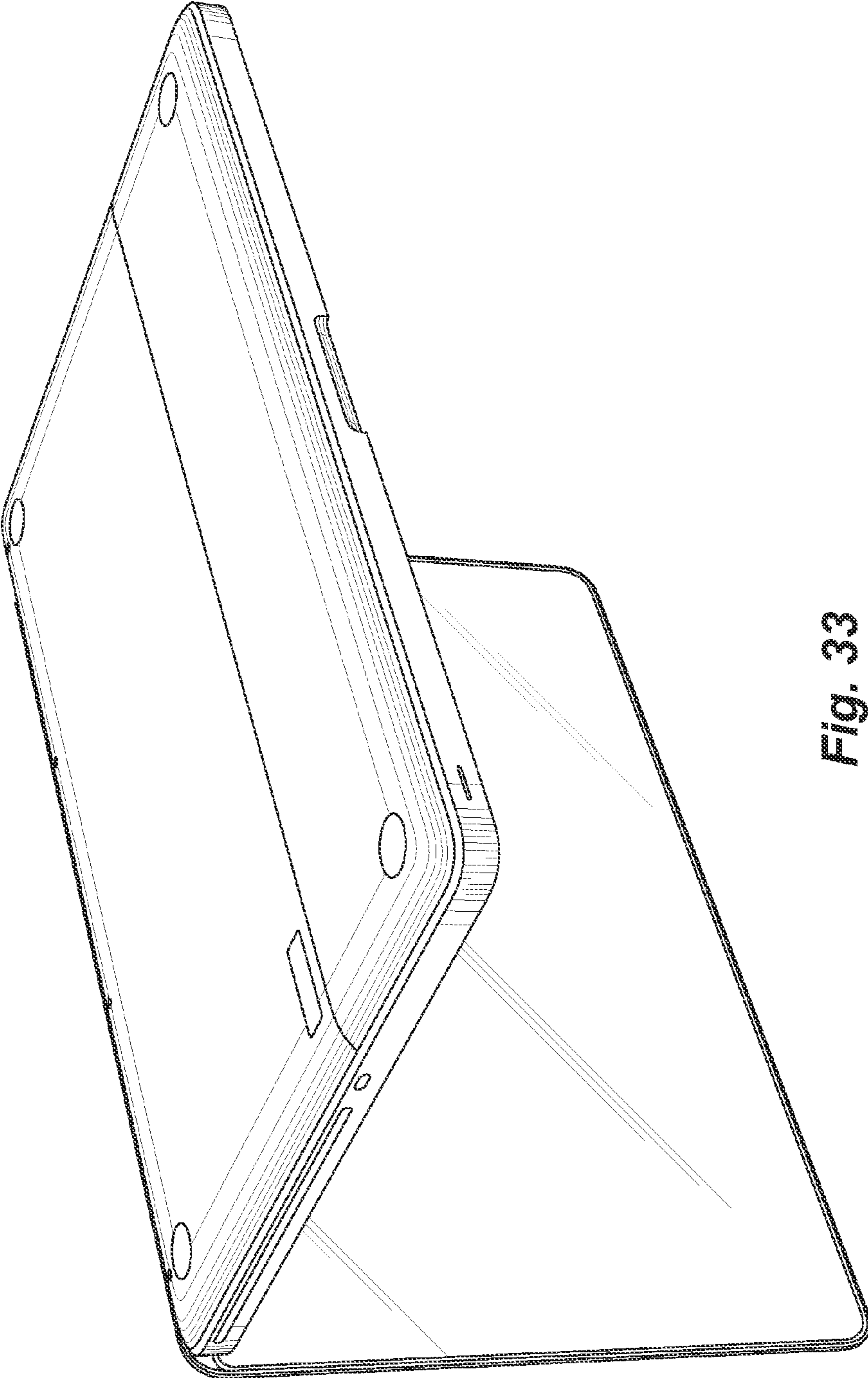


Fig. 33

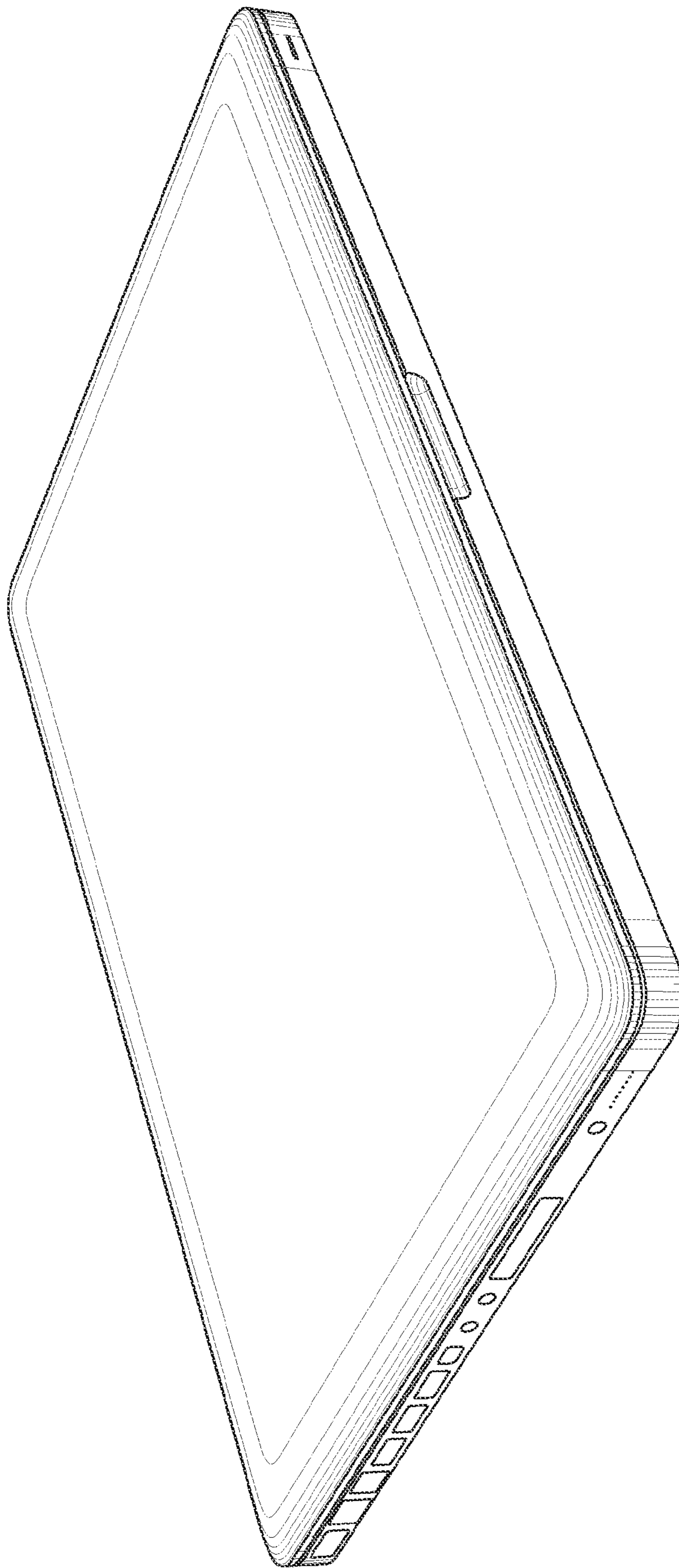


Fig. 34

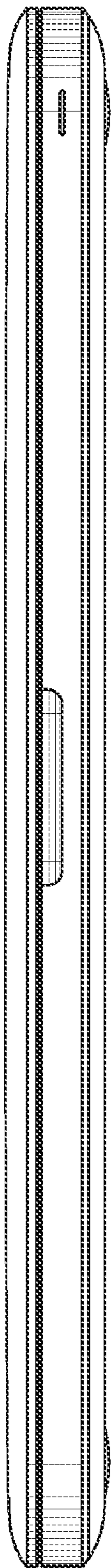


Fig. 35

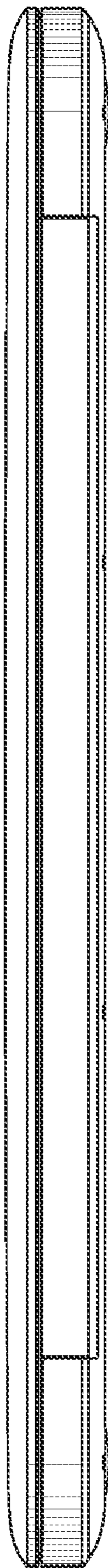


Fig. 36

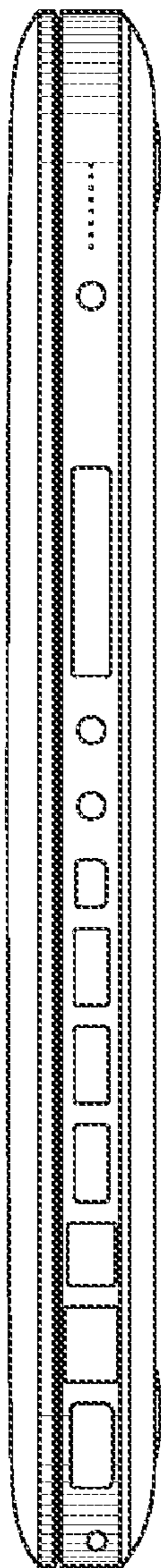


Fig. 37

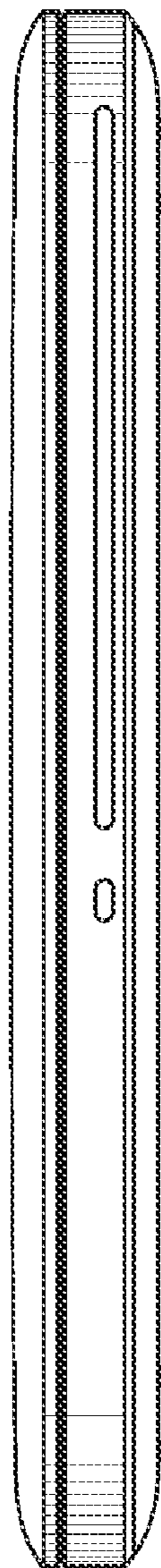


Fig. 38

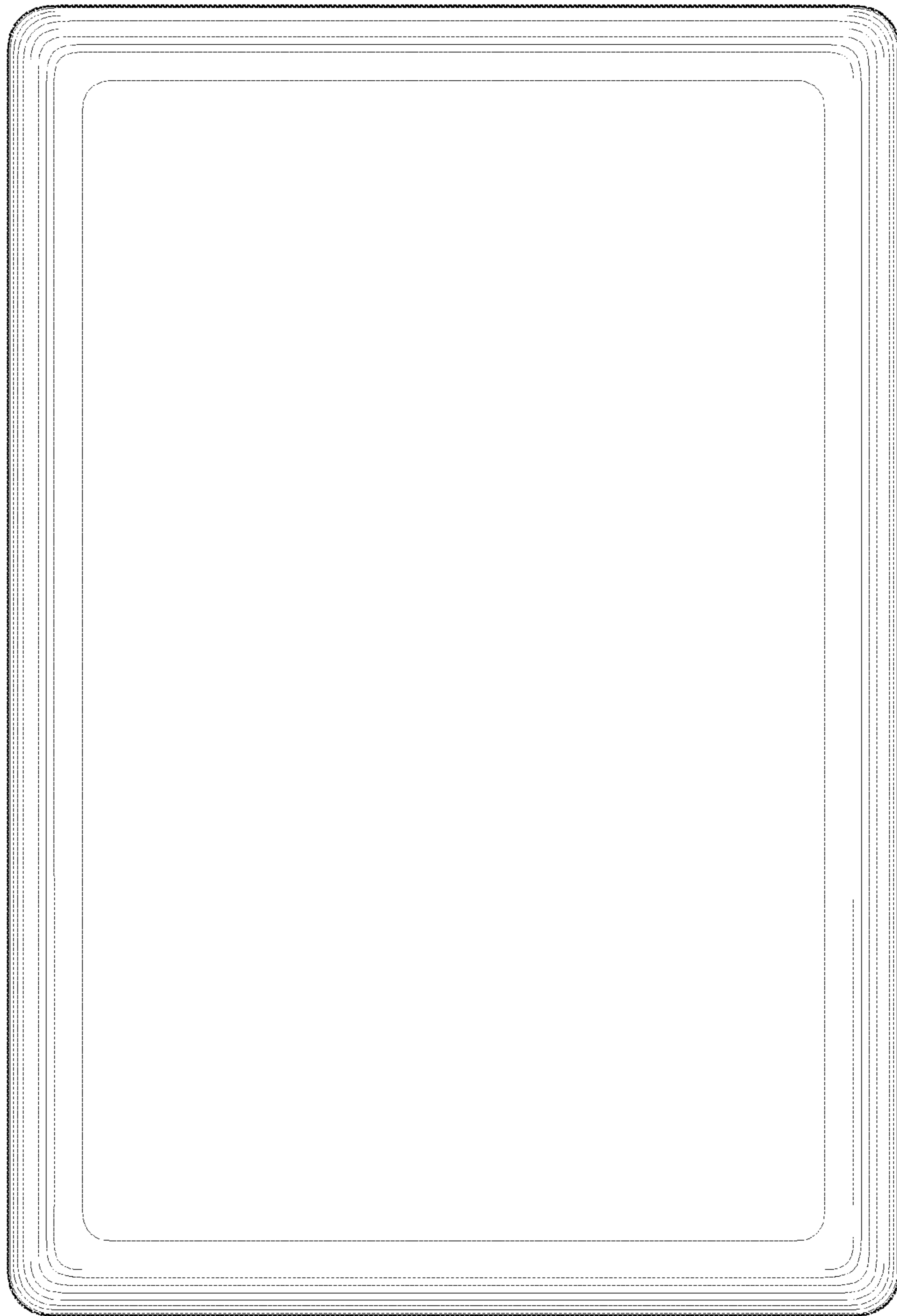


Fig. 39

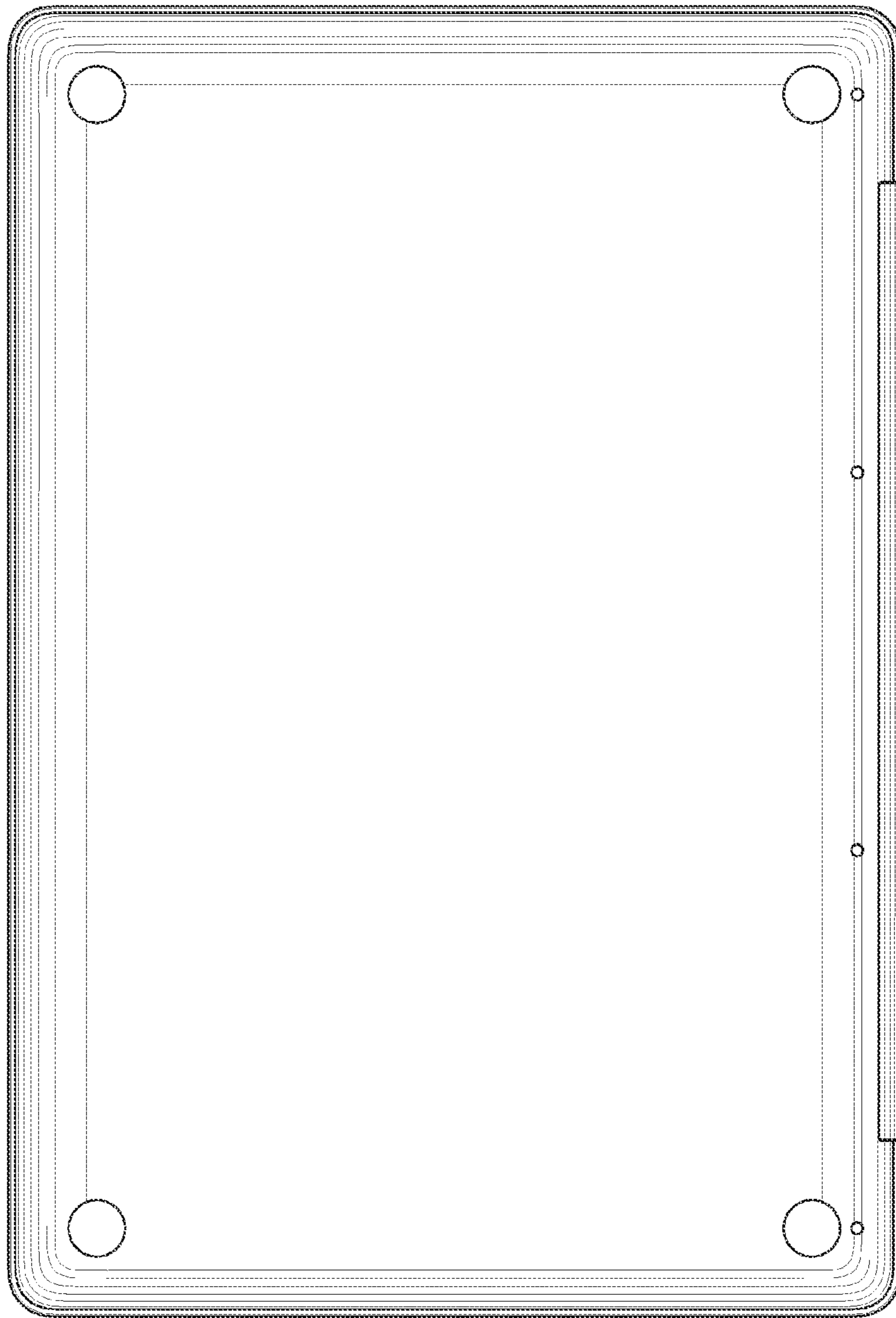


Fig. 40

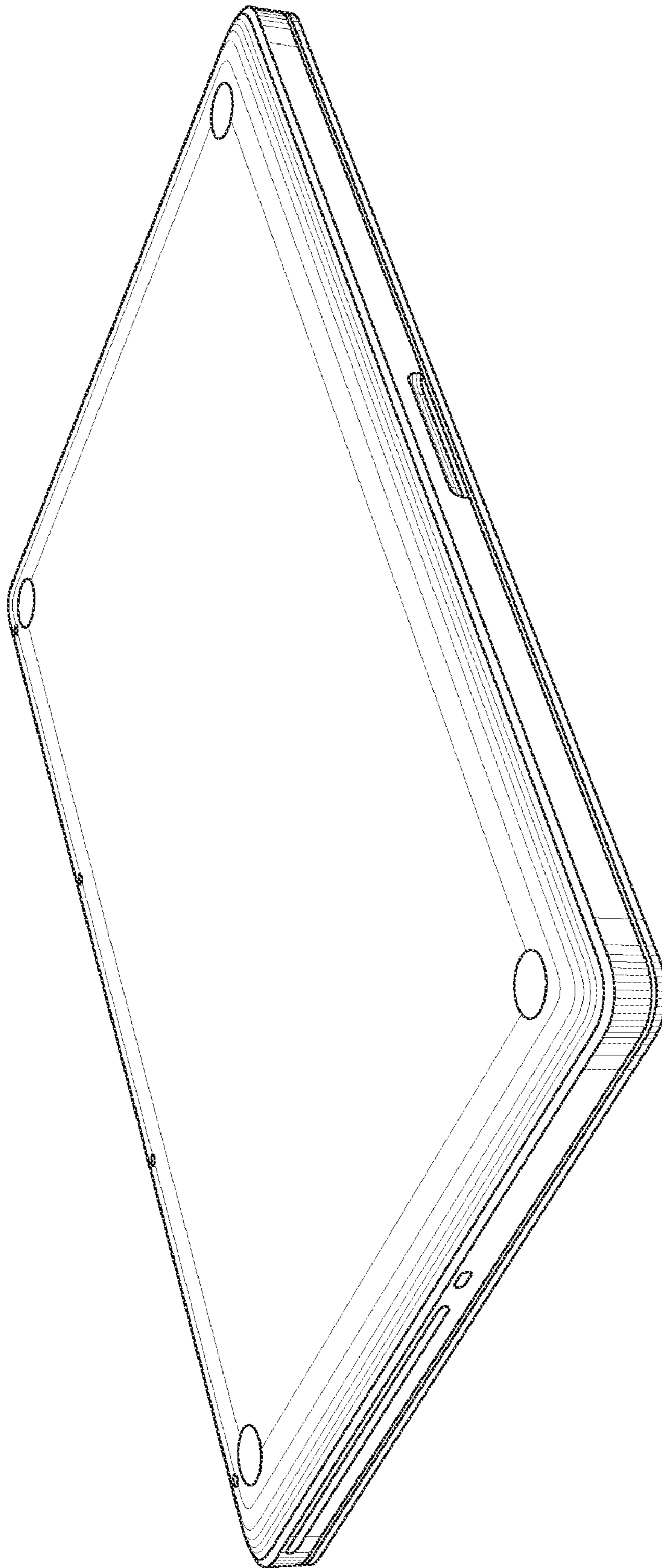


Fig. 41

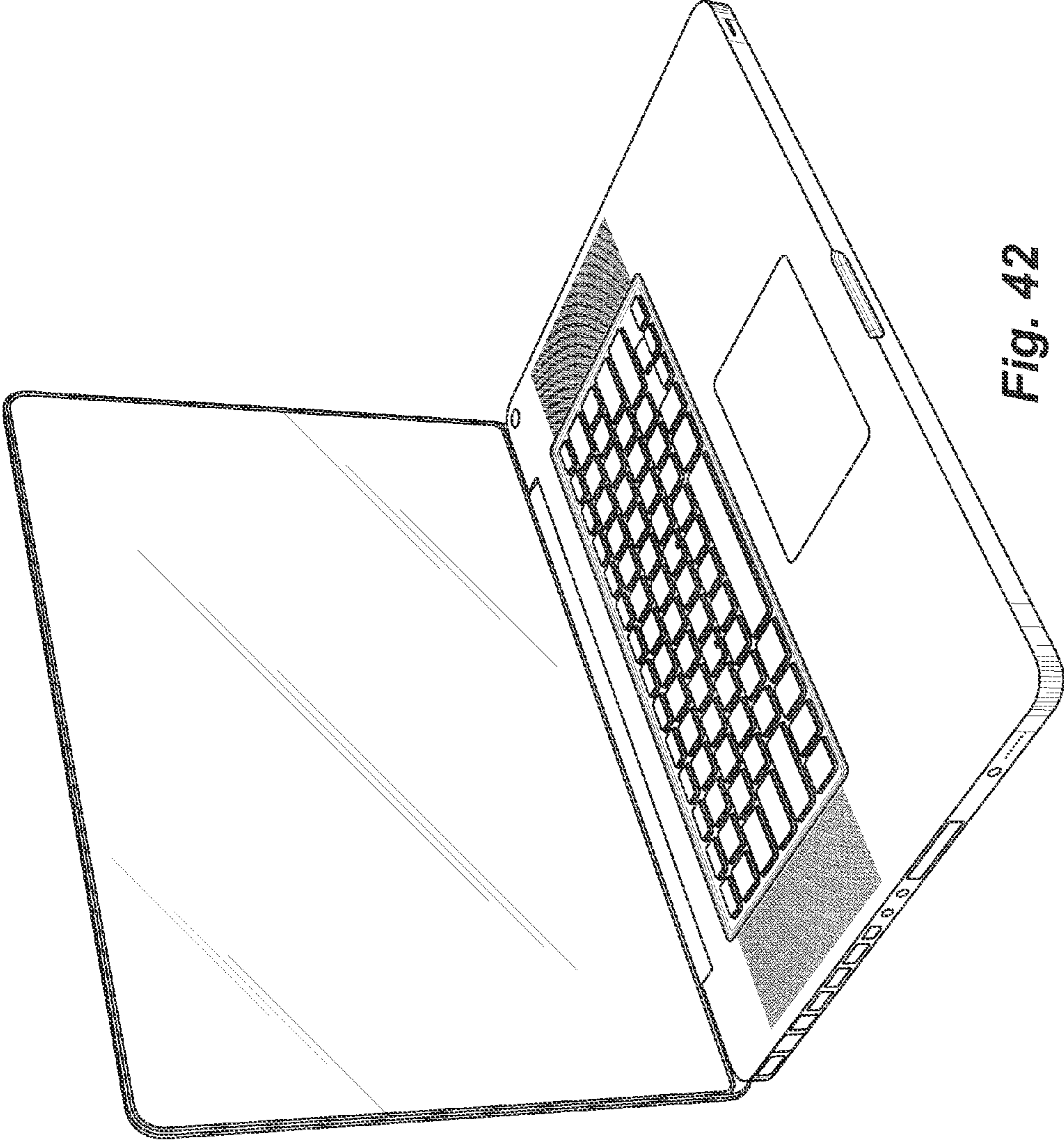


Fig. 42

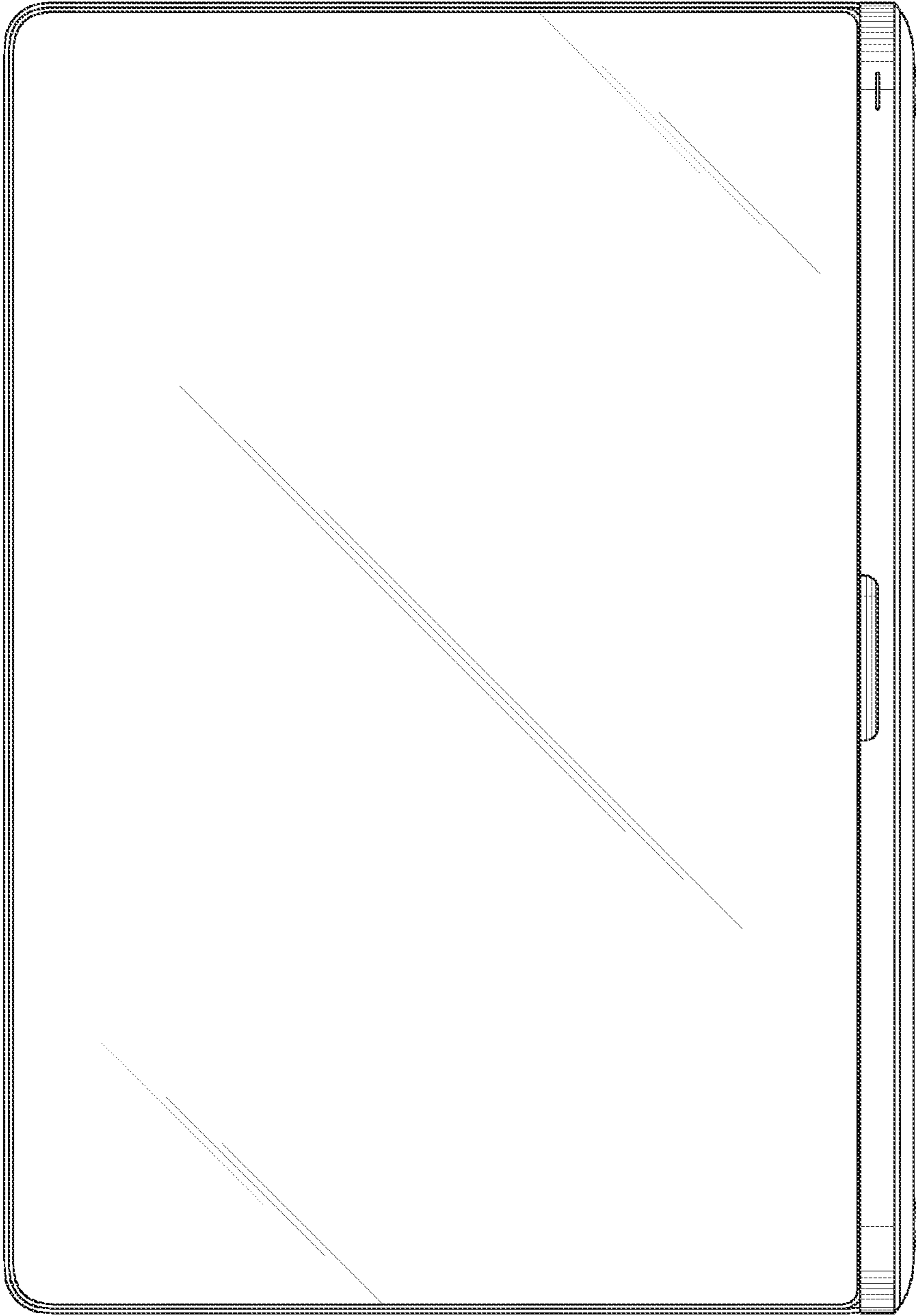


Fig. 43

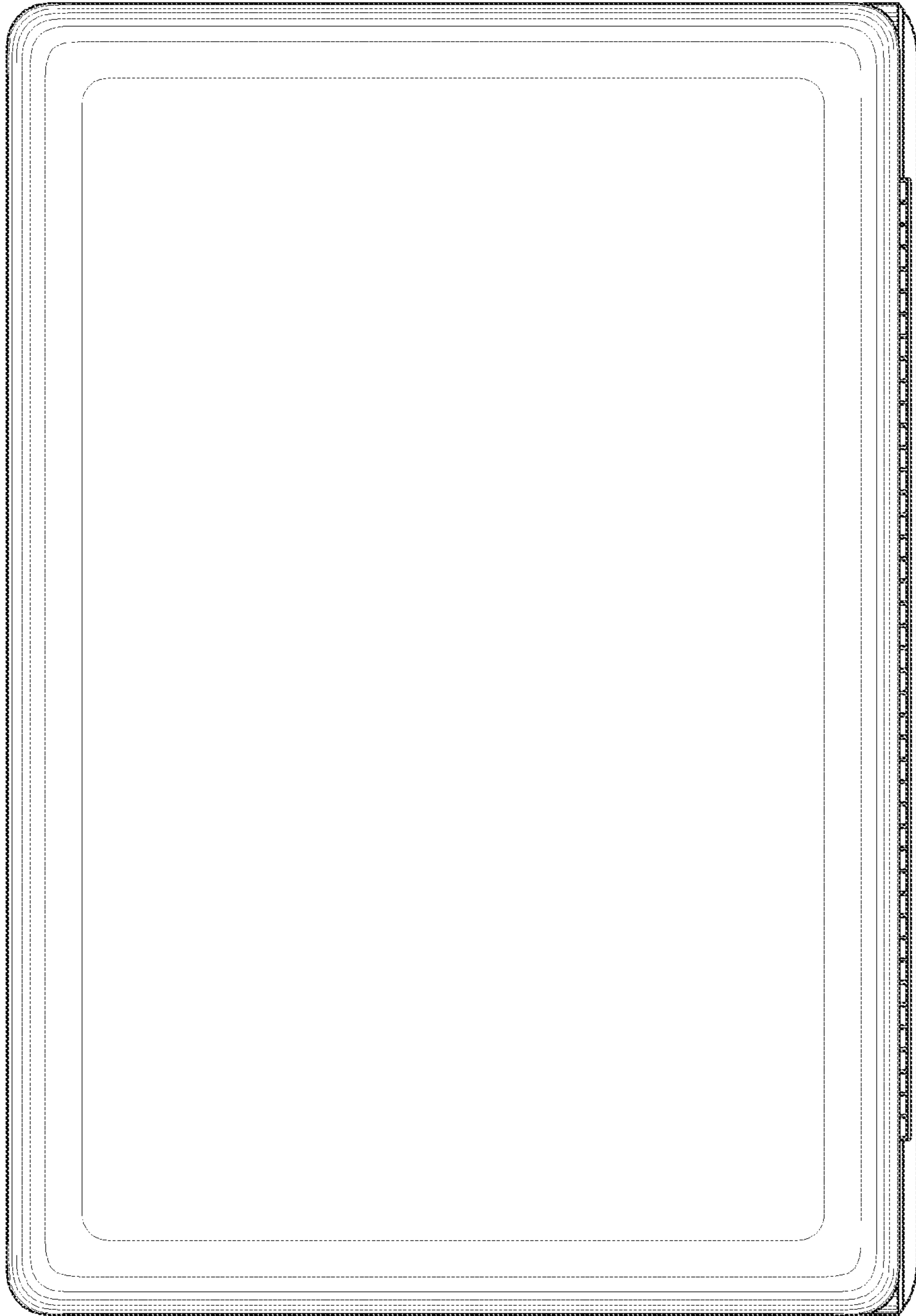


Fig. 44

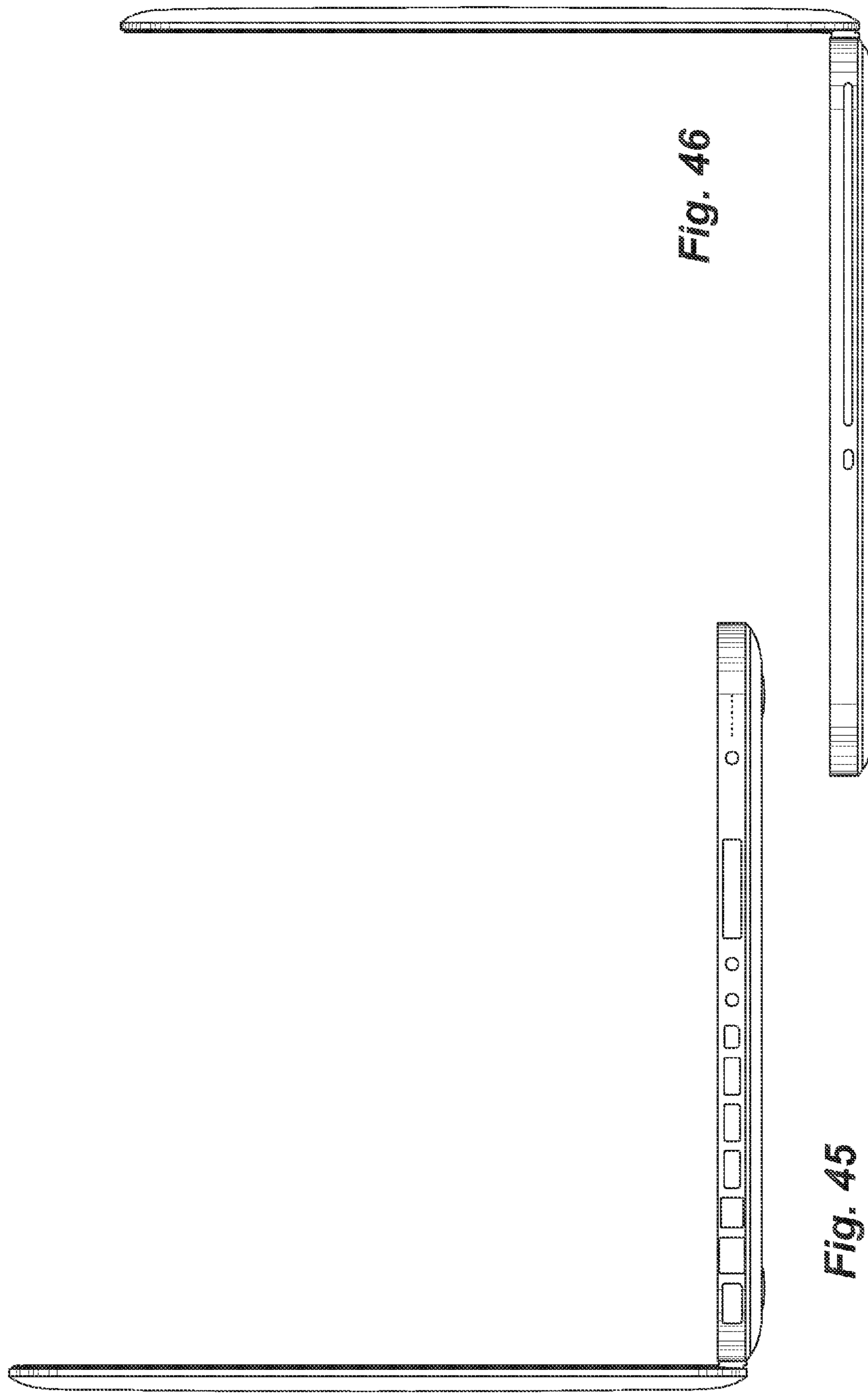


Fig. 46

Fig. 45

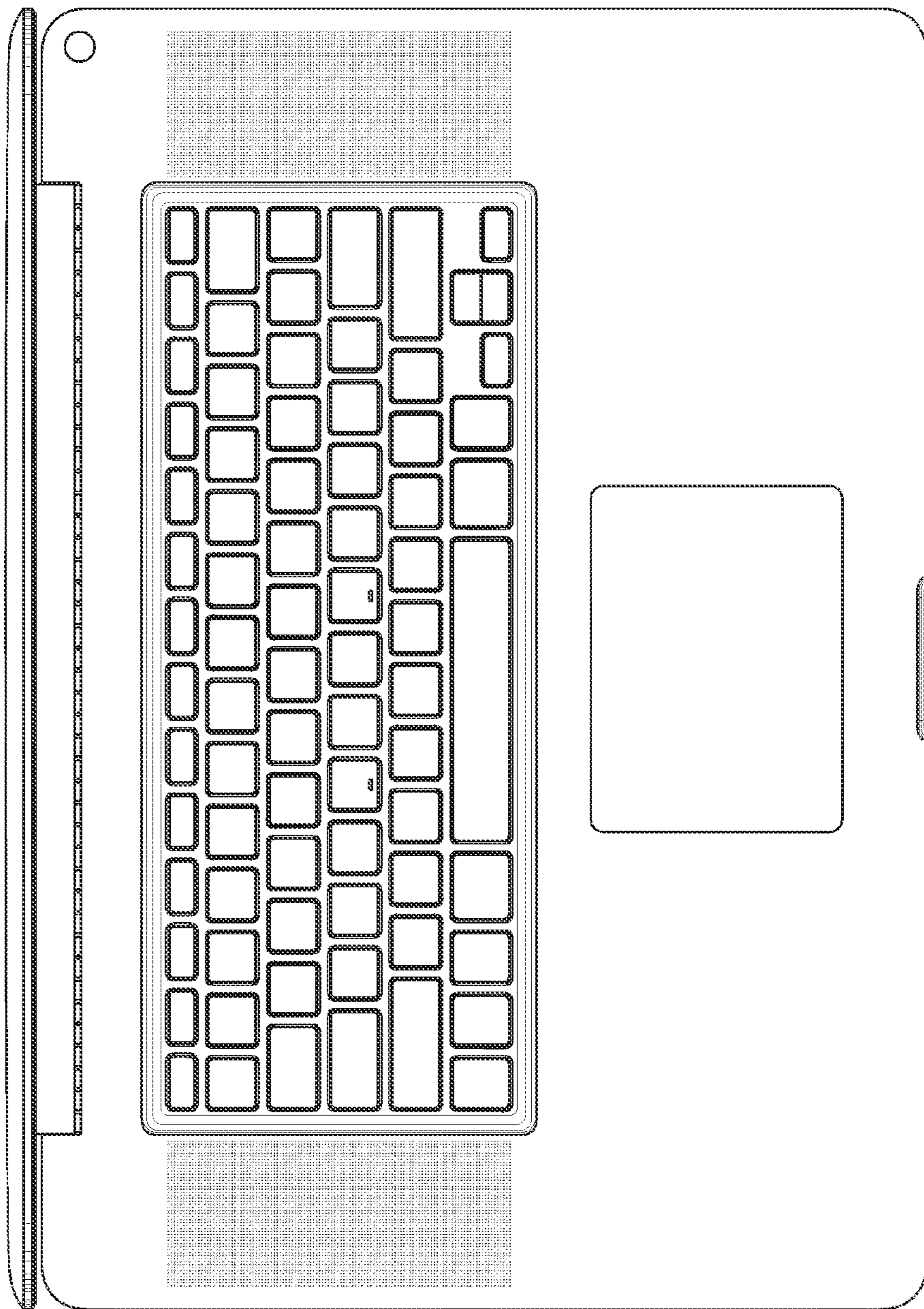


Fig. 47

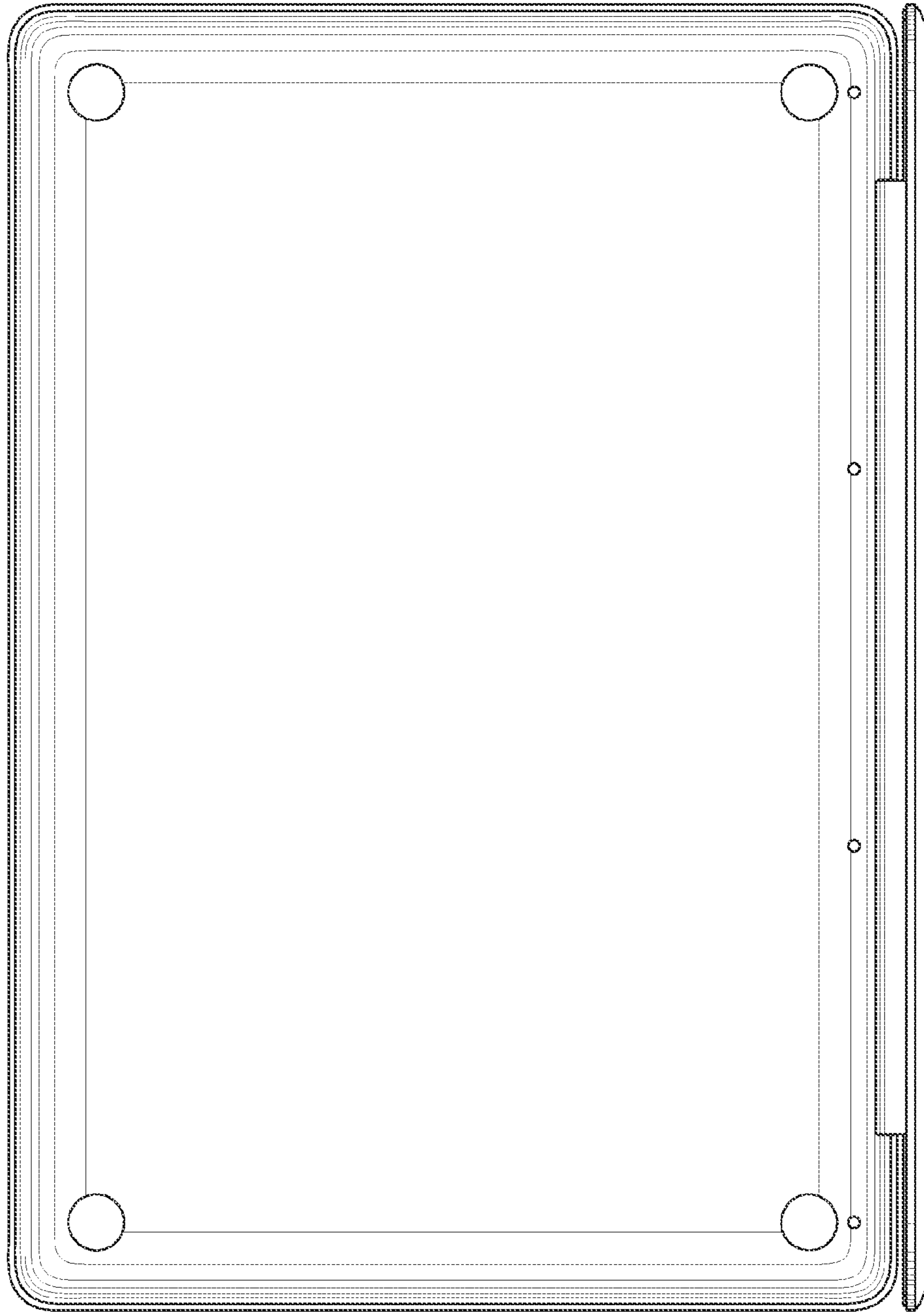


Fig. 48

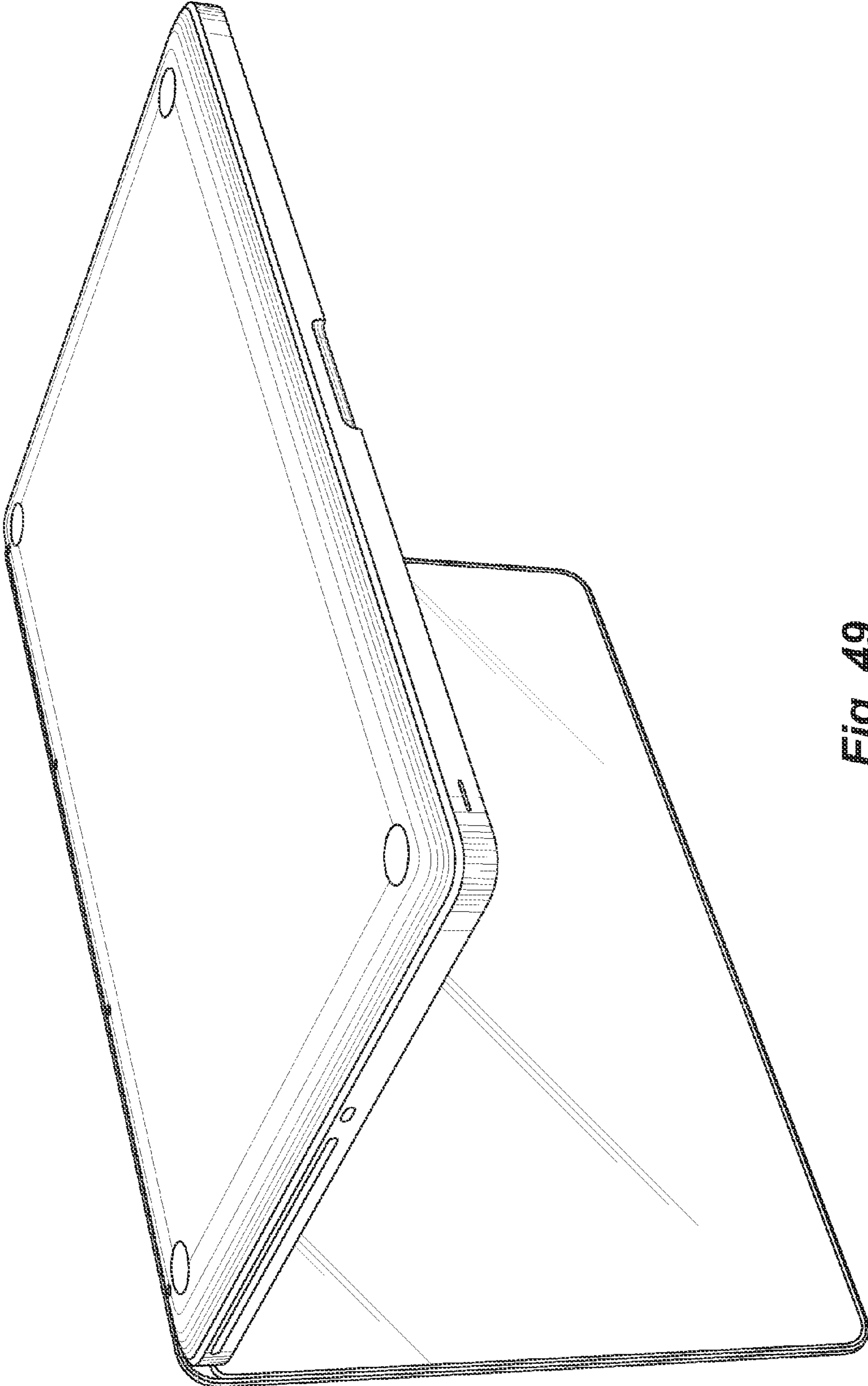


Fig. 49