



US00D606983S

(12) **United States Design Patent**
Hamer et al.

(10) **Patent No.:** **US D606,983 S**

(45) **Date of Patent:** **** Dec. 29, 2009**

(54) **WIRELESS ENCLOSURE**

(75) Inventors: **Louis-Nicolas Hamer**, Verdun (CA);
Sebastien Cossette, Laval (CA); **Nicolas Gonthier**, St-Eustache (CA)

(73) Assignee: **Verint Systems Inc.**, Santa Clara, CA
(US)

(**) Term: **14 Years**

(21) Appl. No.: **29/306,986**

(22) Filed: **Apr. 21, 2008**

(51) **LOC (9) Cl.** **14-02**

(52) **U.S. Cl.** **D14/240**

(58) **Field of Classification Search** D14/356,
D14/358, 233, 240, 242, 300, 348, 388, 433,
D14/155; D13/184, 137.2, 107, 108, 144;
360/69; 379/220.1, 220.14, 25, 93.09, 93.15,
379/156, 900, 338, 329; 381/124; 607/36;
307/10.1; 439/668

See application file for complete search history.

(56) **References Cited**

U.S. PATENT DOCUMENTS

D194,790 S * 3/1963 Neuhardt et al. D13/107

D342,250 S * 12/1993 Beaumont et al. D14/142
D346,805 S * 5/1994 Kim D14/240
D424,028 S * 5/2000 Vaiani D13/184
D473,221 S * 4/2003 Gargani et al. D14/240
D559,233 S * 1/2008 Tang D14/230
D578,116 S * 10/2008 Olcott et al. D14/240
D580,853 S * 11/2008 Ahlgren D13/107

* cited by examiner

Primary Examiner—Charles A Rademaker

Assistant Examiner—Charles D Hanson

(57) **CLAIM**

The ornamental design for a wireless enclosure, as shown and described.

DESCRIPTION

FIG. 1 is a front elevation view of a wireless enclosure showing our new design;

FIG. 2 is a rear perspective view thereof;

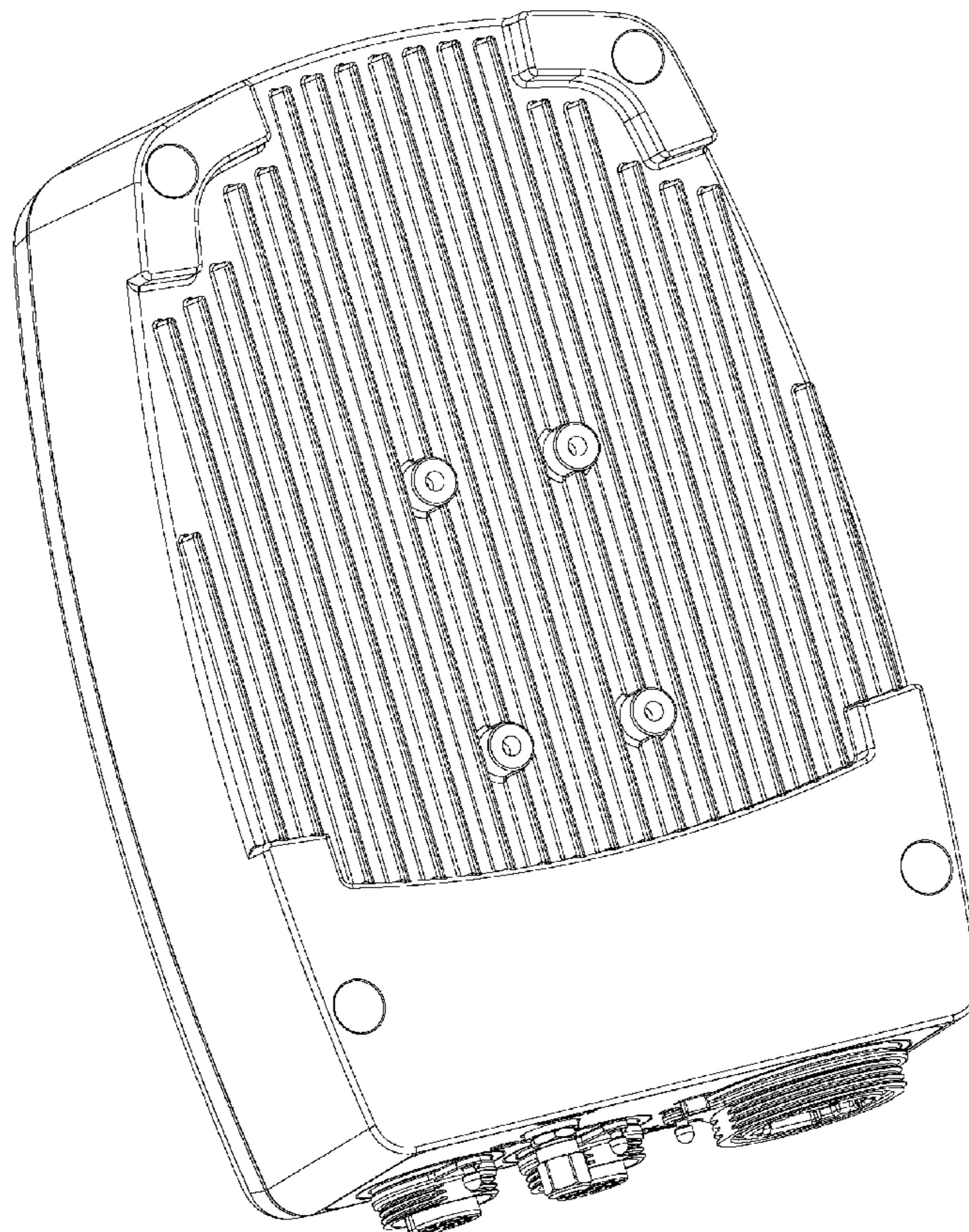
FIG. 3 is a right elevation view thereof;

FIG. 4 is a left elevation view thereof;

FIG. 5 is a top plan view thereof; and,

FIG. 6 is a bottom plan view thereof.

1 Claim, 6 Drawing Sheets



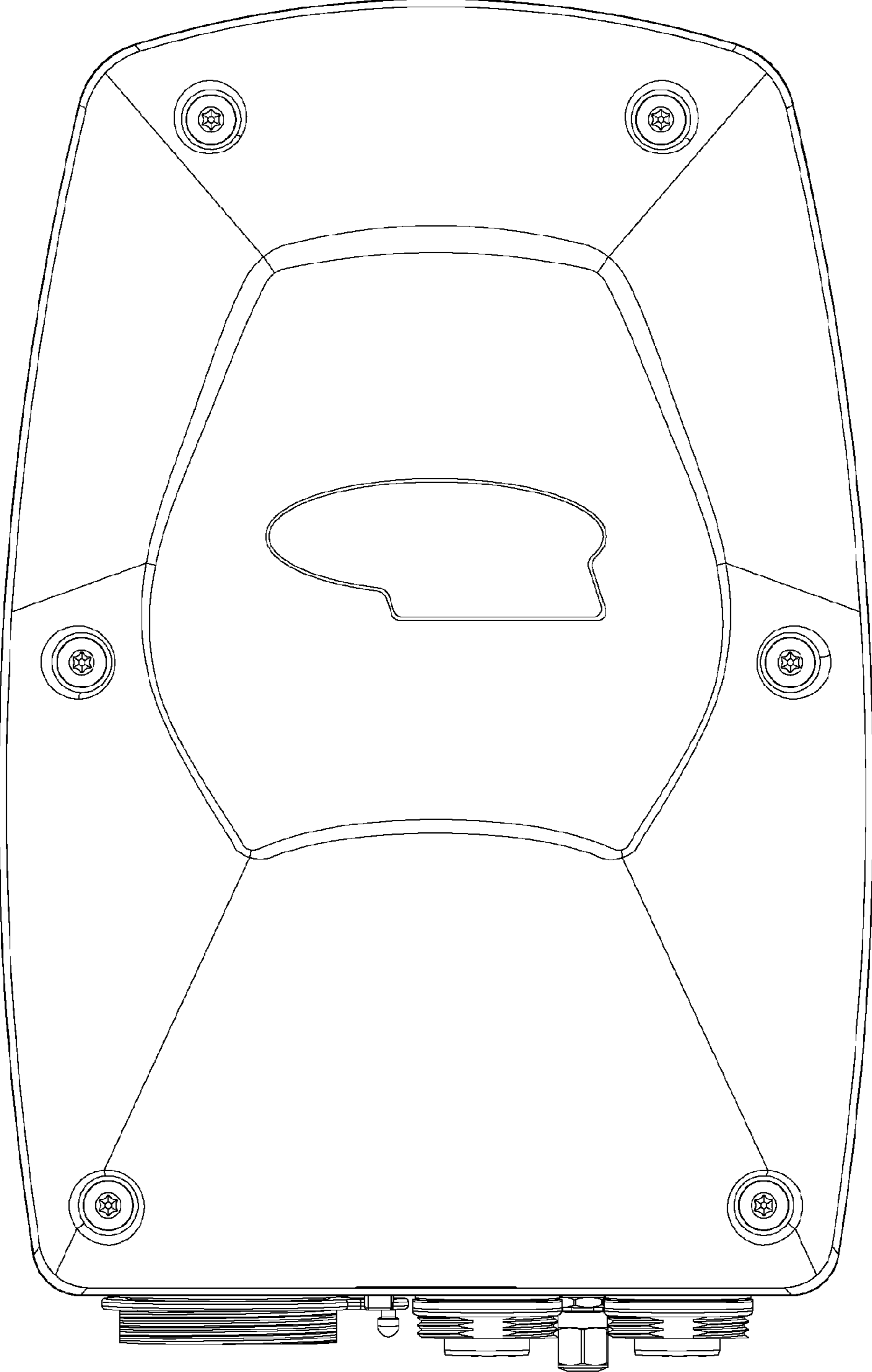


Figure 1

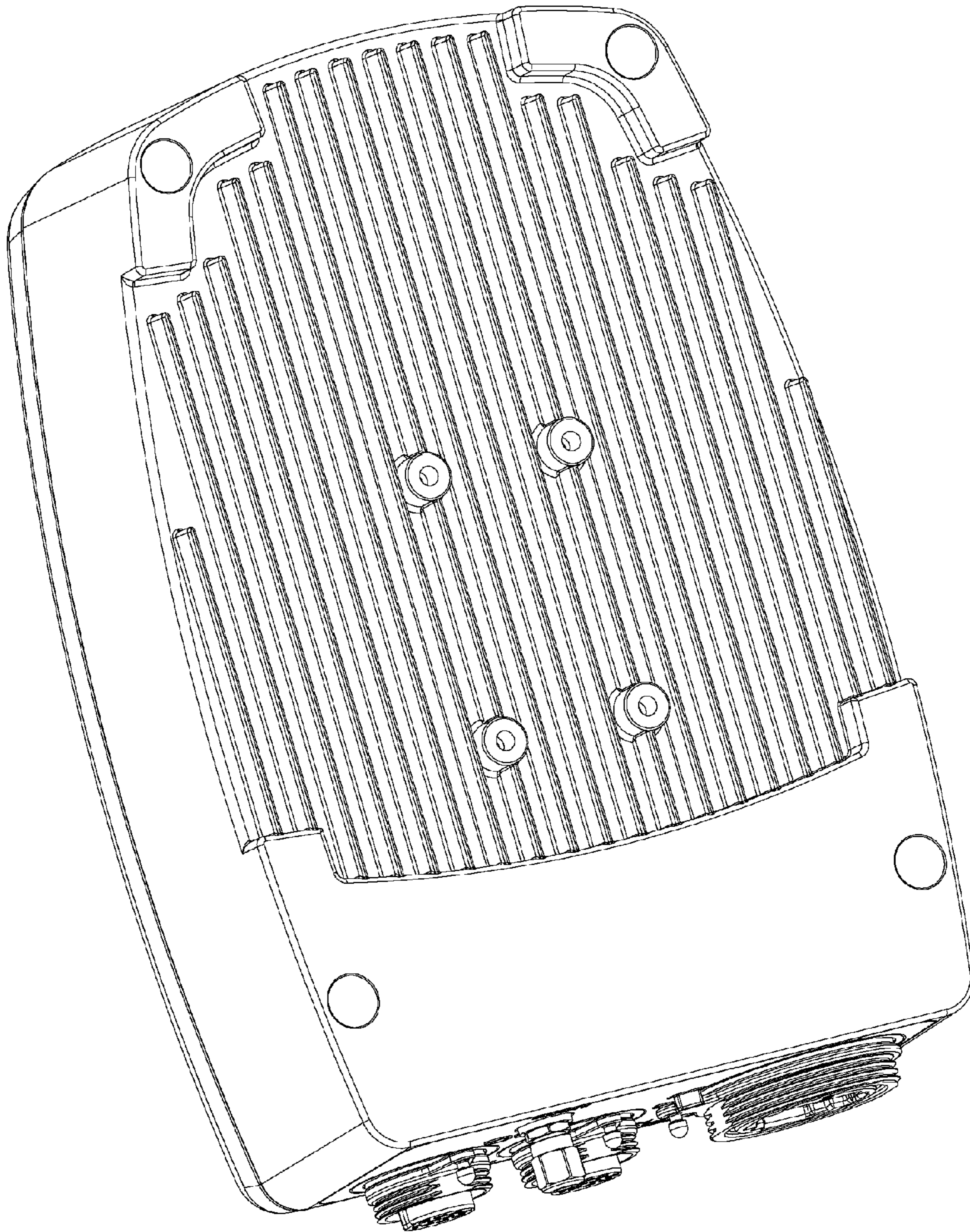


Figure 2

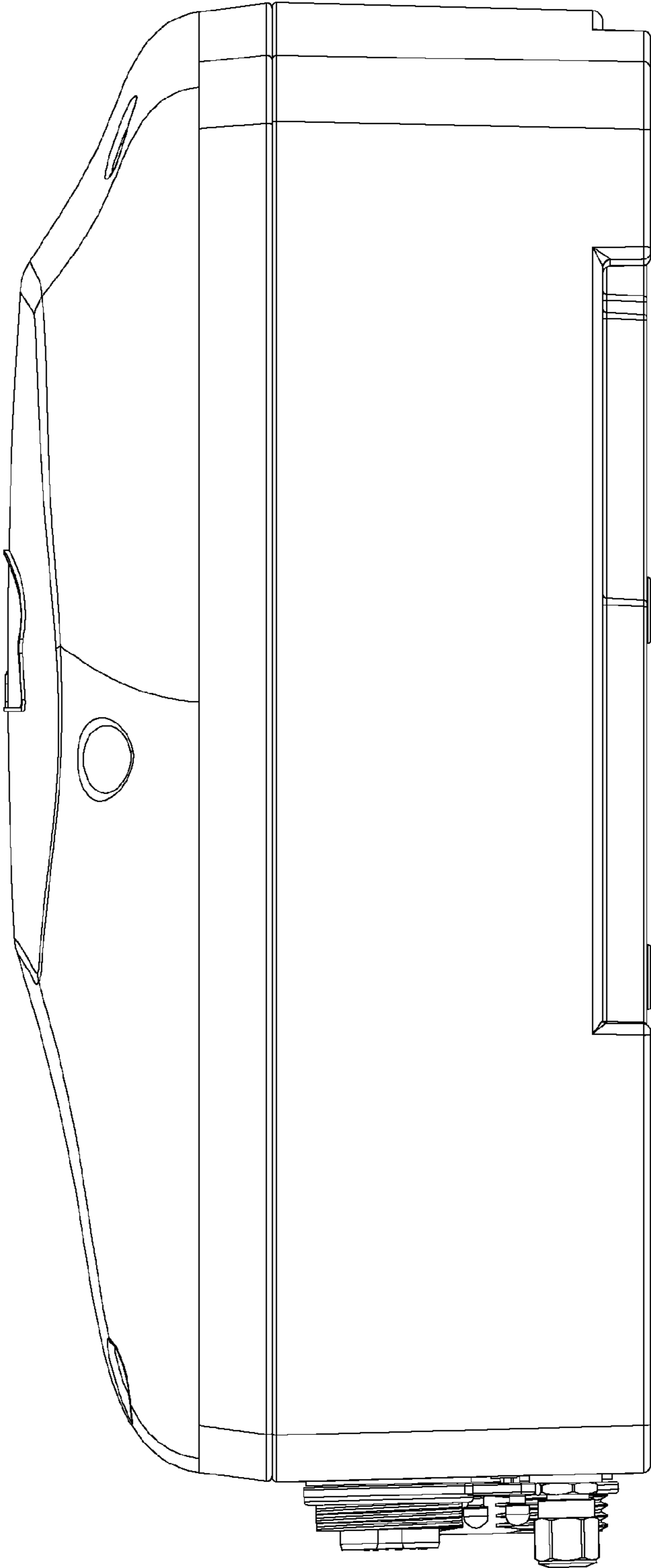


Figure 3



Figure 4

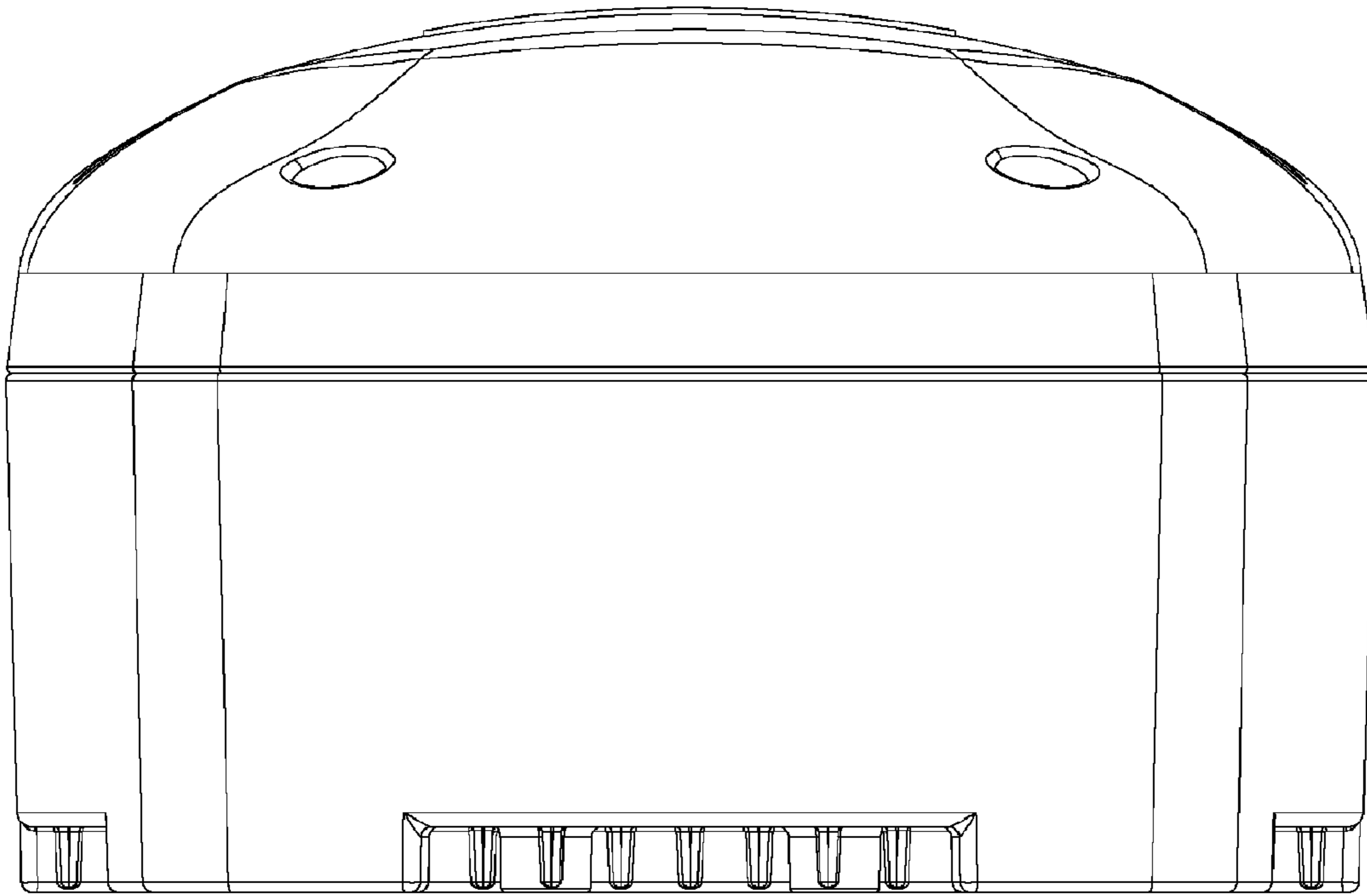


Figure 5

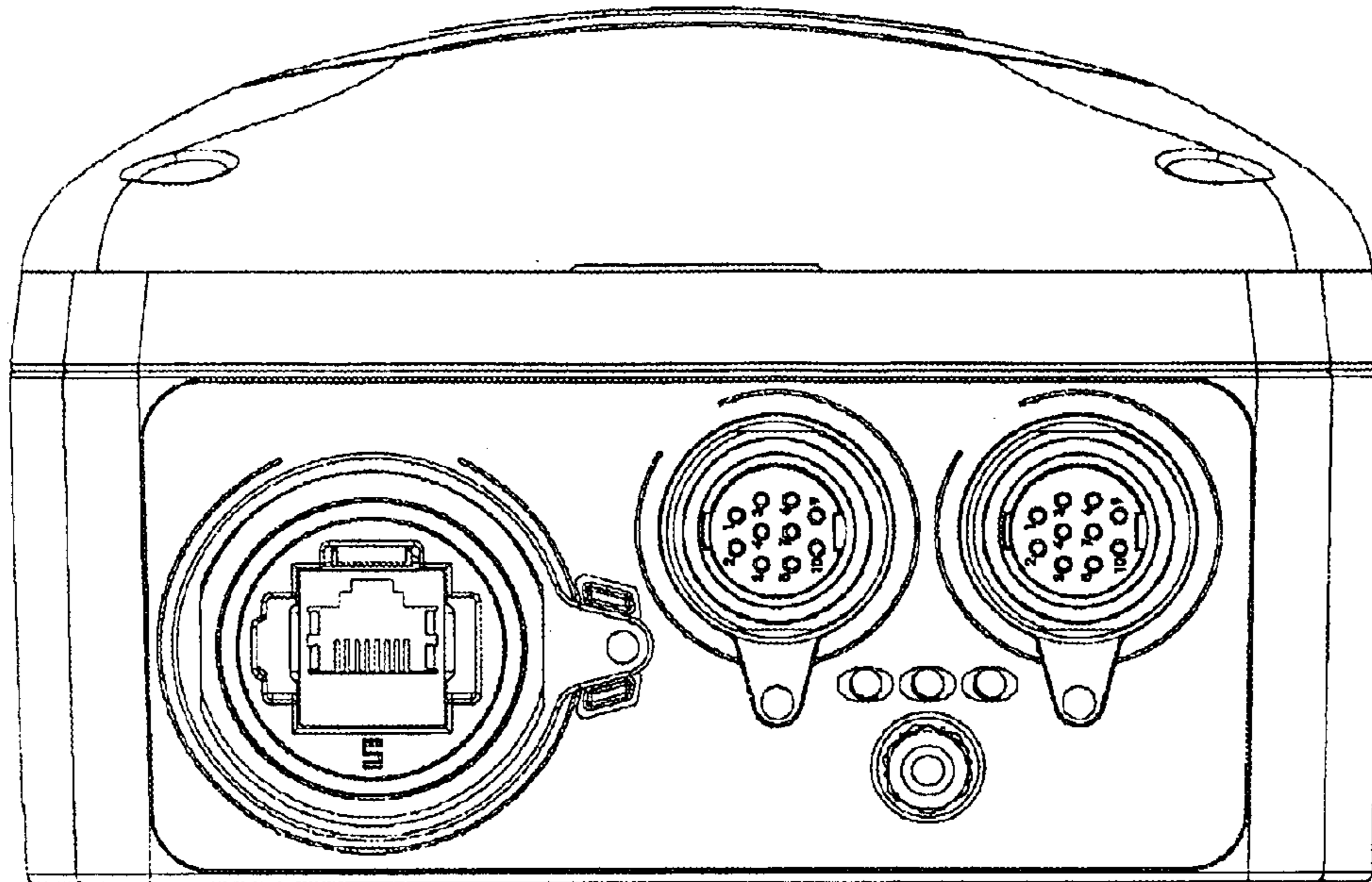


Figure 6