

US00D606980S

(12) **United States Design Patent**
Bradford

(10) **Patent No.:** **US D606,980 S**

(45) **Date of Patent:** **** Dec. 29, 2009**

(54) **VOLUME CONTROL UNIT**

(75) Inventor: **Simon Bradford**, Middlesex (GB)

(73) Assignee: **Nokia Corporation**, Espoo (FI)

(**) Term: **14 Years**

(21) Appl. No.: **29/298,344**

(22) Filed: **Dec. 3, 2007**

(51) **LOC (9) Cl.** **14-03**

(52) **U.S. Cl.** **D14/218**

(58) **Field of Classification Search** D14/218,
D14/455; D13/168; D21/566; D10/104,
D10/106; 345/169; 348/14.05, 114, 211.99,
348/734; 340/825.24; 341/22; 455/92, 95,
455/128, 151.1–151.4, 352, 355, FOR. 121;
700/65

See application file for complete search history.

(56) **References Cited**

U.S. PATENT DOCUMENTS

D121,962 S *	8/1940	Meuer	D13/168
D271,301 S *	11/1983	Manning et al.	D14/256
D316,550 S *	4/1991	Sogabe	D14/168
D334,043 S *	3/1993	Taniguchi et al.	D14/218
D371,133 S *	6/1996	Andrea	D14/206
D387,783 S *	12/1997	Mariotta	D15/138
6,122,369 A *	9/2000	Hwang et al.	379/420.04
D473,217 S *	4/2003	Rivera	D14/223
D511,157 S *	11/2005	Johnson	D14/223

D530,681 S *	10/2006	Huang	D13/168
D532,776 S *	11/2006	Griffin	D14/435.1
D543,539 S	5/2007	Sade et al.		
D552,603 S *	10/2007	Tierney	D14/226
D574,366 S	8/2008	Sade et al.		
D585,876 S *	2/2009	Griffin	D14/218

* cited by examiner

Primary Examiner—T. Chase Nelson
Assistant Examiner—John Windmuller

(74) *Attorney, Agent, or Firm*—Banner & Witcoff, Ltd.

(57) **CLAIM**

The ornamental design for a volume control unit, as shown and described.

DESCRIPTION

FIG. 1 is a front view of a volume control unit showing my new design;

FIG. 2 is a rear view thereof;

FIG. 3 is a right side view thereof;

FIG. 4 is a left side view thereof;

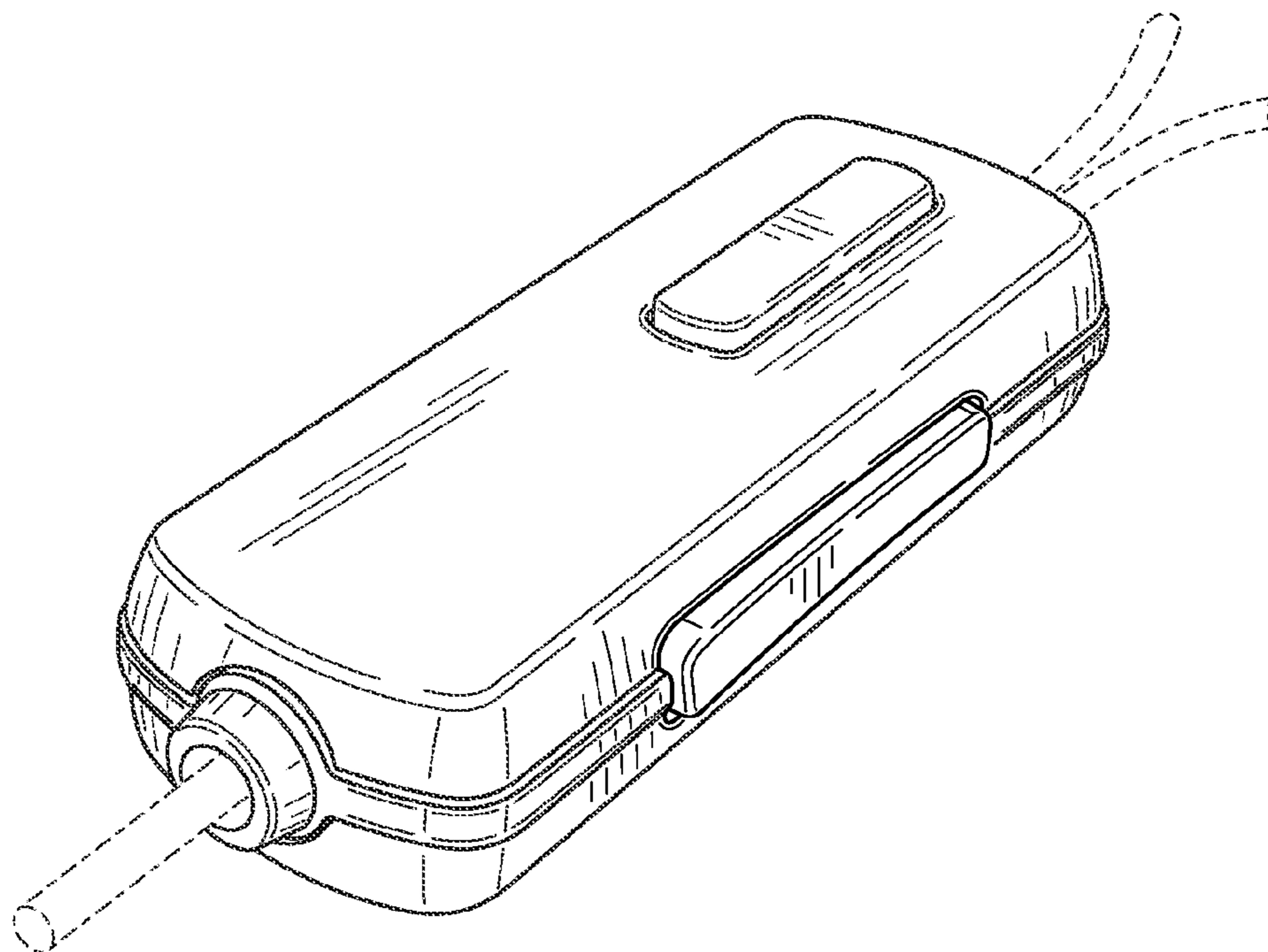
FIG. 5 is a top view thereof;

FIG. 6 is a bottom view thereof; and,

FIG. 7 is a perspective view thereof.

In the drawings, the broken lines depict environmental subject matter only and form no part of the claimed design.

1 Claim, 4 Drawing Sheets



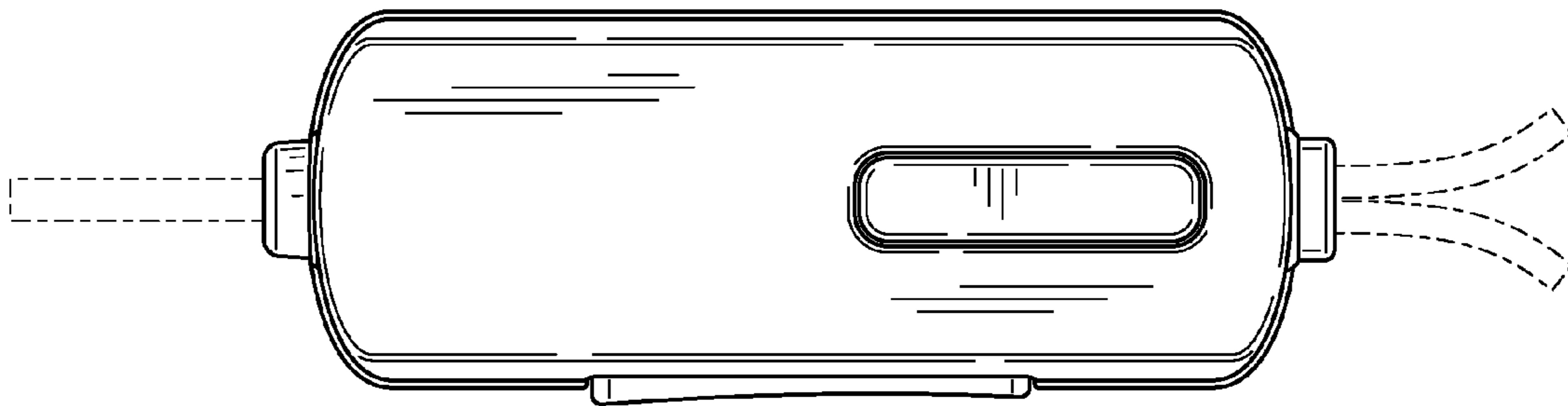


FIG. 1

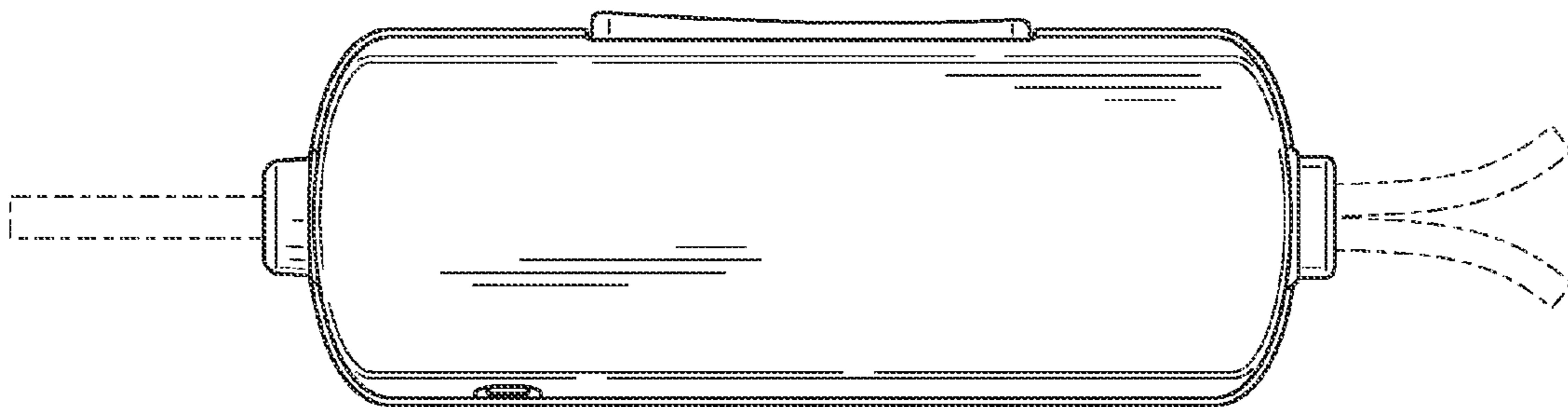


FIG. 2

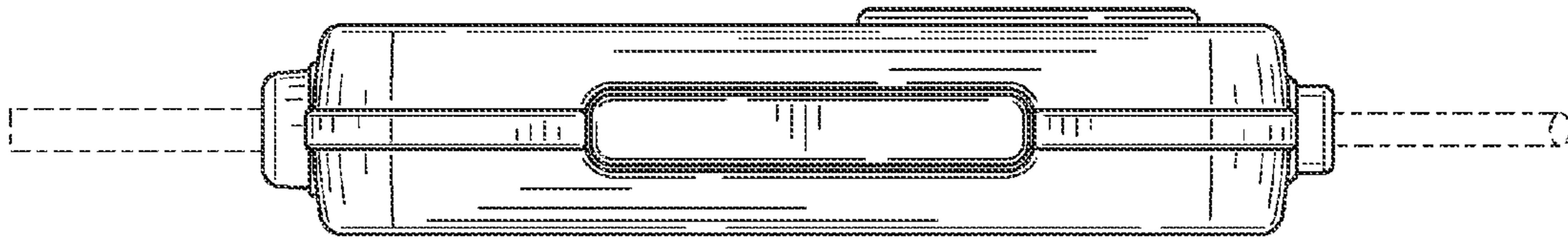


FIG. 3



FIG. 4

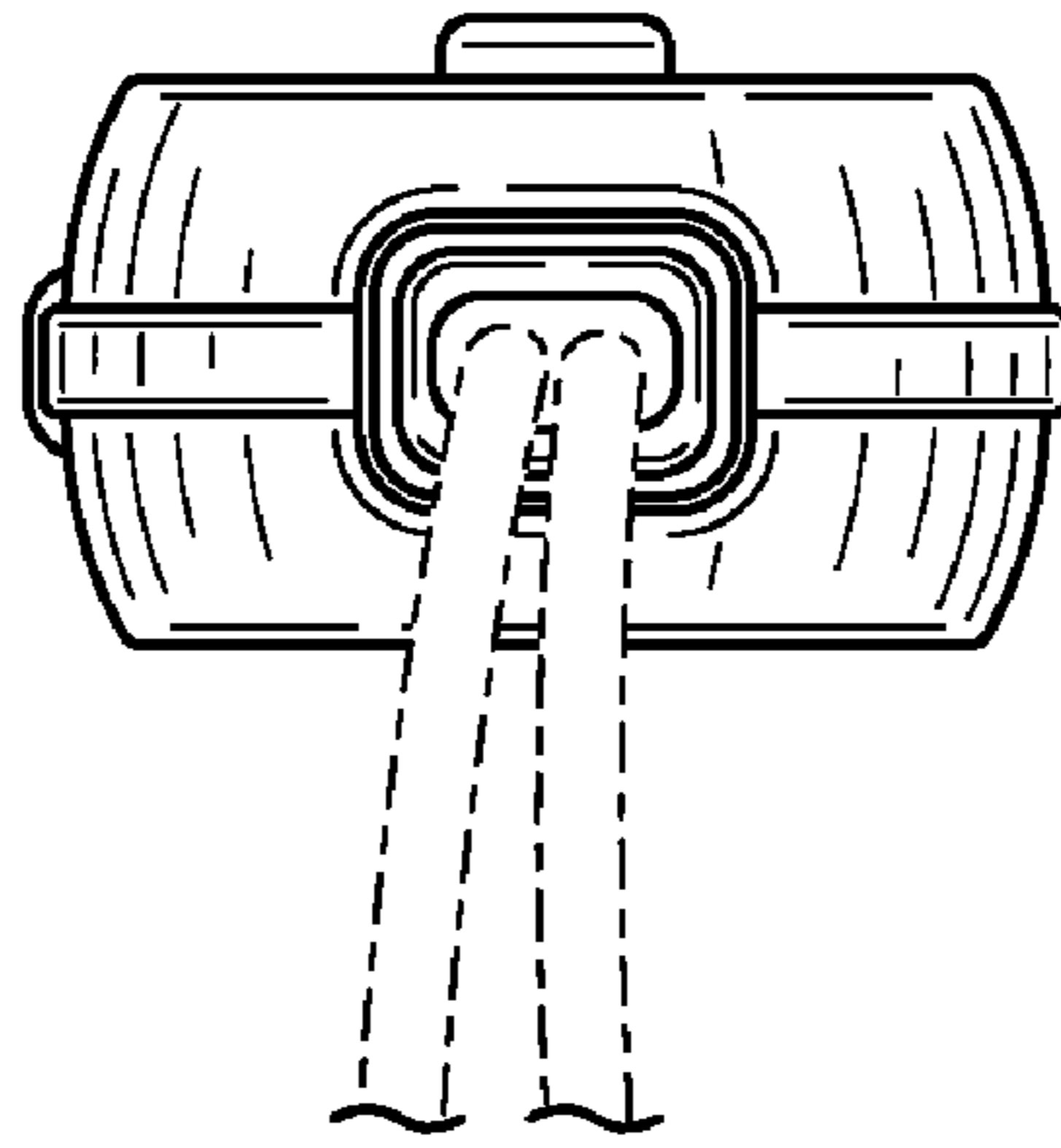


FIG. 5

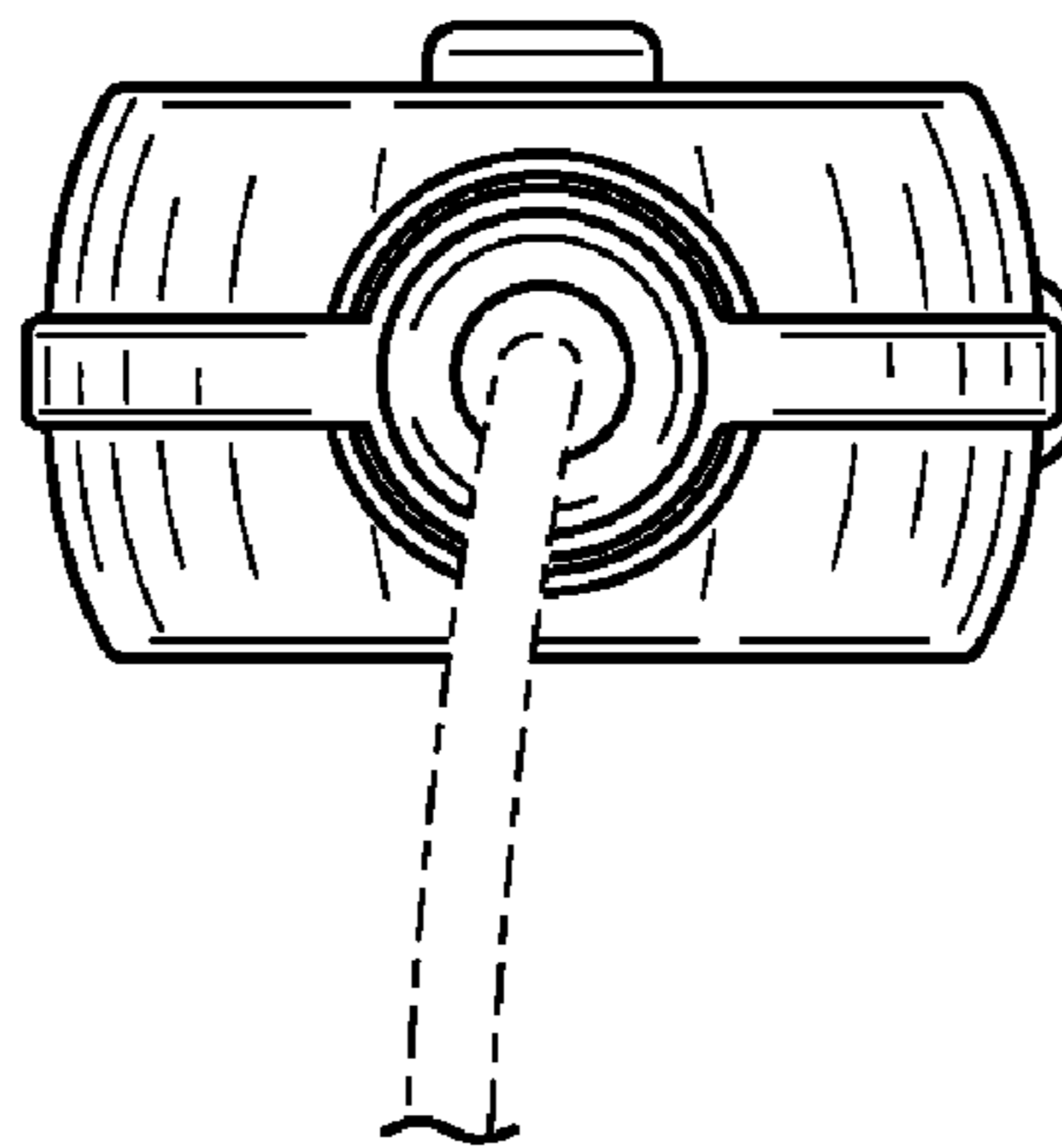


FIG. 6

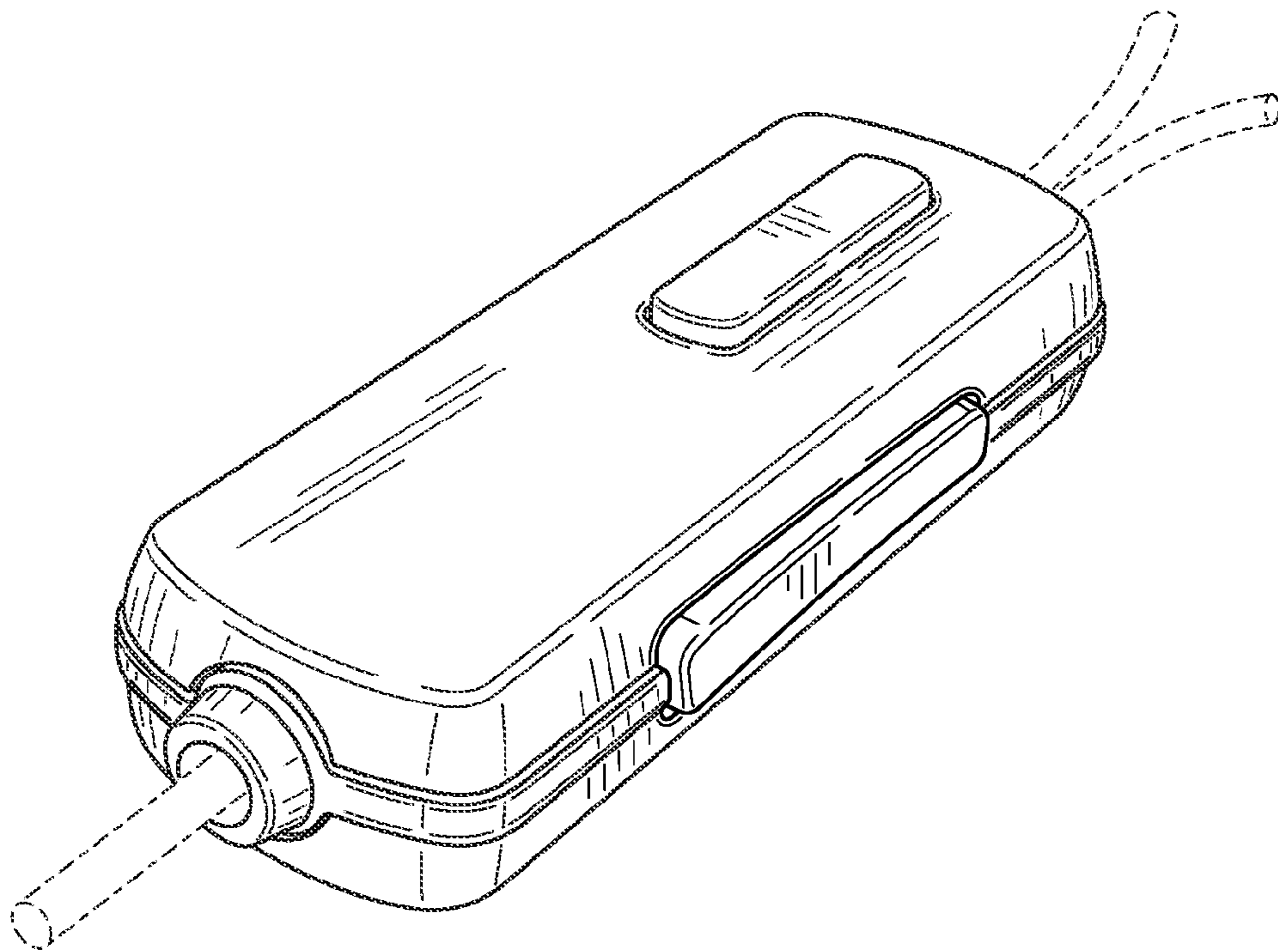


FIG. 7