



US00D606978S

(12) **United States Design Patent**  
**Chen**

(10) **Patent No.:** **US D606,978 S**  
(45) **Date of Patent:** **\*\* Dec. 29, 2009**

(54) **PAIR OF SPEAKERS**

(74) *Attorney, Agent, or Firm*—Frank R. Niranjana

(75) Inventor: **Hwang-Miaw Chen**, Taipei Hsien (TW)

(57) **CLAIM**

(73) Assignee: **Foxconn Technology Co., Ltd.**,  
Tu-Cheng, Taipei Hsien (TW)

The ornamental design for a pair of speakers, as shown and described.

(\*\*) Term: **14 Years**

**DESCRIPTION**

(21) Appl. No.: **29/335,312**

FIG. 1 is a front perspective view of a speaker of a pair of speakers showing my new design, shown separately for clarity of illustration;

(22) Filed: **Apr. 14, 2009**

FIG. 2 is a front elevational view thereof;

(51) **LOC (9) Cl.** ..... **14-01**

FIG. 3 is a rear elevational view thereof;

(52) **U.S. Cl.** ..... **D14/215; D14/204**

FIG. 4 is a left side elevational view thereof;

(58) **Field of Classification Search** ..... D14/204,  
D14/207, 209, 209.1, 210–216, 172; 181/143–144,  
181/147–148, 150–153, 157, 198–199; 381/300–303,  
381/306, 332–333, 336, 345, 361–364, 386–388  
See application file for complete search history.

FIG. 5 is a right side elevational view thereof;

FIG. 6 is a top plan view thereof;

FIG. 7 is a bottom plan view thereof;

(56) **References Cited**

FIG. 8 is a front perspective view of another speaker of a pair of speakers, shown separately for clarity of illustration;

**U.S. PATENT DOCUMENTS**

FIG. 9 is a front elevational view thereof;

FIG. 10 is a rear elevational view thereof;

D360,417 S \* 7/1995 Mark ..... D14/215

FIG. 11 is a left side elevational view thereof;

D507,559 S \* 7/2005 Sitoh ..... D14/214

FIG. 12 is a right side elevational view thereof;

D542,268 S \* 5/2007 Heath ..... D14/211

FIG. 13 is a top plan view thereof; and,

D576,150 S \* 9/2008 Lim et al. .... D14/211

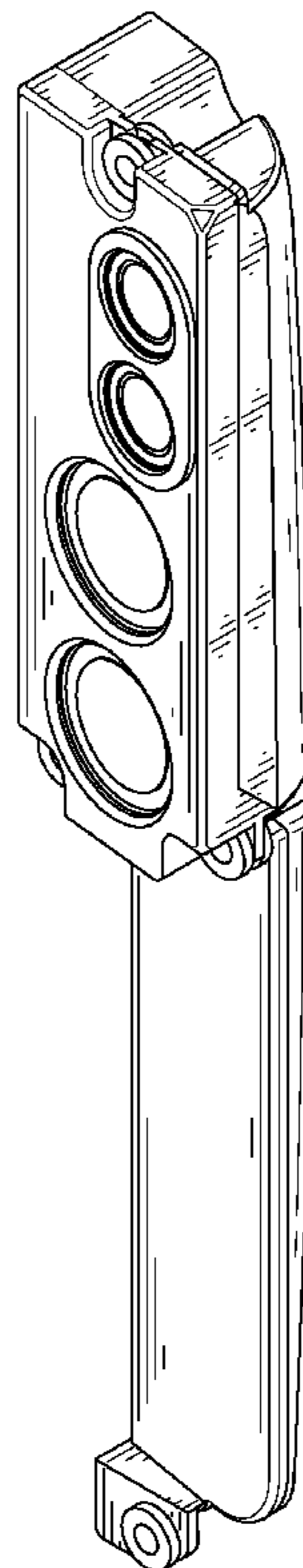
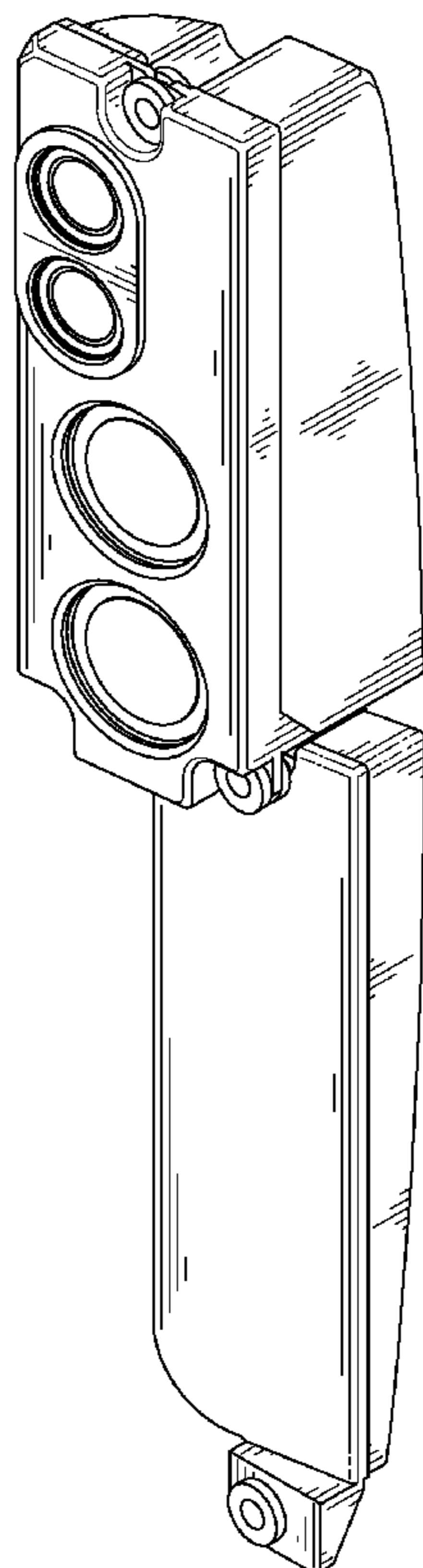
FIG. 14 is a bottom plan view thereof.

D580,913 S \* 11/2008 Omori et al. .... D14/215

\* cited by examiner

*Primary Examiner*—Nanda Bondade

**1 Claim, 14 Drawing Sheets**



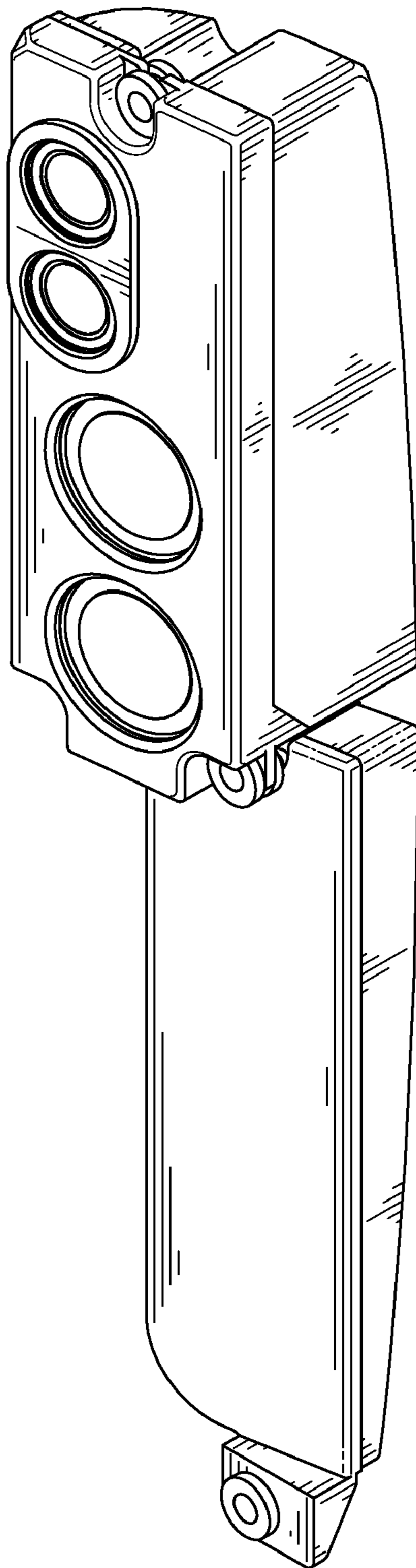


FIG. 1

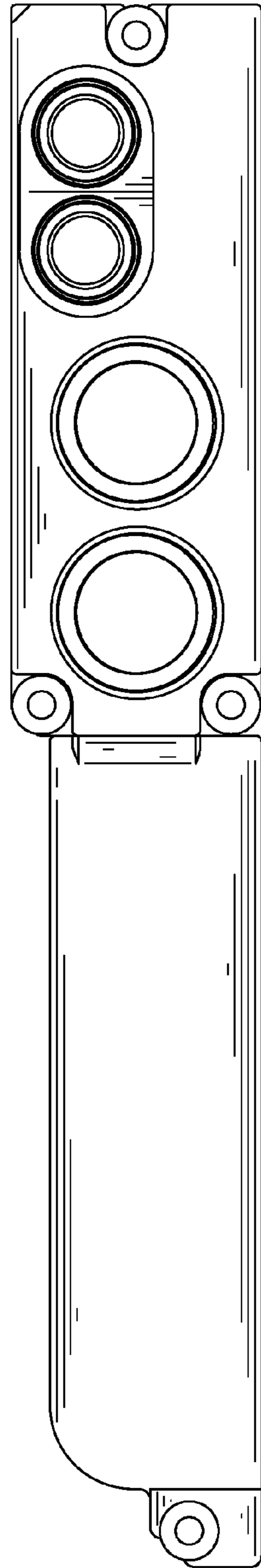


FIG. 2

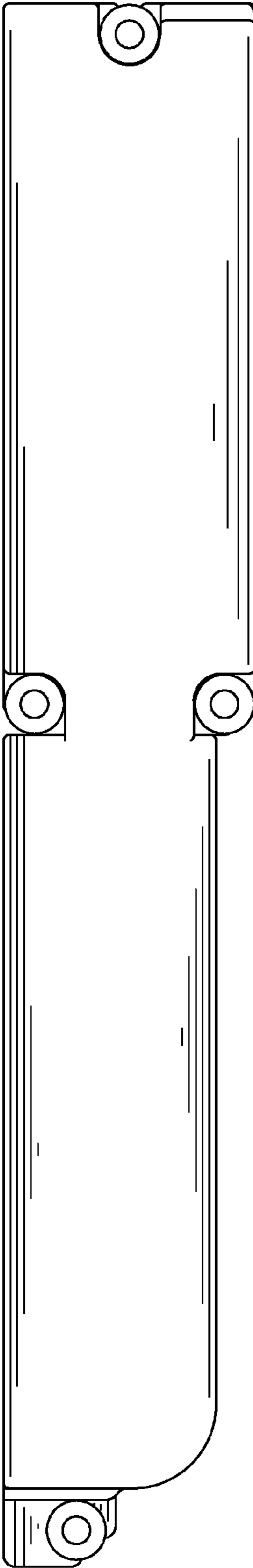


FIG. 3

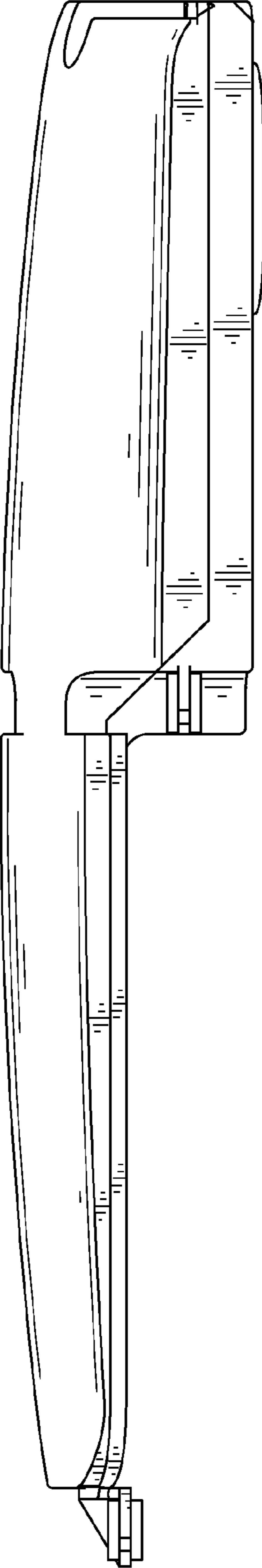


FIG. 4

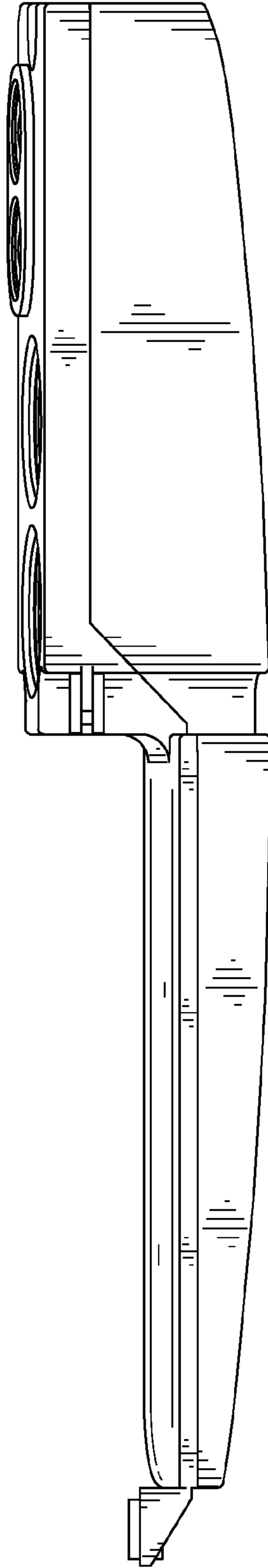


FIG. 5

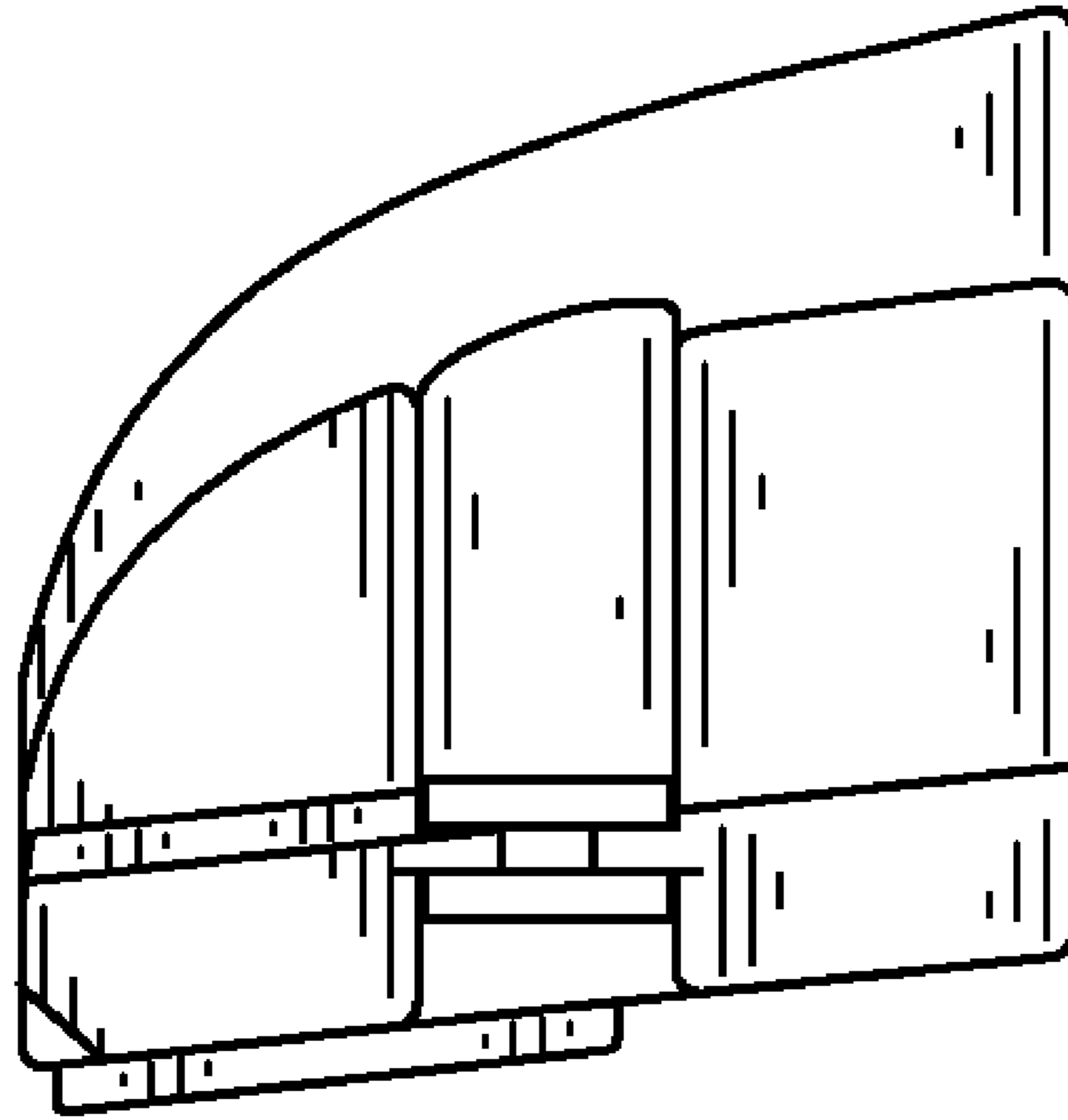


FIG. 6

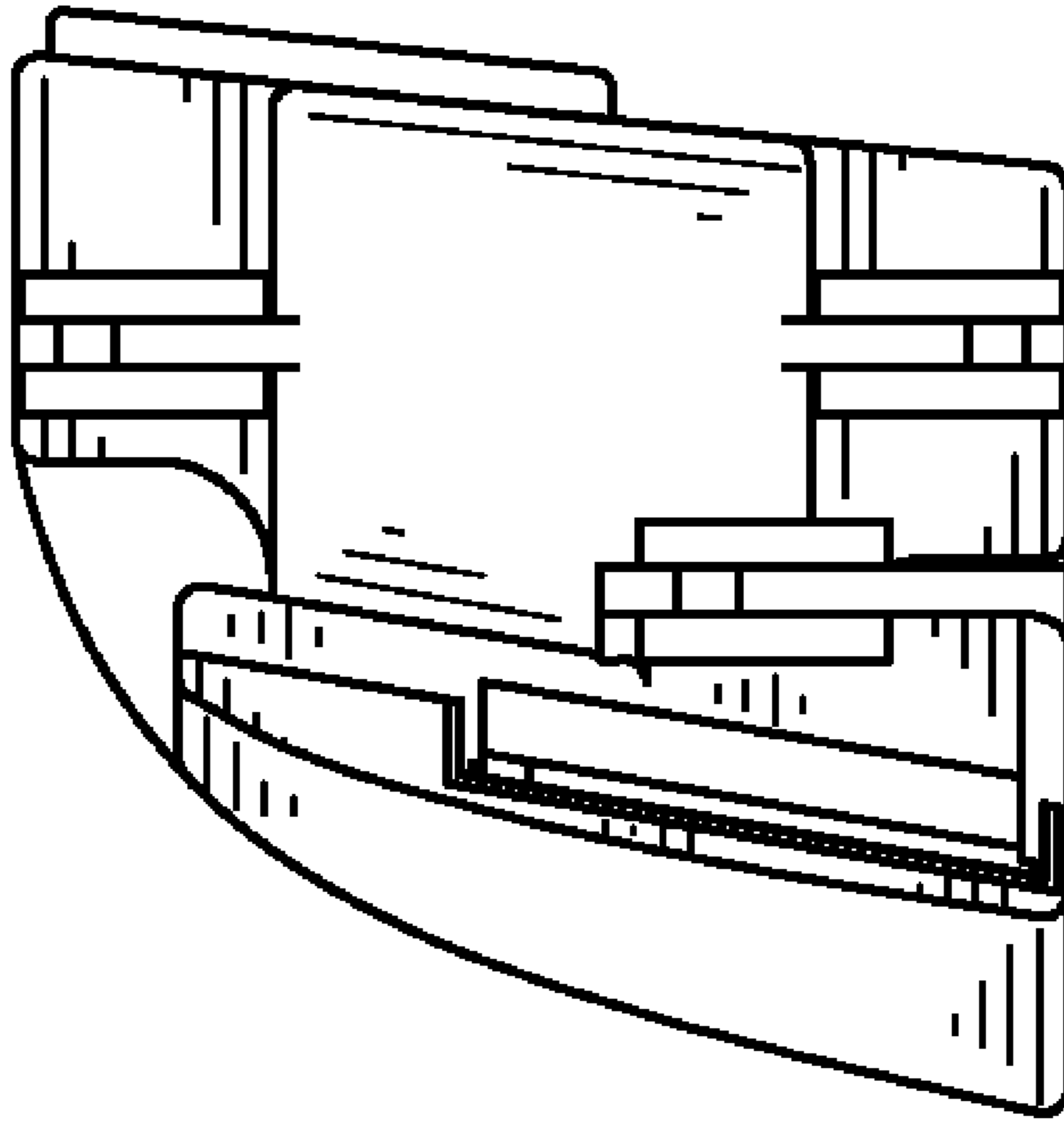


FIG. 7



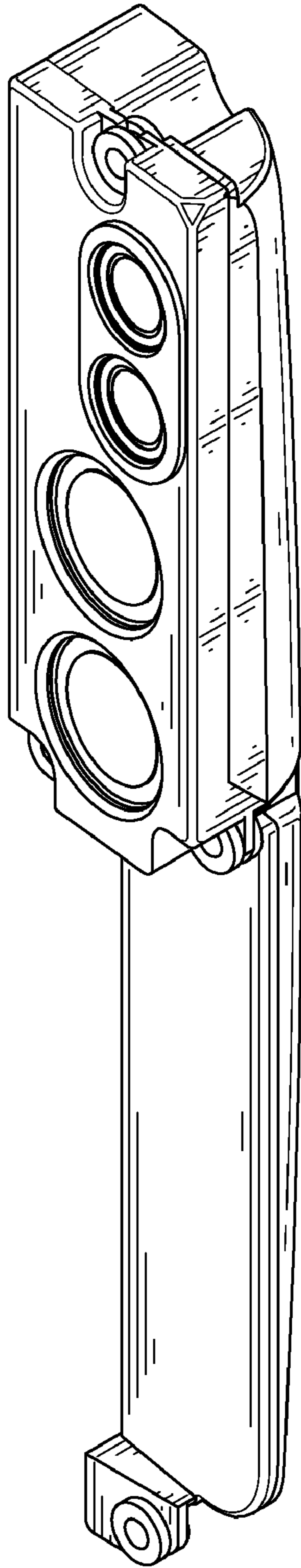


FIG. 8

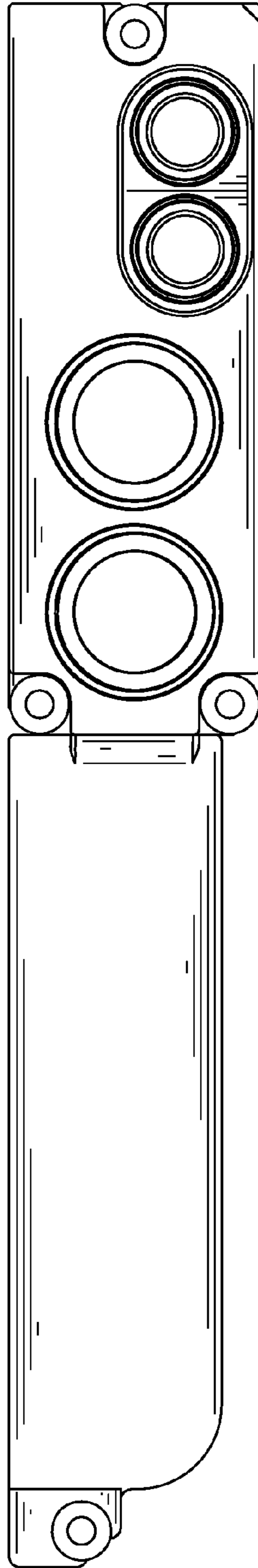


FIG. 9

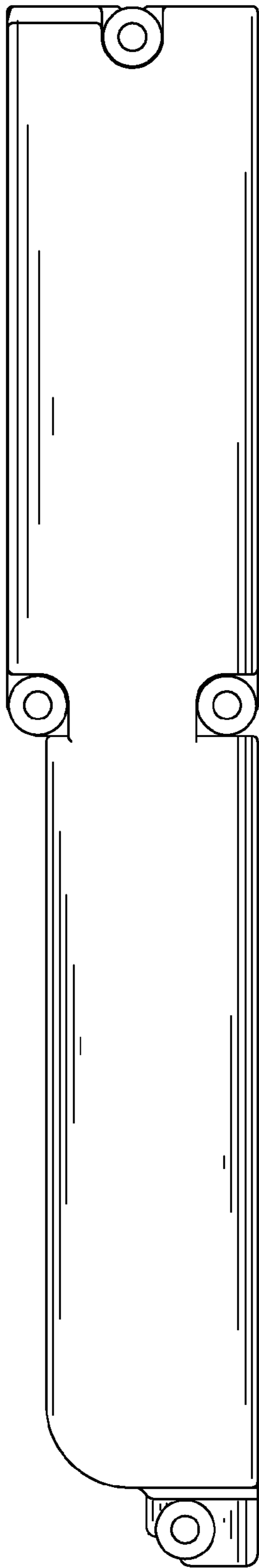


FIG. 10

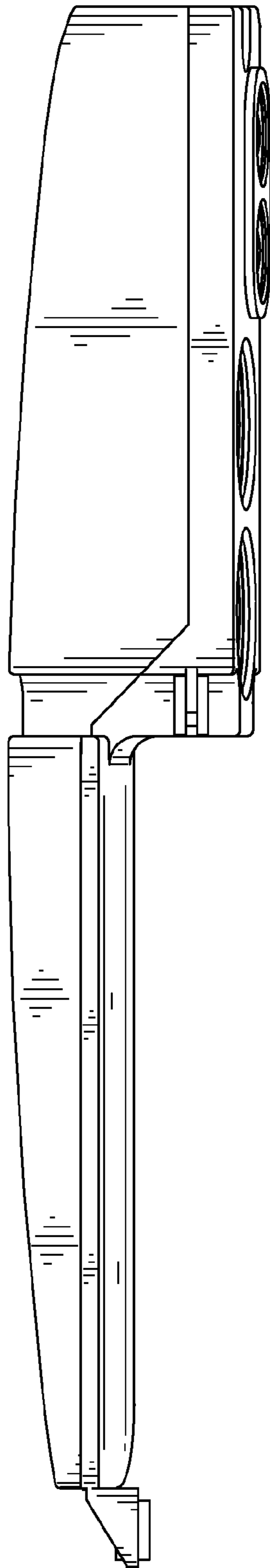


FIG. 11

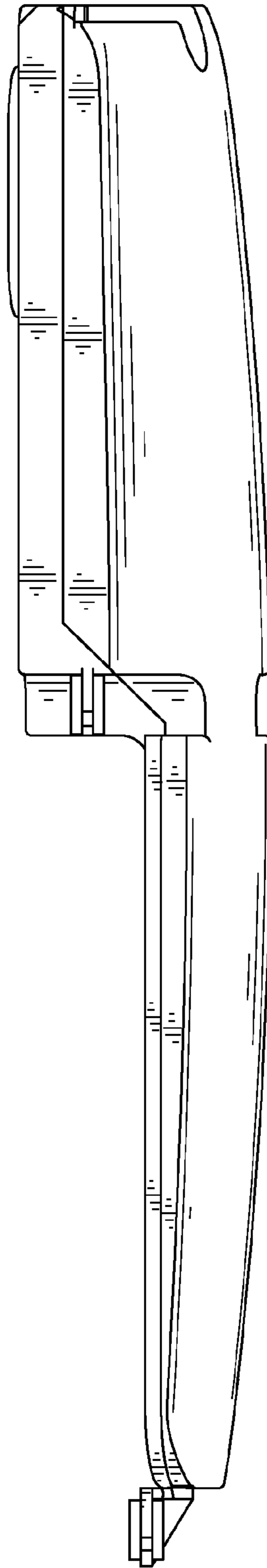


FIG. 12

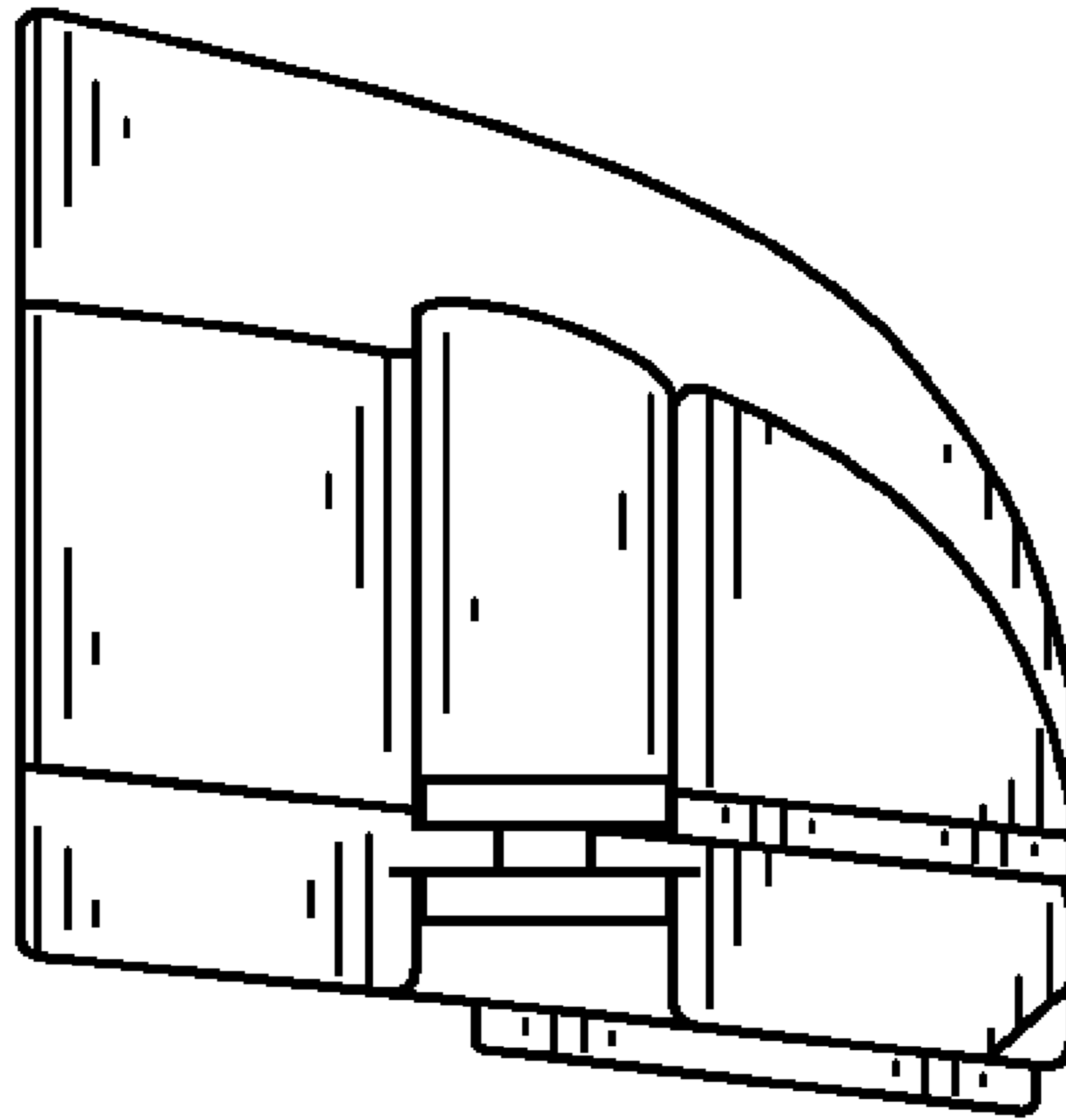


FIG. 13

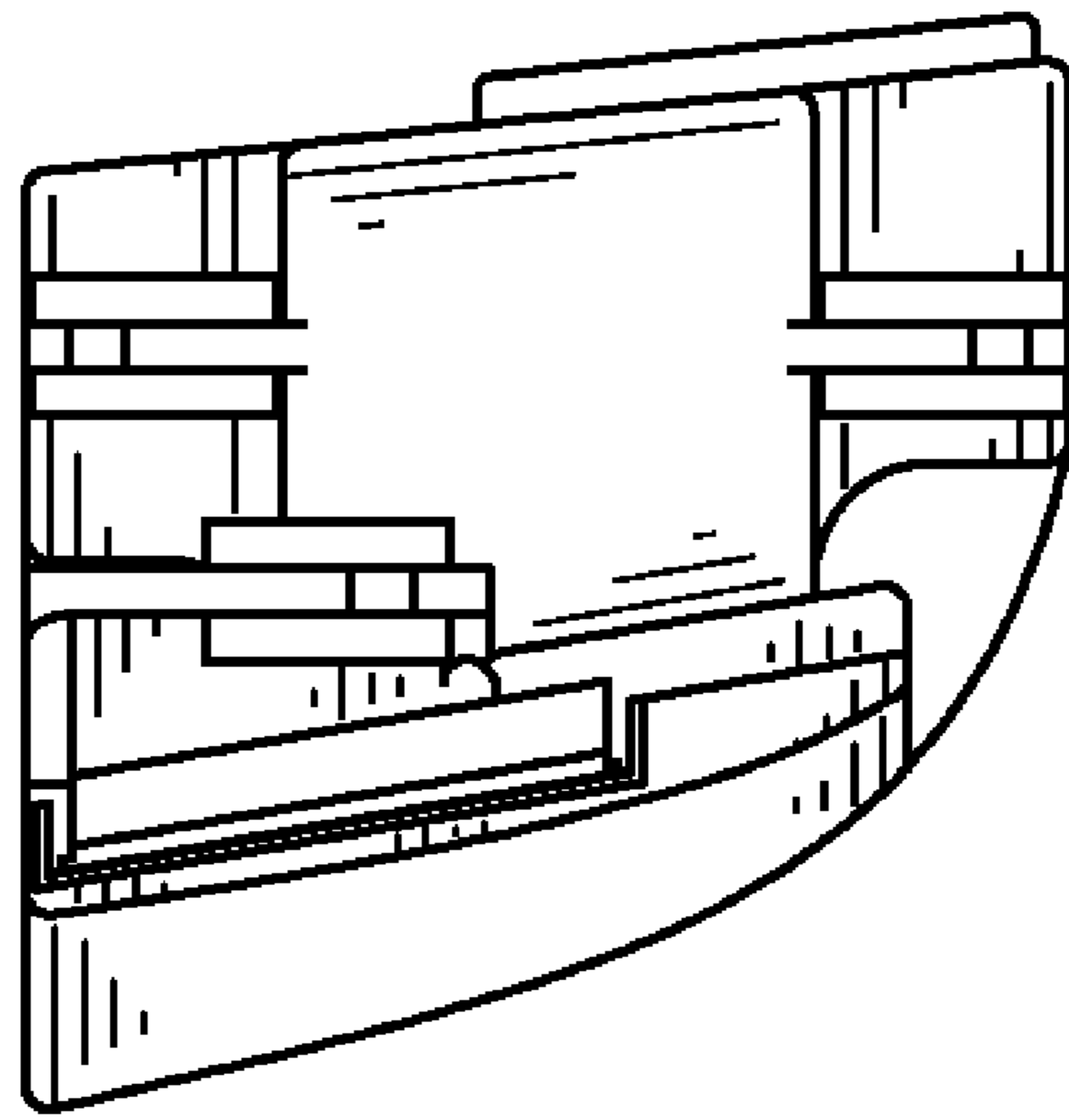


FIG. 14