

US00D606977S

(12) **United States Design Patent**
Privett et al.

(10) **Patent No.:** **US D606,977 S**

(45) **Date of Patent:** **** Dec. 29, 2009**

(54) **LOUDSPEAKERS MOUNTING SYSTEM**

(75) Inventors: **Steve Privett**, Woking (GB); **Kieron Dunk**, Woking (GB)

(73) Assignee: **Armour Home Electronics Ltd.** (GB)

(**) Term: **14 Years**

(21) Appl. No.: **29/321,243**

(22) Filed: **Jul. 14, 2008**

(30) **Foreign Application Priority Data**

Apr. 28, 2008 (EP) 000925706-0001

(51) **LOC (9) Cl.** **14-01**

(52) **U.S. Cl.** **D14/214; D14/224**

(58) **Field of Classification Search** D14/204,
D14/214-215, 221, 224, 239, 451; D8/349,
D8/363, 373, 388; 104/162; 248/57, 274.1,
248/292.14, 298.1, 221.11, 309.1, 267; 381/386
See application file for complete search history.

(56) **References Cited**

U.S. PATENT DOCUMENTS

D292,917 S * 11/1987 Thomasen D14/224

4,717,099 A * 1/1988 Hubbard 248/57

6,837,168 B1 * 1/2005 Goldbeck et al. 104/162

6,905,101 B1 * 6/2005 Dittmer 248/274.1

7,130,432 B2 * 10/2006 Lee et al. 381/87

7,140,584 B2 * 11/2006 Bourque et al. 248/274.1

* cited by examiner

Primary Examiner—Nanda Bondade

(74) *Attorney, Agent, or Firm*—McKee, Voorhees & Sease, P.L.C.

(57) **CLAIM**

We claim the ornamental design for a loudspeakers mounting system, substantially as shown.

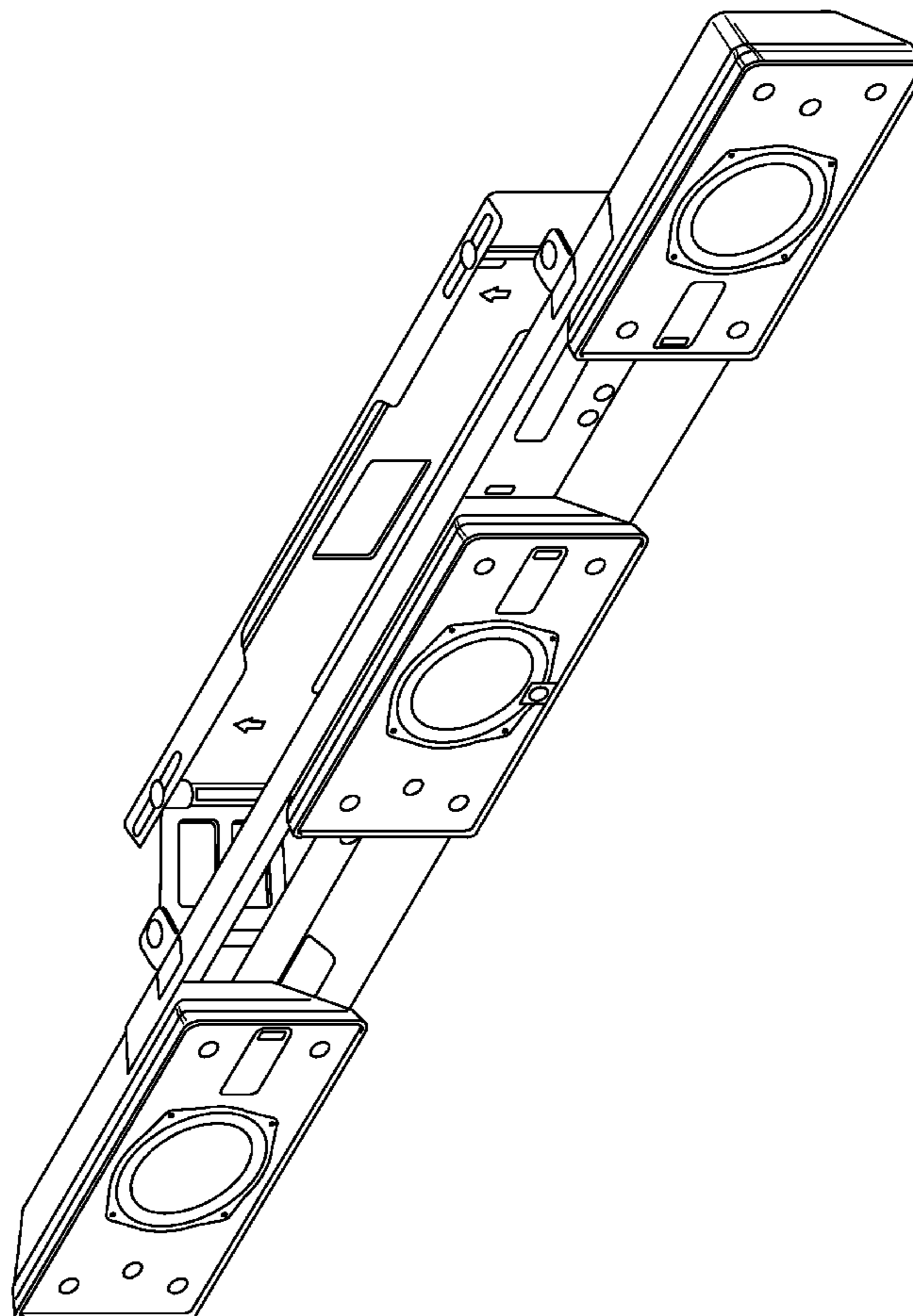
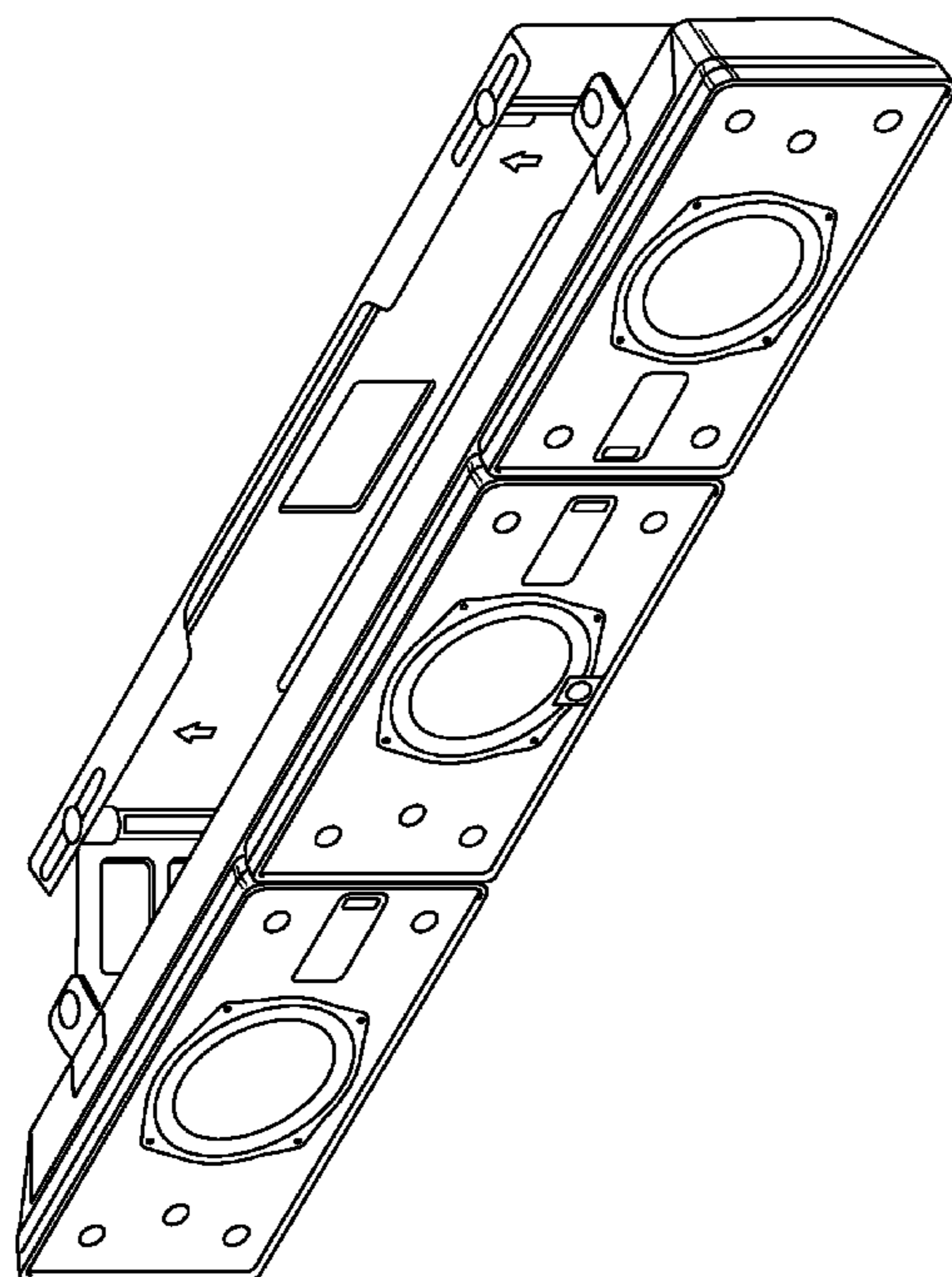
DESCRIPTION

FIG. 1 is a perspective view of the loudspeakers mounting system.

FIG. 2 is a perspective view thereof, showing the bracket expanded; and,

FIG. 3 is a top view of FIG. 2.

1 Claim, 3 Drawing Sheets



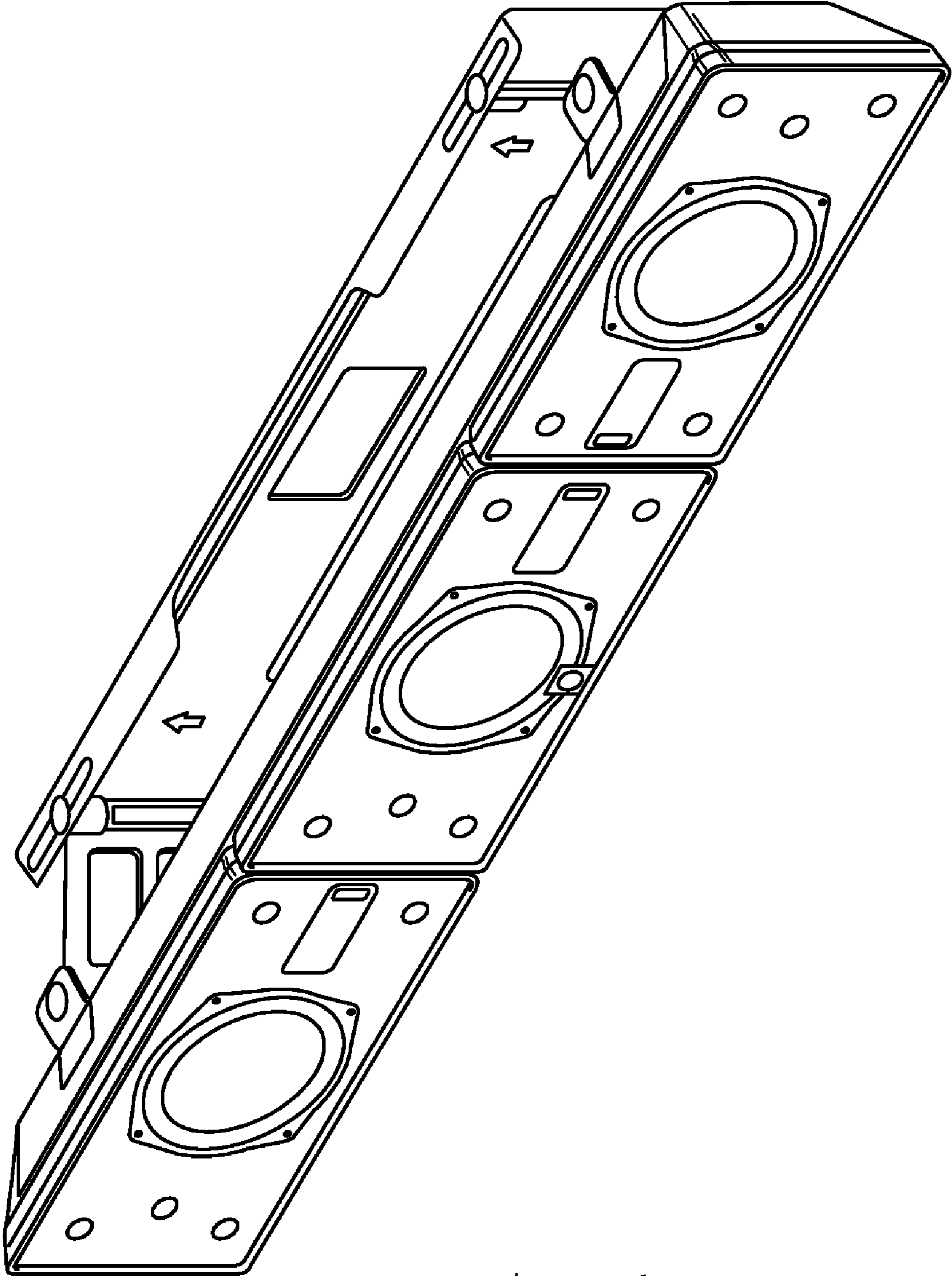


Figure 1

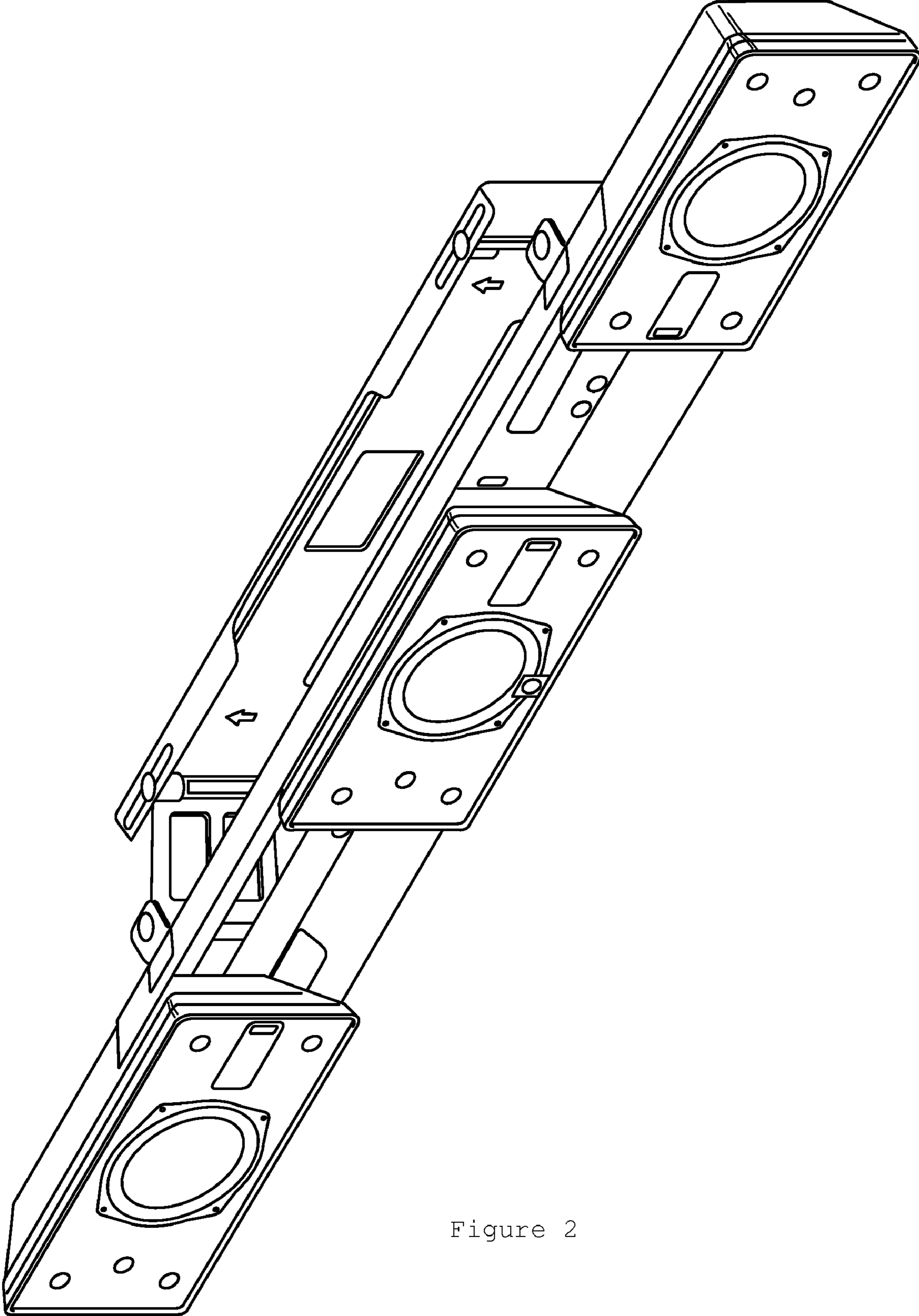


Figure 2

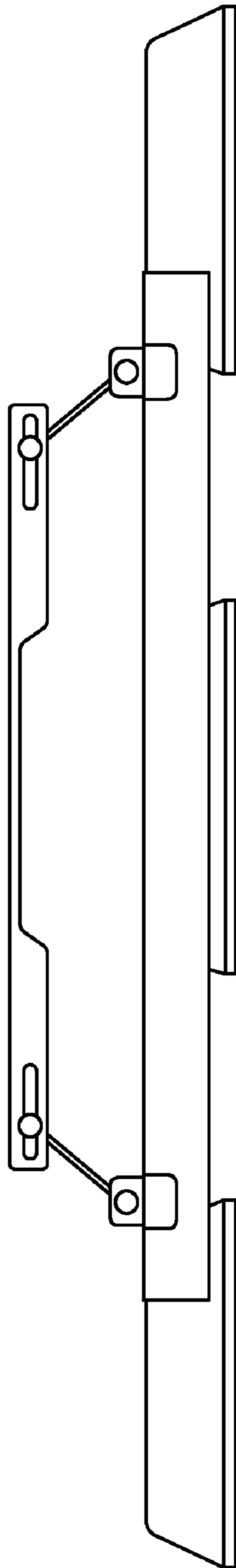


Figure 3