



US00D606976S

(12) **United States Design Patent**
Privett et al.

(10) **Patent No.:** **US D606,976 S**

(45) **Date of Patent:** **** Dec. 29, 2009**

(54) **SPEAKERS MOUNTING SYSTEM**

(75) Inventors: **Steve Privett**, Woking (GB); **Kieron Dunk**, Woking (GB)

(73) Assignee: **Armour Home Electronics Ltd.** (GB)

(**) Term: **14 Years**

(21) Appl. No.: **29/321,240**

(22) Filed: **Jul. 14, 2008**

(30) **Foreign Application Priority Data**

Apr. 28, 2008 (EP) 000925706-0002

(51) **LOC (9) Cl.** **14-01**

(52) **U.S. Cl.** **D14/214; D14/224**

(58) **Field of Classification Search** D14/204,
D14/214, 221, 224, 239, 451; D8/349, 363,
D8/373, 388; 104/162; 248/57, 274.1, 292.14,
248/298.1, 221.11, 309.1, 267; 381/386
See application file for complete search history.

(56) **References Cited**

U.S. PATENT DOCUMENTS

D292,917 S * 11/1987 Thomasen D14/224

4,717,099 A * 1/1988 Hubbard 248/57
6,837,168 B1 * 1/2005 Goldbeck et al. 104/162
6,905,101 B1 * 6/2005 Dittmer 248/274.1
7,130,432 B2 * 10/2006 Lee et al. 381/87
7,140,584 B2 * 11/2006 Bourque et al. 248/274.1

* cited by examiner

Primary Examiner—Nanda Bondade

(74) *Attorney, Agent, or Firm*—McKee, Voorhees & Sease, P.L.C.

(57) **CLAIM**

We claim the ornamental design for a speakers mounting system, substantially as shown.

DESCRIPTION

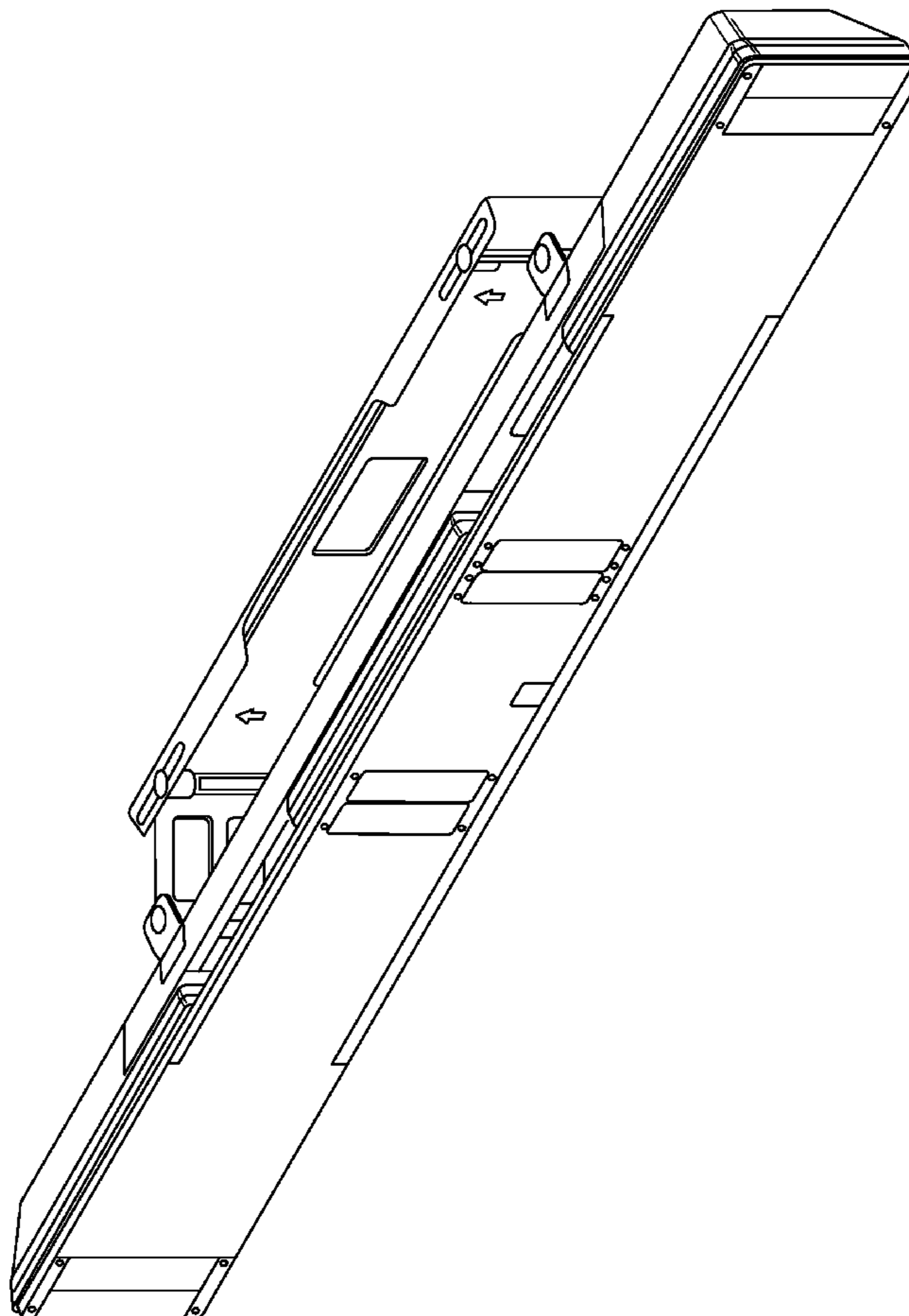
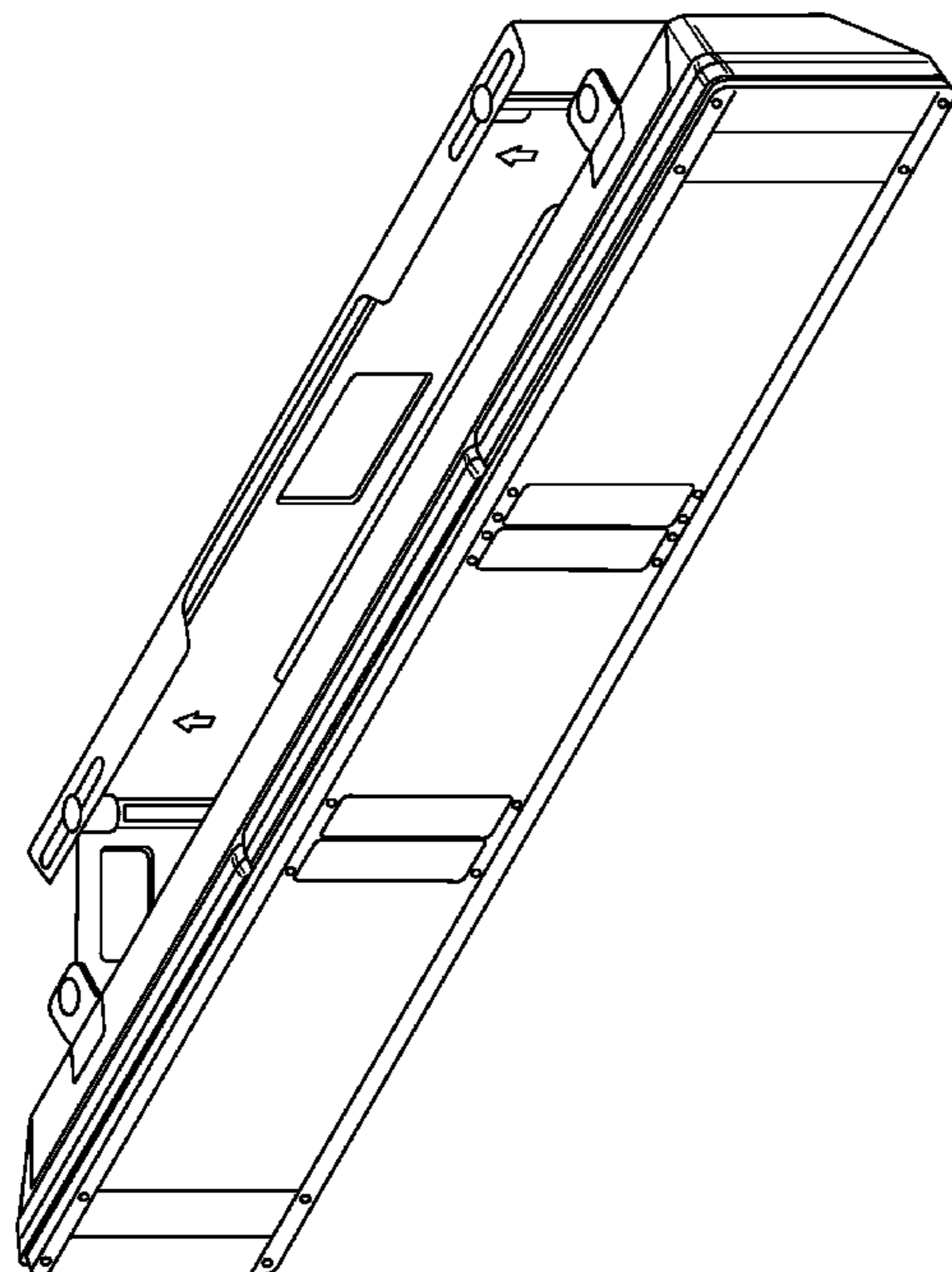
FIG. 1 is a perspective view of the speakers mounting system.

FIG. 2 is a perspective view thereof, showing the bracket expanded;

FIG. 3 is a top view of FIG. 1; and,

FIG. 4 is a top view of FIG. 2.

1 Claim, 4 Drawing Sheets



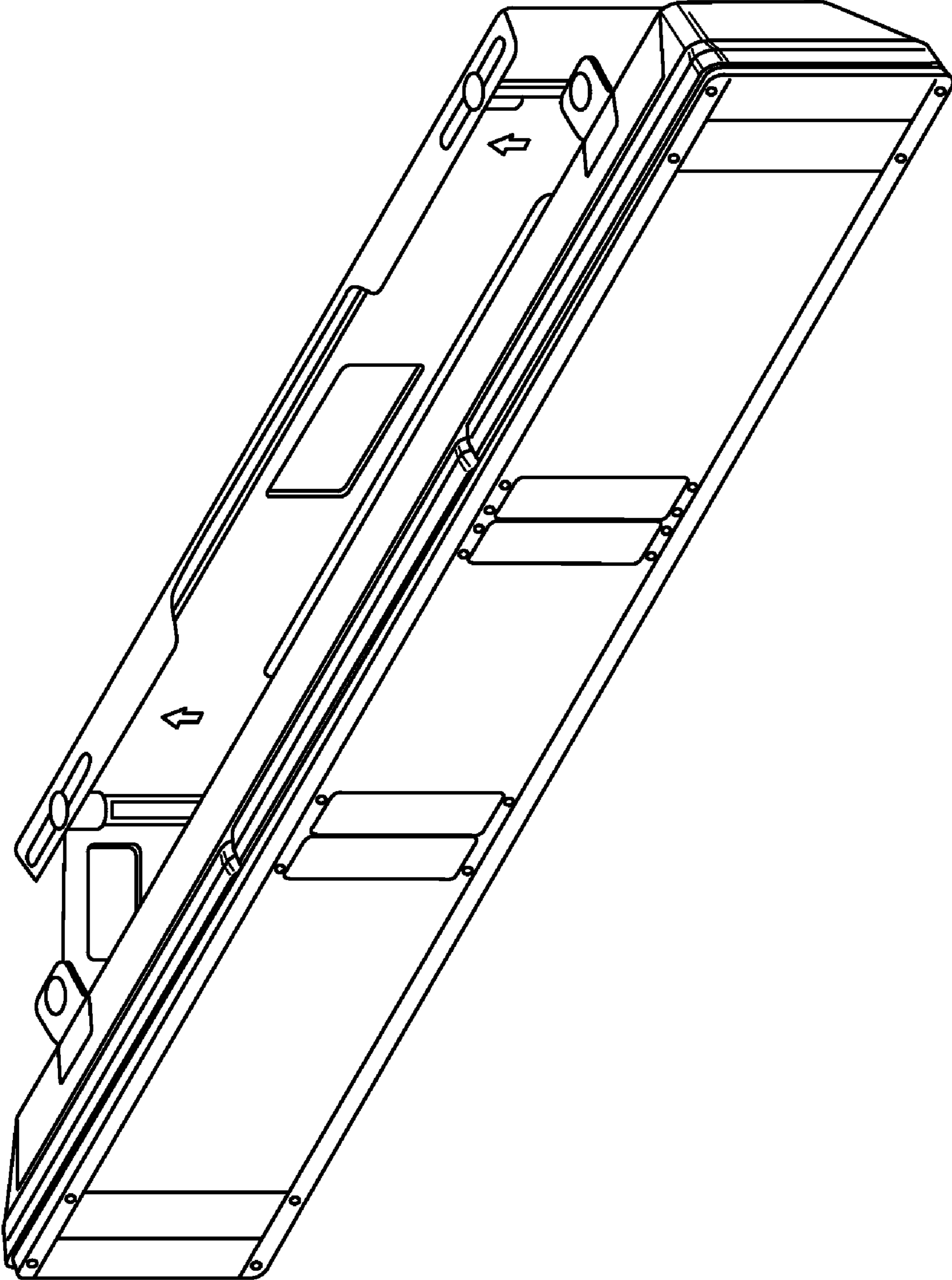


Figure 1

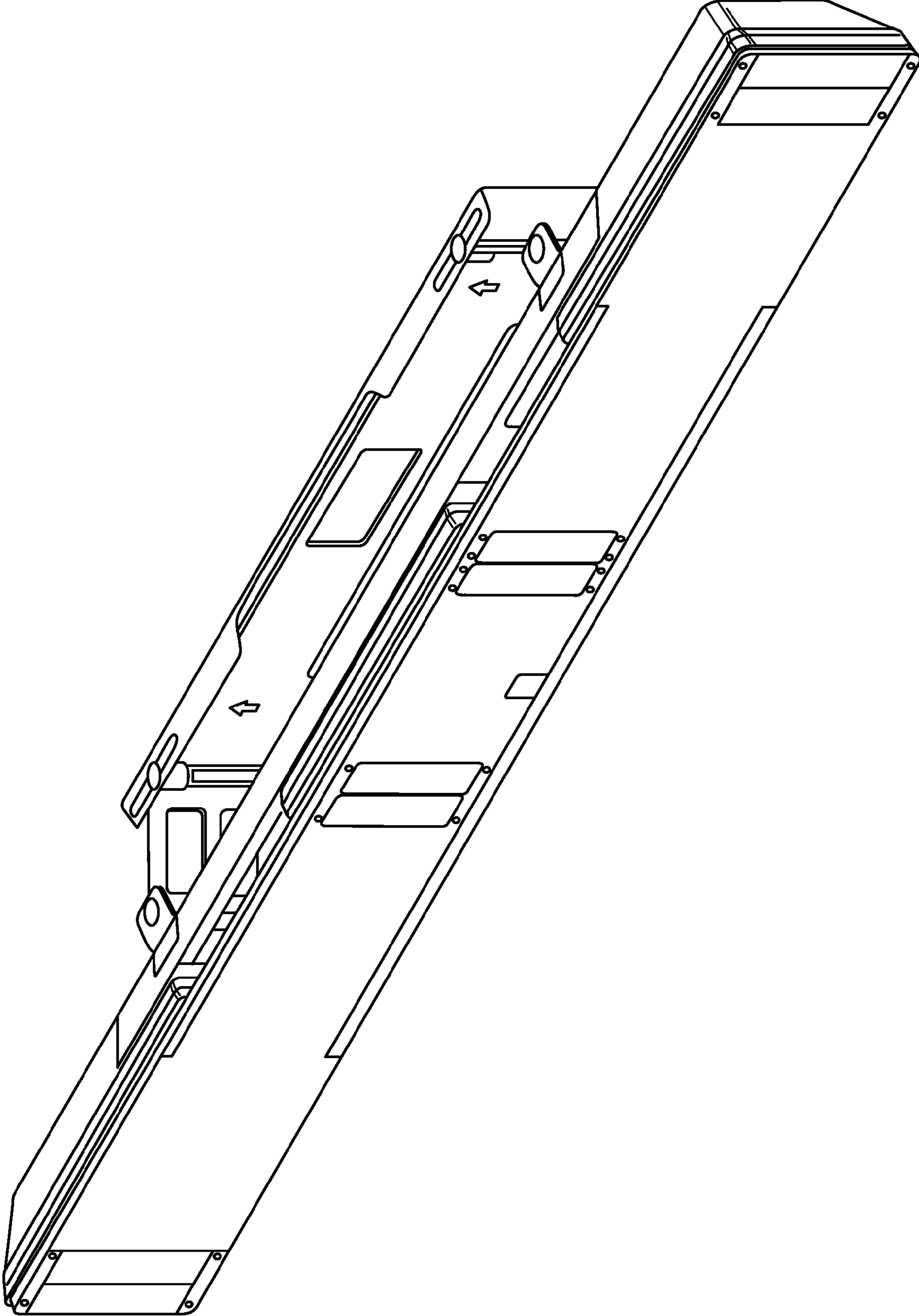


Figure 2

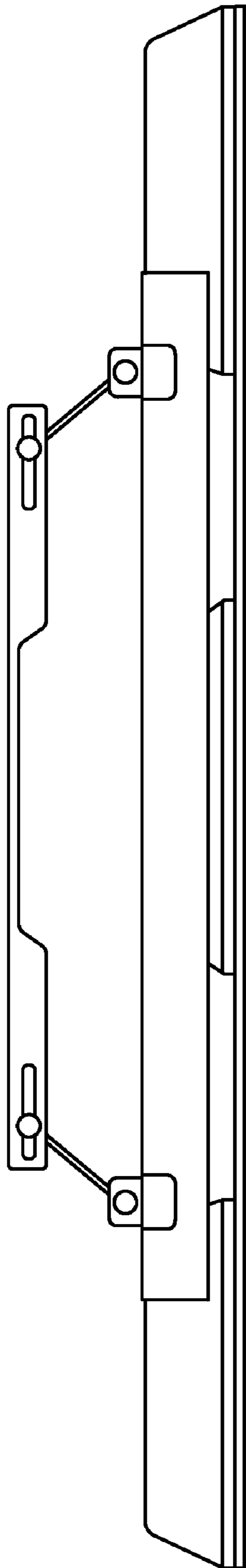


Figure 3

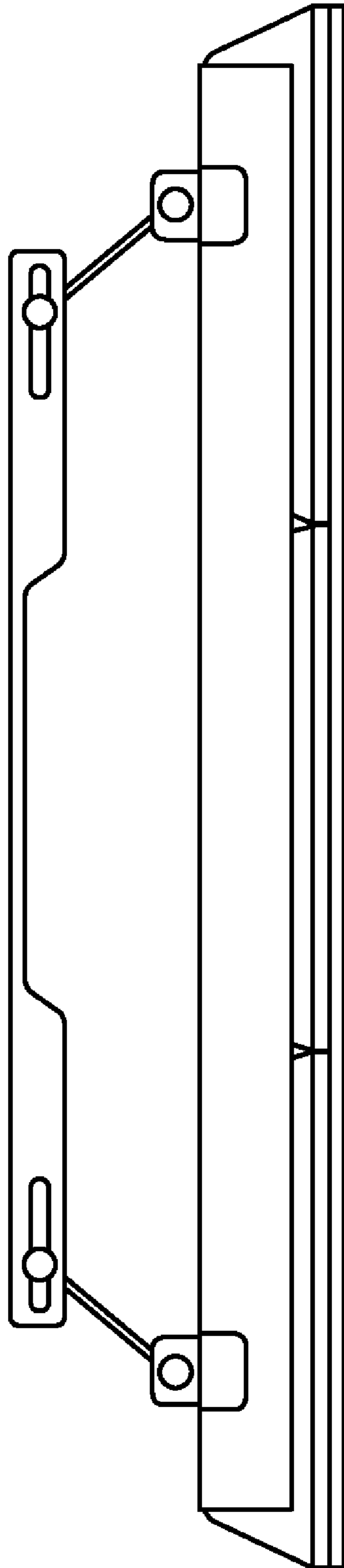


Figure 4