

US00D606974S

(12) **United States Design Patent**  
**Cho et al.**

(10) **Patent No.:** **US D606,974 S**

(45) **Date of Patent:** **\*\* Dec. 29, 2009**

(54) **LOUDSPEAKER**

(75) Inventors: **Mei San Gigi Cho**, Singapore (SG);  
**Kian Choon Janie Lim**, Singapore  
(SG); **Yu Weng Alvin Sitoh**, Singapore  
(SG)

(73) Assignee: **Creative Technology Ltd**, Singapore  
(SG)

(\*\*) Term: **14 Years**

(21) Appl. No.: **29/305,284**

(22) Filed: **Mar. 17, 2008**

(51) **LOC (9) Cl.** ..... **14-01**

(52) **U.S. Cl.** ..... **D14/211**

(58) **Field of Classification Search** ..... D14/204,  
D14/210–216, 172; 181/143–144, 147–148,  
181/150–153, 157, 198–199; 381/300–303,  
381/306, 332–333, 336, 345, 361–364, 386–388  
See application file for complete search history.

(56) **References Cited**

**U.S. PATENT DOCUMENTS**

D391,574 S \* 3/1998 Chen ..... D14/211  
D462,066 S \* 8/2002 Mayette et al. .... D14/214  
D483,026 S \* 12/2003 Koskinen ..... D14/211  
D515,555 S \* 2/2006 Liang ..... D14/211

D541,789 S \* 5/2007 Carbone et ..... D14/211

\* cited by examiner

*Primary Examiner*—Nanda Bondade

(74) *Attorney, Agent, or Firm*—Kennedy Koblin

(57) **CLAIM**

The ornamental design for a loudspeaker, substantially as shown and described.

**DESCRIPTION**

FIG. 1 is a perspective view of the loudspeaker, including a translucent fabric mesh over the face of the loudspeaker, in accordance with the present design;

FIG. 2 is a perspective view thereof, with the mesh removed;

FIG. 3 is a front view of the loudspeaker shown in FIG. 2;

FIG. 4 is a back view of the loudspeaker shown in FIG. 1;

FIG. 5 is a left side view of the loudspeaker shown in FIG. 1;

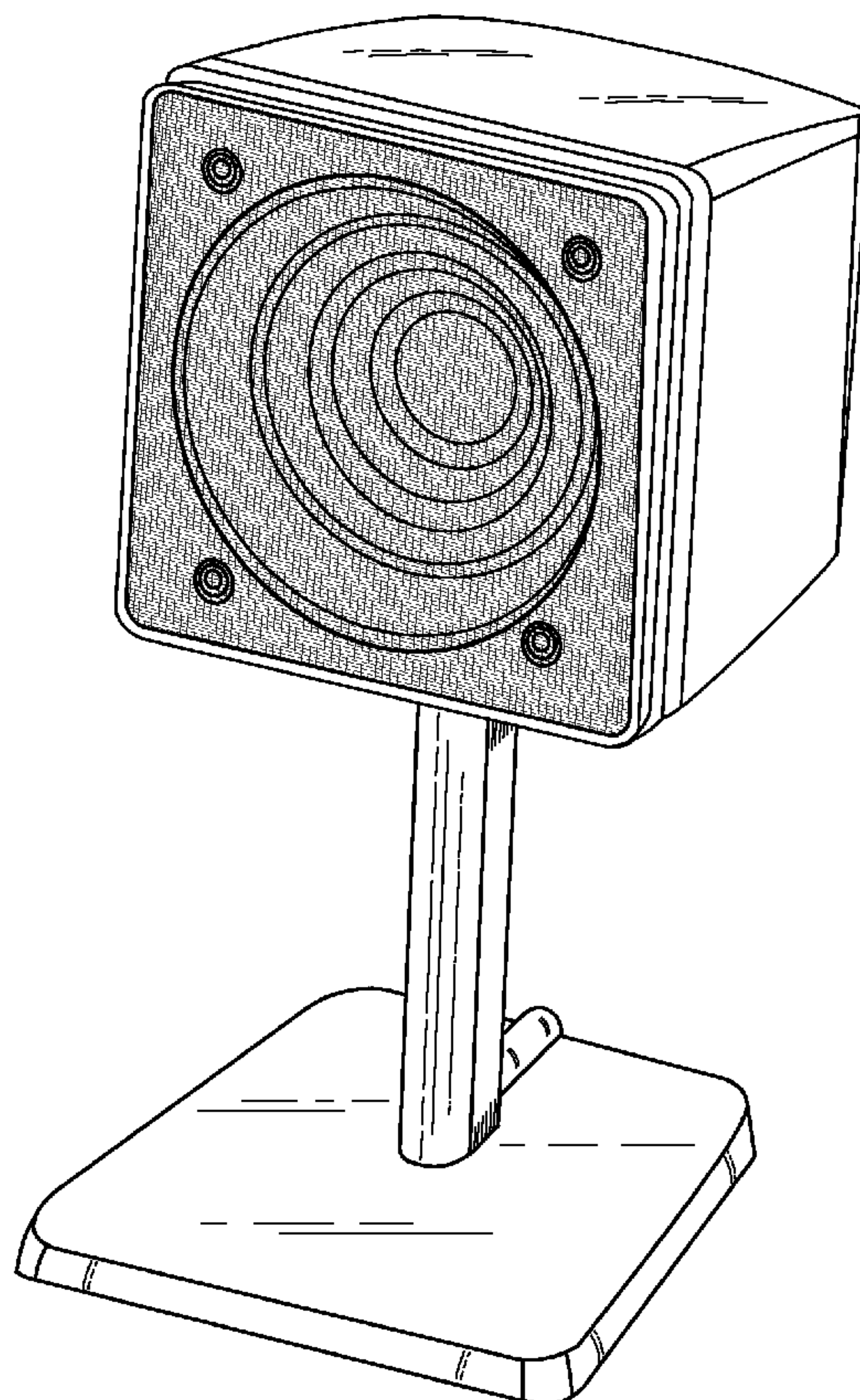
FIG. 6 is a right side view of the loudspeaker shown in FIG. 1;

FIG. 7 is a top view of the loudspeaker shown in FIG. 1;

FIG. 8 is a bottom view of the loudspeaker shown in FIG. 1; and,

FIG. 9 is a cross sectional view of the loudspeaker column taken along the line 9—9 in the FIG. 5 drawing view, in enlarged scale.

**1 Claim, 5 Drawing Sheets**



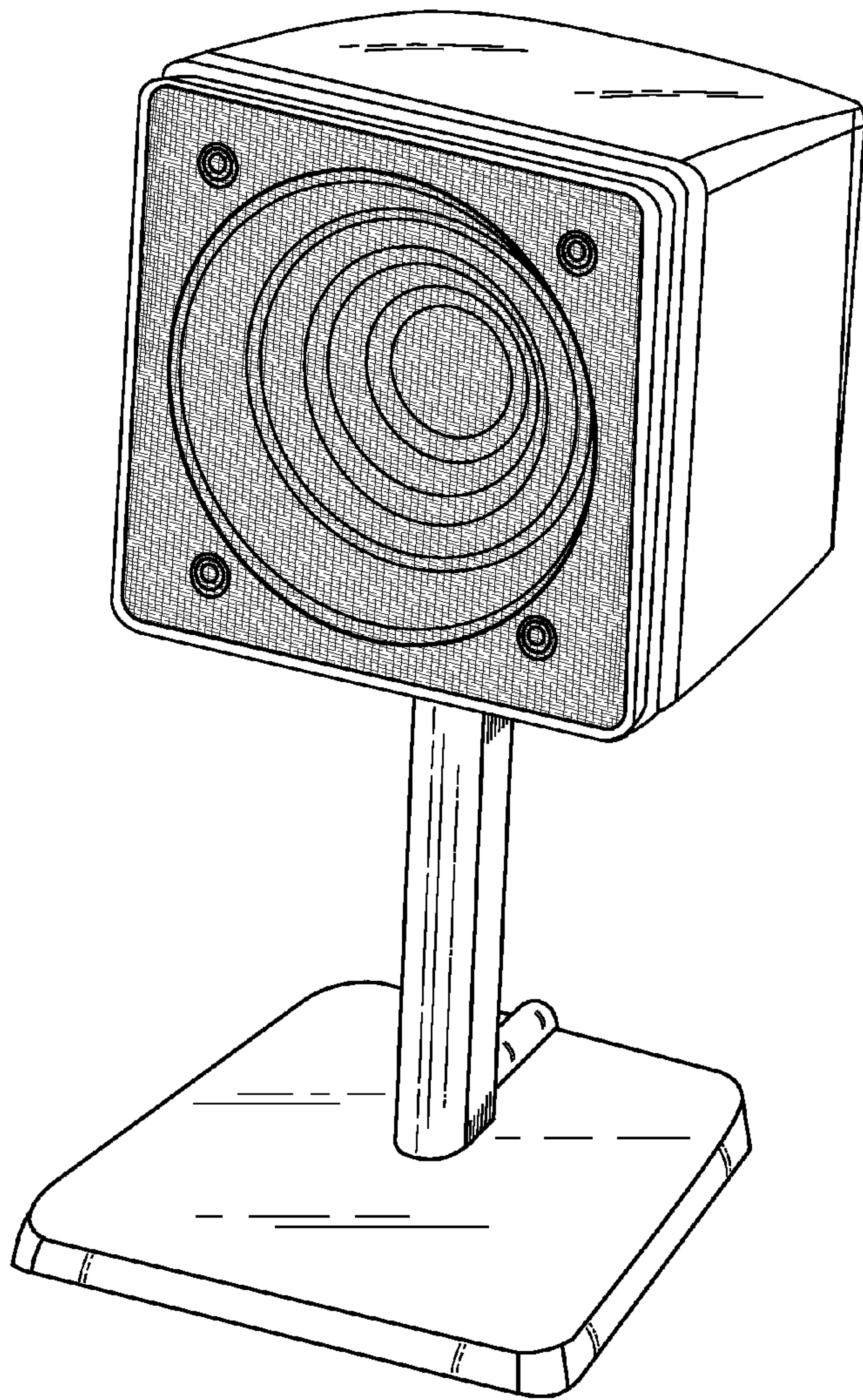


FIG. 1

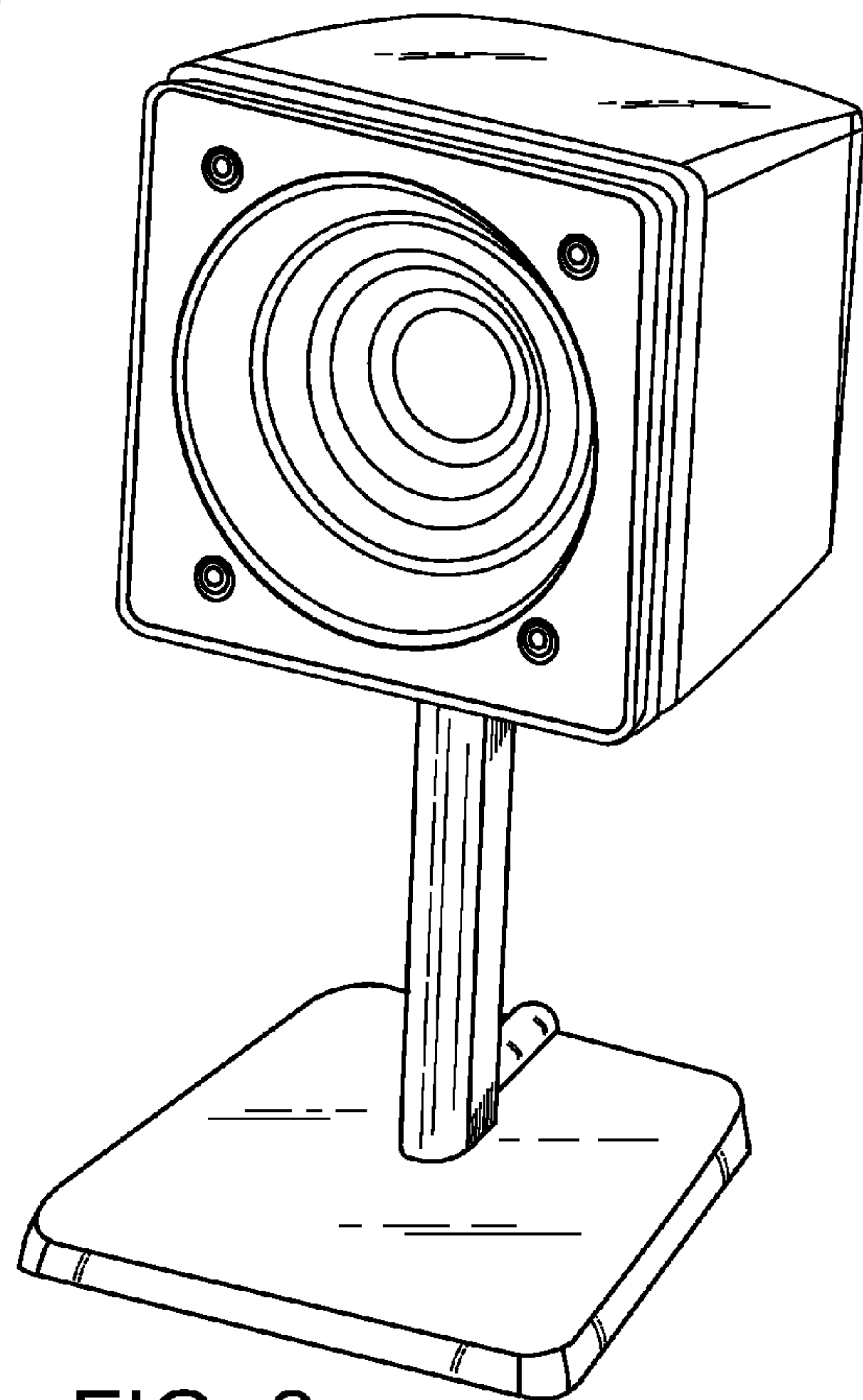


FIG. 2

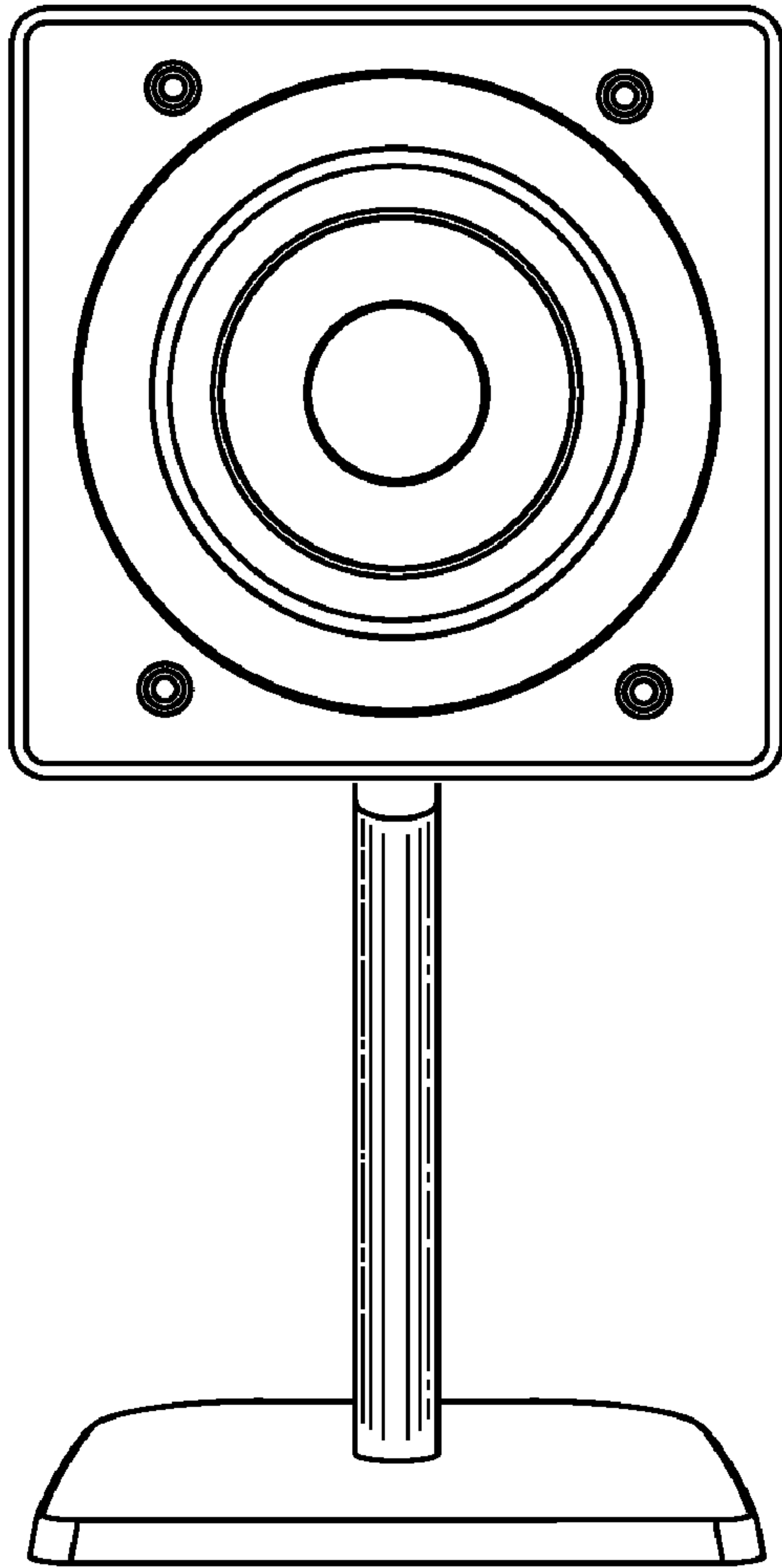


FIG. 3

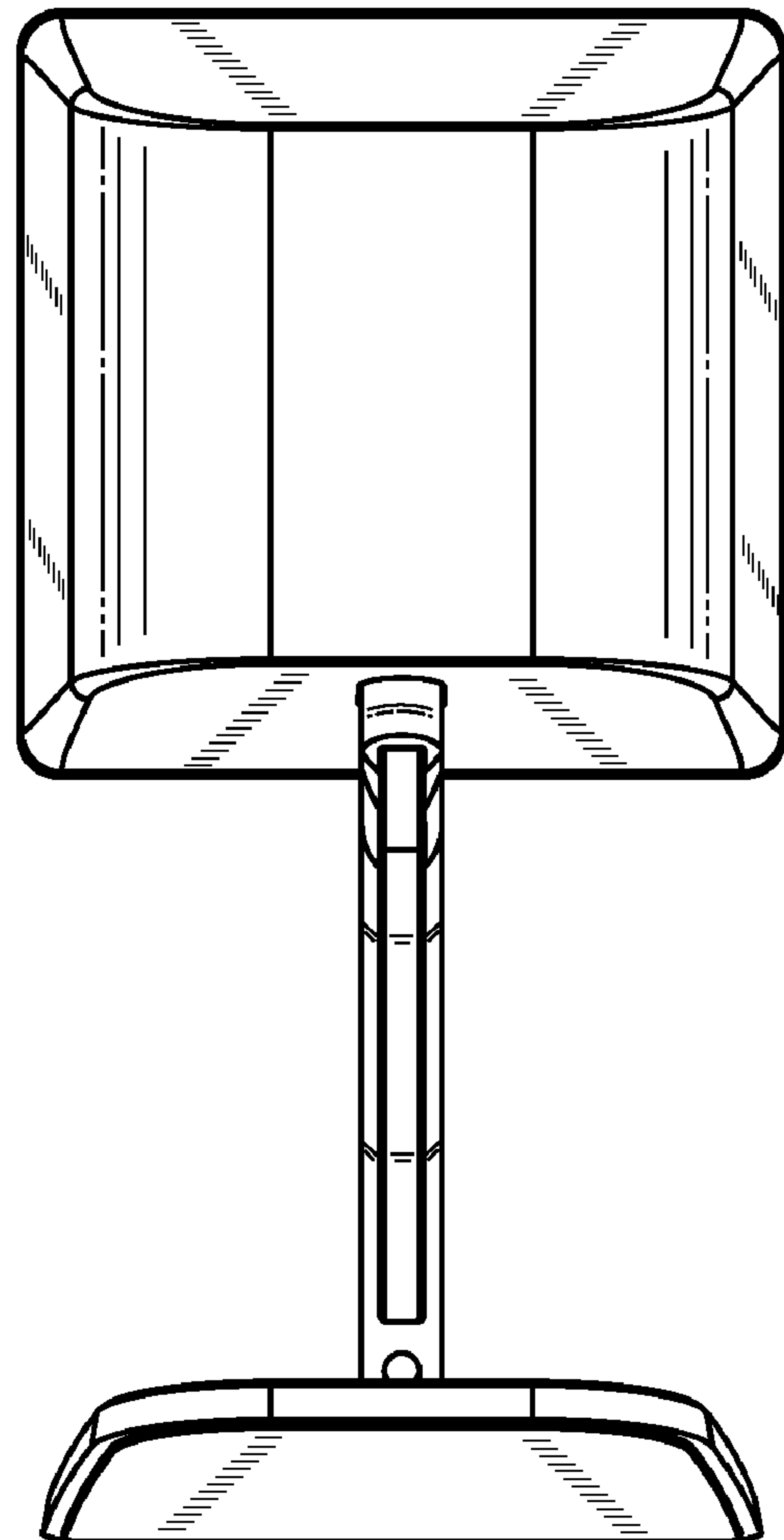


FIG. 4

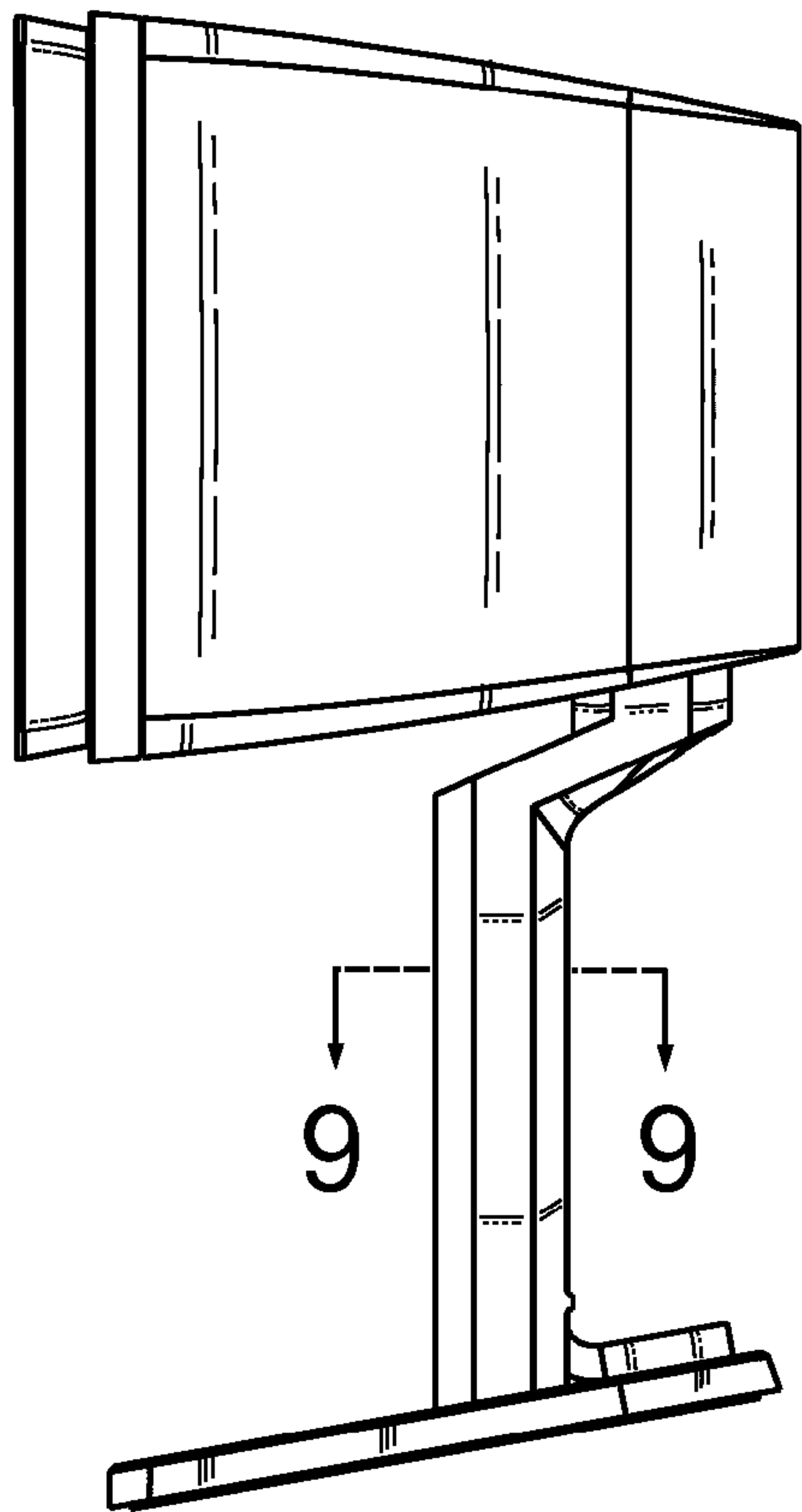


FIG. 5

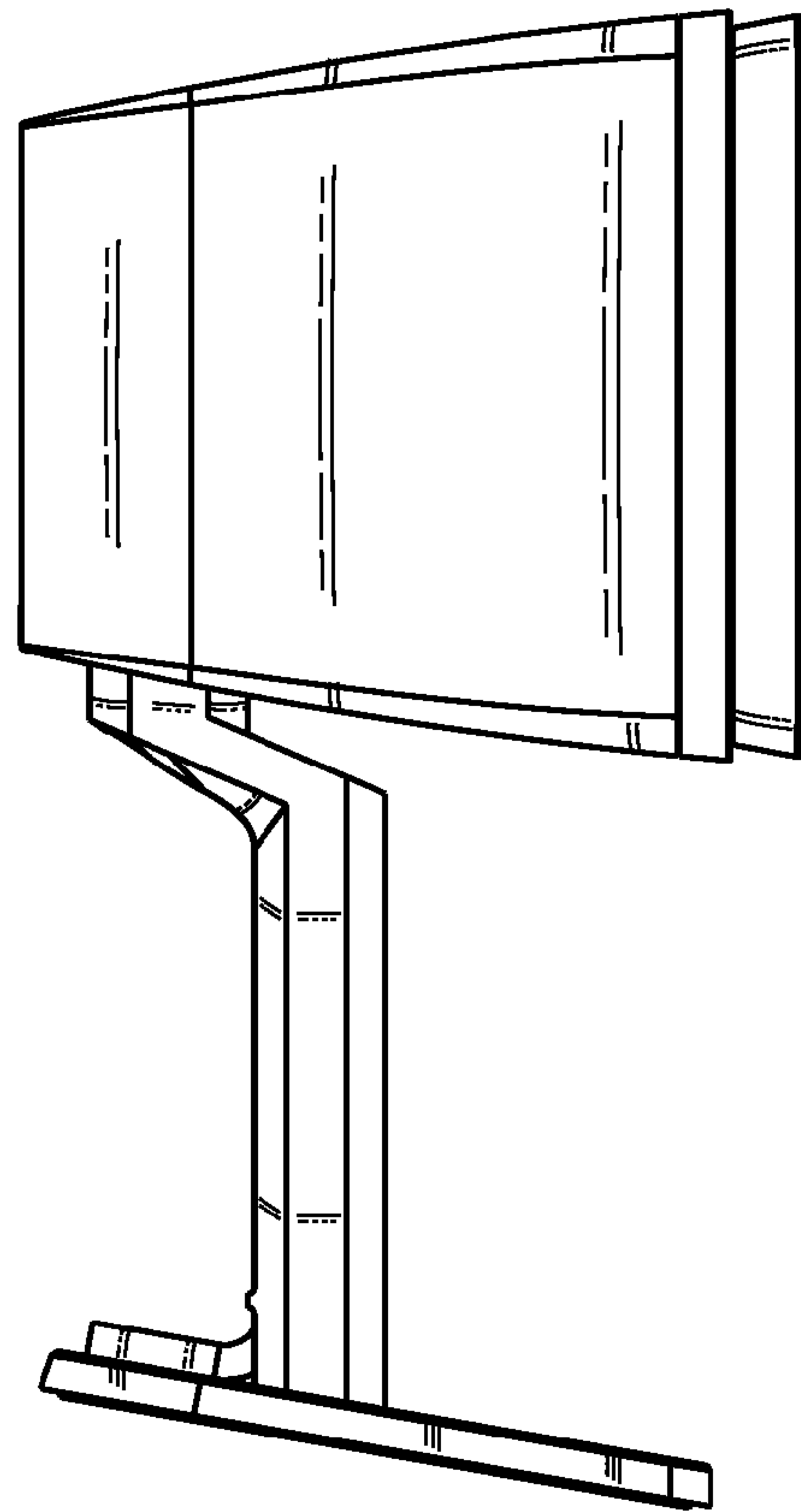


FIG. 6



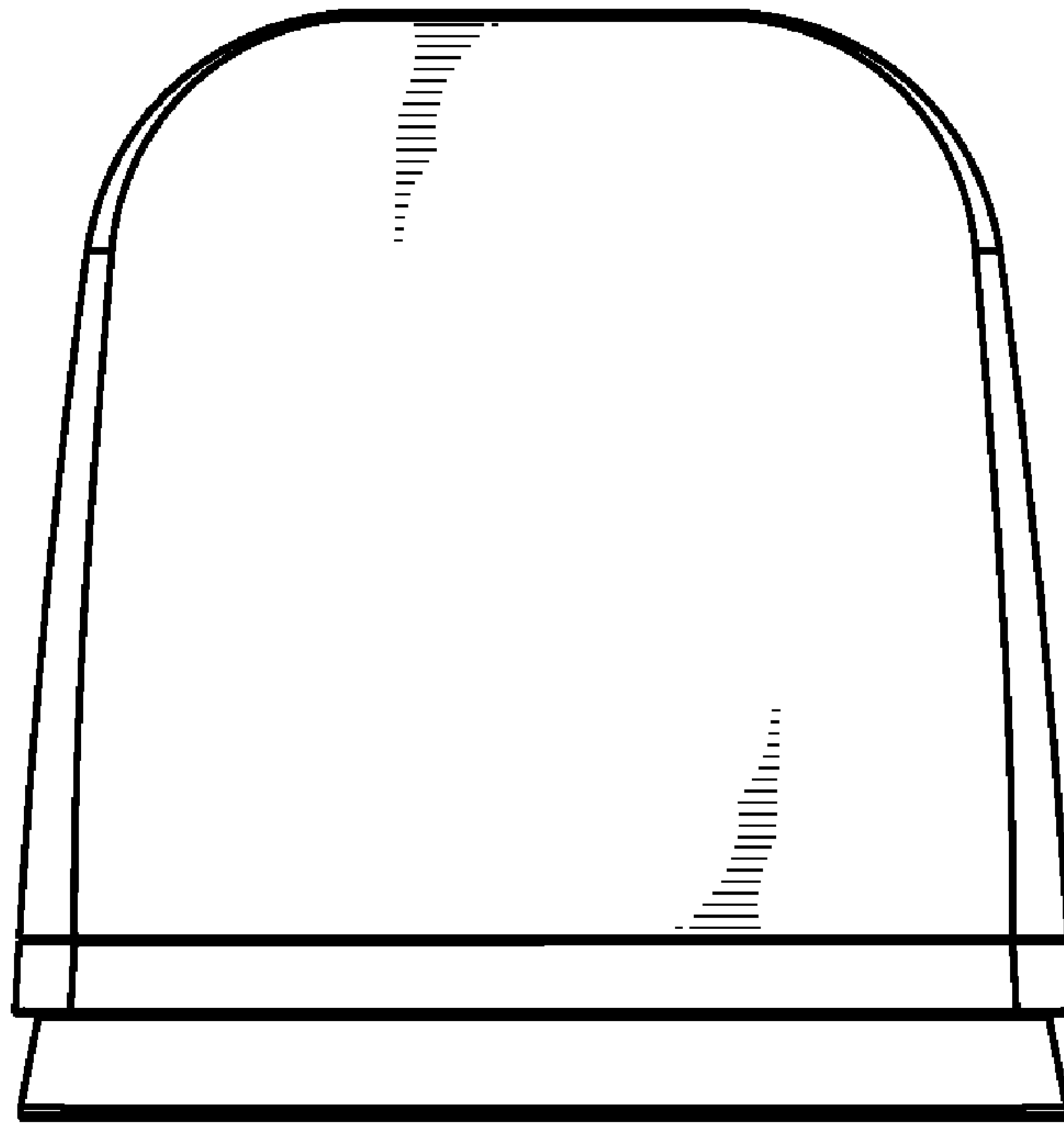


FIG. 7

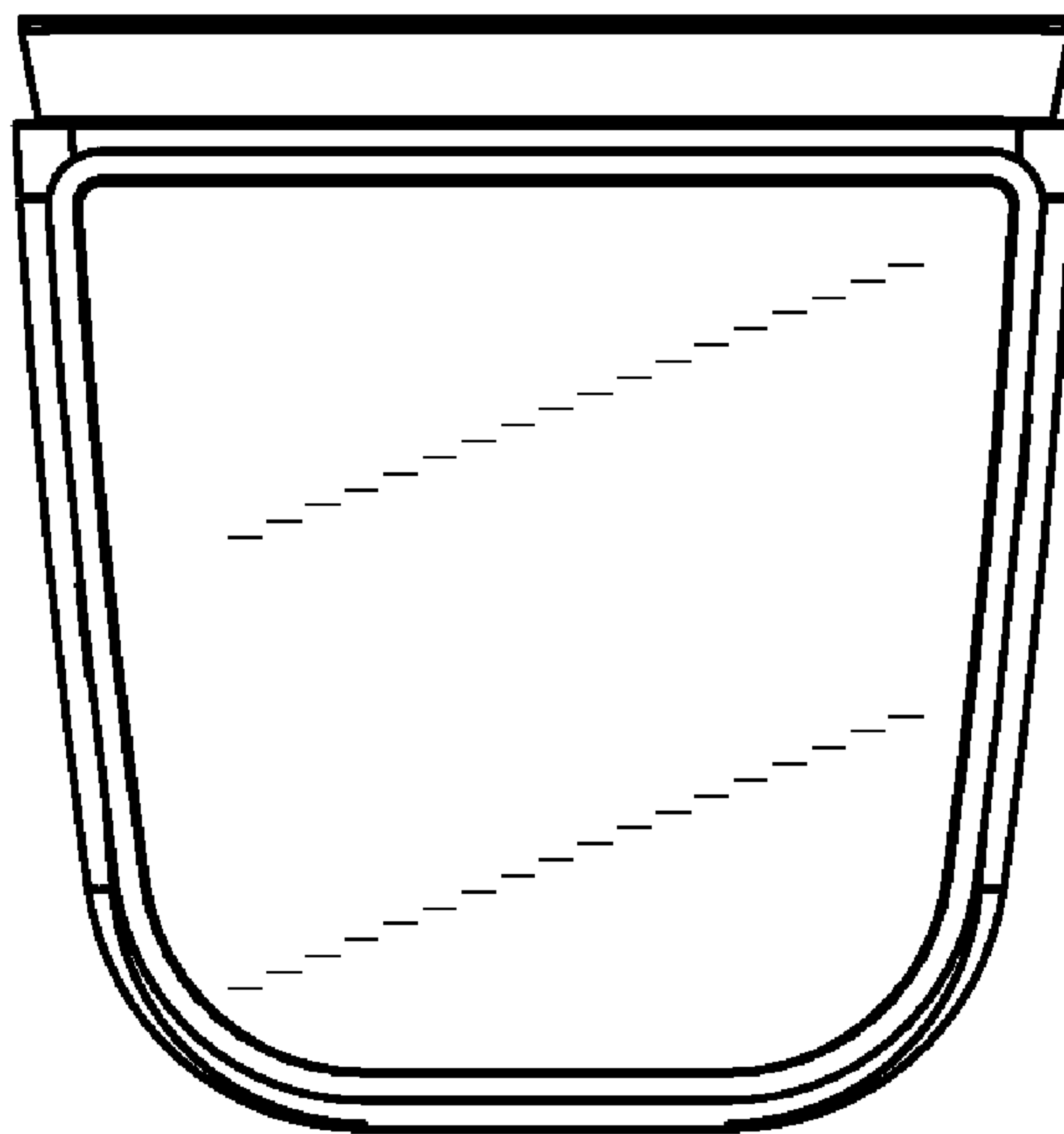


FIG. 8

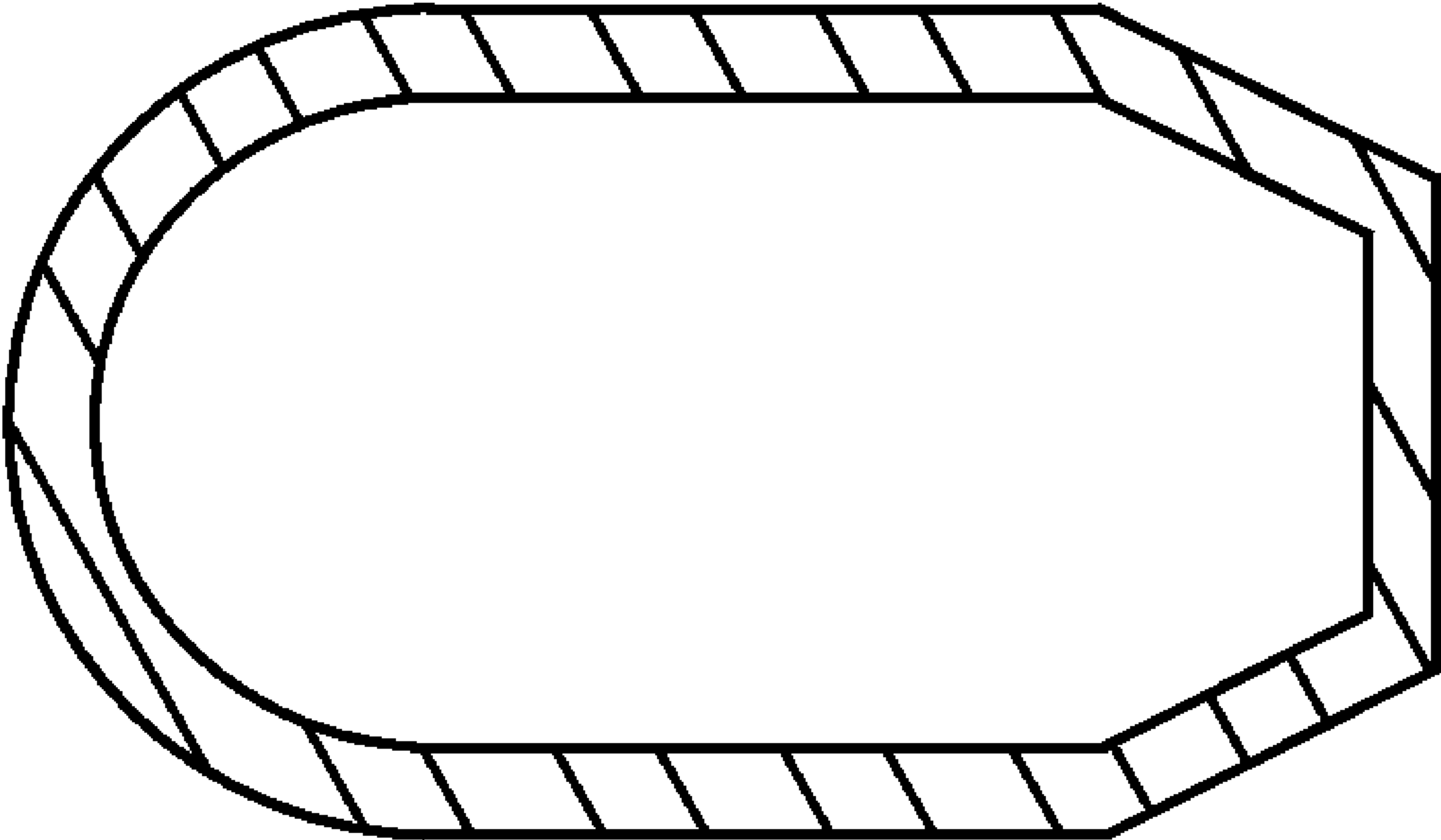


FIG. 9