



US00D606972S

(12) **United States Design Patent**
Schaefer

(10) **Patent No.:** **US D606,972 S**

(45) **Date of Patent:** **** Dec. 29, 2009**

(54) **AUDIO HEADSET**

(75) Inventor: **Stephen J. Schaefer**, Laguna Niguel,
CA (US)

(73) Assignee: **SJS & Sons, Inc.**, Laguna Niguel, CA
(US)

(**) Term: **14 Years**

(21) Appl. No.: **29/333,668**

(22) Filed: **Mar. 12, 2009**

(51) **LOC (9) Cl.** **14-01**

(52) **U.S. Cl.** **D14/205**

(58) **Field of Classification Search** D14/205,
D14/206, 223, 173, 174, 188, 192, 242; 181/129,
181/130, 135; 379/430, 433.01, 433.02,
379/433.03; 381/328; D24/106, 173, 174;
128/864, 865

See application file for complete search history.

(56) **References Cited**

U.S. PATENT DOCUMENTS

1,478,545	A	*	12/1923	Bishop	381/394
2,064,426	A	*	12/1936	Greibach	381/398
2,584,402	A	*	2/1952	Volkman	181/129
3,259,128	A	*	7/1966	Leight	128/865
3,983,336	A	*	9/1976	Malek et al.	381/313
4,133,984	A	*	1/1979	Akiyama	381/328
4,443,668	A	*	4/1984	Warren	455/351
4,554,993	A	*	11/1985	Houng	181/130
D413,379	S	*	8/1999	Leight	D24/106
D435,036	S	*	12/2000	Koss et al.	D14/223
D457,514	S	*	5/2002	Marion et al.	D14/223
D459,342	S	*	6/2002	Marion et al.	D14/223
D467,907	S	*	12/2002	Marion et al.	D14/223
D519,108	S	*	4/2006	Yang	D14/223
D531,169	S	*	10/2006	Tokioka et al.	D14/223
D539,268	S	*	3/2007	Suzuki	D14/206
D554,627	S	*	11/2007	Gondo et al.	D14/223

D555,152	S	*	11/2007	Wang	D14/223
D562,809	S	*	2/2008	Yang et al.	D14/223
D566,099	S	*	4/2008	Komiyama	D14/206
D574,361	S	*	8/2008	Sasaki	D14/205
D576,154	S	*	9/2008	Ledbetter et al.	D14/223
D579,005	S	*	10/2008	Wilhelmsen	D14/223
D585,606	S	*	1/2009	Kennedy	D30/152
D586,332	S	*	2/2009	Ewert et al.	D14/223
D587,681	S	*	3/2009	Yanai	D14/205
D587,685	S	*	3/2009	Densho	D14/206
D589,493	S	*	3/2009	Densho	D14/206
D590,375	S	*	4/2009	Komiyama	D14/223
D595,268	S	*	6/2009	Kolton	D14/223

OTHER PUBLICATIONS

L.L. Bean recieved in the USPTO Mar. 2008 p. 27#H Primos Turkey
Call Holder.*

* cited by examiner

Primary Examiner—Paula Greene

(74) *Attorney, Agent, or Firm*—Niky Economy Syrengelas,
Esq.; Crockett & Crockett

(57) **CLAIM**

The ornamental design for an audio headset, as shown and
described.

DESCRIPTION

FIG. 1 is a perspective view thereof of an audio headset
showing my new design;

FIG. 2 is a left side view thereof;

FIG. 3 is a right side view thereof;

FIG. 4 is a top view thereof;

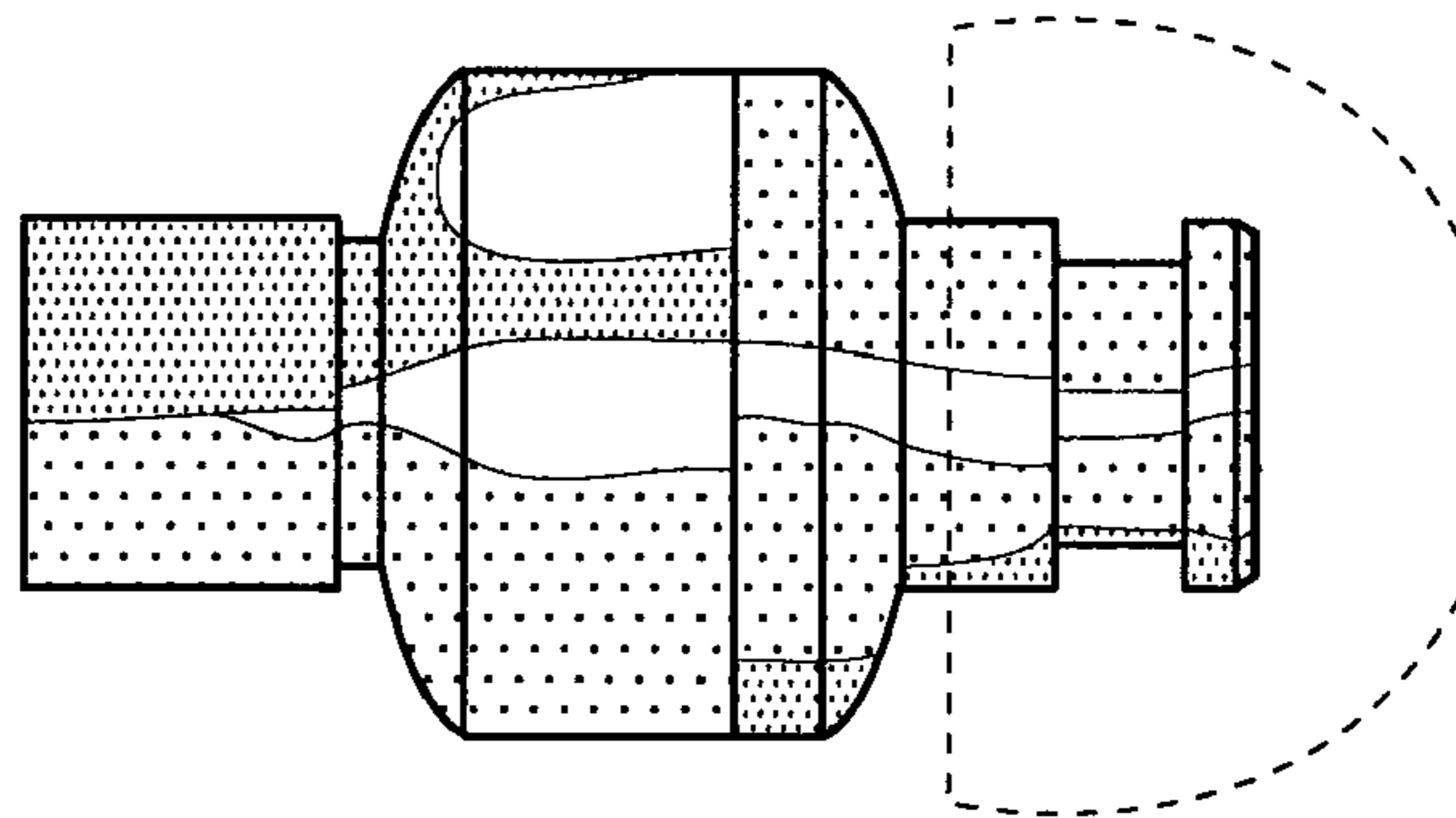
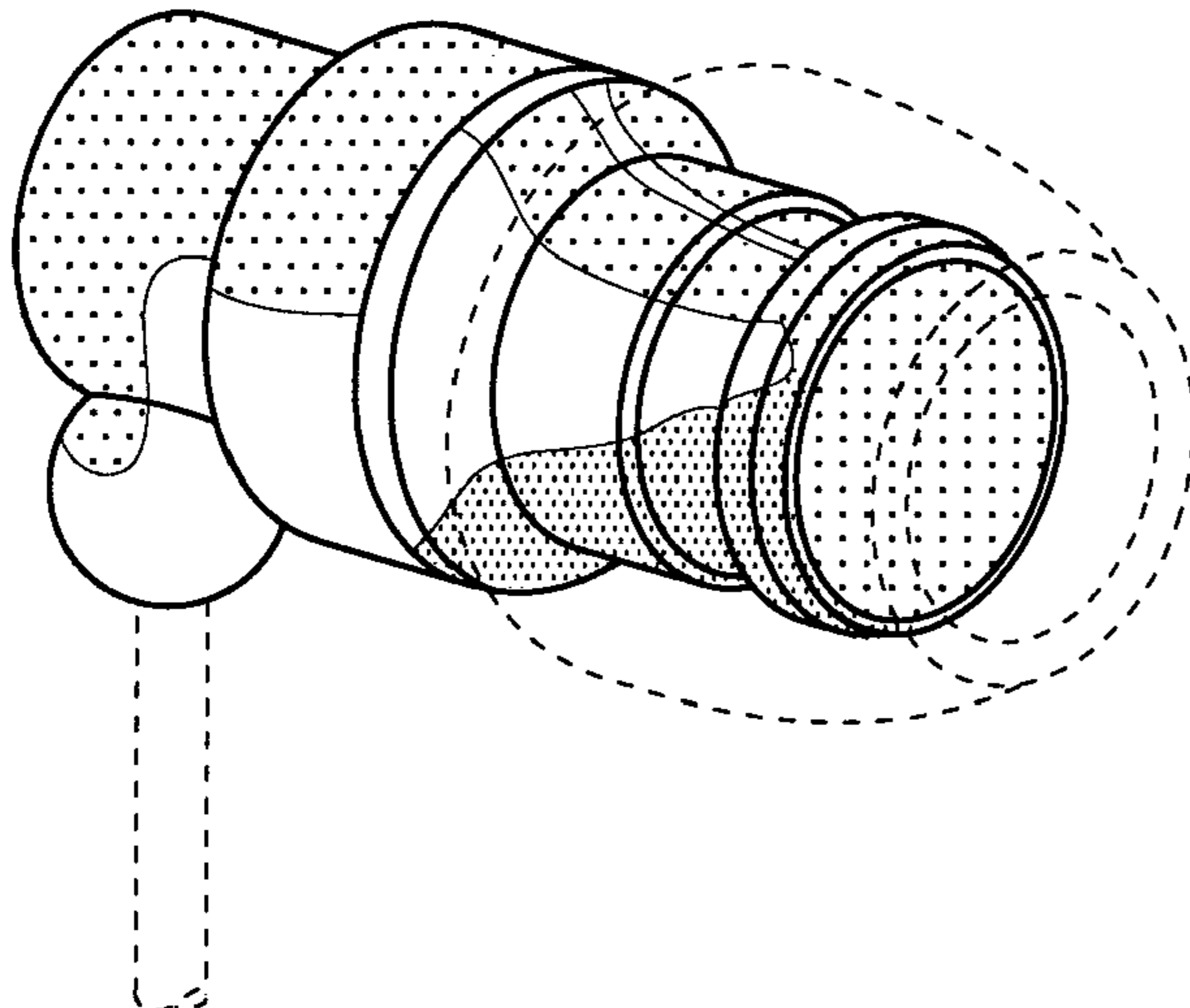
FIG. 5 is a bottom view thereof;

FIG. 6 is a front view thereof; and,

FIG. 7 is a bottom view thereof.

The broken lines form no part of the claimed design.

1 Claim, 4 Drawing Sheets



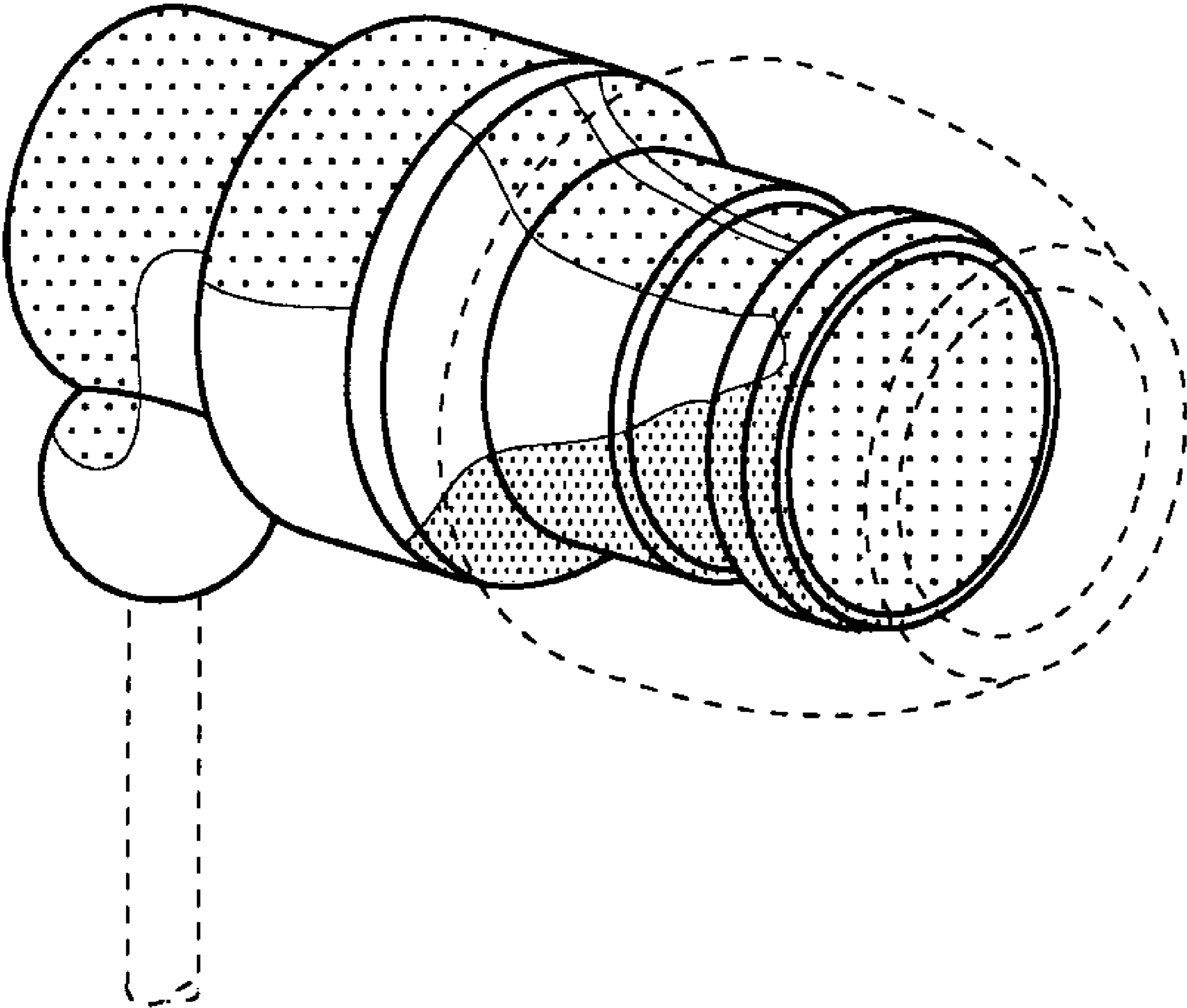


FIG. 1

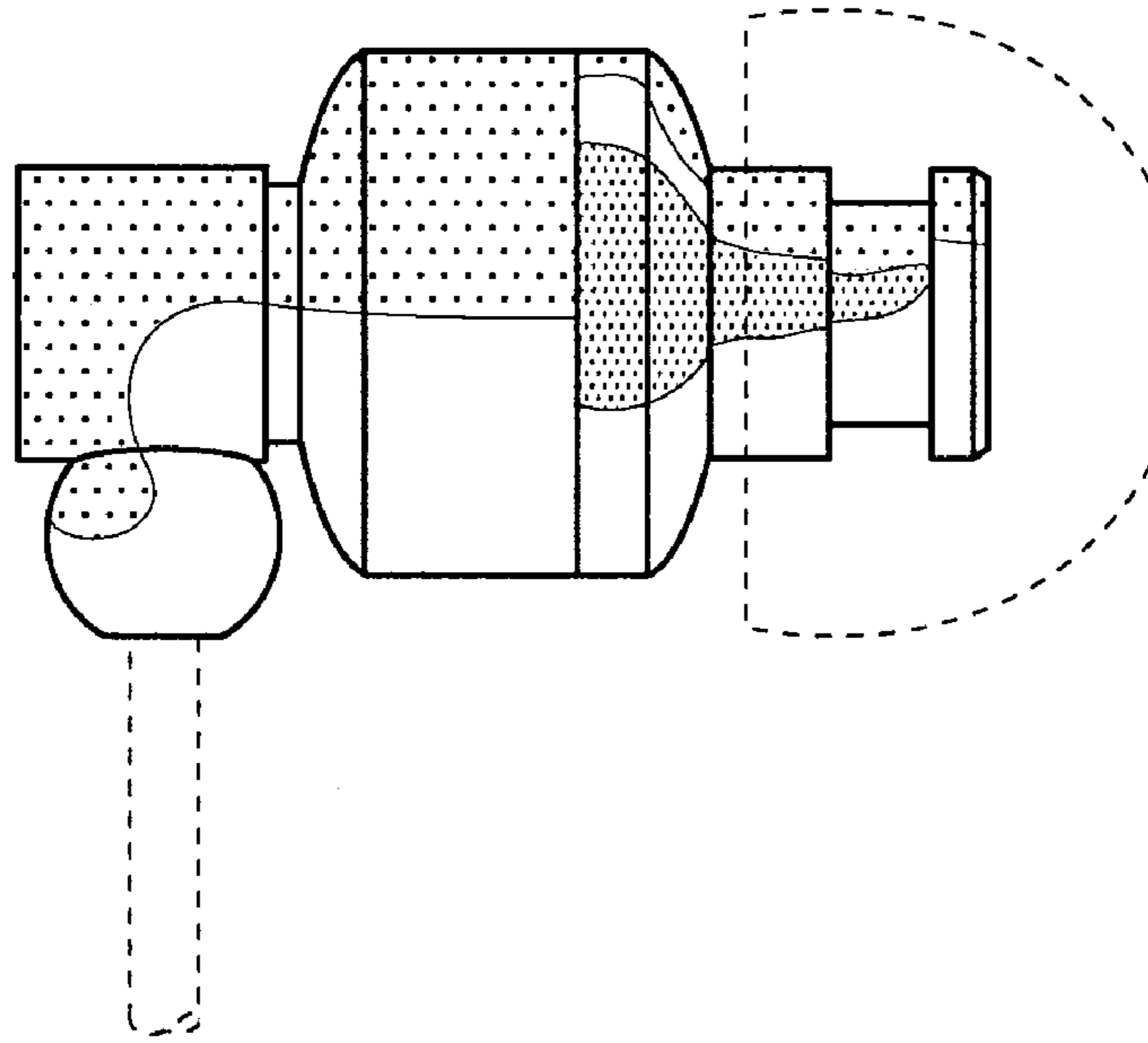


FIG. 2

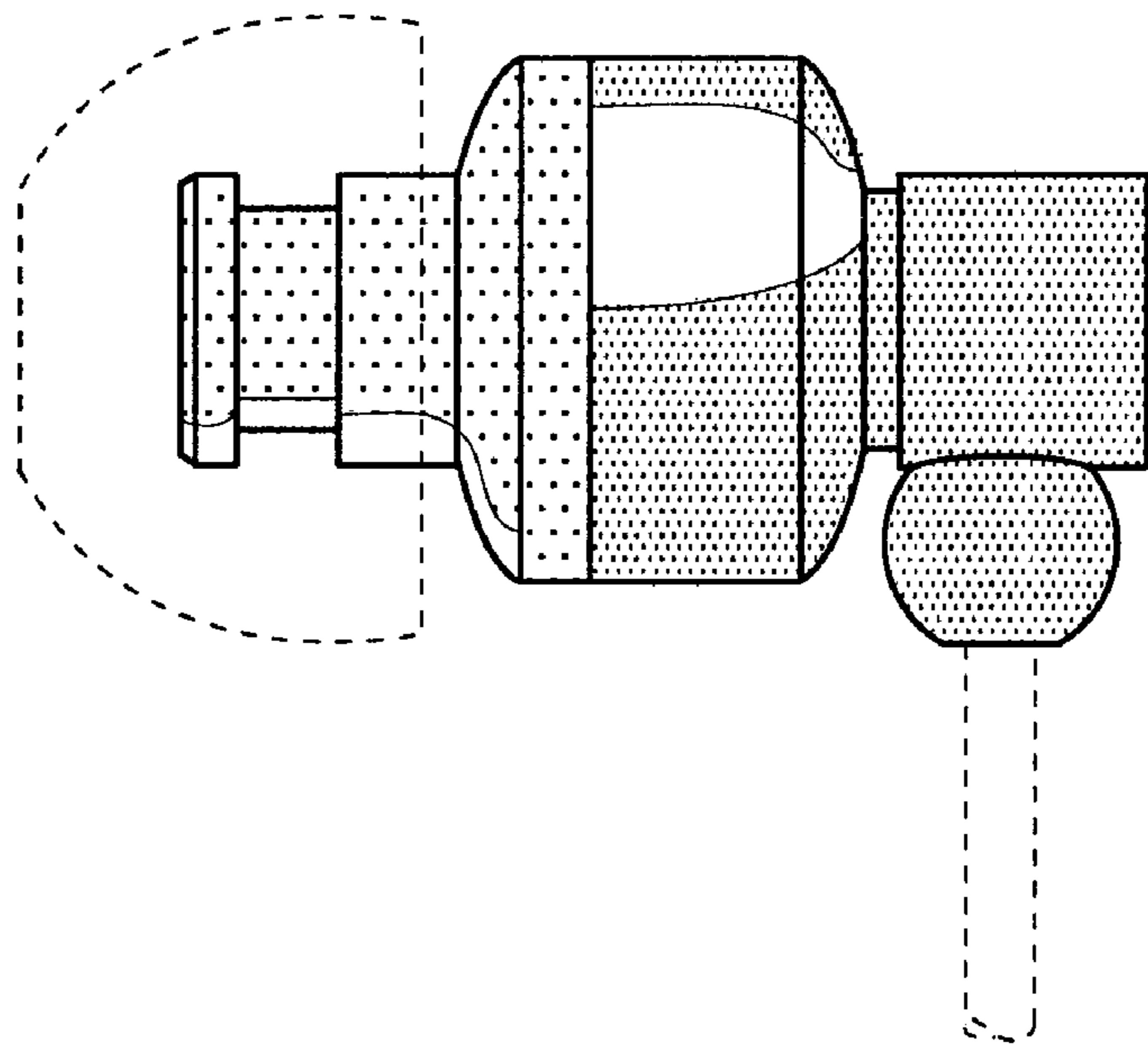


FIG. 3

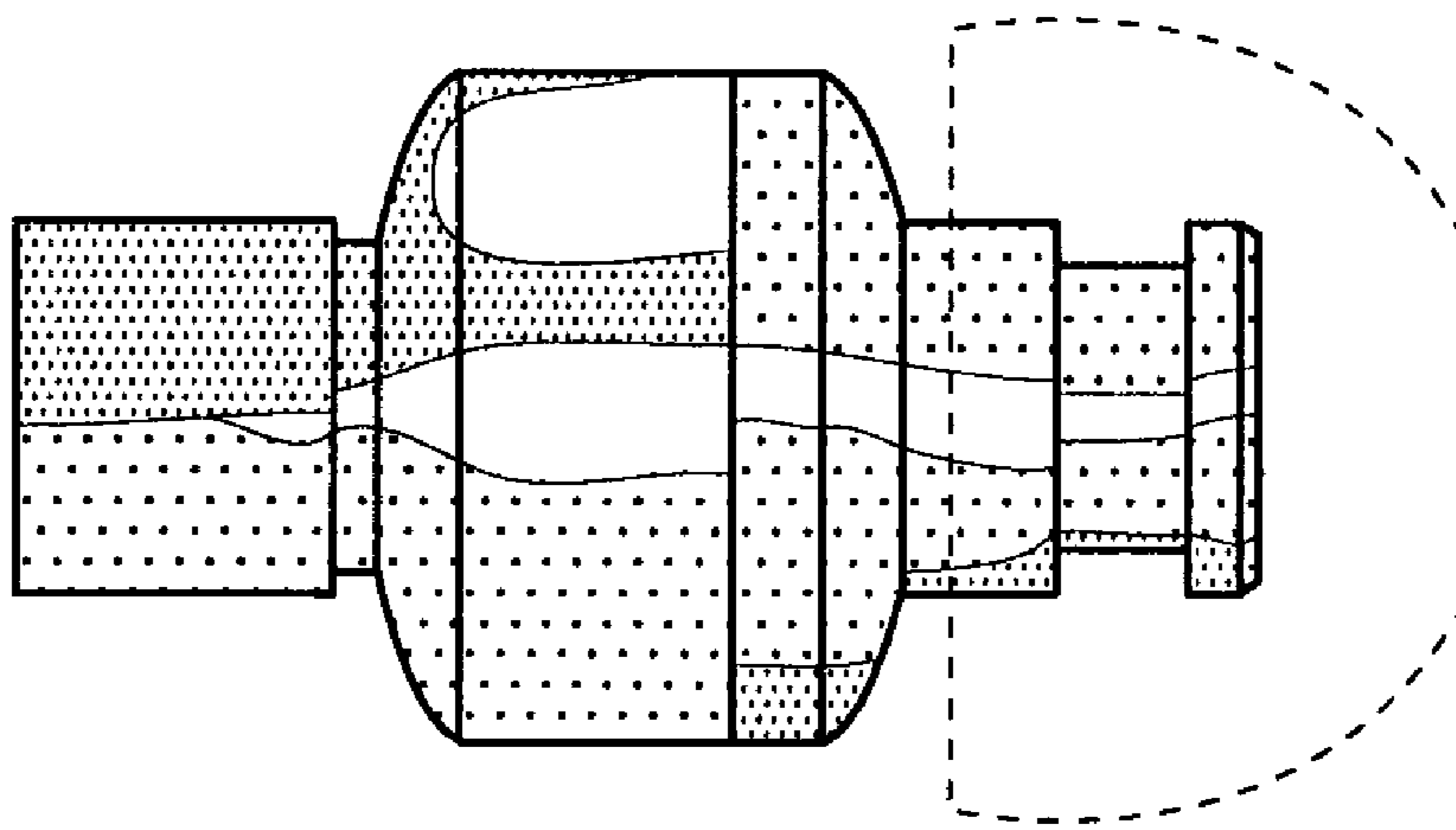


FIG. 4

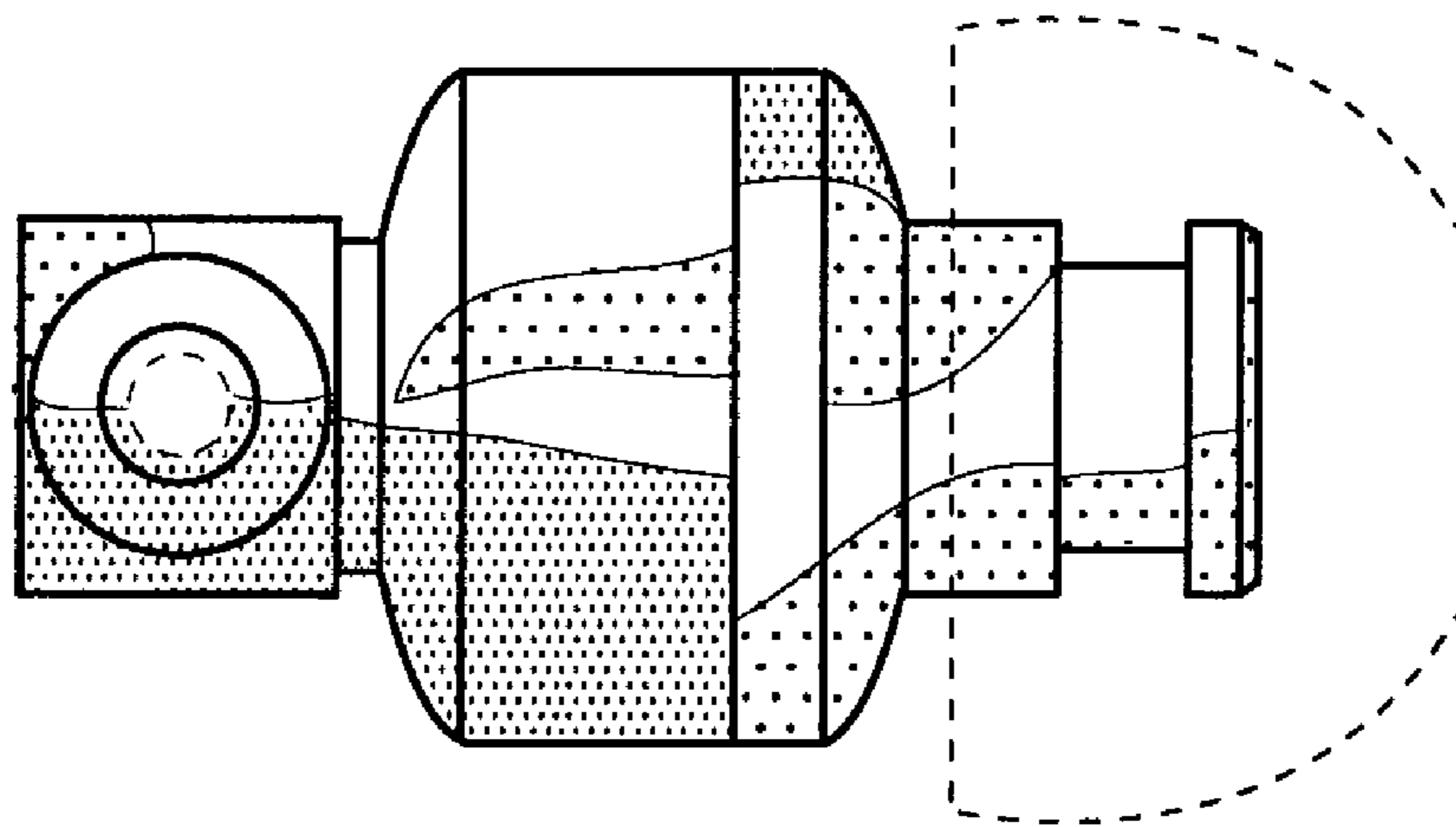


FIG. 5

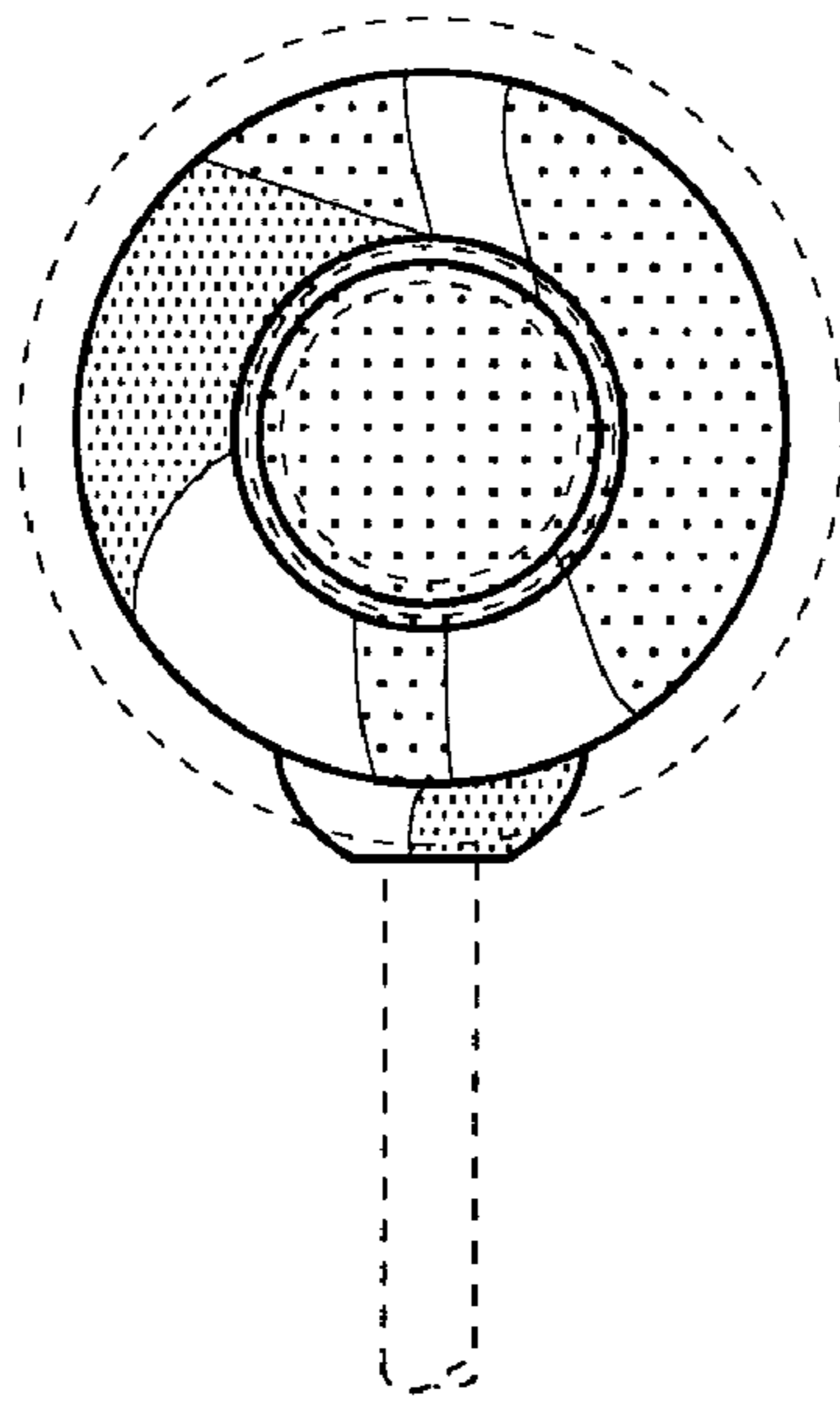


FIG. 6

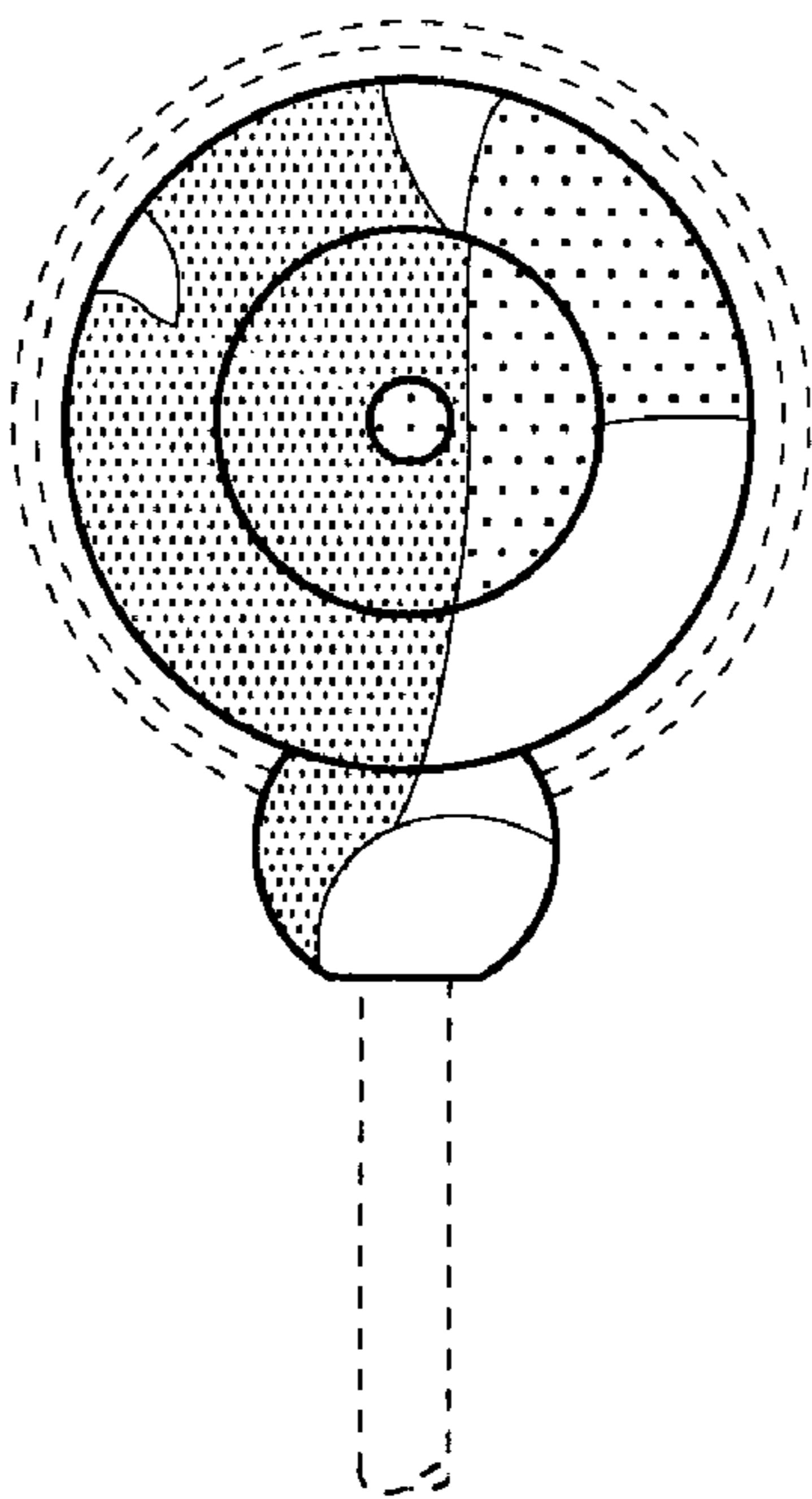


FIG. 7