



US00D606971S

(12) **United States Design Patent**
Christopher et al.

(10) **Patent No.:** **US D606,971 S**
(45) **Date of Patent:** **** Dec. 29, 2009**

(54) **AUDIO DEVICE**

(75) Inventors: **Stephen M. Christopher**, Chicago, IL
(US); **Michiel S. Knoppert**, Chicago, IL
(US)

(73) Assignee: **Motorola, Inc.**, Schaumburg, IL (US)

(**) Term: **14 Years**

(21) Appl. No.: **29/330,126**

(22) Filed: **Dec. 30, 2008**

(51) **LOC (9) Cl.** **14-01**

(52) **U.S. Cl.** **D14/205**

(58) **Field of Classification Search** D14/205,
D14/206, 223, 142, 188, 192; 181/129, 130,
181/137; 379/430, 433.01; 381/381, 370,
381/330, 322, 324, 328; 128/864, 866; 455/575.1,
455/575.2; D24/174

See application file for complete search history.

(56) **References Cited**

U.S. PATENT DOCUMENTS

4,133,984	A *	1/1979	Akiyama	381/328
4,736,435	A *	4/1988	Yokoyama et al.	381/380
4,852,684	A *	8/1989	Packard	181/131
5,867,582	A *	2/1999	Nagayoshi	381/370
6,084,976	A *	7/2000	Lin	381/380
D430,146	S *	8/2000	Lin	D14/223
D457,514	S *	5/2002	Marion et al.	D14/223
D463,789	S *	10/2002	DeKalb et al.	D14/223
D468,301	S *	1/2003	Fushimi	D14/223
D477,593	S *	7/2003	Komiyama	D14/223
D477,822	S *	7/2003	Komiyama	D14/223
D531,169	S *	10/2006	Tokioka et al.	D14/223
D539,268	S *	3/2007	Suzuki	D14/206
D549,222	S *	8/2007	Huang	D14/223
D554,626	S *	11/2007	Christopher	D14/223
D554,627	S *	11/2007	Gondo	D14/223
D555,150	S *	11/2007	Christopher et al.	D14/223
D563,868	S *	3/2008	Christopher et al.	D13/108
D564,495	S *	3/2008	Sasaki	D14/205
D566,099	S *	4/2008	Komiyama	D14/206

D567,217	S *	4/2008	Kamo et al.	D14/205
D572,703	S *	7/2008	Ledbetter et al.	D14/205
D574,361	S *	8/2008	Sasaki	D14/205
D575,268	S *	8/2008	Christopher et al.	D14/205
D575,773	S *	8/2008	Yanai	D14/223
D578,516	S *	10/2008	Christopher	D14/223
D579,005	S *	10/2008	Wilhelmsen	D14/223
D579,444	S *	10/2008	Ewert et al.	D14/223
D582,397	S *	12/2008	Christopher	D14/223
D582,897	S *	12/2008	Christopher et al.	D14/223
D584,293	S *	1/2009	Kim et al.	D14/223
D586,332	S *	2/2009	Ewert et al.	D14/223
D587,681	S *	3/2009	Yanai	D14/205
D587,685	S *	3/2009	Densho	D14/206
D589,493	S *	3/2009	Densho	D14/206
D591,721	S *	5/2009	Densho	D14/205

OTHER PUBLICATIONS

Sony MDR-EX55; 1 page.

* cited by examiner

Primary Examiner—Paula Greene

(57) **CLAIM**

The ornamental design for a audio device, as shown and described.

DESCRIPTION

FIG. 1 is a perspective view of an ornamental design for a audio device;

FIG. 2 is a front view thereof;

FIG. 3 is a rear view thereof;

FIG. 4 is a first side view thereof;

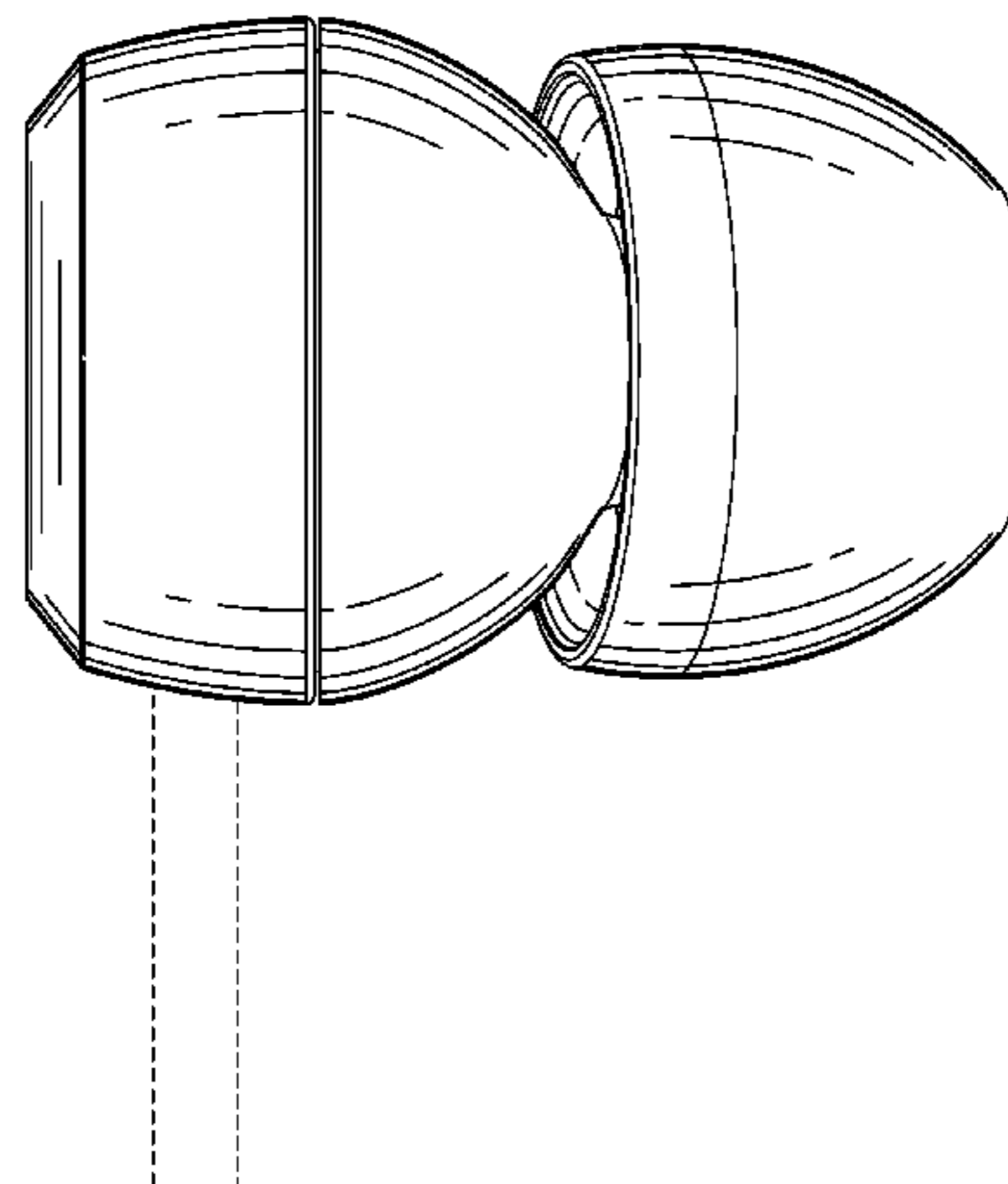
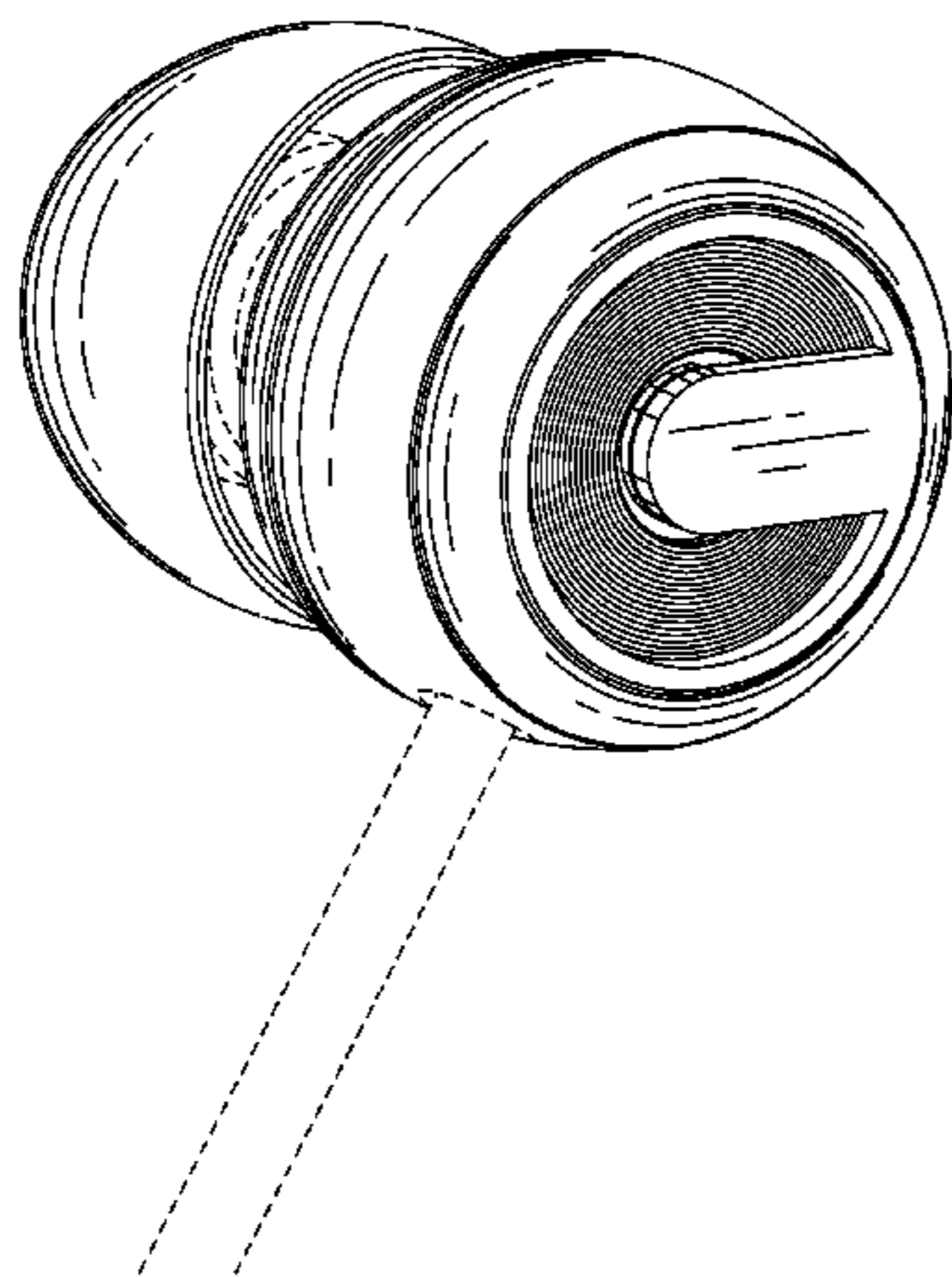
FIG. 5 is a second side view thereof;

FIG. 6 is a top view thereof; and,

FIG. 7 is a bottom view thereof.

The broken line in FIGS. 1–7 showing environmental structures is for illustrative purposes and forms no part of the claim design.

1 Claim, 7 Drawing Sheets



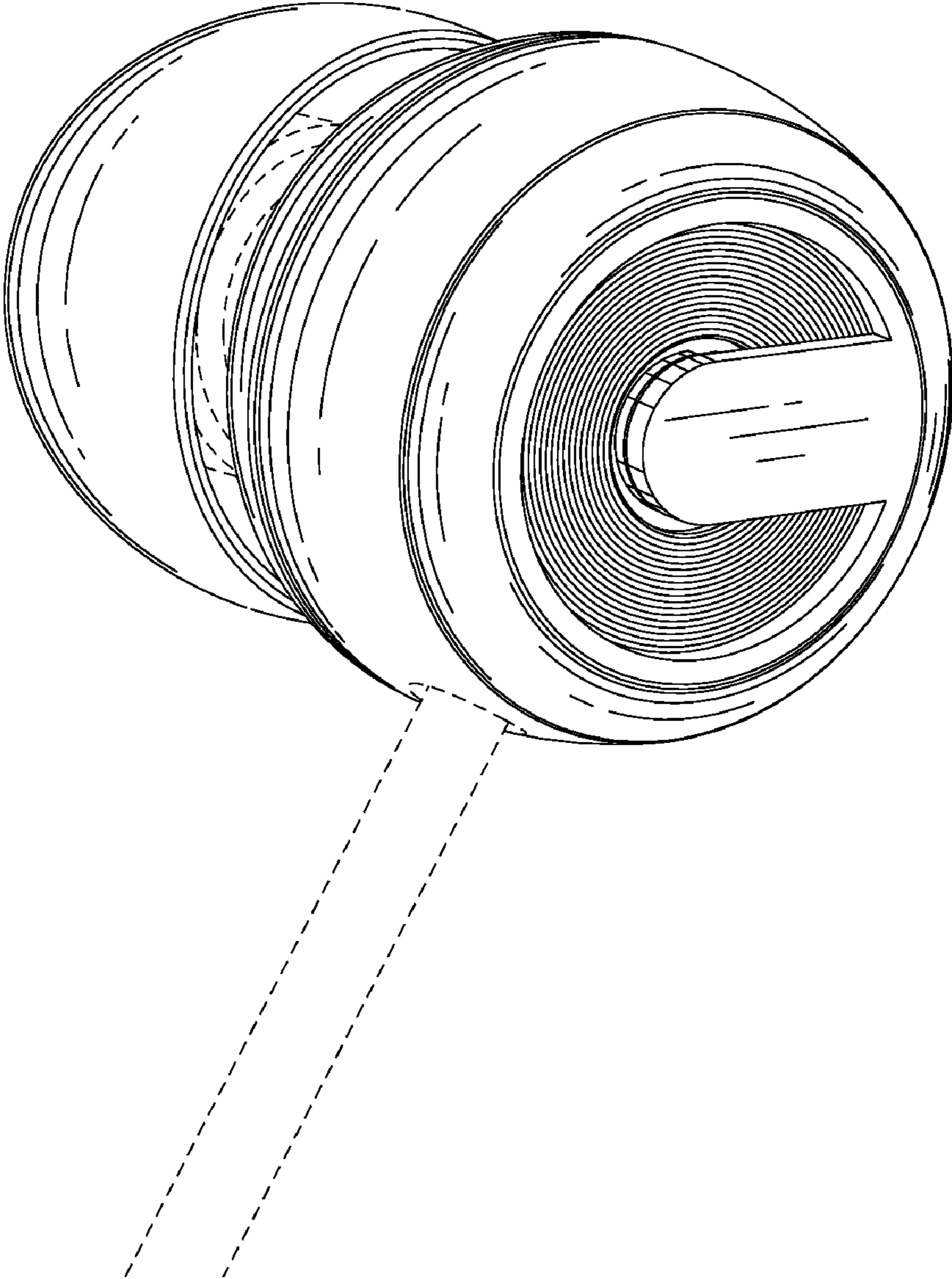


FIG. 1

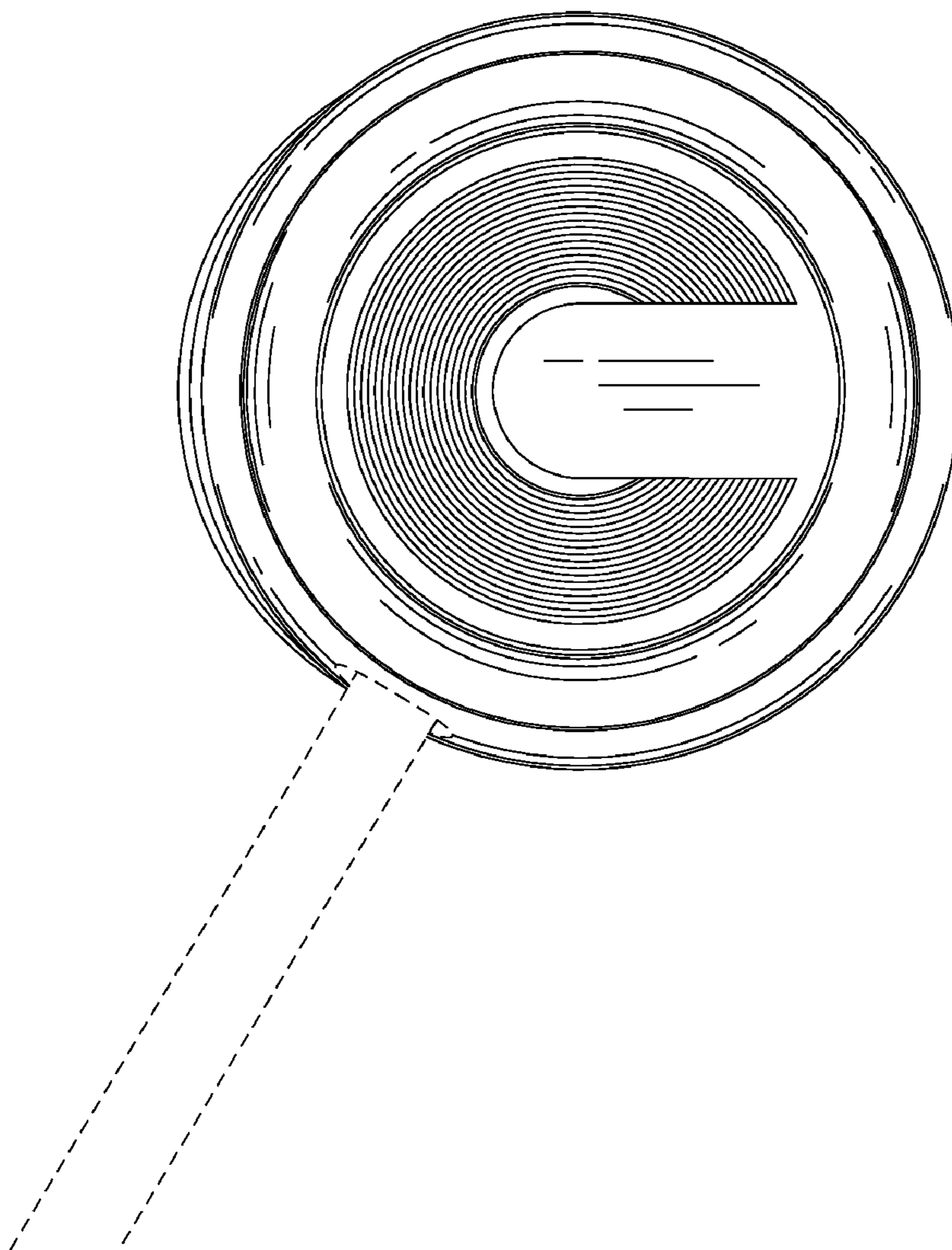


FIG. 2

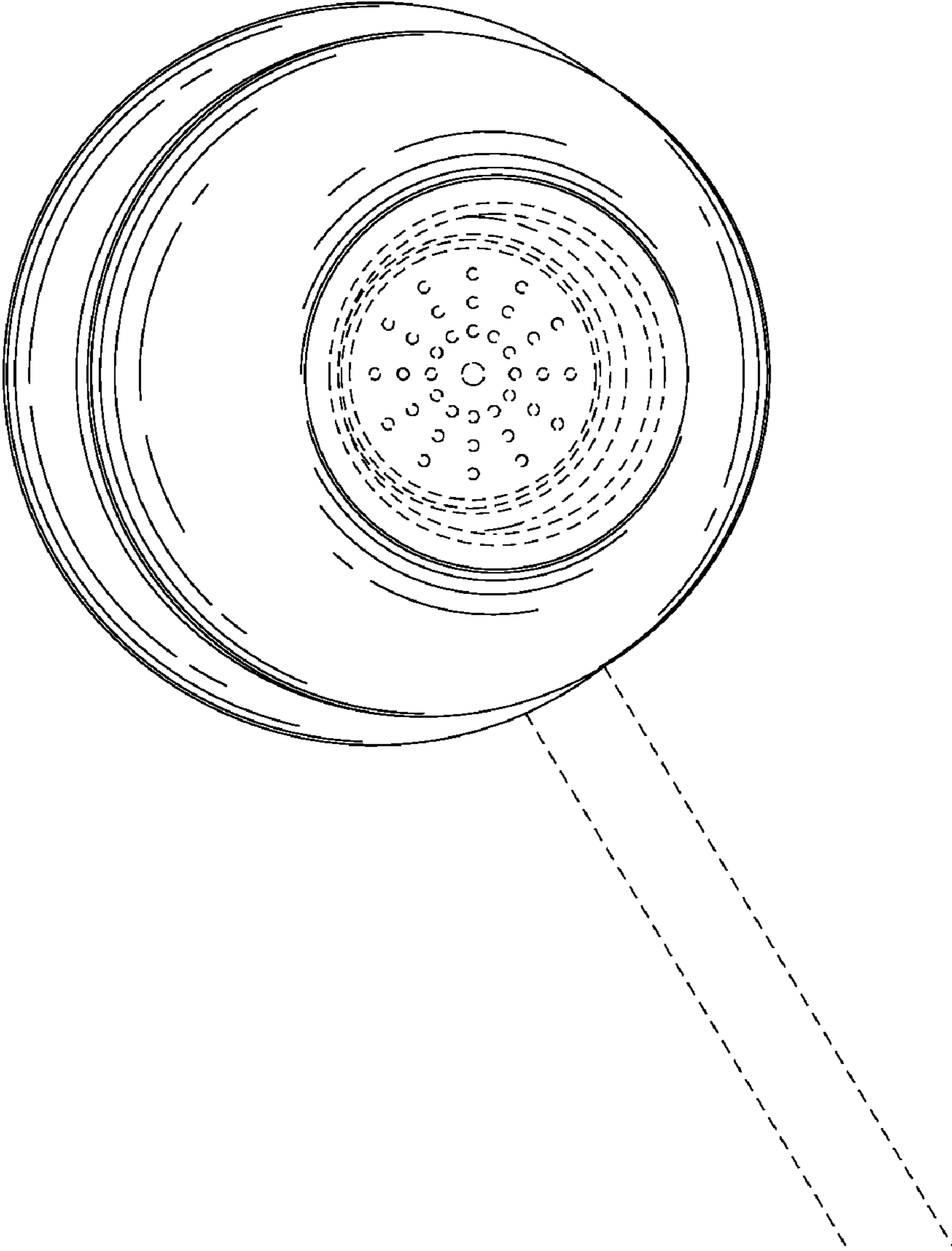


FIG. 3

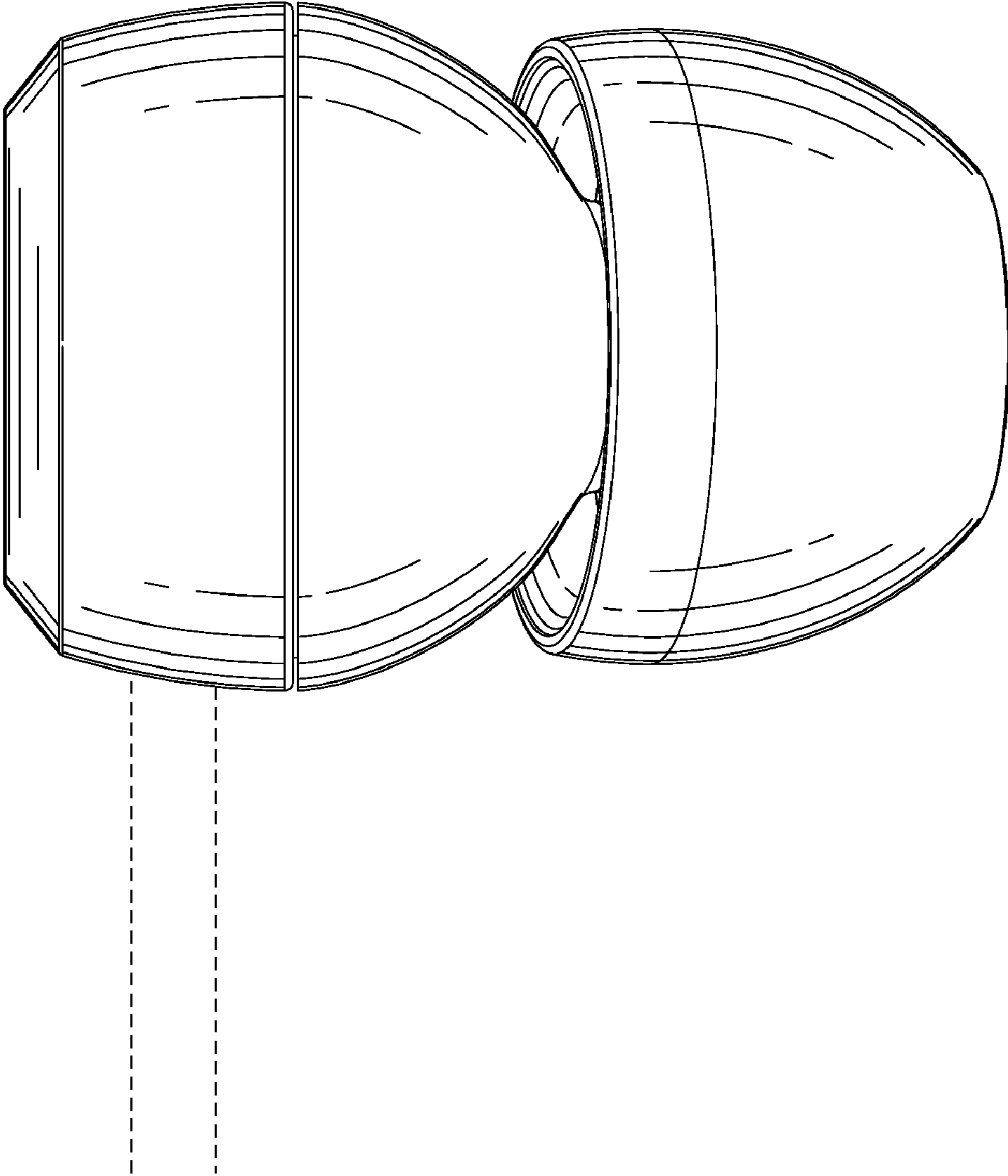


FIG. 4

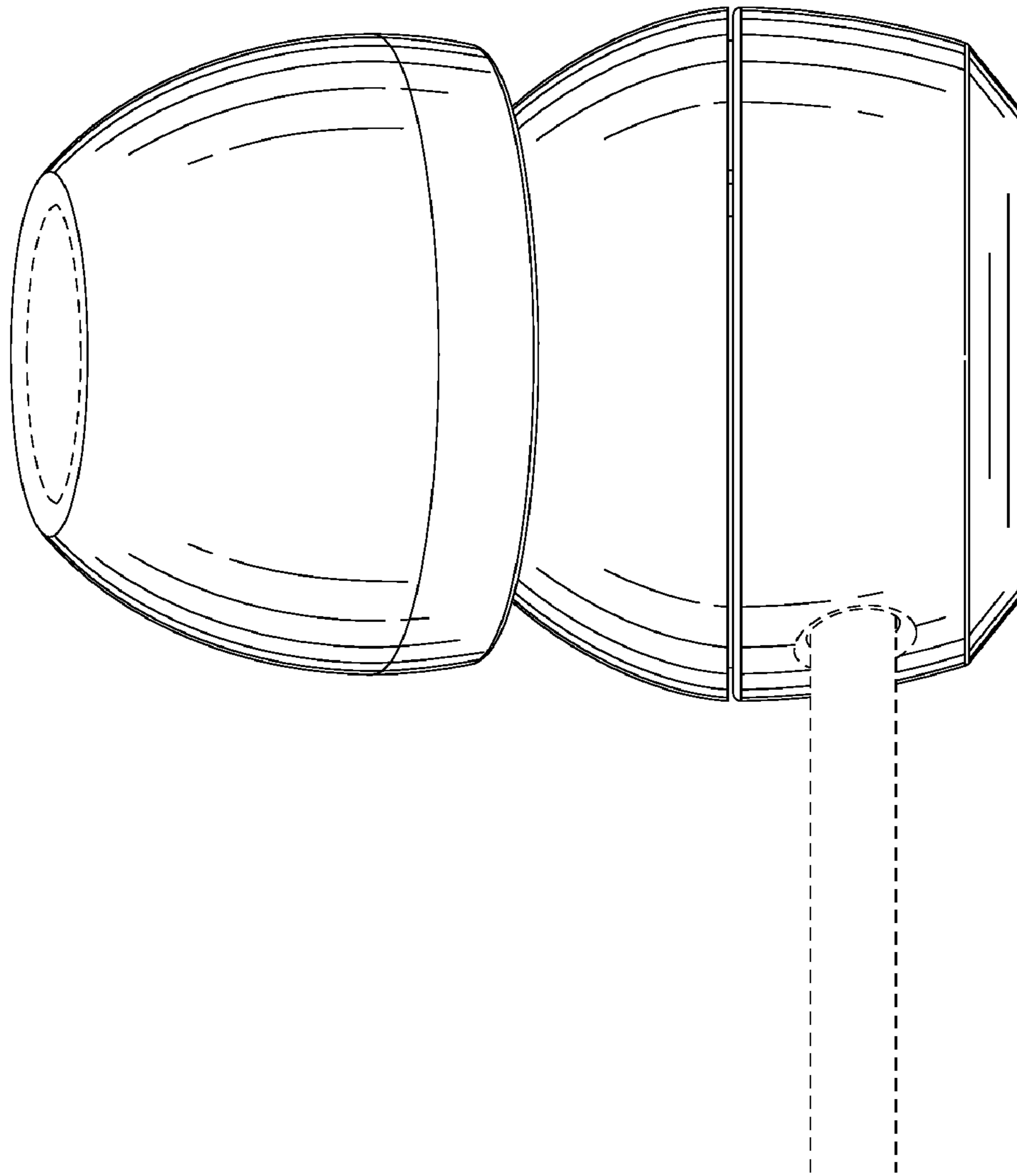


FIG. 5

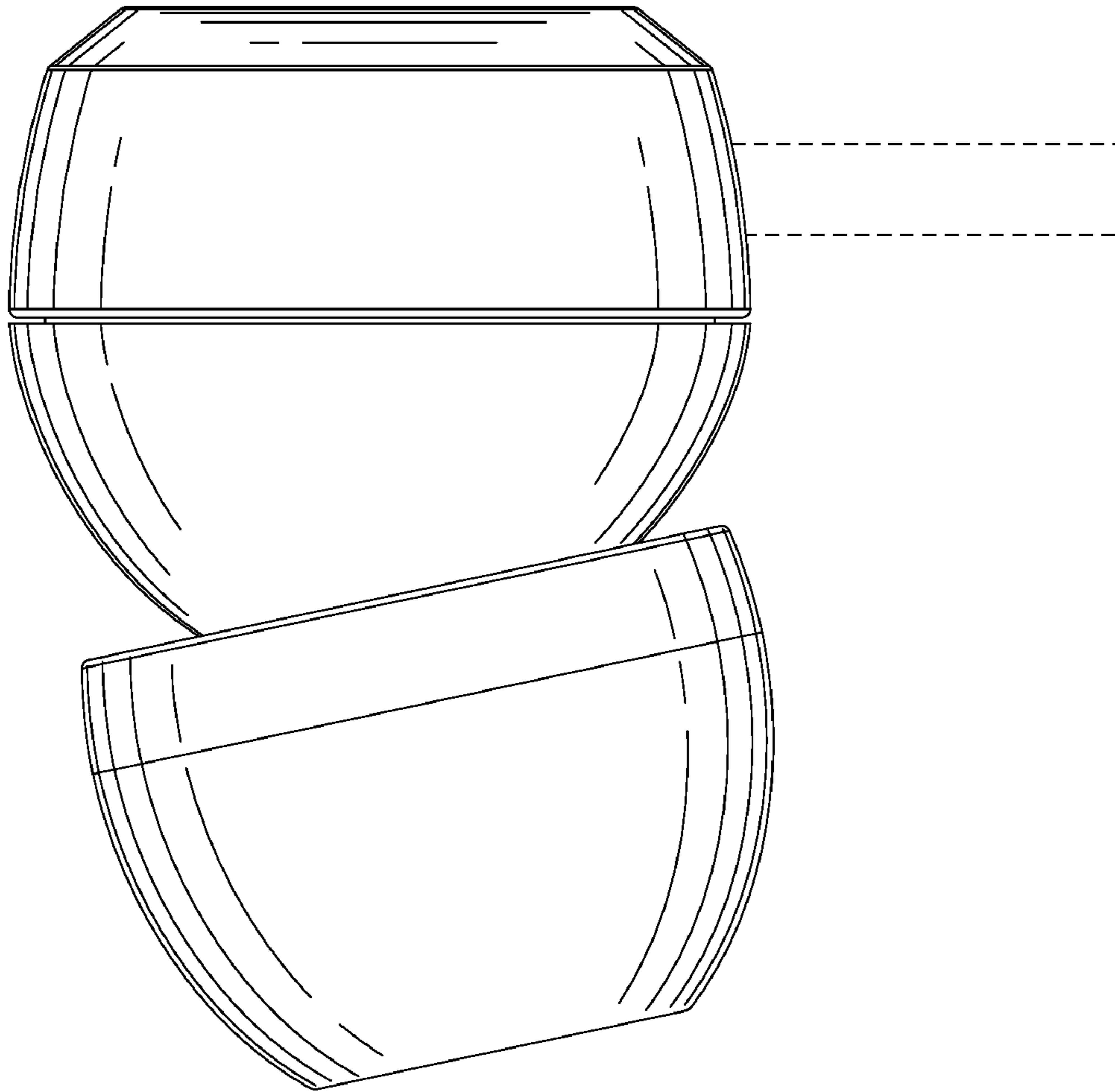


FIG. 6

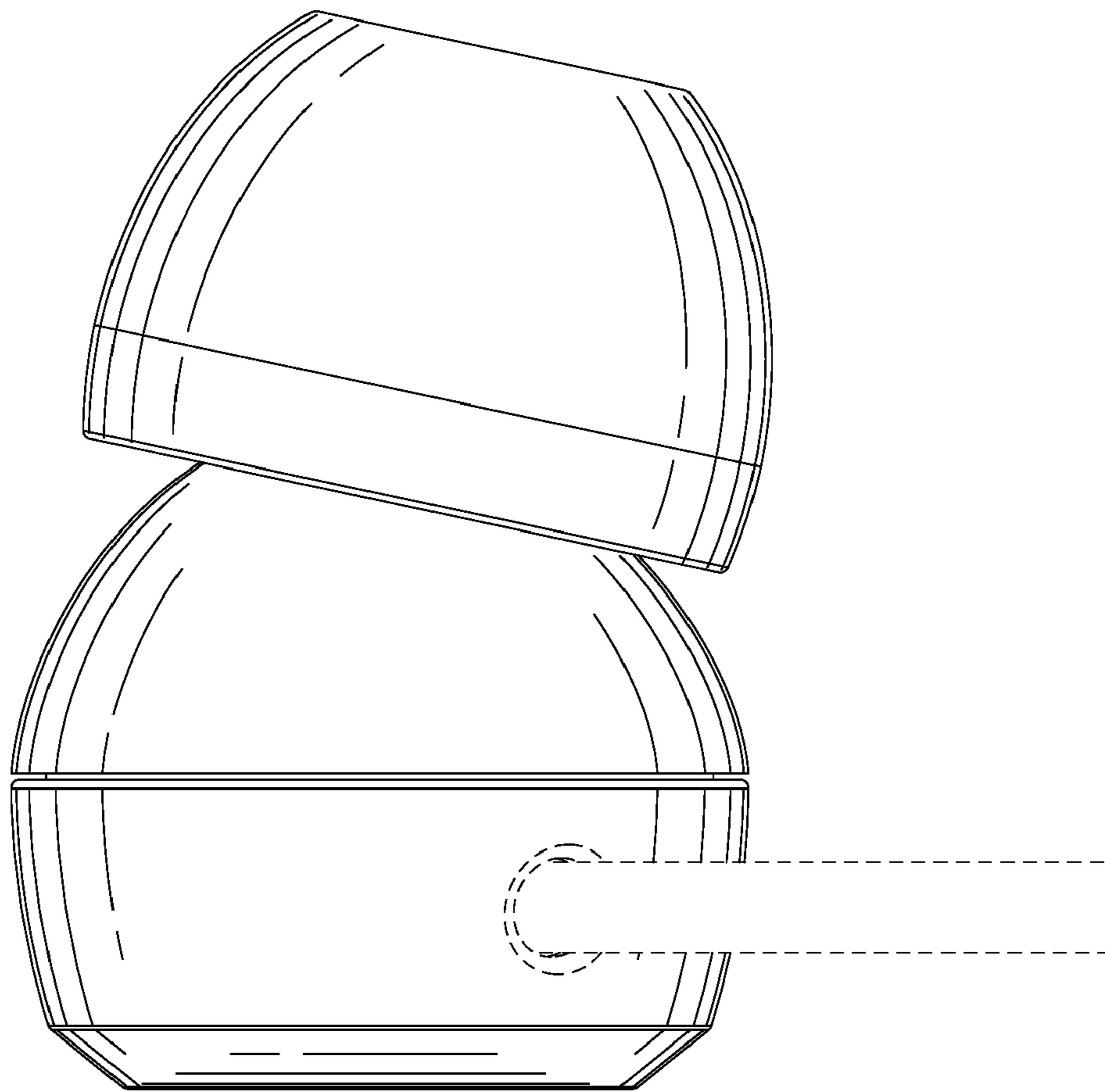


FIG. 7