



US00D606965S

(12) **United States Design Patent**
Andre et al.

(10) **Patent No.:** **US D606,965 S**

(45) **Date of Patent:** **** *Dec. 29, 2009**

(54) **ELECTRONIC DEVICE**

(75) Inventors: **Bartley K. Andre**, Menlo Park, CA (US); **Daniel J. Coster**, San Francisco, CA (US); **Daniele De Iuliis**, San Francisco, CA (US); **Richard P. Howarth**, San Francisco, CA (US); **Jonathan P. Ive**, San Francisco, CA (US); **Steve Jobs**, Palo Alto, CA (US); **Duncan Robert Kerr**, San Francisco, CA (US); **Shin Nishibori**, San Francisco, CA (US); **Matthew Dean Rohrbach**, San Francisco, CA (US); **Peter Russell-Clarke**, San Francisco, CA (US); **Douglas B. Satzger**, Menlo Park, CA (US); **Calvin Q. Seid**, Palo Alto, CA (US); **Vincent Keane Seid**, legal representative, Los Gatos, CA (US); **Christopher J. Stringer**, Portola Valley, CA (US); **Eugene Antony Whang**, San Francisco, CA (US); **Rico Zorkendorfer**, San Francisco, CA (US)

(73) Assignee: **Apple Inc.**, Cupertino, CA (US)

(*) Notice: This patent is subject to a terminal disclaimer.

(**) Term: **14 Years**

(21) Appl. No.: **29/284,270**

(22) Filed: **Sep. 4, 2007**

(51) **LOC (9) Cl.** **14-03**

(52) **U.S. Cl.** **D14/203.7; D14/496; D14/203.3**

(58) **Field of Classification Search** D14/496, D14/401, 435, 474, 483, 217, 137, 138, 160, D14/168, 356, 203.1-203.8, 507; 345/156, 345/169, 173-179, 905; 715/727-729, 864; 710/1, 5, 8; 713/1, 600; 455/1.1, 1.7, 73, 455/344-347, 93, 95, 3.01-3.06, 550.1, 573.1; 370/342-344; 369/1, 2, 6-12; 463/43-47; 273/148 B

See application file for complete search history.

(56) **References Cited**

U.S. PATENT DOCUMENTS

D425,885 S 5/2000 Amron
(Continued)

FOREIGN PATENT DOCUMENTS

CN 3260632D 10/2002
(Continued)

OTHER PUBLICATIONS

“Microsoft Launches the Zune!”, Engadget.com (on line) (c) 2006, retrieved on Mar. 28, 2008, URL: <http://www.engadget.com/2006/09/14/microsoft-launches-the-zune/>, 7 pages.

(Continued)

Primary Examiner—Prabhakar Deshmukh
(74) *Attorney, Agent, or Firm*—Sterne, Kessler, Goldstein & Fox P.L.L.C.

(57) **CLAIM**

The ornamental design for an electronic device, as shown and described.

DESCRIPTION

FIG. 1 is a front perspective view of an electronic device showing our new design;

FIG. 2 is a rear perspective thereof;

FIG. 3 is a front view thereof;

FIG. 4 is a rear view thereof;

FIG. 5 is a left side view thereof;

FIG. 6 is right side view thereof;

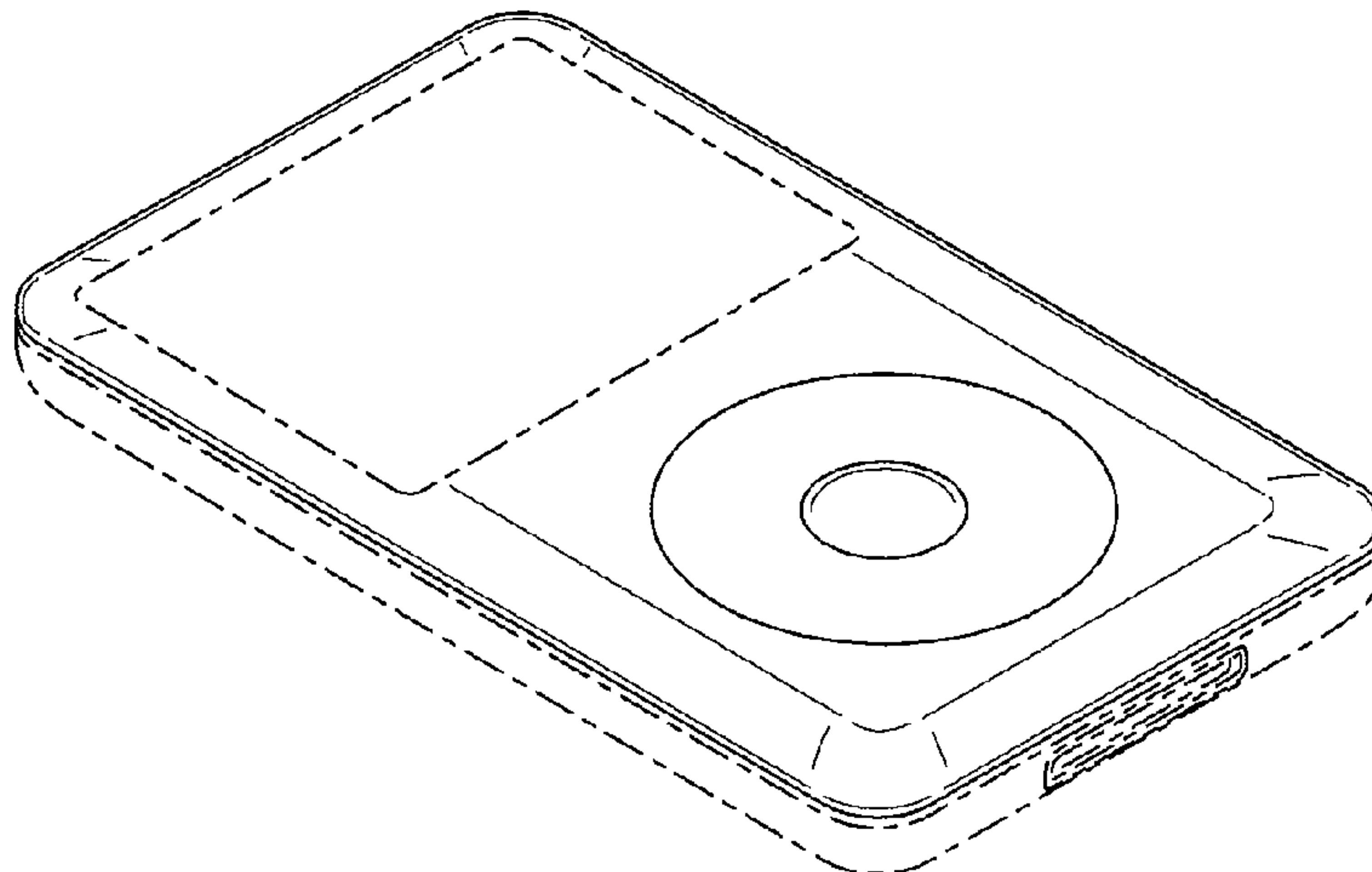
FIG. 7 is a top plan view thereof;

FIG. 8 is a bottom plan view thereof; and,

FIG. 9 is an enlarged elevational view of a representative corner of the electronic device.

The broken lines show portions of the electronic device which form no part of the claimed design.

1 Claim, 6 Drawing Sheets



US D606,965 S

U.S. PATENT DOCUMENTS

D469,109	S	1/2003	Andre et al.	
D472,245	S	3/2003	Andre et al.	
6,591,085	B1	7/2003	Grady	
6,593,914	B1 *	7/2003	Nuovo et al.	345/169
D489,052	S	4/2004	Shiraki et al.	
D494,188	S	8/2004	Huang	
6,781,623	B1 *	8/2004	Thomas	348/208.4
D497,618	S	10/2004	Andre et al.	
D506,476	S	6/2005	Andre et al.	
D507,277	S	7/2005	Sitoh	
D509,833	S	9/2005	Yang	
D513,512	S	1/2006	Tsai	
D514,121	S	1/2006	Johnson	
D515,099	S	2/2006	Lee	
D516,576	S	3/2006	Ive et al.	
D516,579	S	3/2006	Nakamura	
D517,088	S	3/2006	Chong et al.	
D519,523	S	4/2006	Chiu et al.	
D520,020	S	5/2006	Senda et al.	
7,046,230	B2	5/2006	Zadesky et al.	
D538,820	S	3/2007	Andre et al.	
D541,298	S	4/2007	Andre et al.	
D548,744	S	8/2007	Andre et al.	
D548,745	S	8/2007	Andre et al.	
D548,747	S	8/2007	Andre et al.	
D572,267	S	7/2008	Andre et al.	
D584,303	S *	1/2009	Andre et al.	D14/341
D584,740	S *	1/2009	Sheba et al.	D14/496
D584,742	S *	1/2009	Sheba et al.	D14/496
D587,280	S *	2/2009	Lee et al.	D14/496
D589,979	S *	4/2009	Andre et al.	D14/496
2004/0224638	A1	11/2004	Fadell et al.	

FOREIGN PATENT DOCUMENTS

CN	3260633D	10/2002
CN	3286007D	4/2003
CN	3287344D	4/2003
CN	3331371D	10/2003
CN	3339759D	12/2003
CN	3375890D	6/2004
CN	3380859D	7/2004
CN	3389184D	9/2004
CN	3453893D	6/2005
CN	3453894D	6/2005
CN	3468582D	8/2005
CN	3468598D	8/2005
CN	3480659D	10/2005
CN	3484184D	11/2005
CN	3490573D	12/2005
CN	3490574D	12/2005
CN	3509995D	3/2006
CN	3513646D	3/2006
CN	3518964D	4/2006
CN	3518979D	4/2006
CN	3534319D	6/2006

CN	3541511D	7/2006
CN	3543434D	7/2006
CN	3543442D	7/2006
CN	3543458D	7/2006
CN	3545312D	7/2006
CN	3545341D	7/2006
CN	3549064D	8/2006
CN	3562517D	9/2006
CN	3562544D	9/2006
CN	3571069D	10/2006
CN	3575463D	11/2006
CN	3575474D	11/2006
CN	3579941D	11/2006
CN	3588710D	12/2006
CN	3590936D	12/2006
CN	3593120D	12/2006
CN	3595475D	1/2007
CN	3597854D	1/2007
CN	3615593D	2/2007
CN	3615600D	2/2007
CN	3615602D	2/2007
CN	3615603D	2/2007
CN	3621245D	3/2007
CN	3634314D	4/2007
CN	3646242D	5/2007
CN	3660093D	6/2007
CN	3665655D	7/2007
CN	200730131203.5	1/2008
JP	30-0452305	6/2007
JP	D1312270	10/2007
JP	D1313431	10/2007
JP	D1313439	10/2007

OTHER PUBLICATIONS

- U.S. Appl. No. 29/281,763, Andre et al., Electronic Device, filed Jun. 29, 2007.
- U.S. Appl. No. 29/286,504, Andre et al., Electronic Device, filed May 8, 2007.
- U.S. Appl. No. 29/284,186, Andre et al., Electronic Device, filed Aug. 31, 2007.
- U.S. Appl. No. 29/284,189, Andre et al., Electronic Device, filed Aug. 31, 2007.
- U.S. Appl. No. 29/284,273, Andre et al., Electronic Device, filed Sep. 5, 2007.
- U.S. Appl. No. 29/284,274, Andre et al., Electronic Device, filed Sep. 5, 2007.
- U.S. Appl. No. 29/284,275, Andre et al., Electronic Device, filed Sep. 5, 2007.
- U.S. Appl. No. 29/284,291, Andre et al., Electronic Device, filed Sep. 5, 2007.
- U.S. Appl. No. 29/284,320, Andre et al., Electronic Device, filed Sep. 5, 2007.
- U.S. Appl. No. 29/284,325, Andre et al., Electronic Device, filed Sep. 5, 2007.
- U.S. Appl. No. 29/326,065, Andre et al., Electronic Device, filed Oct. 10, 2007.

* cited by examiner

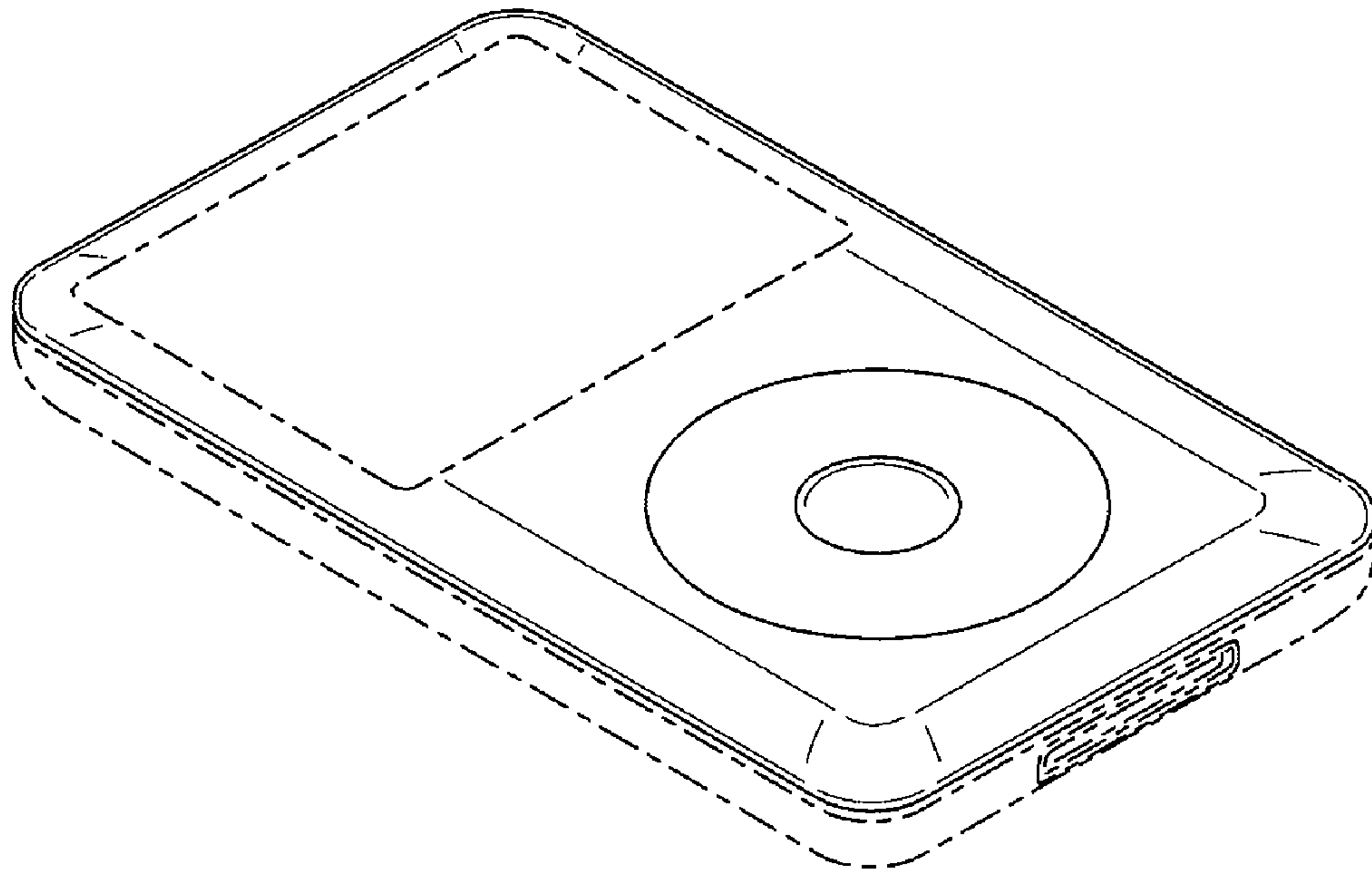


FIG. 1

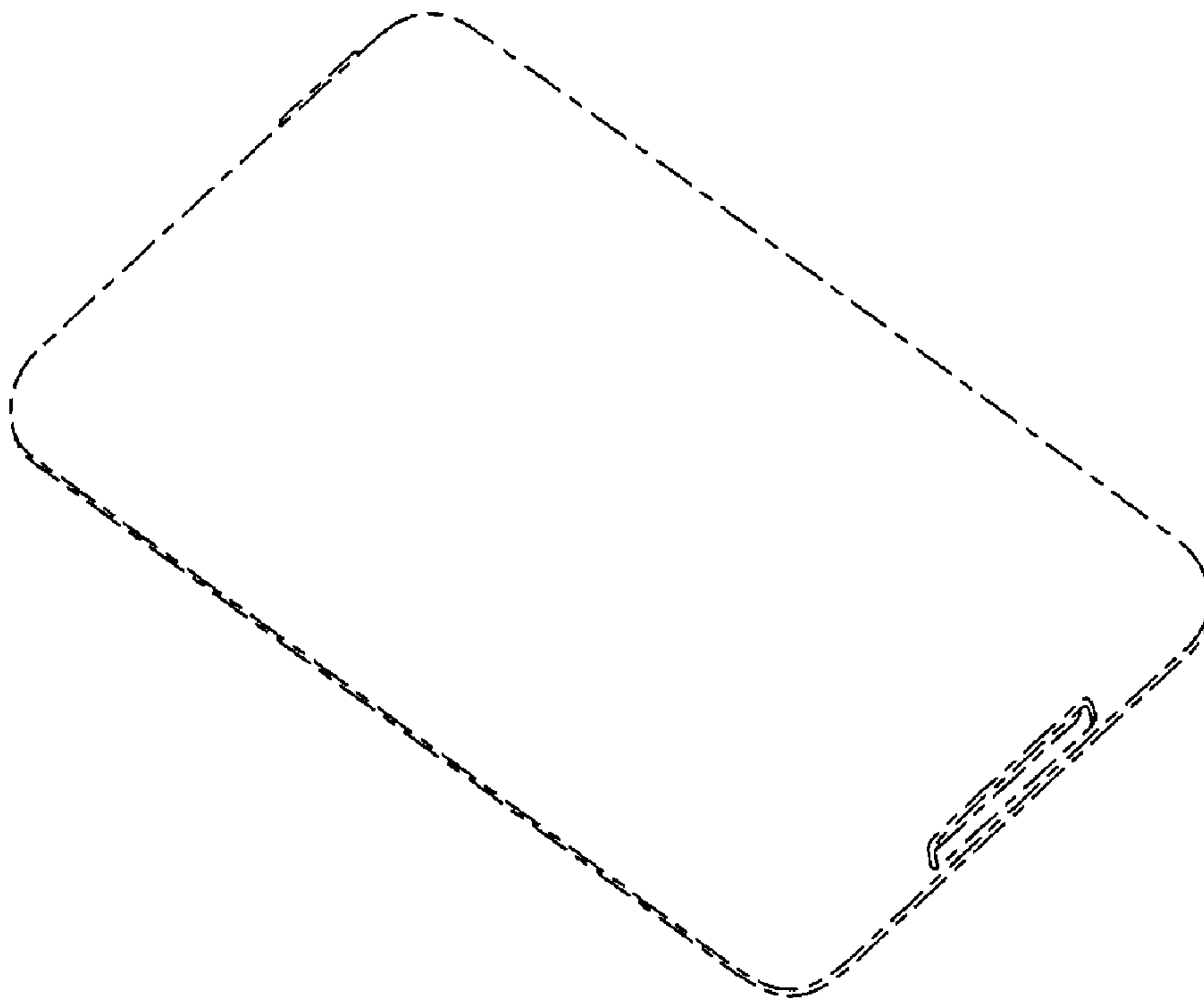


FIG. 2

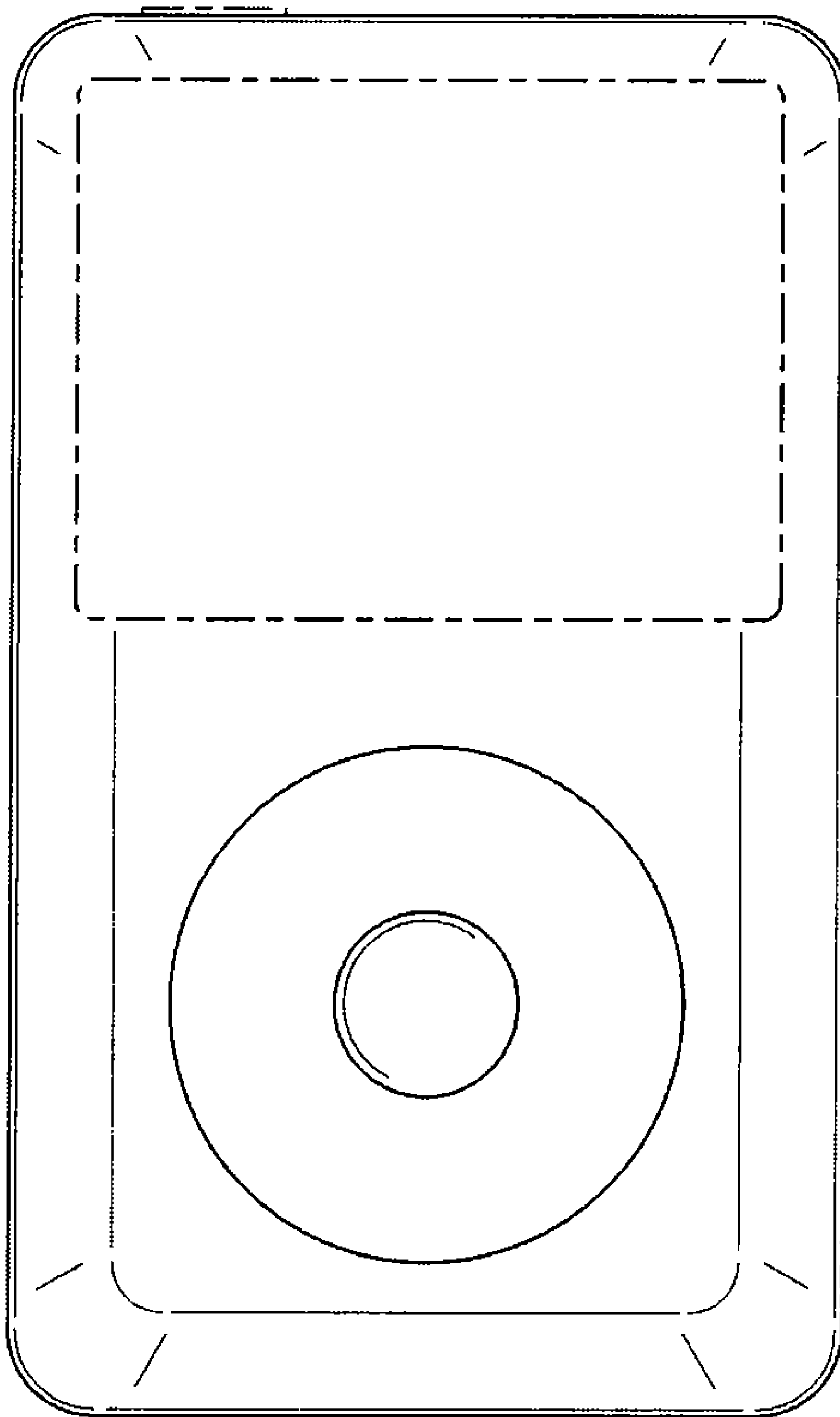


FIG. 3

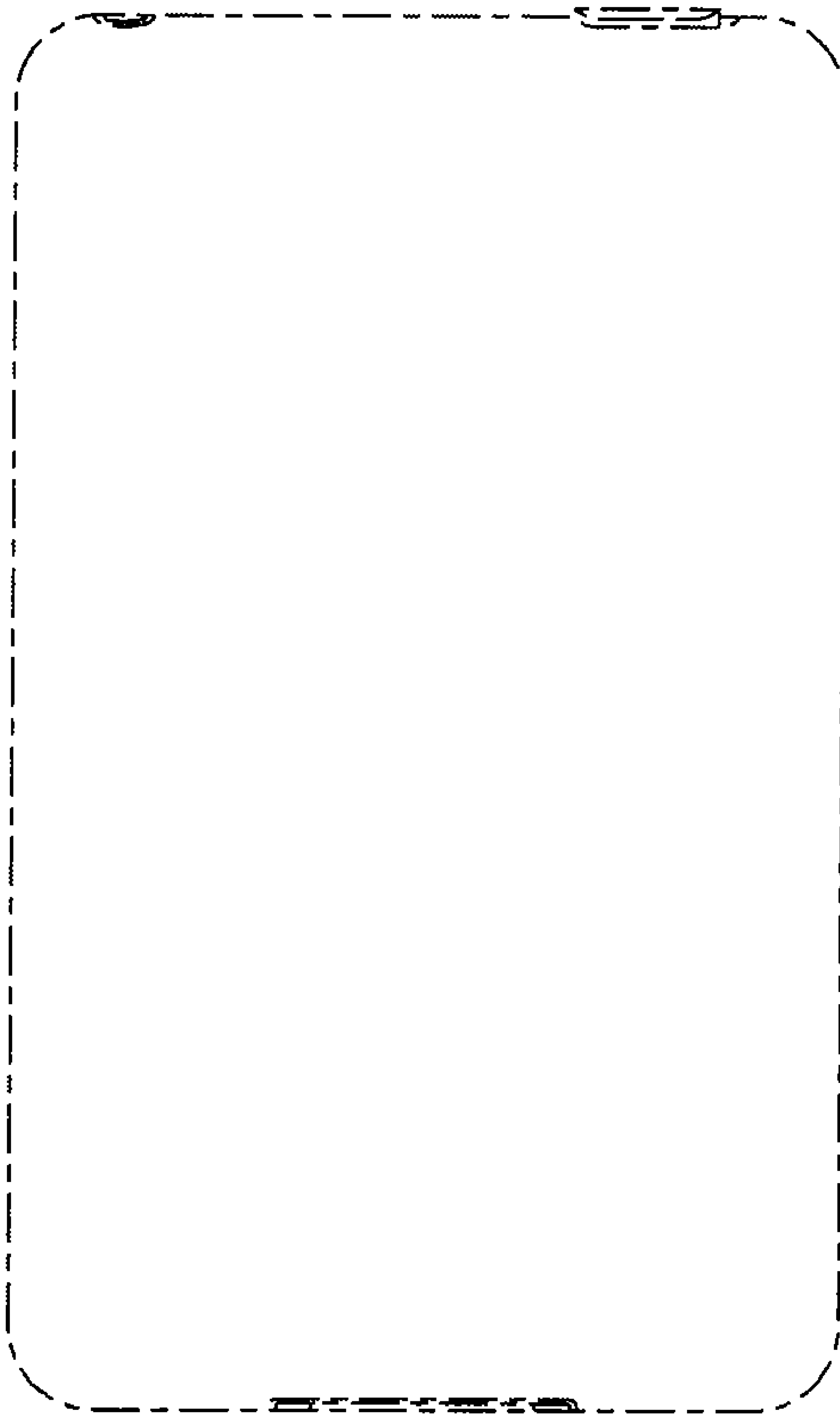


FIG. 4

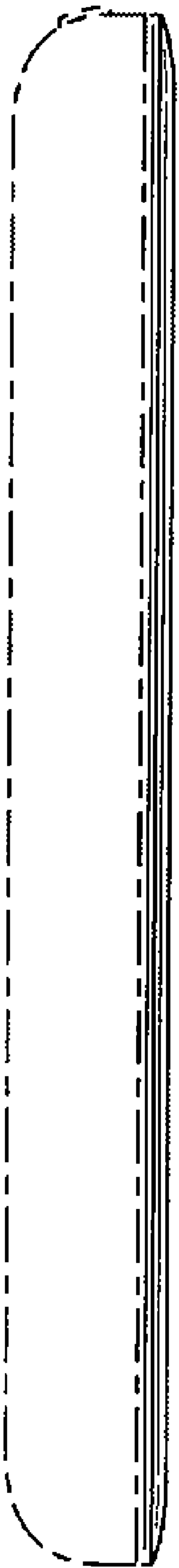


FIG. 5

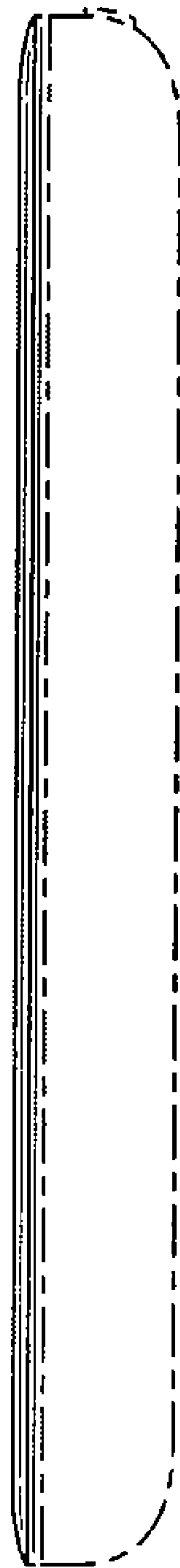


FIG. 6

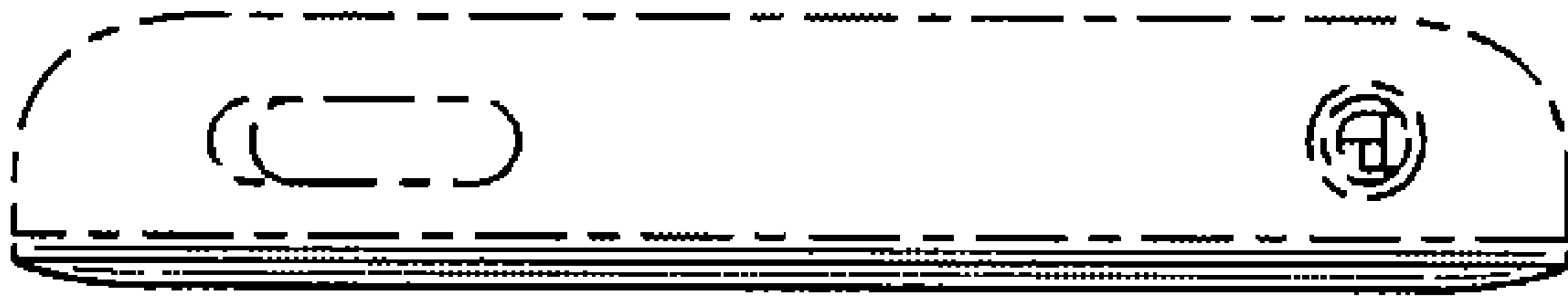


FIG. 7

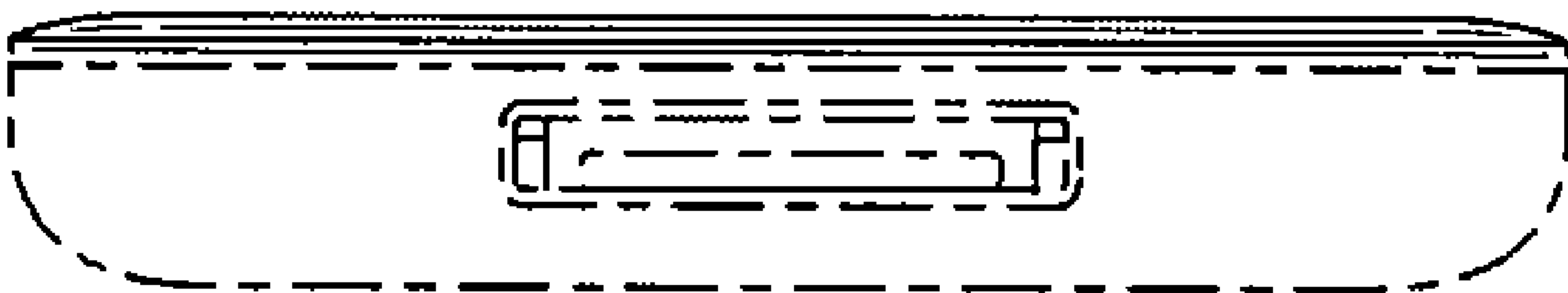


FIG. 8

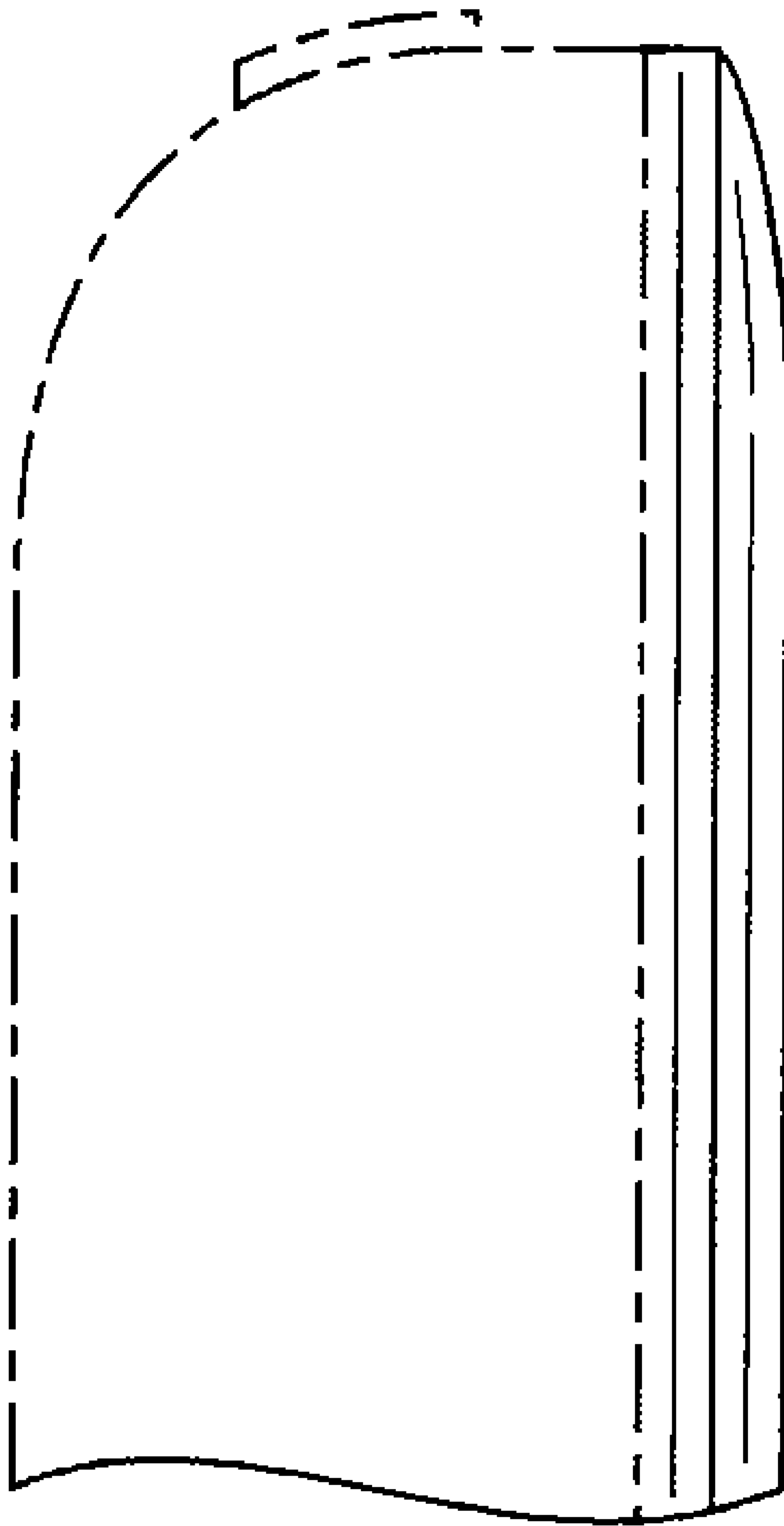


FIG. 9

UNITED STATES PATENT AND TRADEMARK OFFICE
CERTIFICATE OF CORRECTION

PATENT NO. : D606,965 S
APPLICATION NO. : 29/284270
DATED : December 29, 2009
INVENTOR(S) : Bartley K. Andre et al.

Page 1 of 4

It is certified that error appears in the above-identified patent and that said Letters Patent is hereby corrected as shown below:

The title page showing the illustrative figure should be deleted to be replaced with the attached title page.

In the drawing sheets, consisting of Figs. 1 and 3, should be deleted to be replaced with the drawing sheets, consisting of Figs. 1 and 3, as shown on the attached pages.

Signed and Sealed this
Twenty-sixth Day of June, 2012



David J. Kappos
Director of the United States Patent and Trademark Office

(12) **United States Design Patent**
Andre et al.

(10) **Patent No.:** **US D606,965 S**
(45) **Date of Patent:** **** *Dec. 29, 2009**

(54) **ELECTRONIC DEVICE**

(75) Inventors: **Bartley K. Andre**, Menlo Park, CA (US); **Daniel J. Coster**, San Francisco, CA (US); **Dantele De Iullis**, San Francisco, CA (US); **Richard P. Howarth**, San Francisco, CA (US); **Jonathan P. Ive**, San Francisco, CA (US); **Steve Jobs**, Palo Alto, CA (US); **Duncan Robert Kerr**, San Francisco, CA (US); **Shin Nishibori**, San Francisco, CA (US); **Matthew Dean Rohrbach**, San Francisco, CA (US); **Peter Russell-Clarke**, San Francisco, CA (US); **Douglas B. Satzger**, Menlo Park, CA (US); **Calvin Q. Seid**, Palo Alto, CA (US); **Vincent Keane Seid**, legal representative, Los Gatos, CA (US); **Christopher J. Stringer**, Portola Valley, CA (US); **Eugene Antony Whang**, San Francisco, CA (US); **Rico Zorkendorfer**, San Francisco, CA (US)

(73) Assignee: **Apple Inc.**, Cupertino, CA (US)

(*) Notice: This patent is subject to a terminal disclaimer.

(**) Term: **14 Years**

(21) Appl. No.: **29/284,270**

(22) Filed: **Sep. 4, 2007**

(51) **LOC (9) Cl.** **14-03**

(52) **U.S. Cl.** **D14/203.7; D14/496; D14/203.3**

(58) **Field of Classification Search** **D14/496, D14/401, 435, 474, 483, 217, 137, 138, 160, D14/168, 356, 203.1-203.8, 507; 345/156, 345/169, 173-179, 905; 715/727-729, 864; 710/1, 5, 8; 713/1, 600; 455/1.1, 1.7, 73, 455/344-347, 93, 95, 3.01-3.06, 550.1, 573.1; 370/342-344; 369/1, 2, 6-12; 463/43-47; 273/148 B**

See application file for complete search history.

(56) **References Cited**

U.S. PATENT DOCUMENTS

D425,885 S 5/2000 Amron
(Continued)

FOREIGN PATENT DOCUMENTS

CN 3260632D 10/2002
(Continued)

OTHER PUBLICATIONS

"Microsoft Launches the Zune!", Engadget.com (on line) (c) 2006, retrieved on Mar. 28, 2008, URL: <http://www.engadget.com/2006/09/14/microsoft-launches-the-zune/>, 7 pages.

(Continued)

Primary Examiner—Prabhakar Deshmukh
(74) *Attorney, Agent, or Firm*—Sterne, Kessler, Goldstein & Fox P.L.L.C.

(57) **CLAIM**

The ornamental design for an electronic device, as shown and described.

DESCRIPTION

FIG. 1 is a front perspective view of an electronic device showing our new design;

FIG. 2 is a rear perspective thereof;

FIG. 3 is a front view thereof;

FIG. 4 is a rear view thereof;

FIG. 5 is a left side view thereof;

FIG. 6 is right side view thereof;

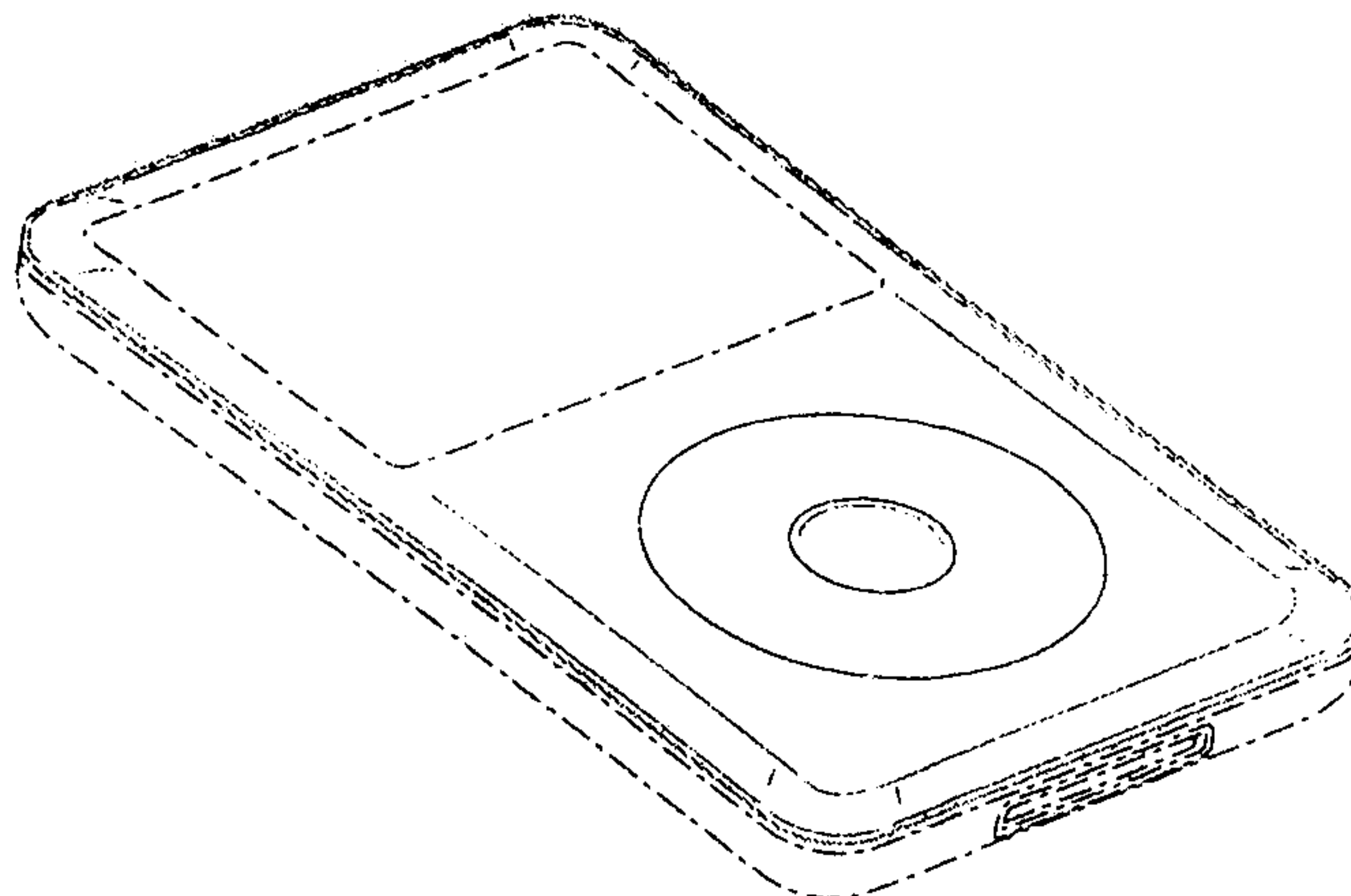
FIG. 7 is a top plan view thereof;

FIG. 8 is a bottom plan view thereof; and,

FIG. 9 is an enlarged elevational view of a representative corner of the electronic device.

The broken lines show portions of the electronic device which form no part of the claimed design.

1 Claim, 6 Drawing Sheets



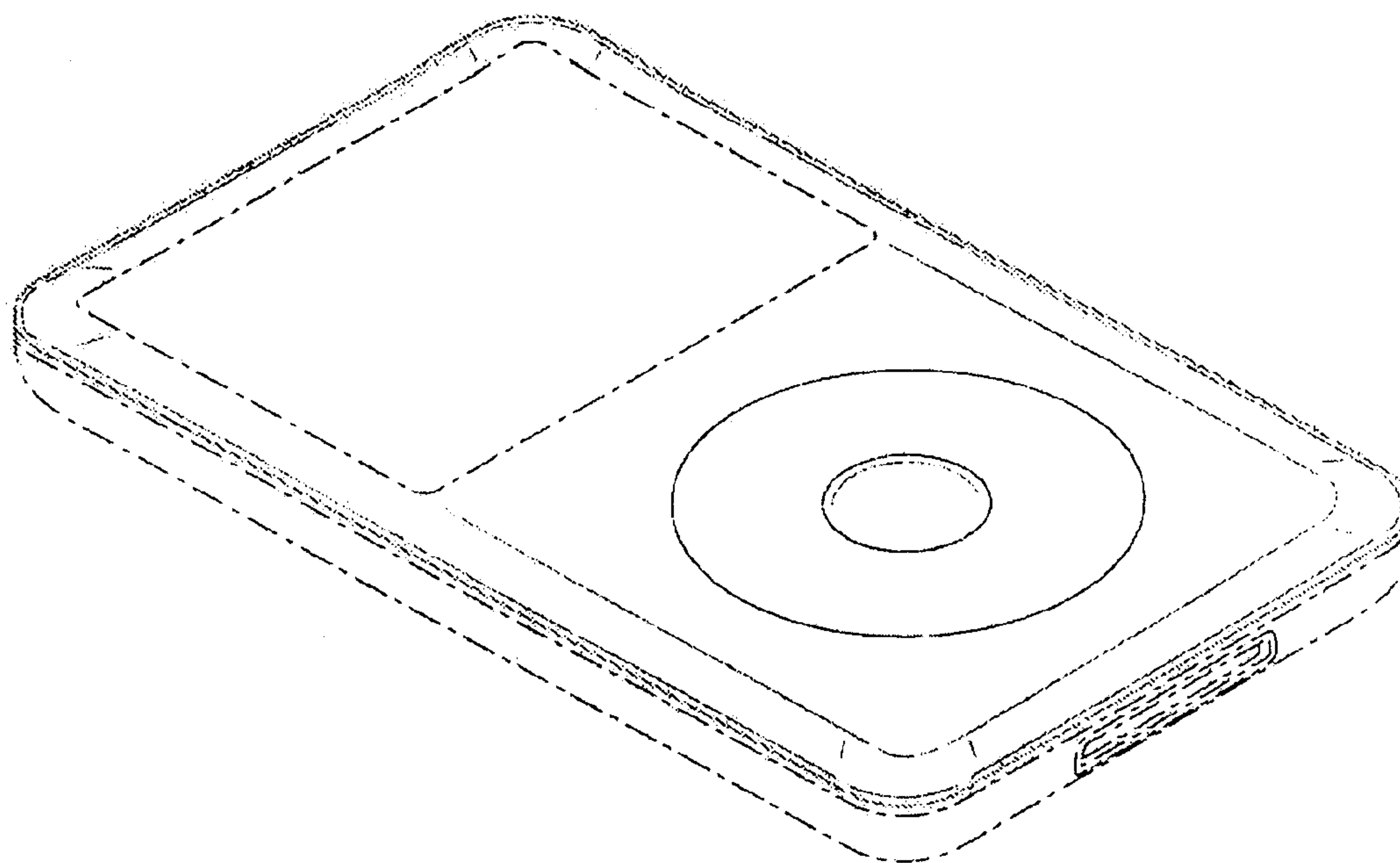


FIG. 1

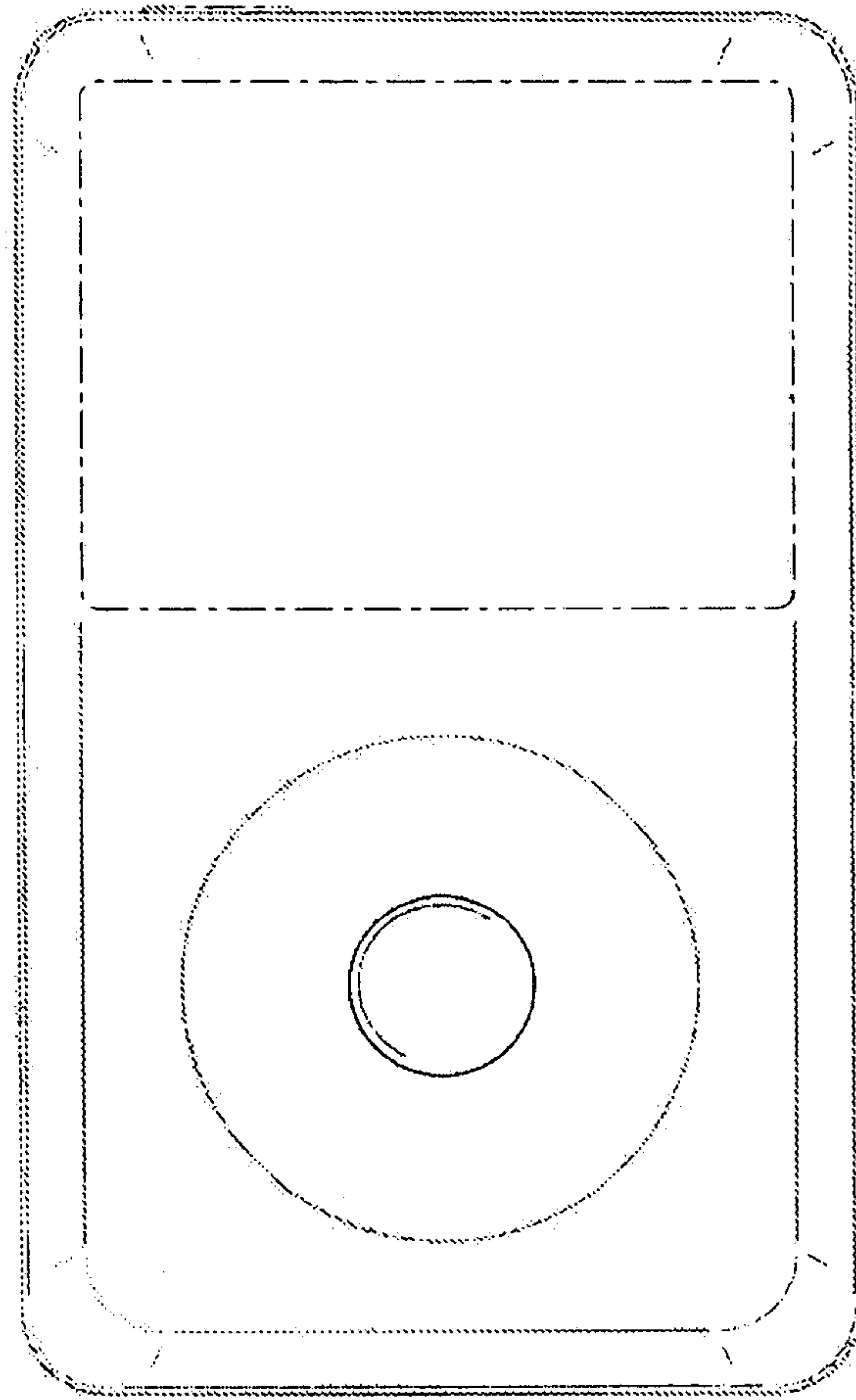


FIG. 3